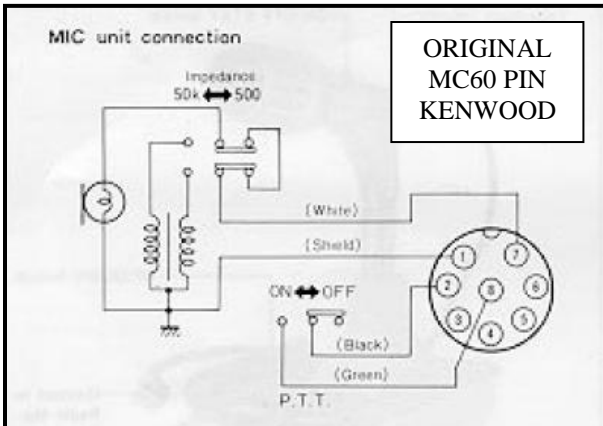


KENWOOD MC60 TO YAESU FTdx3000d MIC PIN

Simple personal MIC adapter – Franco HB9oab

<http://www.wlog2000.com>

CABLE CONNECTION ORIGINAL



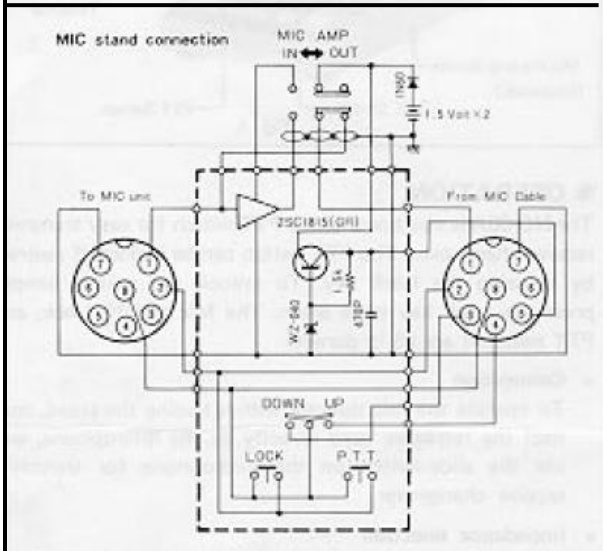
ORIGINAL
MC60 PIN
KENWOOD

CABLE CONNECTION TO YAESU FTdx3000

FOR TO USING ON FTdx3000
MIC TO UNIT CONNECTION SWITCH
IMPEDANCE to 50KOhm

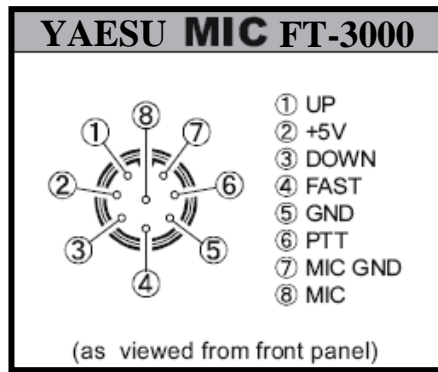
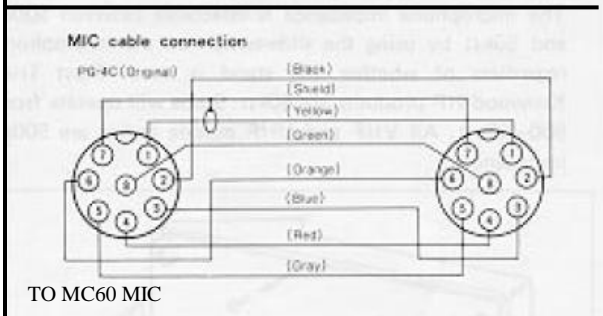
MIC STAND CONFIGURATION

SWITCH [MIC AMP] TO [IN]
USE YAESU PIN 2 TO EXT.POWER
(The amplifier draw approximately 1ma.)



AND CREATE A NEW CABLE CONNECTION

TO MC60 KENWOOD PIN SIDE	TO YAESU PIN SIDE	YAESU PIN IN USE FOR	NOTE
1	8	MIC	
2	6	PTT	
3	3	DW	
4	1	UP	
5	2	EXT.PWR +	
6	NONE	4 NOT USED	FAST
7	7	GND MIC	
8	5	GND	



SET FT3000 PROC/MICgain = ON (30-40) MC60 MICAMP = OUT (OFF) MC 60 IMPEDANCE = 50K

The setup of the MIC EQ is very personal and depends on our voice:

159 300	162 1500	165 2500	168 200	171 800	174 2100
160 5	163 4	166 5	169 -3	172 0	175 5
161 6	164 3	167 3	170 2	173 1	176 1

The best setup I'll have to check them soon!!

Is very interesting configuration option separate PROCESSOR ON & OFF independently!
When I speak ("ooollaaa"), the modulation takes the output on my FTdx3000d and any wattmeter (MT3000 or SX1000 and BIRD...), between as 50w and 90w, with a good audio response and good power.

Franco HB9oab, 21.02.2013
HomePage: <http://www.wlog2000.com>
Email: hb9oab@amsat.org