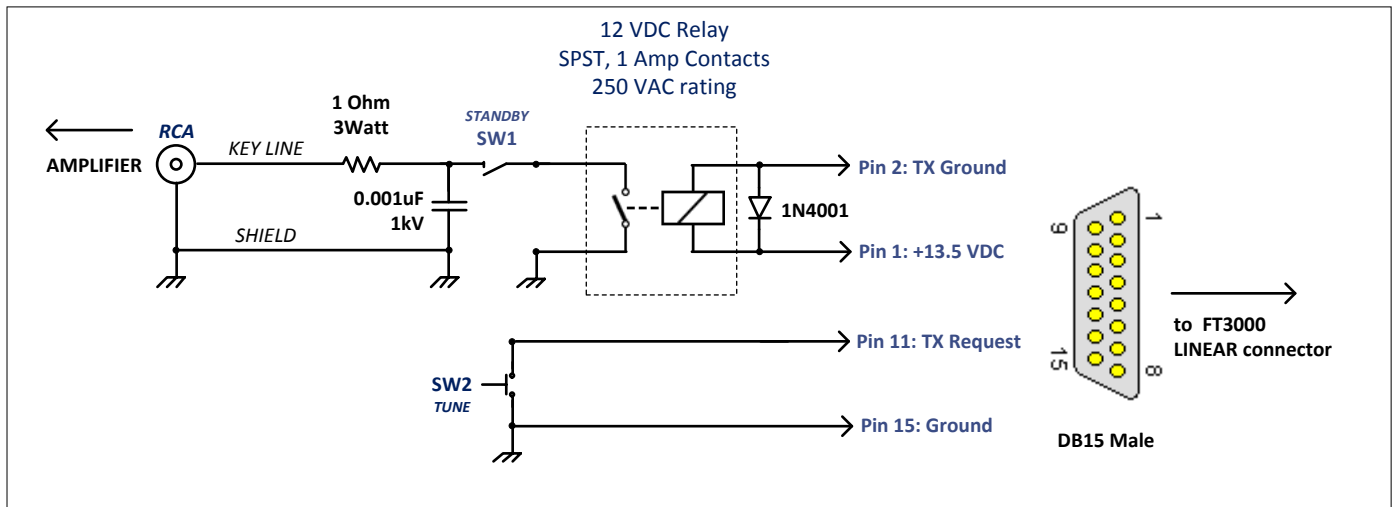


Amplifier Keying & External Automatic Antenna Tuner Circuit for YAESU FTDX-3000 HF radio

JY9FC (E78A)



- Design adopted from the circuit made by **KK5DR** for ICOM radios. This circuit isolates the high voltage if present on amplifier keying line (vintage tube amplifier) from the rig and shares only a common ground.
- SW1 is Amplifier Standby switch for amplifiers without one, such as Collins 30-L1.
- SW2 is momentary switch or push button. When pressed it sends TX CW carrier with preset power from the radio (*FTDX3000 MENU # 178, CHOICE 10/20/50/100 W*). Used to initially tune the amplifier with low power or to start tuning sequence for variety of external automatic antenna tuners.
- Design can be adopted for any other brand of HF radio.

