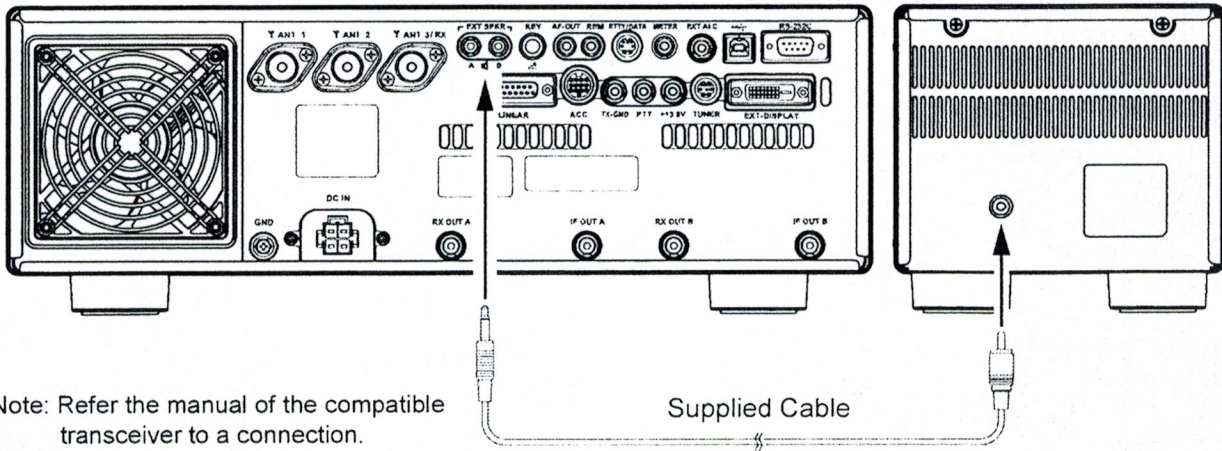


SP-101 External Speaker

Installation

Connect the supplied cable between the "EXT SPKR" jack on the transceiver and "RCA" jack on the SP-101.



Note: Refer the manual of the compatible transceiver to a connection.

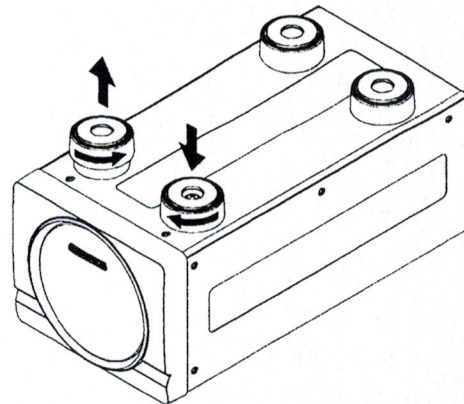
Adjusting the Front Legs

Extended Legs

Pull the front legs outward from the bottom panel, and then rotate the legs counter-clockwise to lock them in the extended position.

Retracted Legs

Rotate the legs clockwise, and push them inward. The front feet should



Specifications

Frequency Range: 200 - 18000 Hz

Speaker Diameter: 100 mm

Maximum input: 7 watts

Impedance: 8 ohms

Case Size (WxHxD): 6.29" x 5.12" x 12.68"
(160 x 130 x 322 mm)

Weight (approx.): 4.4 lbs (2 kg)

Safety Precautions (Be Sure to Read)

Be sure to read the safety precautions of Operating Manual of the compatible transceiver to use this product safely.

Disposal of your Electronic and Electric Equipment

Products with the symbol (crossed-out wheeled bin) cannot be disposed as household waste.

Electronic and Electric Equipment should be recycled at a facility capable of handling these items and their waste by products.

In EU countries, please contact your local equipment supplier representative or service center for information about the waste collection system in your country.



YAESU MUSEN CO., LTD.

Tennozu Parkside Building
2-5-8 Higashi-Shinagawa, Shinagawa-ku, Tokyo 140-0002 Japan

YAESU USA

6125 Phyllis Drive, Cypress, CA 90630, U.S.A.

YAESU UK

1902O-AS

