

HF/50 MHz TRANSCEIVER

FTDX101MP FTDX101D

EH068H90A

©2020 YAESU MUSEN CO., LTD.

Introduction

This manual provides the technical information necessary for servicing the FTDX101MP, FTDX101D HF/50 MHz TRANSCEIVER.

Servicing this equipment requires expertise in handling surface-mount chip components. Attempts by non-qualified persons to service this equipment may result in permanent damage not covered by the warranty, and may be illegal in some countries.

While we believe the information in this manual to be correct, YAESU assumes no liability for damage that may occur as a result of typographical or other errors that may be present. Your cooperation in pointing out any inconsistencies in the technical information would be appreciated.

Contents

- Specifications
- Exploded View
- Block Diagram
- Alignment
- Board Unit (Schematics, Layouts & Parts)
 - MAIN Unit
 - RX-1 Unit
 - RX-2 Unit
 - AF Unit
 - VCT Unit
 - VCT CNTL Unit
 - PA Unit
 - 200W-PA Unit
 - TUNER Unit
 - 200W-TUNER Unit
 - DISPLAY Unit
 - MEMORY Unit
 - SW-A Unit
 - SW-B Unit
 - SW-C Unit
 - VR Unit
 - ENC-A Unit
 - ENC-B Unit
 - JACK Unit
 - MIC Unit
 - ENC-C Unit

Important Note

This transceiver was assembled using Pb (lead) free solder, based on the RoHS specification.

Only lead-free solder (Alloy Composition: Sn-3.0Ag-0.5Cu) should be used for repairs performed on this apparatus. The solder stated above utilizes the alloy composition required for compliance with the lead-free specification, and any solder with the above alloy composition may be used.

General

Tx Frequency Ranges:	1.8 MHz - 54 MHz (Amateur bands only) 70 MHz - 70.5 MHz (UK Amateur bands only)
Rx Frequency Range:	30 kHz - 75 MHz (operating) 1.8 MHz - 29.699999 MHz (specified performance, Amateur bands only) 50 MHz - 53.999999 MHz (specified performance, Amateur bands only) 70 MHz - 70.499999 MHz (specified performance, UK Amateur bands only)
Emission Modes:	A1A (CW), A3E (AM), J3E (LSB, USB), F3E (FM), F1B (RTTY), G1B (PSK31)
Frequency Steps:	1/5/10 Hz (SSB, CW), 10/100 Hz (AM, FM)
Antenna Impedance:	50 Ohms, unbalanced (Antenna Tuner OFF) 16.7 - 150 Ohms, unbalanced (Tuner ON, 1.8 MHz - 29.7 MHz Amateur bands) 25 - 100 Ohms, unbalanced (Tuner ON, 50 MHz Amateur band)
Operating Temperature Range:	+32 °F to +122 °F (0 °C to +50 °C)
Frequency Stability:	±0.1 ppm (after 1 minute @+14 °F to +140 °F [-10 °C to +60 °C])
Supply Voltage:	AC 100 V/200 V (FTDX101MP) DC 13.8 V ± 10% (Negative Ground)(FTDX101D)
Power Consumption (Approx.):	Rx (no signal) 100VA (FTDX101MP) 3.5 A (FTDX101D) Rx (signal present) 120VA (FTDX101MP) 4 A (FTDX101D) Tx 720VA (FTDX101MP: 200 W) 23 A (FTDX101D: 100 W)
Dimensions (WxHxD):	16.6" x 5.1" x 12.7" (420 x 130 x 322 mm)
Weight (Approx.):	31.5 lbs (14.3 kg): FTDX101MP 26.5 lbs (12 kg): FTDX101D

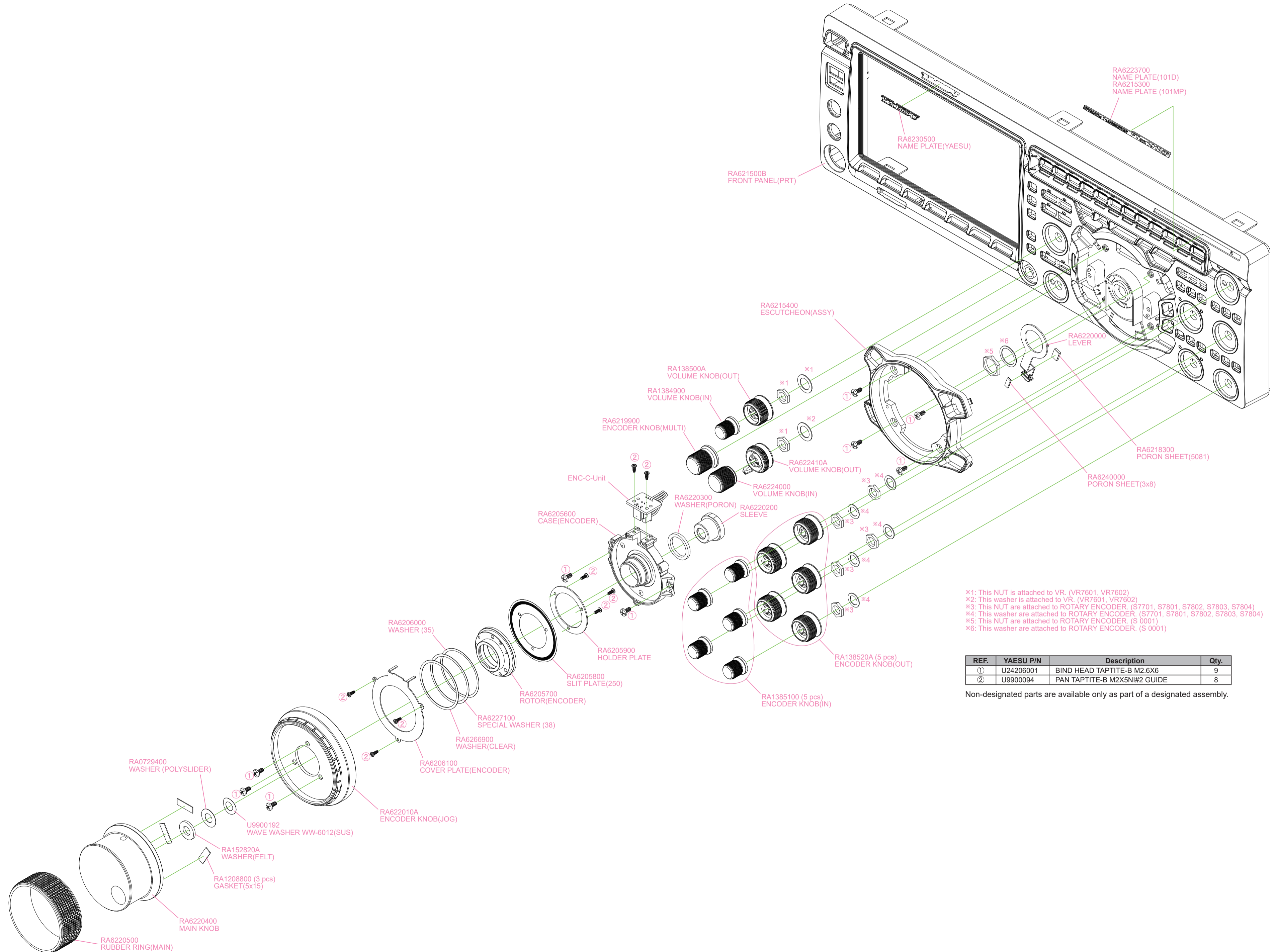
Transmitter

Power Output:	FTDX101MP: 5 - 200 W (5 - 50 W AM carrier) FTDX101D: 5 - 100 watts (5 - 25 W AM carrier)
Modulation Types:	J3E (SSB): Balanced, A3E (AM): Low-Level (Early Stage), F3E (FM): Variable Reactance
Maximum FM Deviation:	±5.0 kHz/±2.5 kHz (Narrow)
Harmonic Radiation:	Better than -50 dB (1.8 MHz - 29.7 MHz Amateur bands) Better than -66 dB (50 MHz Amateur band: 200 W) Better than -63 dB (50 MHz Amateur band: 100 W)
SSB Carrier Suppression:	At least 60 dB below peak output
Undesired Sideband Suppression:	At least 60 dB below peak output
Bandwidth:	3 kHz (LSB/USB), 500 Hz (CW), 6 kHz (AM), 16 kHz (FM)
Audio Response (SSB):	Not more than -6 dB from 300 to 2700 Hz
Microphone Impedance:	600 Ohms (200 to 10 kOhms)

Receiver

Circuit Type:	Double Superheterodyne		
Intermediate Frequencies:	1 st: 9.005 MHz (MAIN), 8.9000 MHz (SUB) 2 nd: 24 kHz (MAIN/SUB)		
Sensitivity:	SSB, CW (BW: 2.4 kHz, 10 dB S+N/N) 1.8 MHz - 30 MHz 0.16 μ V (AMP2 "ON") 50 MHz - 54 MHz 0.125 μ V (AMP 2 "ON") 70 MHz - 70.5 MHz 0.16 μ V (AMP 2 "ON") AM (BW: 6 kHz, 10 dB S+N/N, 30 % modulation @400 Hz) 0.5 MHz - 1.8 MHz 6.3 μ V 1.8 MHz - 30 MHz 2 μ V (AMP 2 "ON") 50 MHz - 54 MHz 1 μ V (AMP 2 "ON") 70 MHz - 70.5 MHz 2 μ V (AMP 2 "ON") FM (BW: 12 kHz, 12 dB SINAD) 28 - 30 MHz 0.25 μ V (AMP 2 "ON") 50 MHz - 54 MHz 0.2 μ V (AMP 2 "ON") 70 MHz - 70.5 MHz 0.25 μ V (AMP 2 "ON")		
Squelch Snsitivity (TYP):	SSB, CW, AM 2 μ V (1.8 MHz - 30 MHz, 50 MHz - 54 MHz) (AMP2 "ON") FM 0.25 μ V (28 MHz - 30 MHz) (AMP2 "ON") 0.2 μ V (50 MHz - 54 MHz) (AMP2 "ON")		
Selectivity (WIDTH: Center):	Mode	-6 dB	-60 dB
	CW (BW: 0.5 kHz)	0.5 kHz or better	750 Hz or less
	SSB (BW: 2.4 kHz)	2.4 kHz or better	3.6 kHz or less
	AM (BW: 6 kHz)	6 kHz or better	15 kHz or less
	FM (BW: 12 kHz)	15 kHz or better	25 kHz or less
IF Rejection:	60 dB or better (1.8 MHz - 28 MHz Amateur bands, VC-tune "ON") 60 dB or better (50 MHz Amateur band)		
Image Rejection:	70 dB or better (1.8 MHz - 28 MHz Amateur bands) 60 dB or better (50 MHz Amateur band)		
Maximum Audio Output:	2.5 W into 4 Ohms with 10% THD		
Audio Output Impedance:	4 to 16 Ohms (4 Ohms: nominal)		
Conducted Radiation:	Less than 4 nW		

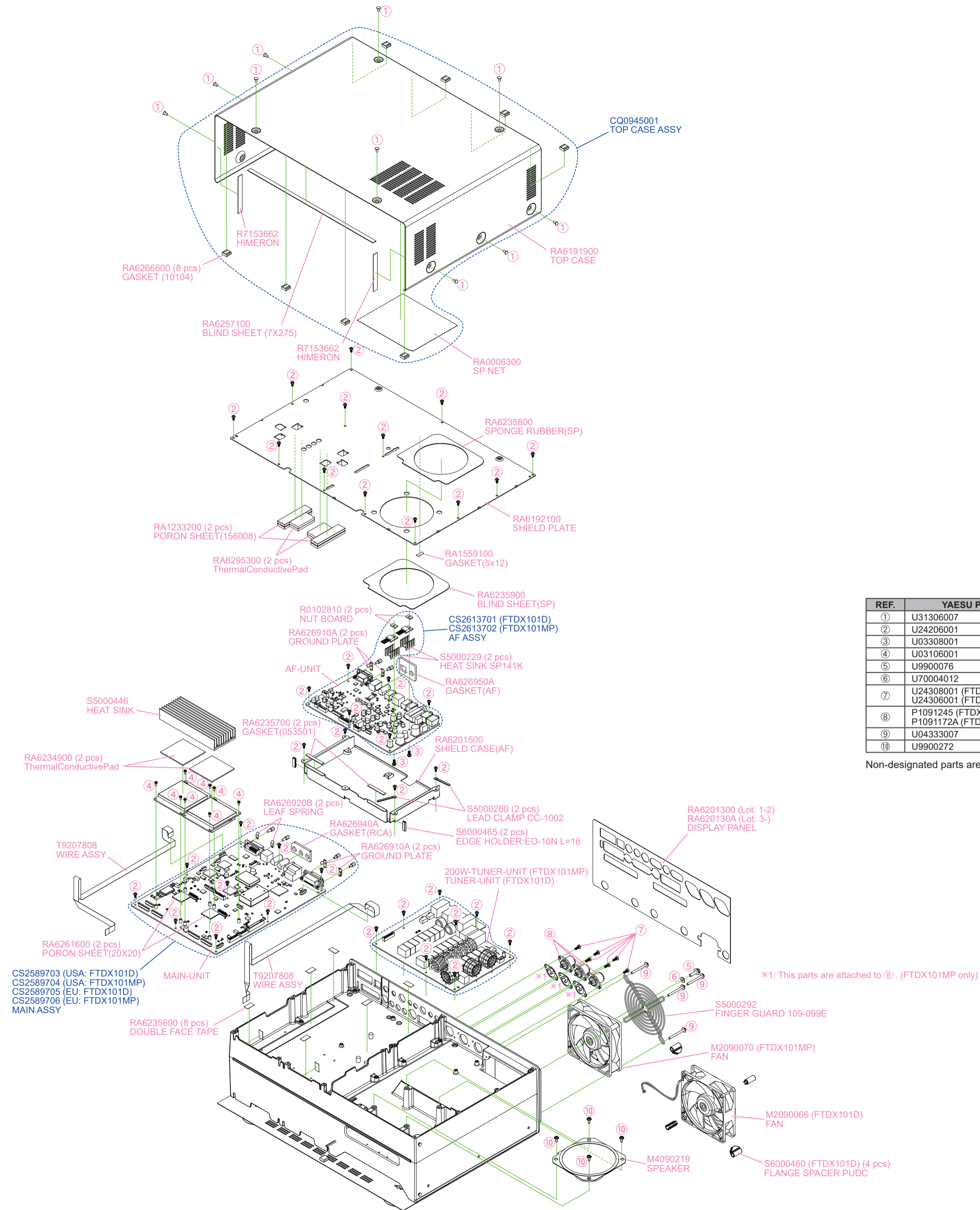
Specifications are subject to change, in the interest of technical improvement, without notice or obligation, and are guaranteed only within the amateur bands.



- ×1: This NUT is attached to VR. (VR7601, VR7602)
- ×2: This washer is attached to VR. (VR7601, VR7602)
- ×3: This NUT are attached to ROTARY ENCODER. (S7701, S7801, S7802, S7803, S7804)
- ×4: This washer are attached to ROTARY ENCODER. (S7701, S7801, S7802, S7803, S7804)
- ×5: This NUT are attached to ROTARY ENCODER. (S 0001)
- ×6: This washer are attached to ROTARY ENCODER. (S 0001)

REF.	YAESU P/N	Description	Qty.
①	U24206001	BIND HEAD TAPTITE-B M2.6X6	9
②	U9900094	PAN TAPTITE-B M2X5N#2 GUIDE	8

Non-designated parts are available only as part of a designated assembly.

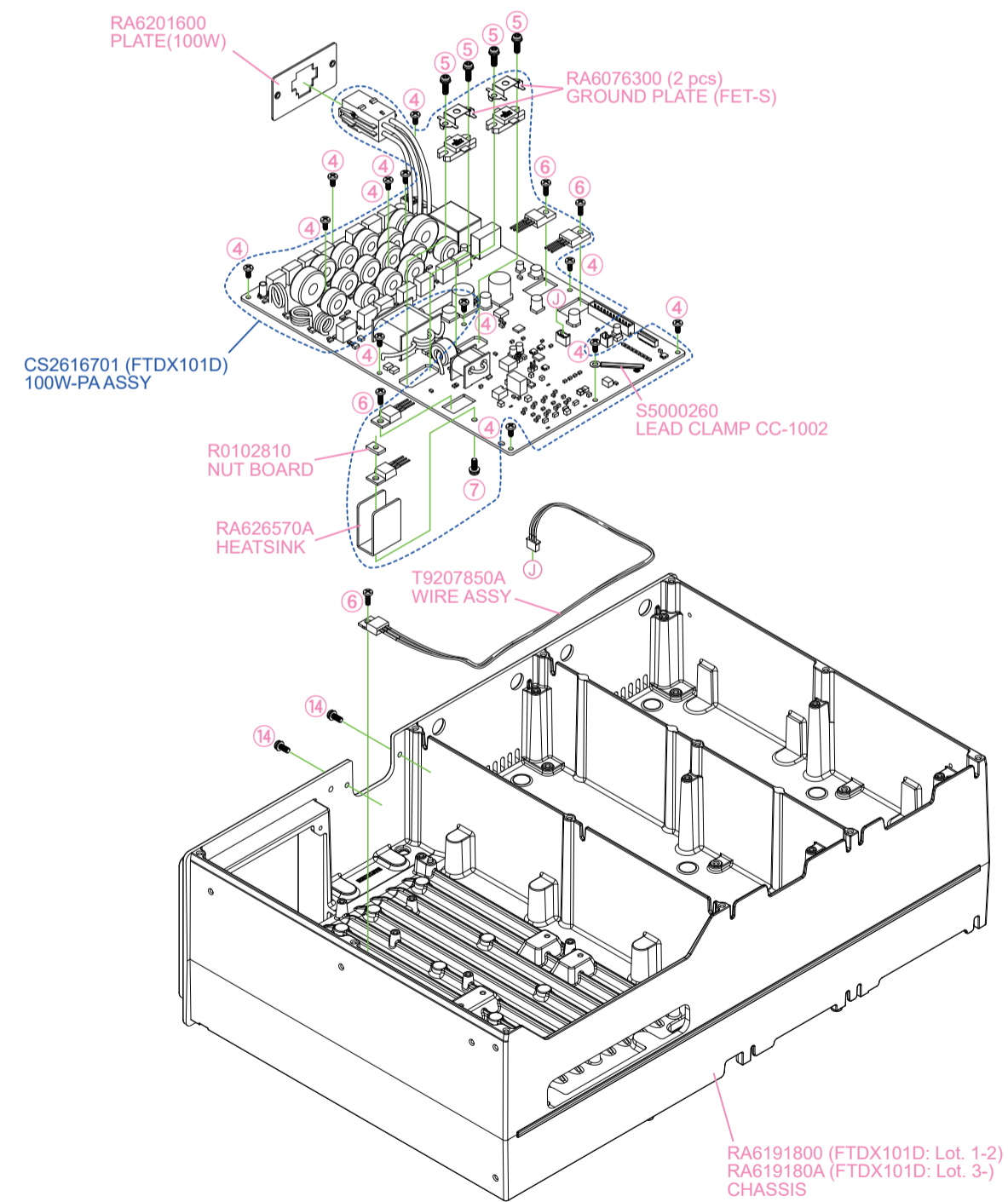


REF.	YAESU P/N	Description	Qty.
①	U31306007	OVAL HEAD SCREW M3X6B	10
②	U24206001	BIND HEAD TAPTITE-B M2.6X6	40
③	U03308001	SEMS SCREW ASM3X8	2
④	U03106001	SEMS SCREW ASM2X6	8
⑤	U9900076	HEX HEAD BOLT HSM4X16NI	1
⑥	U70004012	PLAIN WASHER FW4BSNI	1
⑦	U24308001 (FTDX101MP) U24306001 (FTDX101D)	BIND HEAD TAPTITE-B M3X8 BIND HEAD TAPTITE-B M3X6	6
⑧	P1091245 (FTDX101MP) P1091172A (FTDX101D)	CONNECTOR AH010H CONNECTOR 5UCF05S-P04	3
⑨	U04333007	SEMS SCREW HSM3X33B	4
⑩	U9900272	PAN HEAD TAPTITE-B HM3X8(3)	4

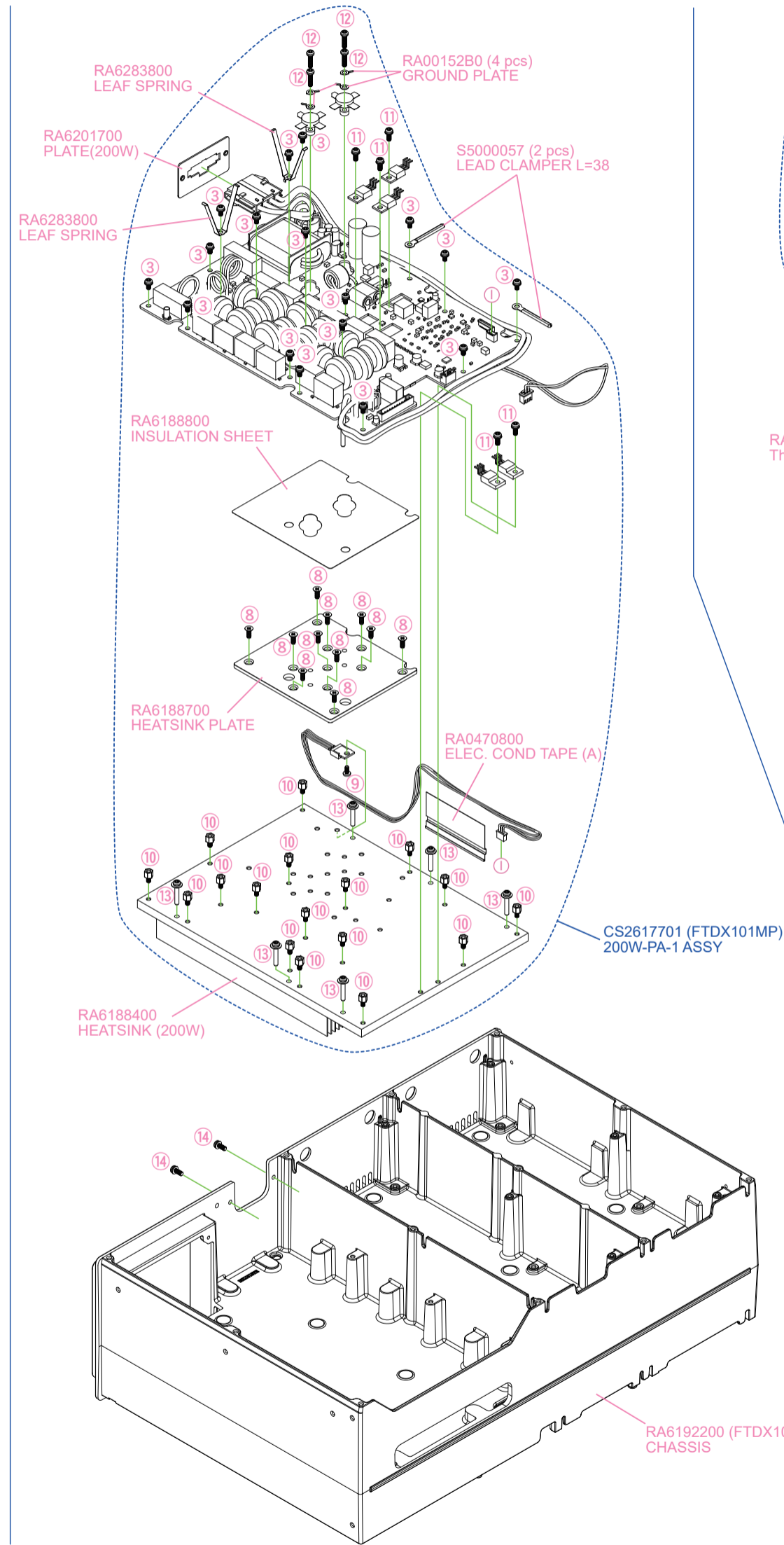
Non-designated parts are available only as part of a designated assembly.

REF.	YAESU P/N	Description	Qty.
①	U24410007	BIND HEAD TAPTITE-B M4X10B	2
②	U9900254	SPECIAL SCREW M4X20B(W/WASHER)	2
③	U03306002 (FTDX101MP)	SEMS SCREW ASM3X6NI	17
④	U24206001	BIND HEAD TAPTITE-B M2.6X6	12 (FTDX101MP) 24 (FTDX101D)
⑤	U03310002 (FTDX101D)	SEMS SCREW ASM3X10NI	4
⑥	U24208007 (FTDX101D)	BIND HEAD TAPTITE-B M2.6X8B	4
⑦	U03308001 (FTDX101D)	SEMS SCREW ASM3X8	1
⑧	U34308001 (FTDX101MP)	FLAT HEAD TAPTITE-B M3X8	11
⑨	U24306001 (FTDX101MP)	BIND HEAD TAPTITE-B M3X6	1
⑩	S5000223 (FTDX101MP)	SPACER QBSB305	17
⑪	U03308002 (FTDX101MP)	SEMS SCREW ASM3X8NI	5
⑫	U02312002 (FTDX101MP)	SEMS SCREW SM3X12NI	4
⑬	U04318002 (FTDX101MP)	SEMS SCREW HSM3X18NI	6
⑭	U03308002	SEMS SCREW ASM3X8NI	2 (FTDX101MP) 2 (FTDX101D)
⑮	U9900272	PAN HEAD TAPTITE-B HM3X8(3)	12 (FTDX101MP) 6 (FTDX101D)
⑯	U31306007	OVAL HEAD SCREW M3X6B	16
⑰	U02106001	SEMS SCREW SM2X6	2 (FTDX101MP) 1 (FTDX101D)
⑱	U72001001	TOOTHED LOCK WASHER OW2	1 (FTDX101D)
⑲	U04306002	SEMS SCREW HSM3X6NI	8 (FTDX101MP) 4 (FTDX101D)

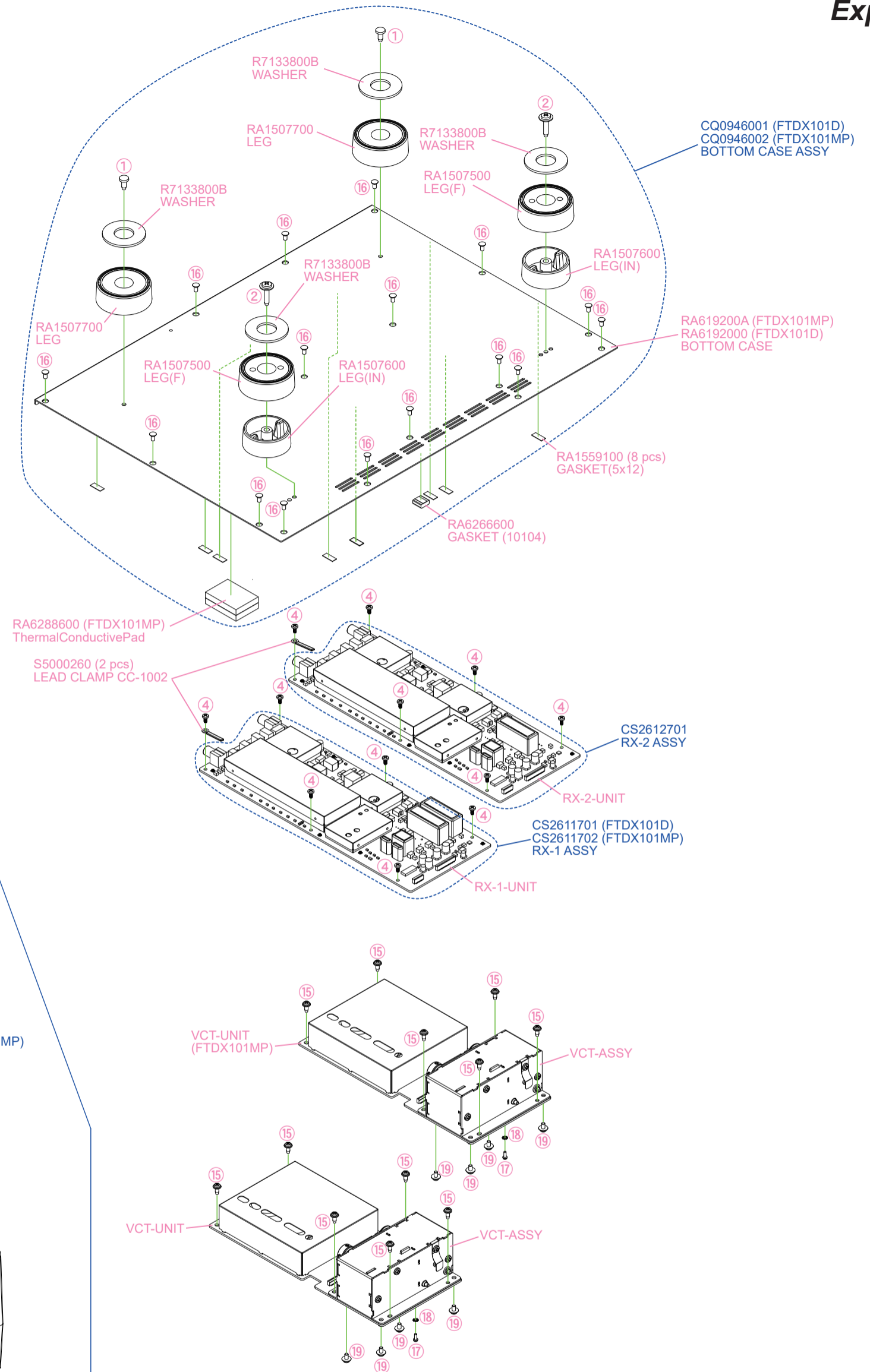
Non-designated parts are available only as part of a designated assembly.



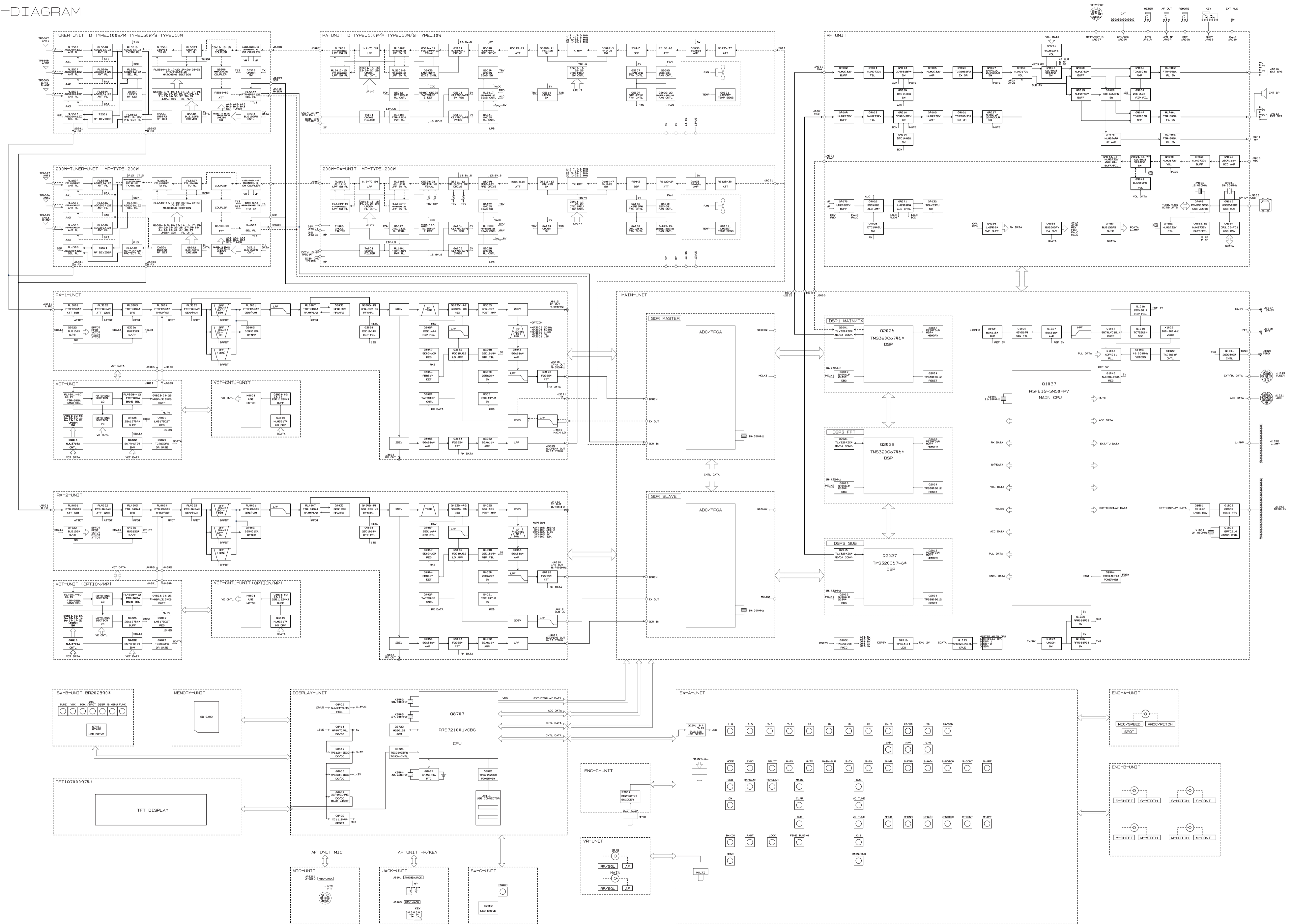
FTDX101D



FTDX101MP



BLOCK-DIAGRAM



BLOCK DIAGRAM-1

Introduction and Precautions

Realignment may be required after the components have been replaced.

We recommend that authorized Yaesu Technicians, who are experienced with the circuitry and fully equipped to align our products, perform alignments.

Those who do undertake any of the following alignments are cautioned to proceed at their own risk. Problems caused by unauthorized attempts at realignment are not covered by the warranty policy.

The need for realignment should be determined to be absolutely necessary.

The following test equipment (and a thorough familiarity with its correct use) is necessary for correct realignment. Most steps do not require all of the equipment listed. The interactions of some adjustments may require that more complex adjustments be performed in a sequence. Do not attempt to perform only a single step unless it is clearly isolated electrically from all other steps. Have all test equipment ready before beginning, and follow all of the steps in a section in the order they are presented.

Required Test Equipment

- RF Signal Generator
- AF Signal Generator
- Spectrum Analyzer good to at least 1 GHz.
- Frequency Counter
- SINAD Meter
- RF Millivoltmeter
- Electronic Load
- Digital DC Voltmeter (high-Z, 1 M-Ohm/V)
- DC Voltmeter
- DC Ammeter (30 A)
- Ohmmeter
- 50-Ohm Dummy Load (100/200 watts)
- In-Line Wattmeter (150/300 watts, 50-Ohm)
- Linear Detector
- RF Coupler
- 4-Ohm AF Dummy Load (3 watts)
- 1/4-inch 3-contact Plug

Important Notice

Do not adjust the alignment menus that are not mentioned in this manual.

Alignment Preparation & Precautions

A 50-ohm RF Dummy load and in-line wattmeter must be connected to the "ANT" jack in all procedures that call for transmission, except where specified otherwise. Correct alignment is not possible with an antenna.

After completing one step, read the following step to determine whether the same test equipment will be required. If not, remove the unneeded test equipment before proceeding. (except the dummy load and wattmeter).

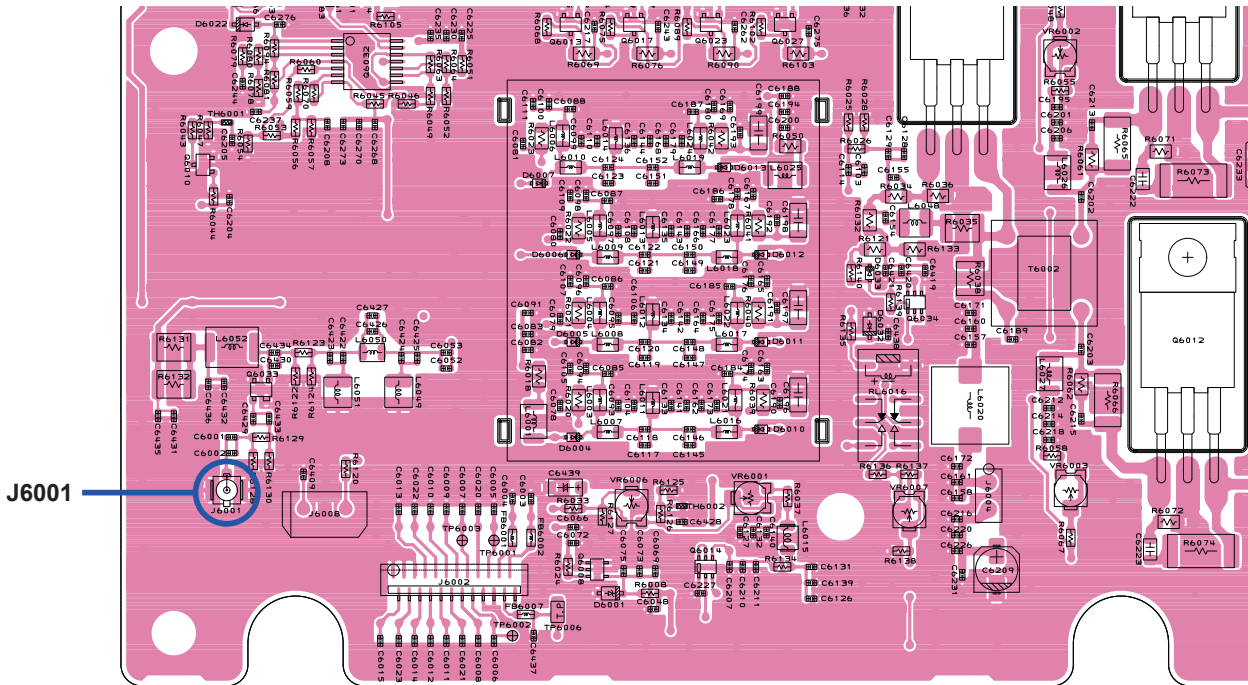
Correct alignment requires that the ambient temperature be maintained constant between 68 °F to 86 °F (20 °C to 30 °C). When the transceiver is brought into the shop from a hot or cold environment, it should be allowed time to come to room temperature before alignment. Also, the test equipment must be thoroughly warmed up before beginning.

Whenever possible, alignments should be made with oscillator shields and circuit boards firmly affixed in place.

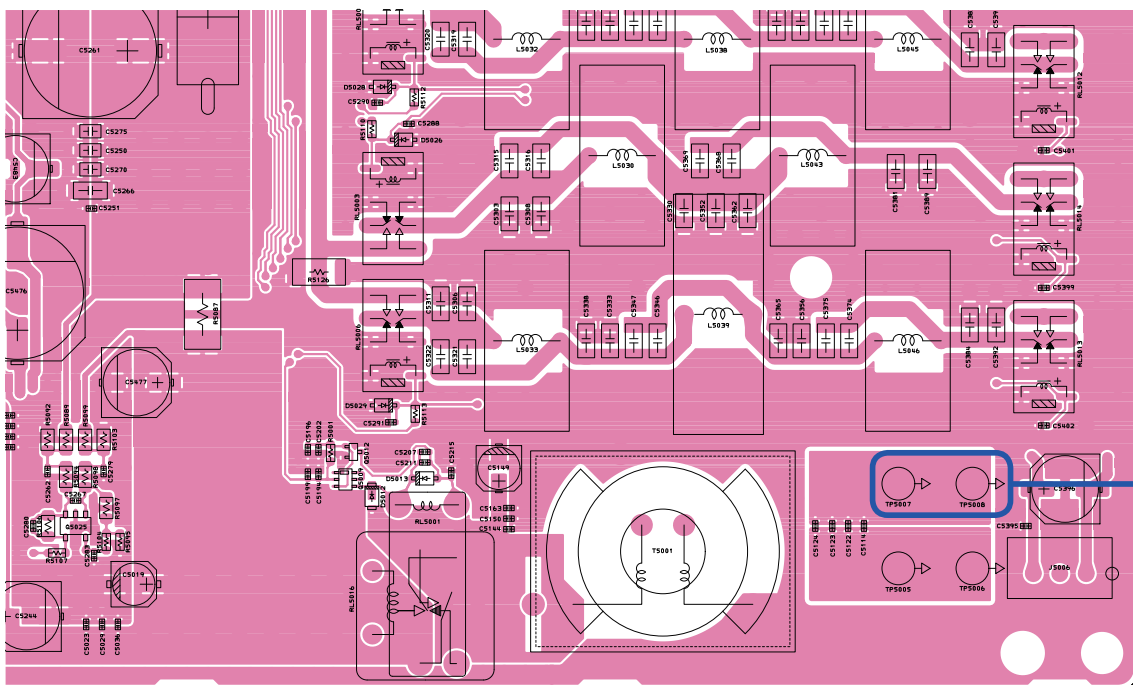
Note: Signal levels in dB referred to in this procedure are based on 0 dB μ = 0.5 μ V (closed circuit).

VDD Meter Adjustment

- ❑ Connect the DC voltmeter to J6001 on the 200W-PA-Unit (FTDX101MP) or TP5005 or TP5006 on the PA-Unit (FTDX101D).
- ❑ Press and hold in the [MODE], [SSB] and [CW] keys, while turning the radio on, to enter the alignment mode.
- ❑ Rotate the [MULTI] knob to select the alignment parameter "1-001 VDD MTR".
- ❑ Press the [MULTI] knob, then rotate the [MPVD] ring so that the VDD meter reading is the same as that reading on the DC voltmeter.
 FTDX101MP: 50.0 V
 FTDX101D: 13.8 V
- ❑ Press and hold in the [S.MENU] button to save the new setting and exit the alignment mode.



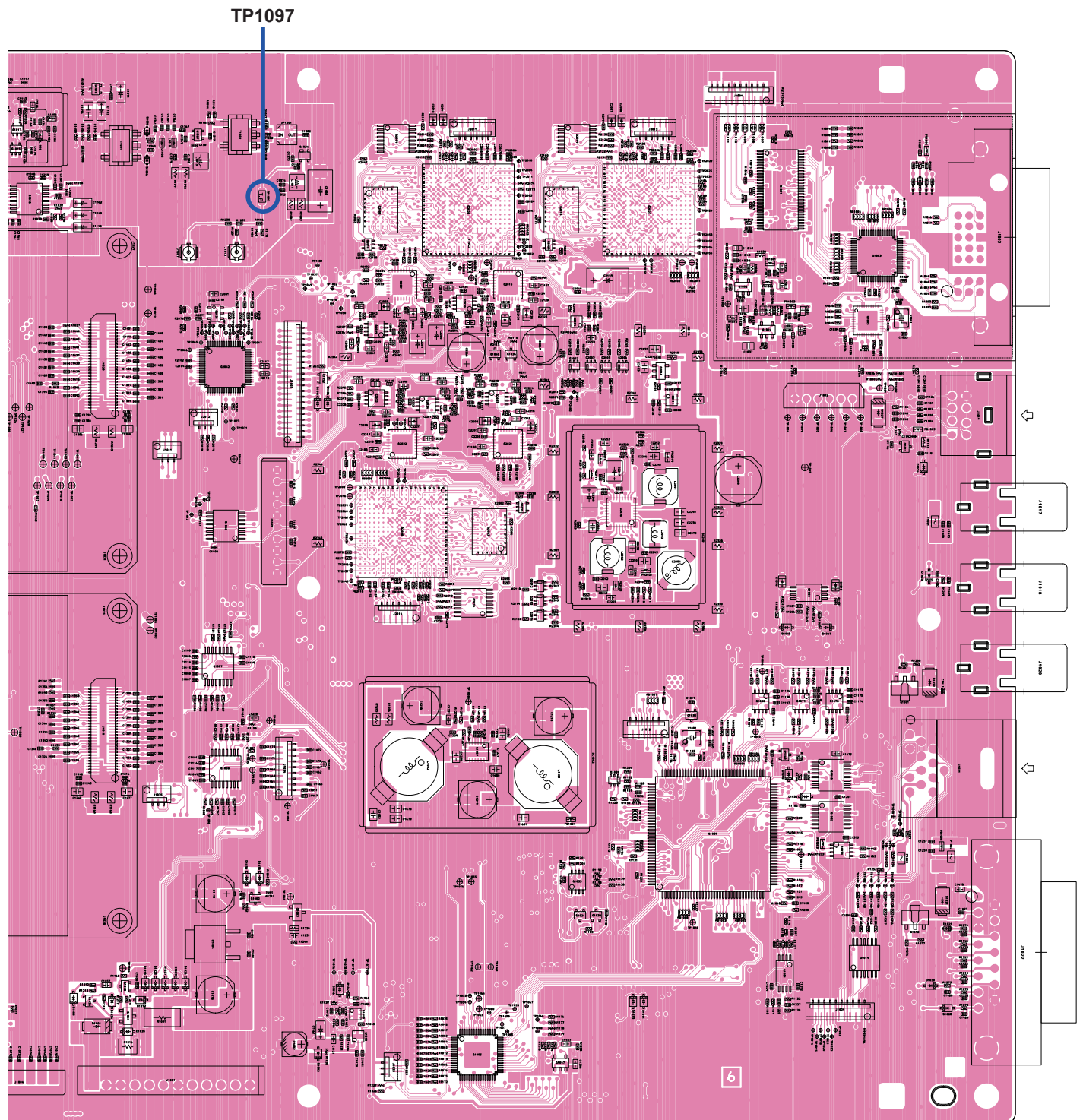
200W-PA Unit Alignment Point (FTDX101MP)



PA Unit Alignment Point (FTDX101D)

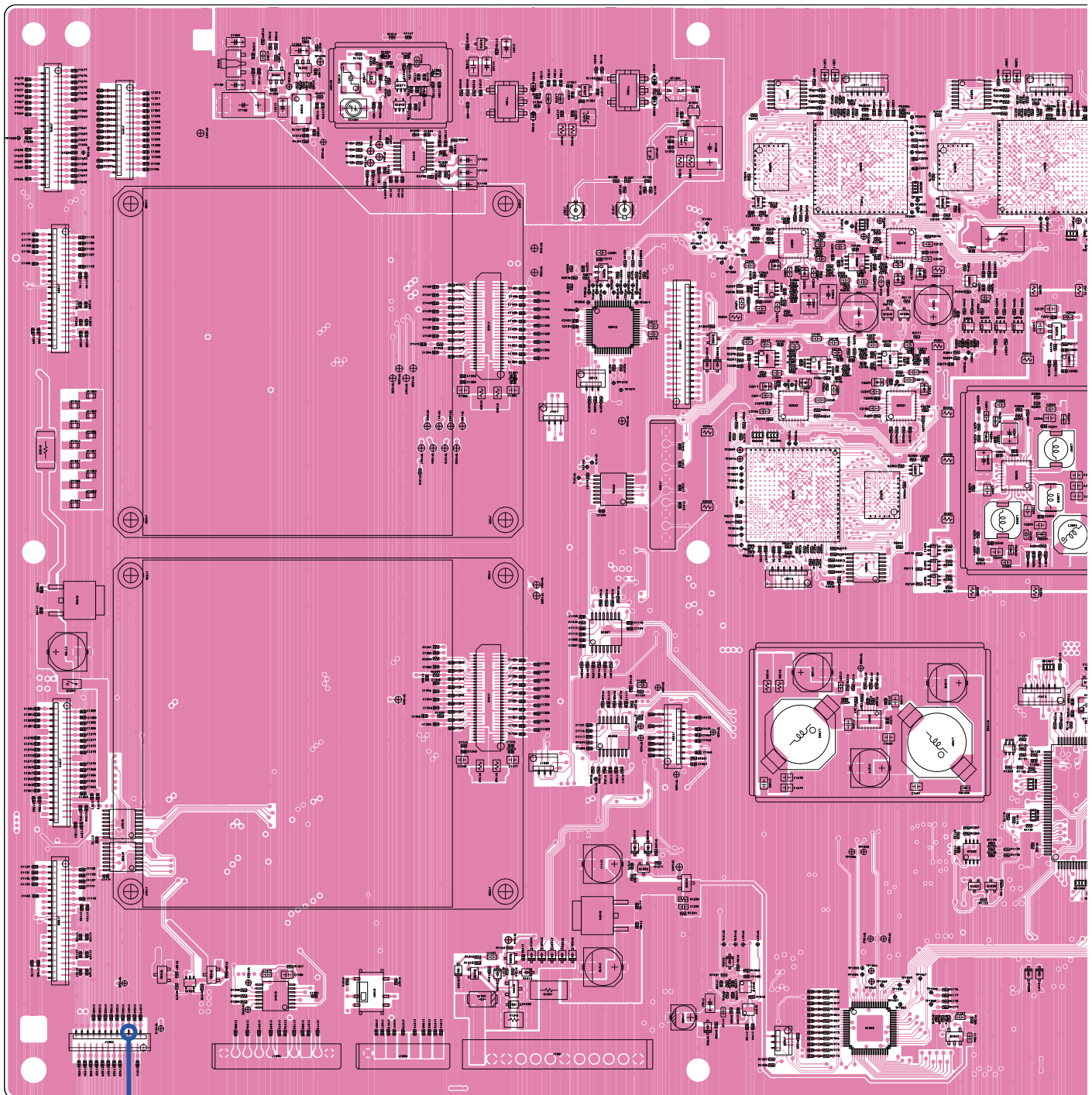
REF OSC Adjustment

- ❑ Connect the frequency counter to TP1097 on the MAIN Unit.
- ❑ Press and hold in the [MODE], [SSB] and [CW] keys, while turning the radio on, to enter the alignment mode.
- ❑ Rotate the [MULTI] knob to select the alignment parameter "1-003 FREQ".
- ❑ Rotate the MAIN DIAL knob so that the frequency counter reading is "400.00000 ±20 Hz".
- ❑ Press and hold in the [S.MENU] button to save the new setting and exit the alignment mode.



TEMP Meter Adjustment

- ❑ Connect the DC voltmeter to pin 6 of J1002 on the MAIN Unit.
- ❑ Press and hold in the [MODE], [SSB] and [CW] keys, while turning the radio on, to enter the alignment mode.
- ❑ Rotate the [MULTI] knob to select the alignment parameter "1-002 TEMP MTR".
- ❑ Press the PTT button, rotate the [MPVD] ring so that the parameter indication "77".
- ❑ Release the PTT button.
- ❑ Press and hold in the [S.MENU] button to save the new setting and exit the alignment mode.



Pin 6 of J1002

Main Receiver Adjustment

MIX balance Adjustment

- ❑ Set the Main Band frequency to 14.200 MHz.
- ❑ Connect the DC voltmeter to TP3007 on the RX-1 Unit.
- ❑ Press and hold in the [MODE], [SSB] and [CW] keys, while turning the radio on, to enter the alignment mode.
- ❑ Adjust the VR3001 so that the DC voltmeter reading is “6.60 V (± 0.05 V)”.
- ❑ Connect the DC voltmeter to TP3006 on the RX-1 Unit.
- ❑ Set the Main Band frequency to 7.15 MHz.
- ❑ Rotate the [MULTI] knob to select the alignment parameter “2-001 Local 7”.
- ❑ Press the [MULTI] knob, then rotate the [MPVD] ring so that the DC voltmeter reading is “1.10 V (± 0.05 V)”.
- ❑ Set the Main Band frequency to 14.20 MHz.
- ❑ Rotate the [MULTI] knob to select the alignment parameter “2-002 Local 14”.
- ❑ Press the [MULTI] knob, then rotate the [MPVD] ring so that the DC voltmeter reading is “1.05 V (± 0.05 V)”.

- ❑ Set the Main Band frequency to 21.20 MHz.
- ❑ Rotate the [MULTI] knob to select the alignment parameter “2-003 Local 21”.
- ❑ Press the [MULTI] knob, then rotate the [MPVD] ring so that the DC voltmeter reading is “1.05 V (± 0.05 V)”.
- ❑ Set the Main Band frequency to 28.10 MHz.
- ❑ Rotate the [MULTI] knob to select the alignment parameter “2-004 Local 28”.
- ❑ Press the [MULTI] knob, then rotate the [MPVD] ring so that the DC voltmeter reading is “0.80 V (± 0.05 V)”.
- ❑ Set the Main Band frequency to 50.50 MHz.
- ❑ Rotate the [MULTI] knob to select the alignment parameter “2-005 Local 50”.
- ❑ Press the [MULTI] knob, then rotate the [MPVD] ring so that the DC voltmeter reading is “1.00 V (± 0.05 V)”.



RF AGC Adjustment

- ❑ Set the following controls as indicated:
 [ANT] : ANT 1
 [IPO] : AMP1
 [ATT] : OFF
 [R.FLT] : 3 kHz
 [WIDTH] : 2.4 kHz
 [AGC] : AUTO
 [DNF] : OFF
- ❑ Press and hold in the [MODE], [SSB] and [CW] keys, while turning the radio on, to enter the alignment mode.
- ❑ Rotate the [MULTI] knob to select the alignment parameter “2-006 RF-AGC 7”.
- ❑ Press the [MULTI] knob, then rotate the [MPVD] ring to set the “255”.
- ❑ Perform the same procedures for the Alignment parameters “2-007 RF-AGC 14” through “2-010 RF-AGC 50”.
- ❑ Press and hold in the [S.MENU] button to save the new setting and exit the alignment mode.

IF Gain Adjustment

- ❑ Set the following controls as indicated:
 [R.FLT] button: 3 kHz
 [WIDTH] : 2.4 kHz
 [MODE] : CW-USB
 [RF GAIN] : Fully clockwise
- ❑ Connect the AF millivoltmeter and 4 Ohm dummy load to the EXT SP jack.
- ❑ Connect the RF Signal Generator to the “ANT 1” jack, then set the output level to 40 dBμ.
- ❑ Set the Main Band to the CW-USB mode.
- ❑ Adjust the [MAIN AF] knob so that the AF millivoltmeter reading is “0 dB”.
- ❑ Press and hold in the [MODE], [SSB] and [CW] keys, while turning the radio on, to enter the alignment mode.
- ❑ Select the appropriate “Alignment Parameter” using the [MULTI] knob per the chart below, then set the RF Signal Generator output to each frequency & level, and adjust the [MPVD] ring for the corresponding AF millivoltmeter reading at each frequency.
- ❑ Press and hold in the [S.MENU] button to save the new setting and exit the alignment mode.

Alignment Parameter	RF Signal Generator	Main-Band Frequency	AF Millivoltmeter
2-011 IF-AGC 7	7.050 MHz, 10 dBμ	7.050 MHz	-2.0 dB ± 0.5 dB
2-012 IF-AGC 14	14.200 MHz, 10 dBμ	14.200 MHz	-2.0 dB ± 0.5 dB
2-013 IF-AGC 21	21.200 MHz, 10 dBμ	21.200 MHz	-2.0 dB ± 0.5 dB
2-014 IF-AGC 28	28.700 MHz, 7 dBμ	28.700 MHz	-2.0 dB ± 0.5 dB
2-015 IF-AGC 50	51.900 MHz, 7 dBμ	51.900 MHz	-2.0 dB ± 0.5 dB

S-meter Adjustment

- ❑ Set the Main Band frequency to 14.200 MHz in the CW-USB mode.
- ❑ Set the following controls as indicated:
 [ANT] : ANT 1
 [IPO] : AMP1
 [ATT] : OFF
 [R.FLT] : 3 kHz
 [WIDTH] : 2.4 kHz
 [AGC] : AUTO
 [RF GAIN] : Fully clockwise
- ❑ Connect the RF Signal Generator to the “ANT 1” jack, then set the frequency to 14.200 MHz.
- ❑ Press and hold in the [MODE], [SSB] and [CW] keys, while turning the radio on, to enter the alignment mode.
- ❑ Refer to the chart below and select the appropriate “Alignment Parameter” using the [MULTI] knob. Set the RF Signal Generator output to each level, and adjust the [MPVD] ring for the corresponding S-meter reading. Press the [MULTI] knob to save the new setting at each level.

Alignment Parameter	RF Signal Generator	S-meter
2-016 S-MTR 0	OFF	Parameter “8”
2-017 S-MTR S2	+16 dBμ	S2
2-018 S-MTR S5	+24 dBμ	S5
2-019 S-MTR S7	+30 dBμ	S7
2-020 S-MTR S9	+36 dBμ	S9
2-021 S-MTR +10	+46 dBμ	S9+10
2-022 S-MTR +20	+56 dBμ	S9+20
2-023 S-MTR +30	+66 dBμ	S9+30
2-024 S-MTR +40	+76 dBμ	S9+40
2-025 S-MTR +50	+86 dBμ	S9+50
2-026 S-MTR +60	+96 dBμ	S9+60

- ❑ Press and hold in the [S.MENU] button to save the new setting and exit the alignment mode.

FILTER Gain Adjustment

- ❑ Set the Main Band frequency to 14.200 MHz in the CW-USB mode.
- ❑ Set the following controls as indicated:
 - [ANT] : ANT 1
 - [IPO] : AMP1
 - [ATT] : OFF
 - [R.FLT] : 600 Hz
 - [WIDTH] : 500 Hz
 - [AGC] : AUTO
 - [RF GAIN] : Fully clockwise
- ❑ Connect the RF Signal Generator to the “ANT 1” jack, then set the output level to 36 dB μ at 14.200 MHz.
- ❑ Press and hold in the [MODE], [SSB] and [CW] keys, while turning the radio on, to enter the alignment mode.
- ❑ Rotate the [MULTI] knob to select the alignment parameter “2-027 FIL GAIN 0.6k”.
- ❑ Press the [MULTI] knob, then rotate the [MPVD] ring to set the “0”.
- ❑ Set the following controls as indicated:
 - [R.FLT] : 12 kHz
 - [WIDTH] : 2.4 kHz
- ❑ Rotate the [MULTI] knob to select the alignment parameter “2-028 SDR GAIN 0.6k”.
- ❑ Press the [MULTI] knob, then rotate the [MPVD] ring to set the “0”.

FM Gain Adjustment

- ❑ Set the Main Band frequency to 28.700 MHz in the FM-W mode.
- ❑ Set the following controls as indicated:
 - [ANT] : ANT 1
 - [IPO] : AMP1
 - [ATT] : OFF
 - [R.FLT] : 12 kHz
 - [AGC] : AUTO
 - [RF GAIN] : Fully clockwise
- ❑ Set the RF Signal Generator to 0 dB μ at the 28.7000 MHz of a 1 kHz \pm 3.5 kHz deviation FM modulation audio signal.
- ❑ Press and hold in the [MODE], [SSB] and [CW] keys, while turning the radio on, to enter the alignment mode.
- ❑ Rotate the [MULTI] knob to select the alignment parameter “2-029 FM GAIN S1 28”.
- ❑ Rotate the [MPVD] ring so the S-meter reading is “S-1”.
- ❑ Press and hold in the [S.MENU] button to save the new setting and exit the alignment mode.

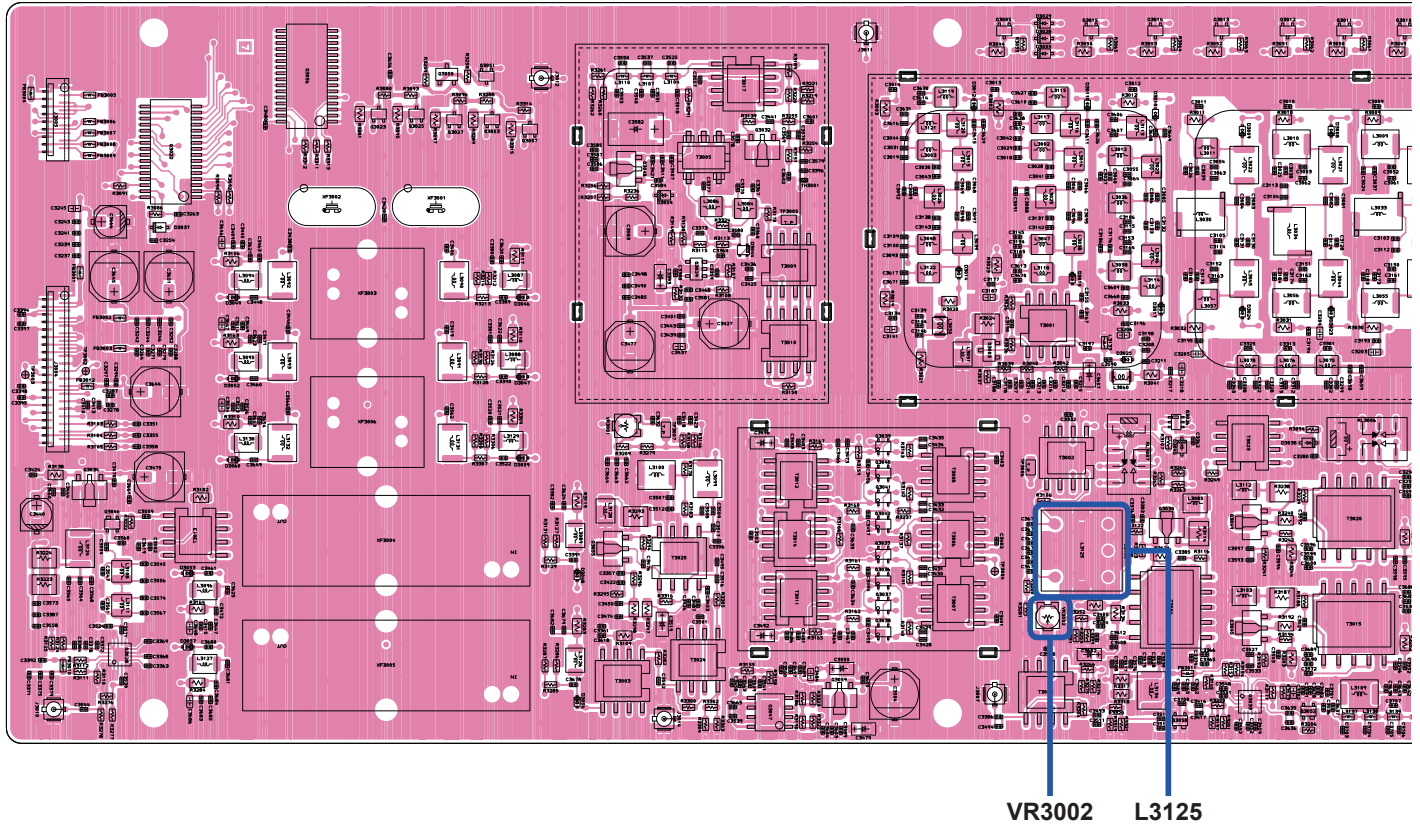
- ❑ Set the RF Signal Generator to 0 dB μ at the 51.500 MHz of a 1 kHz \pm 3.5 kHz deviation FM modulation audio signal.
- ❑ Set the Main Band frequency to 51.500 MHz in the FM-W mode.
- ❑ Press and hold in the [MODE], [SSB] and [CW] keys, while turning the radio on, to enter the alignment mode again.
- ❑ Rotate the [MULTI] knob to select the alignment parameter “2-030 FM GAIN S1 50”.
- ❑ Rotate the [MPVD] ring so that the S-meter reading is “S-1”.
- ❑ Press and hold in the [S.MENU] button to save the new setting and exit the alignment mode.

FM Squelch Adjustment

- ❑ Set the Main Band frequency to 51.500 MHz in the FM-W mode.
- ❑ Set the following controls as indicated:
 - [ANT] : ANT 1
 - [IPO] : AMP1
 - [ATT] : OFF
 - [R.FLT] : 12 kHz
 - [AGC] : AUTO
 - [RF GAIN] : Fully clockwise
- ❑ Set the RF Signal Generator to -8 dB μ at the 51.500 MHz of a 1 kHz \pm 3.5 kHz deviation FM modulation audio signal.
- ❑ Rotate the [MULTI] knob to select the alignment parameter “2-031 FM SQL THW”.
- ❑ Press the [MULTI] knob.
- ❑ Set the RF Signal Generator to -8 dB μ at the 51.500 MHz of a 1 kHz \pm 1.75 kHz deviation FM modulation audio signal.
- ❑ Set the Main Band frequency to 51.500 MHz in the FM-N mode.
- ❑ Rotate the [MULTI] knob to select the alignment parameter “2-032 FM SQL THN”.
- ❑ Press the [MULTI] knob.
- ❑ Set the RF Signal Generator to 0 dB μ at the 51.500 MHz of a 1 kHz \pm 3.5 kHz deviation FM modulation audio signal.
- ❑ Set the Main Band frequency to 51.500 MHz in the FM-W mode.
- ❑ Rotate the [MULTI] knob to select the alignment parameter “2-033 FM SQL TI”.
- ❑ Press the [MULTI] knob.
- ❑ Press and hold in the [S.MENU] button to save the new setting and exit the alignment mode.

IF Trap Adjustment

- ❑ Set the Main Band frequency to 10.100 MHz in the CW-USB mode.
- ❑ Set the following controls as indicated:
 - [ANT] : ANT 1
 - [IPO] : AMP1
 - [ATT] : OFF
 - [R.FLT] : 3 kHz
 - [WIDTH] : 2.4 kHz
 - [AGC] : AUTO
 - [RF GAIN] : Fully clockwise
- ❑ Connect the AF millivoltmeter and 4 Ohm dummy load to the EXT SP jack.
- ❑ Connect the RF Signal Generator to the “ANT 1” jack, then set the output level to +40 to +80 dB μ at the 9.005 MHz.
- ❑ Adjust L3125 and VR3002 on the RX-1 Unit for minimum deflection on the AF millivoltmeter.

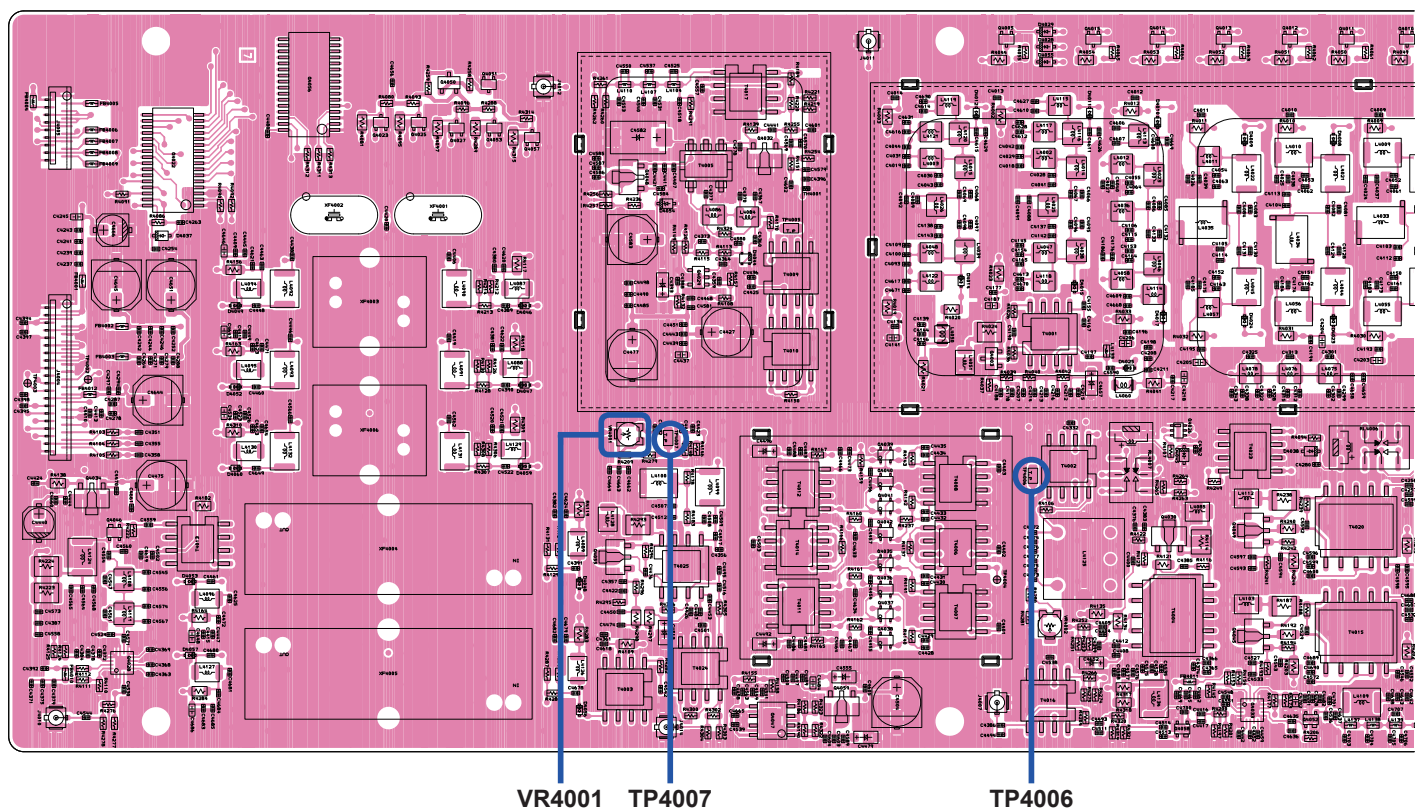


Sub Receiver Adjustment

MIX balance Adjustment

- ❑ Set the Sub Band frequency to 14.200 MHz.
- ❑ Connect the DC voltmeter to TP4007 on the RX-2 Unit.
- ❑ Press and hold in the [MODE], [SSB] and [CW] keys, while turning the radio on, to enter the alignment mode.
- ❑ Adjust the VR4001 so that the DC voltmeter reading is “6.60 V (± 0.05 V)”.
- ❑ Connect the DC voltmeter to TP4006 on the RX-2 Unit.
- ❑ Set the Sub Band frequency to 7.15 MHz.
- ❑ Rotate the [MULTI] knob to select the alignment parameter “3-001 Local 7”.
- ❑ Press the [MULTI] knob, then rotate the [MPVD] ring so that the DC voltmeter reading is “1.10 V (± 0.05 V)”.
- ❑ Set the Sub Band frequency to 14.20 MHz.
- ❑ Rotate the [MULTI] knob to select the alignment parameter “3-002 Local 14”.

- ❑ Press the [MULTI] knob, then rotate the [MPVD] ring so that the DC voltmeter reading is “1.05 V (± 0.05 V)”.
- ❑ Set the Sub Band frequency to 21.20 MHz.
- ❑ Rotate the [MULTI] knob to select the alignment parameter “3-003 Local 21”.
- ❑ Press the [MULTI] knob, then rotate the [MPVD] ring so that the DC voltmeter reading is “1.05 V (± 0.05 V)”.
- ❑ Set the Sub Band frequency to 28.10 MHz.
- ❑ Rotate the [MULTI] knob to select the alignment parameter “3-004 Local 28”.
- ❑ Press the [MULTI] knob, then rotate the [MPVD] ring so that the DC voltmeter reading is “0.80 V (± 0.05 V)”.
- ❑ Set the Sub Band frequency to 50.50 MHz.
- ❑ Rotate the [MULTI] knob to select the alignment parameter “3-005 Local 50”.
- ❑ Press the [MULTI] knob, then rotate the [MPVD] ring so that the DC voltmeter reading is “1.00 V (± 0.05 V)”.



RF AGC Adjustment

- ❑ Set the following controls as indicated:
 [ANT] : ANT 2
 [IPO] : AMP1
 [ATT] : OFF
 [R.FLT] : 3 kHz
 [WIDTH] : 2.4 kHz
 [AGC] : AUTO
 [DNF] : OFF
- ❑ Press and hold in the [MODE], [SSB] and [CW] keys, while turning the radio on, to enter the alignment mode.
- ❑ Rotate the [MULTI] knob to select the alignment parameter “3-006 RF-AGC 7”.
- ❑ Press the [MULTI] knob, then rotate the [MPVD] ring to set the “255”.
- ❑ Perform the same procedures for the Alignment Menus “3-007 RF-AGC 14” through “3-010 RF-AGC 50”.
- ❑ Press and hold in the [S.MENU] button to save the new setting and exit the alignment mode.

IF Gain Adjustment

- ❑ Set the following controls as indicated:
 [R.FLT] button: 3 kHz
 [WIDTH] : 2.4 kHz
 [MODE] : CW-USB
 [RF GAIN] : Fully clockwise
- ❑ Connect the AF millivoltmeter and 4 Ohm dummy load to the EXT SP jack.
- ❑ Connect the RF Signal Generator to the “ANT 2” jack, then set the output level to 40 dB μ .
- ❑ Set the Sub Band to the CW-USB mode.
- ❑ Adjust the [SUB AF] knob so that the AF millivoltmeter reading is “0 dB”.
- ❑ Press and hold in the [MODE], [SSB] and [CW] keys, while turning the radio on, to enter the alignment mode.
- ❑ Select the appropriate “Alignment Parameter” using the [MULTI] knob per the chart below, then set the RF Signal Generator output to each frequency & level, and adjust the [MPVD] ring for the corresponding AF millivoltmeter reading at each frequency.
- ❑ Press and hold in the [S.MENU] button to save the new setting and exit the alignment mode.

Alignment Parameter	RF Signal Generator	Sub-Band Frequency	AF Millivoltmeter
3-011 IF-AGC 7	7.050 MHz, 10 dB μ	7.050 MHz	-2.0 dB \pm 0.5 dB
3-012 IF-AGC 14	14.200 MHz, 10 dB μ	14.200 MHz	-2.0 dB \pm 0.5 dB
3-013 IF-AGC 21	21.200 MHz, 10 dB μ	21.200 MHz	-2.0 dB \pm 0.5 dB
3-014 IF-AGC 28	28.700 MHz, 7 dB μ	28.700 MHz	-2.0 dB \pm 0.5 dB
3-015 IF-AGC 50	51.900 MHz, 7 dB μ	51.900 MHz	-2.0 dB \pm 0.5 dB

S-meter Adjustment

- ❑ Set the Sub Band frequency to 14.200 MHz in the CW-USB mode.
- ❑ Set the following controls as indicated:
 [ANT] : ANT 2
 [IPO] : AMP1
 [ATT] : OFF
 [R.FLT] : 3 kHz
 [WIDTH] : 2.4 kHz
 [AGC] : AUTO
 [RF GAIN] : Fully clockwise
- ❑ Connect the RF Signal Generator to the “ANT 2” jack, then set the frequency to 14.200 MHz.
- ❑ Press and hold in the [MODE], [SSB] and [CW] keys, while turning the radio on, to enter the alignment mode.
- ❑ Refer to the chart below and select the appropriate “Alignment Parameter” using the [MULTI] knob. Set the RF Signal Generator output to each level, and adjust the [MPVD] ring for the corresponding S-meter reading. Press the [MULTI] knob to save the new setting at each level.

Alignment Parameter	RF Signal Generator	S-meter
3-016 S-MTR 0	OFF	Parameter “8”
3-017 S-MTR S2	+16 dB μ	S2
3-018 S-MTR S5	+24 dB μ	S5
3-019 S-MTR S7	+30 dB μ	S7
3-020 S-MTR S9	+36 dB μ	S9
3-021 S-MTR +10	+46 dB μ	S9+10
3-022 S-MTR +20	+56 dB μ	S9+20
3-023 S-MTR +30	+66 dB μ	S9+30
3-024 S-MTR +40	+76 dB μ	S9+40
3-025 S-MTR +50	+86 dB μ	S9+50
3-026 S-MTR +60	+96 dB μ	S9+60

- ❑ Press and hold in the [S.MENU] button to save the new setting and exit the alignment mode.

FILTER Gain Adjustment

- ❑ Set the Sub Band frequency to 14.200 MHz in the CW-USB mode.
- ❑ Set the following controls as indicated:
 - [ANT] : ANT 2
 - [IPO] : AMP1
 - [ATT] : OFF
 - [R.FLT] : 600 Hz
 - [WIDTH] : 500 Hz
 - [AGC] : AUTO
 - [RF GAIN] : Fully clockwise
- ❑ Connect the RF Signal Generator to the “ANT 2” jack, then set the output level to 36 dB μ at 14.200 MHz.
- ❑ Press and hold in the [MODE], [SSB] and [CW] keys, while turning the radio on, to enter the alignment mode.
- ❑ Rotate the [MULTI] knob to select the alignment parameter “3-027 FIL GAIN 0.6k”.
- ❑ Press the [MULTI] knob, then rotate the [MPVD] ring to set the “0”.
- ❑ Set the following controls as indicated:
 - [R.FLT] : 12 kHz
 - [WIDTH] : 2.4 kHz
- ❑ Rotate the [MULTI] knob to select the alignment parameter “3-028 SDR GAIN 0.6k”.
- ❑ Press the [MULTI] knob, then rotate the [MPVD] ring to set the “0”.

FM Gain Adjustment

- ❑ Set the Sub Band frequency to 28.700 MHz in the FM-W mode.
- ❑ Set the following controls as indicated:
 - [ANT] : ANT 2
 - [IPO] : AMP1
 - [ATT] : OFF
 - [R.FLT] : 12 kHz
 - [AGC] : AUTO
 - [RF GAIN] : Fully clockwise
- ❑ Set the RF Signal Generator to 0 dB μ at the 28.7000 MHz of a 1 kHz \pm 3.5 kHz deviation FM modulation audio signal.
- ❑ Press and hold in the [MODE], [SSB] and [CW] keys, while turning the radio on, to enter the alignment mode.
- ❑ Rotate the [MULTI] knob to select the alignment parameter “3-029 FM GAIN S1 28”.
- ❑ Rotate the [MPVD] ring so the S-meter reading is “S-1”.
- ❑ Press and hold in the [S.MENU] button to save the new setting and exit the alignment mode.

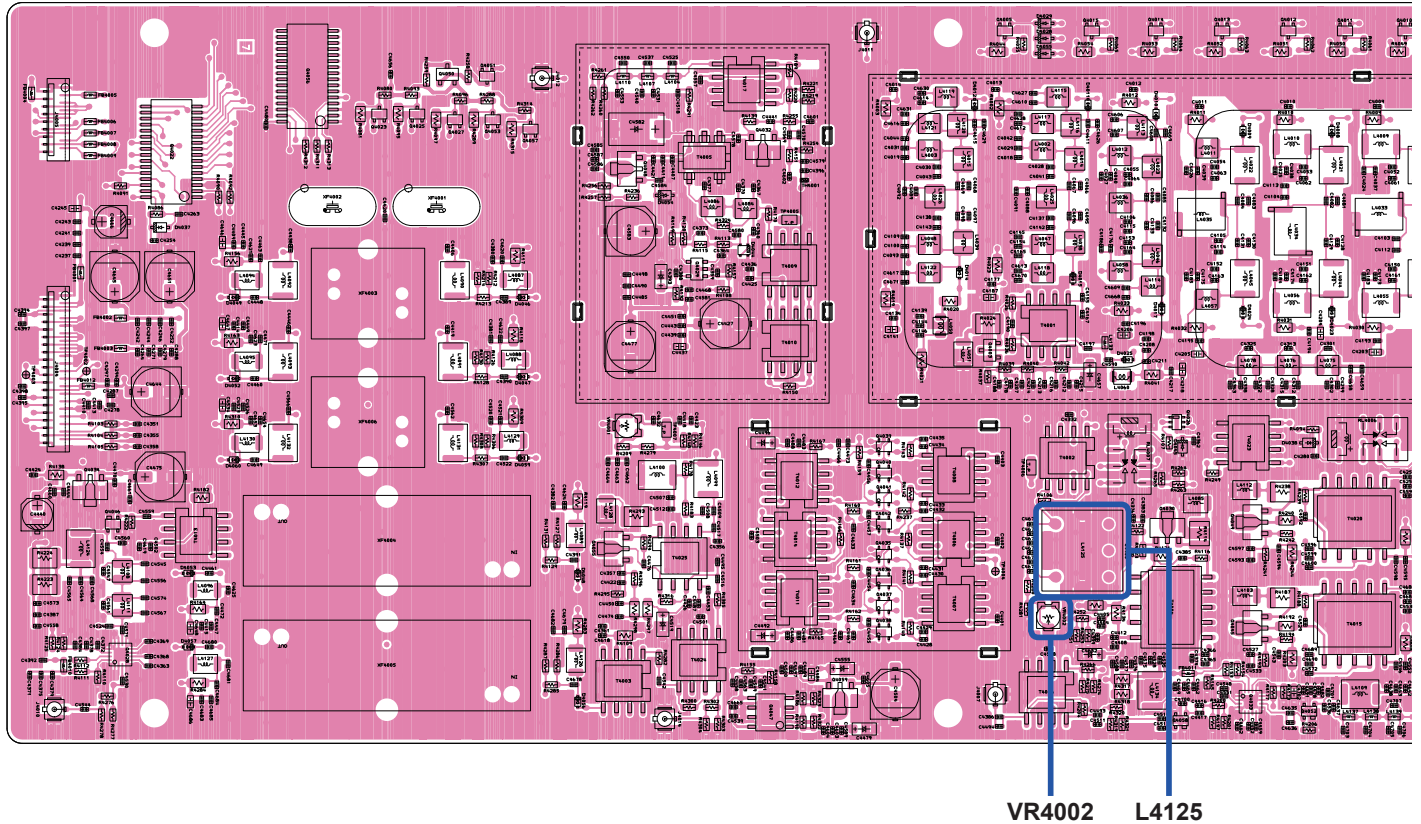
- ❑ Set the RF Signal Generator to 0 dB μ at the 51.500 MHz of a 1 kHz \pm 3.5 kHz deviation FM modulation audio signal.
- ❑ Set the Sub Band frequency to 51.500 MHz in the FM-W mode.
- ❑ Press and hold in the [MODE], [SSB] and [CW] keys, while turning the radio on, to enter the alignment mode again.
- ❑ Rotate the [MULTI] knob to select the alignment parameter “3-030 FM GAIN S1 50”.
- ❑ Rotate the [MPVD] ring so that the S-meter reading is “S-1”.
- ❑ Press and hold in the [S.MENU] button to save the new setting and exit the alignment mode.

FM Squelch Adjustment

- ❑ Set the Sub Band frequency to 51.500 MHz in the FM-W mode.
- ❑ Set the following controls as indicated:
 - [ANT] : ANT 2
 - [IPO] : AMP1
 - [ATT] : OFF
 - [R.FLT] : 12 kHz
 - [AGC] : AUTO
 - [RF GAIN] : Fully clockwise
- ❑ Set the RF Signal Generator to -8 dB μ at the 51.500 MHz of a 1 kHz \pm 3.5 kHz deviation FM modulation audio signal.
- ❑ Rotate the [MULTI] knob to select the alignment parameter “3-031 FM SQL THW”.
- ❑ Press the [MULTI] knob.
- ❑ Set the RF Signal Generator to -8 dB μ at the 51.500 MHz of a 1 kHz \pm 1.75 kHz deviation FM modulation audio signal.
- ❑ Set the Sub Band frequency to 51.500 MHz in the FM-N mode.
- ❑ Rotate the [MULTI] knob to select the alignment parameter “3-032 FM SQL THN”.
- ❑ Press the [MULTI] knob.
- ❑ Set the RF Signal Generator to 0 dB μ at the 51.500 MHz of a 1 kHz \pm 3.5 kHz deviation FM modulation audio signal.
- ❑ Set the Sub Band frequency to 51.500 MHz in the FM-W mode.
- ❑ Rotate the [MULTI] knob to select the alignment parameter “3-033 FM SQL TI”.
- ❑ Press the [MULTI] knob.
- ❑ Press and hold in the [S.MENU] button to save the new setting and exit the alignment mode.

IF Trap Adjustment

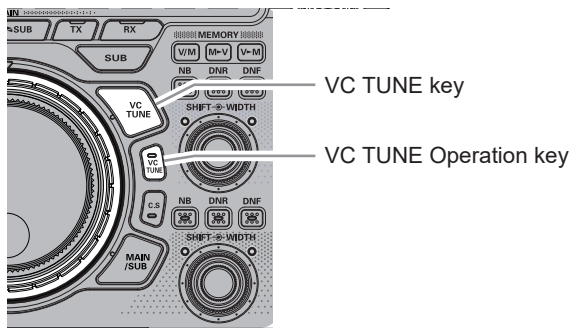
- ❑ Set the Sub Band frequency to 10.100 MHz in the CW-USB mode.
- ❑ Set the following controls as indicated:
 - [ANT] : ANT 2
 - [IPO] : AMP1
 - [ATT] : OFF
 - [R.FLT] : 3 kHz
 - [WIDTH] : 2.4 kHz
 - [AGC] : AUTO
 - [RF GAIN] : Fully clockwise
- ❑ Connect the AF millivoltmeter and 4 Ohm dummy load to the EXT SP jack.
- ❑ Connect the RF Signal Generator to the “ANT 2” jack, then set the output level to +40 to +80 dB μ at the 8.900 MHz.
- ❑ Adjust L4125 and VR4002 on the RX-2 Unit for minimum deflection on the AF millivoltmeter.



Alignment

VCT Tune Adjustment

- ❑ Set the Main Band frequency to 1.900 MHz in the CW-USB mode.
- ❑ Set the following controls as indicated:
 [ANT] : ANT 1
 [IPO] : AMP1
 [ATT] : OFF
 [R.FLT] : 3 kHz
 [WIDTH] : 500 Hz
 [AGC] : AUTO
 [RF GAIN] : Fully clockwise
- ❑ Connect the RF Signal Generator to the “ANT 1” jack, then set the output level to +10 dB μ at the 1.900 MHz.
- ❑ Connect the AF millivoltmeter and 4 Ohm dummy load to the EXT SP jack.
- ❑ Press the VC TUNE key.
- ❑ Press the VC TUNE Operation key, activate the VC Tune function.

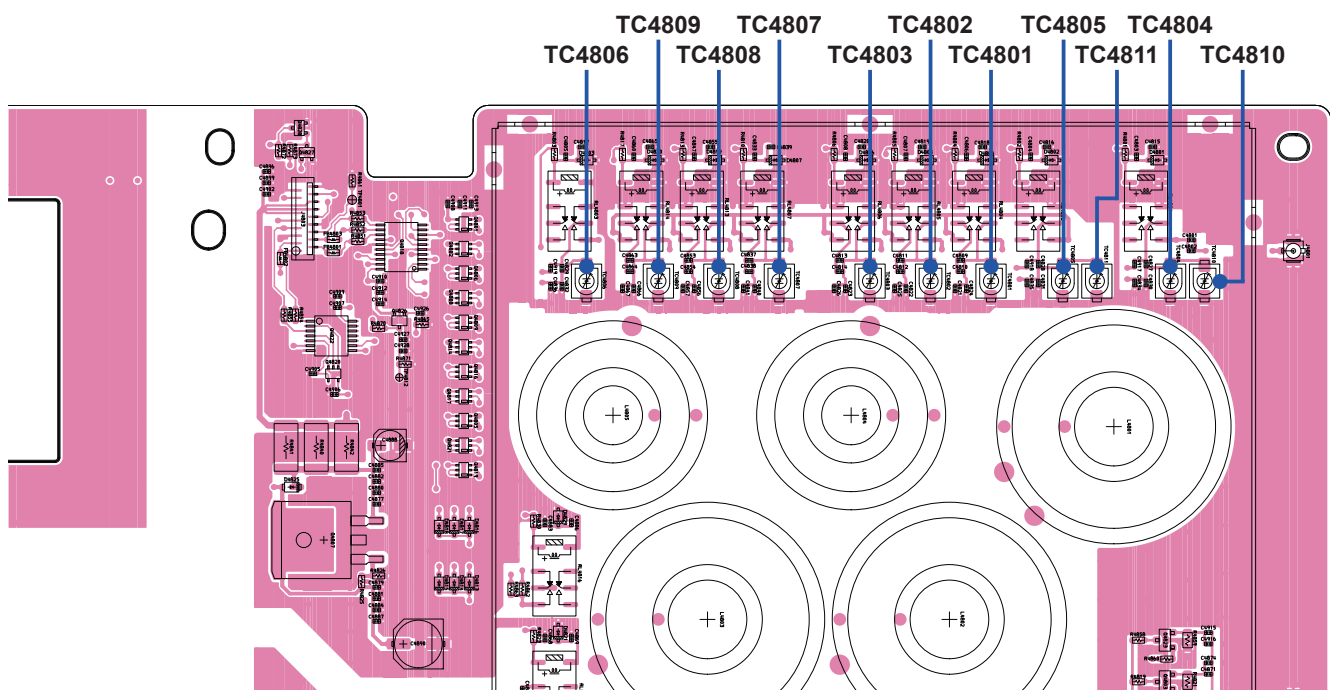


- ❑ Adjust TC4804 and TC4810 on the VCT Unit for maximum deflection on the AF millivoltmeter.

- ❑ Press the VC TUNE Operation key again, disable the VC Tune function.
- ❑ Perform the same procedures for the frequency 1.900 MHz through 28.850 MHz per the chart at the below.

Adjust	RF Signal Generator	Main-Band Frequency	AF Millivoltmeter
TC4804, TC4810	1.900 MHz, -10 dB μ	1.900 MHz	Maximum deflection
TC4805, TC4811	3.750 MHz, -10 dB μ	3.750 MHz	
TC4806	7.150 MHz, -10 dB μ	7.150 MHz	
TC4801	10.125 MHz, -10 dB μ	10.125 MHz	
TC4802	14.175 MHz, -10 dB μ	14.175 MHz	
TC4803	18.115 MHz, -10 dB μ	18.115 MHz	
TC4807	21.225 MHz, -10 dB μ	21.225 MHz	
TC4808	24.940 MHz, -10 dB μ	24.940 MHz	
TC4809	28.850 MHz, -10 dB μ	28.850 MHz	

- ❑ Press and hold in the [S.MENU] button to save the new setting and exit the alignment mode.



PA Unit Adjustment (FTDX101MP)

Preparation

- ❑ Connect the 50-Ohm Dummy Load and Wattmeter to the “ANT 1” jack.
- ❑ Disconnect the coaxial cables from J6001 and J6007 on the 200W-PA Unit, then terminate J6001 and J6007, each with a 50-Ohm resistor.
- ❑ Disconnect the jumper plugs from J6004 and J6005 on the 200W-PA Unit.

Pre-Drive Stage Idling Current Adjustment

- ❑ Connect the DC ammeter to J6004 on the 200W-PA Unit.
- ❑ Press and hold the PTT button then adjust the VR6006 so that the DC ammeter reading is “200 mA (± 20 mA)”.
- ❑ Press and hold the PTT button then adjust the VR6001 so that the DC ammeter reading is “200 mA (± 5 mA)”.
- ❑ Release the PTT button.

Drive Stage Idling Current Adjustment

- ❑ Connect the DC ammeter to J6005 on the 200W-PA Unit.

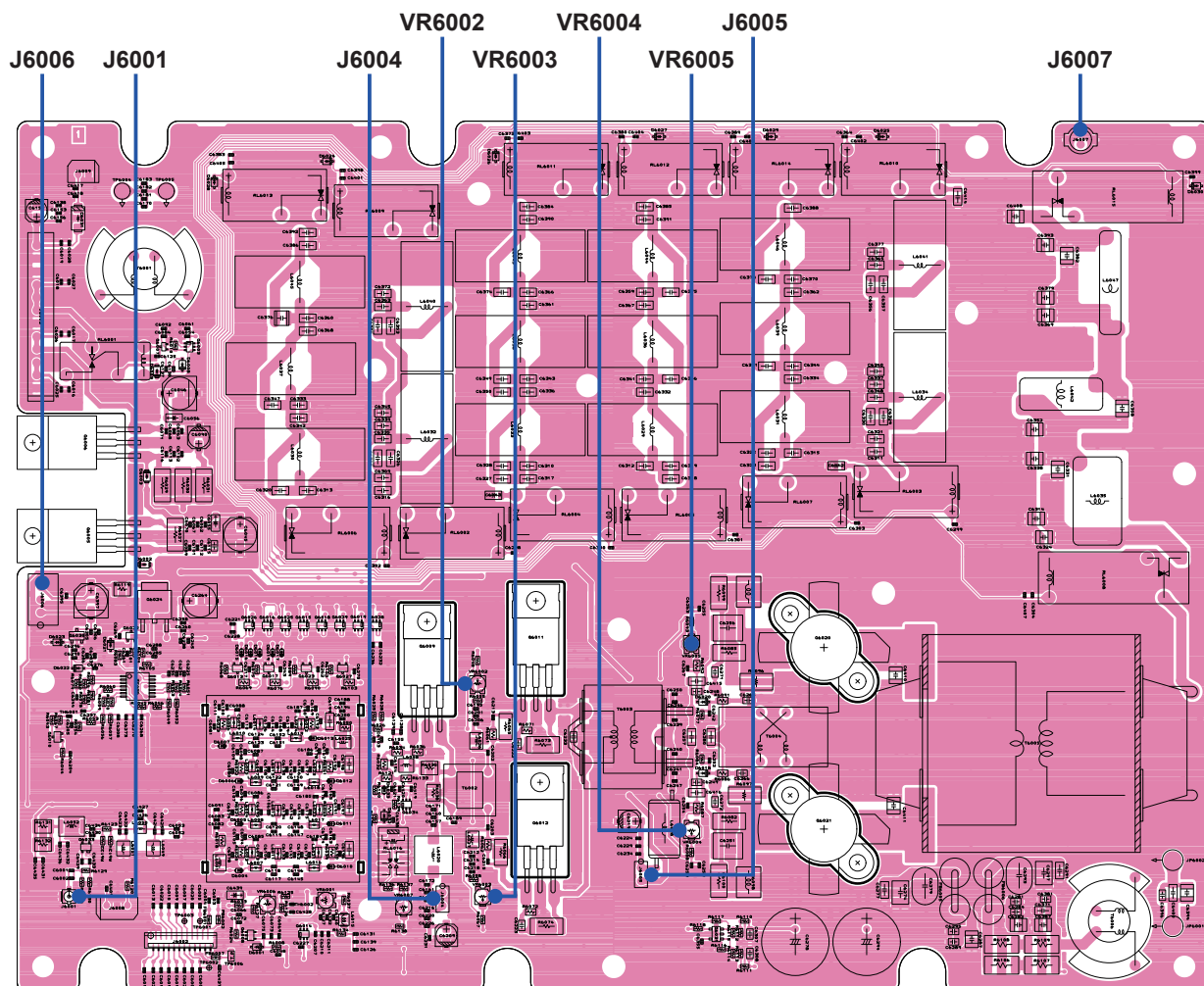
- ❑ Press and hold the PTT button then adjust the VR6002 so that the DC ammeter reading is “800 mA (± 100 mA)”.
- ❑ Press and hold the PTT button then adjust the VR6003 so that the DC ammeter reading is “1.6 A (± 200 mA)”.
- ❑ Release the PTT button.

Final Stage Idling Current Adjustment

- ❑ Connect the DC ammeter between External Power supply and FTDX101MP.
- ❑ Press and hold the PTT button, while adjusting the VR6004 so that the DC ammeter reading is “500 mA (± 100 mA)”.
- ❑ Press and hold the PTT button, while adjusting the VR6005 so that the DC ammeter reading is “1.0 A (± 200 mA)”.
- ❑ Release the PTT button.

Termination

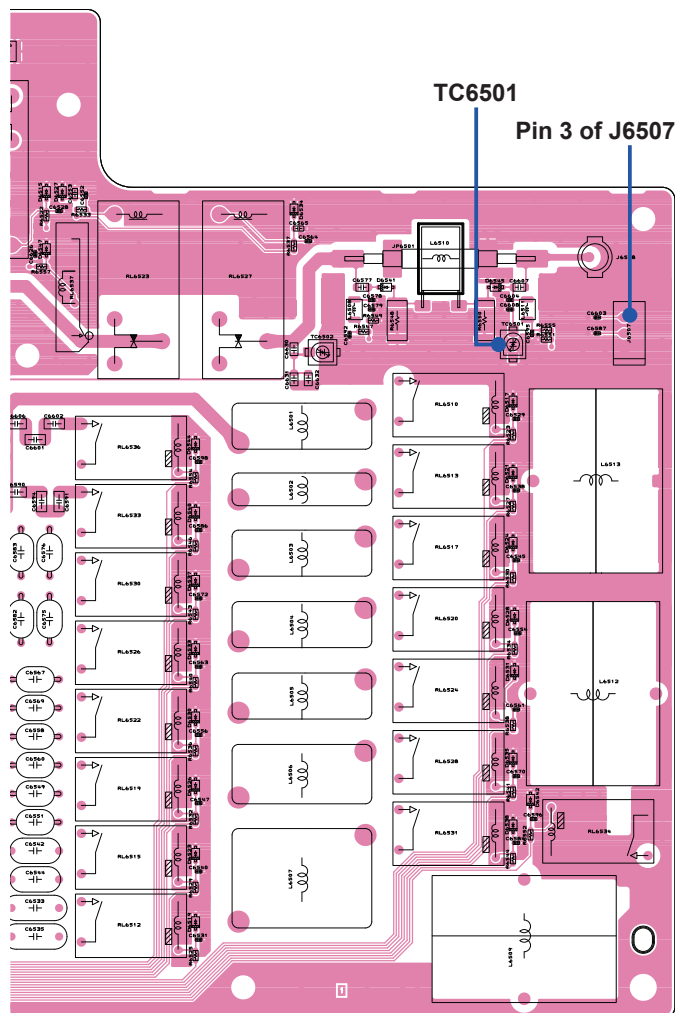
- ❑ Disconnect the 50-Ohm resistors from J6001 and J6007, then connect the coaxial cables to J6001 and J6007.
- ❑ Re-connect the jumper plugs to J6004 and J6005.



Antenna Tuner Adjustment

CM Coupler Balance Adjustment

- ❑ Connect the 50-Ohm Dummy Load and Wattmeter to the “ANT 1” jack.
- ❑ Connect the Digital DC voltmeter (high-Z) to pin 3 of J6507 on the 200W-TUNER Unit.
- ❑ Turn off the [TUNE] switch, then set the Main Band frequency to 24.900 MHz in the CW-USB mode.
- ❑ Press and hold in the [MODE], [SSB] and [CW] keys, while turning the radio on, to enter the alignment mode.
- ❑ Rotate the [MULTI] knob to select the alignment parameter “4-008 I-ALC 24”.
- ❑ Press and hold the PTT button, while adjusting the [MPVD] ring for 100 Watts on the Wattmeter.
- ❑ Adjust TC6501 on the 200W-TUNER Unit for minimum deflection on the DC voltmeter (less than 0.1 V).
- ❑ Release the PTT button.
- ❑ Press the [S.MENU] button.



Current ALC Adjustment

- ❑ Connect the 50-Ohm Dummy Load and Wattmeter to the “ANT 1” jack.
- ❑ Set the operating mode to “CW-USB”.
- ❑ Press and hold in the [MODE], [SSB] and [CW] keys, while turning the radio on, to enter the alignment mode.
- ❑ Rotate the [MULTI] knob to select the alignment parameter “4-001 I-ALC 1.8” for the 1.8 MHz amateur band's ALC Adjustment.
- ❑ Key the transmitter, then adjusting the [MPVD] ring for 220 W on the Wattmeter.
- ❑ Unkey the transmitter, then rotate the [MPVD] ring so that the parameter indication “4” increase.
- ❑ Rotate the [MULTI] knob to select the alignment parameter “4-002 I-ALC 3.5” for the 3.5 MHz amateur band's ALC Adjustment.
- ❑ Key the transmitter, then adjusting the [MPVD] ring for 220 W on the Wattmeter.
- ❑ Unkey the transmitter, then rotate the [MPVD] ring so that the parameter indication “4” increase.
- ❑ Rotate the [MULTI] knob to select the alignment parameter “4-003 I-ALC 7” for the 7 MHz amateur band's ALC Adjustment.
- ❑ Key the transmitter, then adjusting the [MPVD] ring for 220 W on the Wattmeter.
- ❑ Unkey the transmitter, then rotate the [MPVD] ring so that the parameter indication “4” increase.
- ❑ Rotate the [MULTI] knob to select the alignment parameter “4-004 I-ALC 10” for the 10 MHz amateur band's ALC Adjustment.
- ❑ Key the transmitter, then adjusting the [MPVD] ring for 220 W on the Wattmeter.
- ❑ Unkey the transmitter, then rotate the [MPVD] ring so that the parameter indication “4” increase.
- ❑ Rotate the [MULTI] knob to select the alignment parameter “4-005 I-ALC 14” for the 14 MHz amateur band's ALC Adjustment.
- ❑ Key the transmitter, then adjusting the [MPVD] ring for 220 W on the Wattmeter.
- ❑ Unkey the transmitter, then rotate the [MPVD] ring so that the parameter indication “4” increase.
- ❑ Rotate the [MULTI] knob to select the alignment parameter “4-006 I-ALC 18” for the 18 MHz amateur band's ALC Adjustment.

- ❑ Key the transmitter, then adjusting the [MPVD] ring for 220 W on the Wattmeter.
- ❑ Unkey the transmitter, then rotate the [MPVD] ring so that the parameter indication “4” increase.
- ❑ Rotate the [MULTI] knob to select the alignment parameter “4-007 I-ALC 21” for the 21 MHz amateur band's ALC Adjustment.
- ❑ Key the transmitter, then adjusting the [MPVD] ring for 220 W on the Wattmeter.
- ❑ Unkey the transmitter, then rotate the [MPVD] ring so that the parameter indication “4” increase.
- ❑ Rotate the [MULTI] knob to select the alignment parameter “4-008 I-ALC 24” for the 24 MHz amateur band's ALC Adjustment.
- ❑ Key the transmitter, then adjusting the [MPVD] ring for 220 W on the Wattmeter.
- ❑ Unkey the transmitter, then rotate the [MPVD] ring so that the parameter indication “4” increase.
- ❑ Rotate the [MULTI] knob to select the alignment parameter “4-009 I-ALC 28” for the 28 MHz amateur band's ALC Adjustment.
- ❑ Key the transmitter, then adjusting the [MPVD] ring for 220 W on the Wattmeter.
- ❑ Unkey the transmitter, then rotate the [MPVD] ring so that the parameter indication “4” increase.
- ❑ Rotate the [MULTI] knob to select the alignment parameter “4-010 I-ALC 50” for the 50 MHz amateur band's ALC Adjustment.
- ❑ Key the transmitter, then adjusting the [MPVD] ring for 220 W on the Wattmeter.
- ❑ Unkey the transmitter, then rotate the [MPVD] ring so that the parameter indication “4” increase.

European version only

- ❑ Rotate the [MULTI] knob to select the alignment parameter “4-011 I-ALC 70” for the 70 MHz amateur band's ALC Adjustment.
- ❑ Key the transmitter, then adjusting the [MPVD] ring for 60 W on the Wattmeter.
- ❑ Unkey the transmitter, then rotate the [MPVD] ring so that the parameter indication “4” increase.
- ❑ Press and hold in the [S.MENU] button to save the new setting and exit the alignment mode.

ALC Meter Adjustment

- ❑ Connect the 50-Ohm Dummy Load and Wattmeter to the “ANT 1” jack.
- ❑ Press and hold in the [MODE], [SSB] and [CW] keys, while turning the radio on, to enter the alignment mode.
- ❑ Set the Main Band frequency to 14.200 MHz in the CW-USB mode.
- ❑ Rotate the [MULTI] knob to select the alignment parameter “4-086 200W TXG 14”.
- ❑ Rotate the [MPVD] ring so that the parameter indication “255”.
- ❑ Rotate the [MULTI] knob to select the alignment parameter “4-084 200W FALC 14”.
- ❑ Rotate the [MPVD] ring so that the parameter indication “0”.
- ❑ Key the transmitter, then rotate the [MPVD] ring for 200 W (+10W/-0W) on the Wattmeter.
- ❑ Unkey the transmitter.
- ❑ Set the USB mode.
- ❑ Rotate the [MULTI] knob to select the alignment parameter “4-215 ALC MTR”.
- ❑ Set the MIC GAIN to “50”.
- ❑ Connect the Audio Generator to pin 8 of the MIC jack (pin 7: GND), then set the output level to 0.5 mV @1 kHz.
- ❑ Press and hold the PTT button, then adjust the Audio Generator output level to the position where the ALC meter just starts to deflect.
- ❑ Release the PTT button.
- ❑ Increase the Audio Generator output level by “5 dB”.
- ❑ Press the PTT button, then press the [MULTI] knob *while pressing and holding in the PTT button*.
- ❑ Release the PTT button.
- ❑ Press the PTT button, *while pressing and holding in the PTT button*, then rotate the [MPVD] ring for maximum deflection on the ALC meter zone.
- ❑ Press the [MULTI] knob *while pressing and holding in the PTT button*.
- ❑ Release the PTT button, then press and hold in the [S.MENU] button to save the new setting and exit the alignment mode.



TX Output Power/PO Meter/TXG

Adjustment

- Referring to table below, tune the transceiver to each frequency listed.

Band	Main Band Frequency	Mode
1.8 MHz Band	1.820 MHz	CW-USB
3.5 MHz Band	3.575 MHz	CW-USB
7 MHz Band	7.050 MHz	CW-USB
10 MHz Band	10.100 MHz	CW-USB
14 MHz Band	14.200 MHz	CW-USB
18 MHz Band	18.100 MHz	CW-USB
21 MHz Band	21.200 MHz	CW-USB
24.5 MHz Band	24.900 MHz	CW-USB
28 MHz Band	28.700 MHz	CW-USB
50 MHz Band	51.900 MHz	CW-USB

- Connect the 50-Ohm Dummy Load and Wattmeter to the "ANT 1" jack.
- Set the Main Band frequency to 1.820 MHz in the CW-USB mode.
- Press and hold in the [MODE], [SSB] and [CW] keys, while turning the radio on, to enter the alignment mode.

- Rotate the [MULTI] knob to select the alignment parameter "4-012 200W FALC 1.8".
- Press and hold the PTT button, then rotate the [MPVD] ring for 202 W (+10W/-2W) on the Wattmeter.
- Release the PTT button.
- Rotate the [MULTI] knob to select the alignment parameter "4-013 200W MTR 1.8".
- Press and hold the PTT button, then rotate the [MPVD] ring for 200 W on the PO meter.
- Release the PTT button.
- Rotate the [MULTI] knob to select the alignment parameter "4-014 200W TXG 1.8".
- Press and hold the PTT button, then rotate the [MPVD] ring for maximum deflection on the ALC meter zone.
- Release the PTT button.

Alignment parameter	Operation	POWER meter (Adjust to)	ALC Meter Zone (Adjust to)	
1.8 MHz	Rotate the [MPVD] ring	4-012	202 W (+10 W/-2 W)	
		4-013	200 W	
		4-014	-	Maximum deflection
		4-015	101 W (+5 W/-1 W)	-
		4-016	100 W	-
		4-017	-	Maximum deflection
		4-018	50 W (+5 W/-0 W)	-
		4-019	50 W	-
		4-020	-	Maximum deflection
		4-021	20 W (+2 W/-0 W)	-
		4-022	20 W	-
		4-023	-	Maximum deflection
		4-024	10 W (+1 W/-0 W)	-
		4-025	10 W	-
		4-026	-	Maximum deflection
4-027	5 W (+1 W/-0 W)	-		
4-028	5 W	-		
4-029	-	Maximum deflection		
3.5 MHz	Rotate the [MPVD] ring	4-030	202 W (+10 W/-2 W)	
		4-031	200 W	
		4-032	-	Maximum deflection
		4-033	101 W (+5 W/-1 W)	-
		4-034	100 W	-
		4-035	-	Maximum deflection
		4-036	50 W (+5 W/-0 W)	-
		4-037	50 W	-
		4-038	-	Maximum deflection
		4-039	20 W (+2 W/-0 W)	-
		4-040	20 W	-
		4-041	-	Maximum deflection
		4-042	10 W (+1 W/-0 W)	-
		4-043	10 W	-
		4-044	-	Maximum deflection
4-045	5 W (+1 W/-0 W)	-		
4-046	5 W	-		
4-047	-	Maximum deflection		

Alignment parameter	Operation	POWER meter (Adjust to)	ALC Meter Zone (Adjust to)	
7 MHz	Rotate the [MPVD] ring	4-048	202 W (+10 W/-2 W)	
		4-049	200 W	
		4-050	-	Maximum deflection
		4-051	101 W (+5 W/-1 W)	-
		4-052	100 W	-
		4-053	-	Maximum deflection
		4-054	50 W (+5 W/-0 W)	-
		4-055	50 W	-
		4-056	-	Maximum deflection
		4-057	20 W (+2 W/-0 W)	-
		4-058	20 W	-
		4-059	-	Maximum deflection
		4-060	10 W (+1 W/-0 W)	-
		4-061	10 W	-
		4-062	-	Maximum deflection
4-063	5 W (+1 W/-0 W)	-		
4-064	5 W	-		
4-065	-	Maximum deflection		
10 MHz	Rotate the [MPVD] ring	4-066	202 W (+10 W/-2 W)	
		4-067	200 W	
		4-068	-	Maximum deflection
		4-069	101 W (+5 W/-1 W)	-
		4-070	100 W	-
		4-071	-	Maximum deflection
		4-072	50 W (+5 W/-0 W)	-
		4-073	50 W	-
		4-074	-	Maximum deflection
		4-075	20 W (+2 W/-0 W)	-
		4-076	20 W	-
		4-077	-	Maximum deflection
		4-078	10 W (+1 W/-0 W)	-
		4-079	10 W	-
		4-080	-	Maximum deflection
4-081	5 W (+1 W/-0 W)	-		
4-082	5 W	-		
4-083	-	Maximum deflection		

Alignment

Alignment parameter	Operation	POWER meter (Adjust to)	ALC Meter Zone (Adjust to)
14 MHz	Rotate the [MPVD] ring	4-084 202 W (+10 W/-2 W)	-
		4-085 200 W	-
		4-086 -	Maximum deflection
		4-087 101 W (+5 W/-1 W)	-
		4-088 100 W	-
		4-089 -	Maximum deflection
		4-090 50 W (+5 W/-0 W)	-
		4-091 50 W	-
		4-092 -	Maximum deflection
		4-093 20 W (+2 W/-0 W)	-
		4-094 20 W	-
		4-095 -	Maximum deflection
		4-096 10 W (+1 W/-0 W)	-
		4-097 10 W	-
4-098 -	Maximum deflection		
4-099 5 W (+1 W/-0 W)	-		
4-100 5 W	-		
4-101 -	Maximum deflection		
18 MHz	Rotate the [MPVD] ring	4-102 202 W (+10 W/-2 W)	-
		4-103 200 W	-
		4-104 -	Maximum deflection
		4-105 101 W (+5 W/-1 W)	-
		4-106 100 W	-
		4-107 -	Maximum deflection
		4-108 50 W (+5 W/-0 W)	-
		4-109 50 W	-
		4-110 -	Maximum deflection
		4-111 20 W (+2 W/-0 W)	-
		4-112 20 W	-
		4-113 -	Maximum deflection
		4-114 10 W (+1 W/-0 W)	-
		4-115 10 W	-
4-116 -	Maximum deflection		
4-117 5 W (+1 W/-0 W)	-		
4-118 5 W	-		
4-119 -	Maximum deflection		
21 MHz	Rotate the [MPVD] ring	4-120 202 W (+10 W/-2 W)	-
		4-121 200 W	-
		4-122 -	Maximum deflection
		4-123 101 W (+5 W/-1 W)	-
		4-124 100 W	-
		4-125 -	Maximum deflection
		4-126 50 W (+5 W/-0 W)	-
		4-127 50 W	-
		4-128 -	Maximum deflection
		4-129 20 W (+2 W/-0 W)	-
		4-130 20 W	-
		4-131 -	Maximum deflection
		4-132 10 W (+1 W/-0 W)	-
		4-133 10 W	-
4-134 -	Maximum deflection		
4-135 5 W (+1 W/-0 W)	-		
4-136 5 W	-		
4-137 -	Maximum deflection		
24 MHz	Rotate the [MPVD] ring	4-138 202 W (+10 W/-2 W)	-
		4-139 200 W	-
		4-140 -	Maximum deflection
		4-141 101 W (+5 W/-1 W)	-
		4-142 100 W	-
		4-143 -	Maximum deflection
		4-144 50 W (+5 W/-0 W)	-
		4-145 50 W	-
		4-146 -	Maximum deflection
		4-147 20 W (+2 W/-0 W)	-
		4-148 20 W	-
		4-149 -	Maximum deflection
		4-150 10 W (+1 W/-0 W)	-
		4-151 10 W	-
4-152 -	Maximum deflection		
4-153 5 W (+1 W/-0 W)	-		
4-154 5 W	-		
4-155 -	Maximum deflection		

Alignment parameter	Operation	POWER meter (Adjust to)	ALC Meter Zone (Adjust to)
28 MHz	Rotate the [MPVD] ring	4-156 202 W (+10 W/-2 W)	-
		4-157 200 W	-
		4-158 -	Maximum deflection
		4-159 101 W (+5 W/-1 W)	-
		4-160 100 W	-
		4-161 -	Maximum deflection
		4-162 50 W (+5 W/-0 W)	-
		4-163 50 W	-
		4-164 -	Maximum deflection
		4-165 20 W (+2 W/-0 W)	-
		4-166 20 W	-
		4-167 -	Maximum deflection
		4-168 10 W (+1 W/-0 W)	-
		4-169 10 W	-
4-170 -	Maximum deflection		
4-171 5 W (+1 W/-0 W)	-		
4-172 5 W	-		
4-173 -	Maximum deflection		
50 MHz	Rotate the [MPVD] ring	4-174 202 W (+10 W/-2 W)	-
		4-175 200 W	-
		4-176 -	Maximum deflection
		4-177 101 W (+5 W/-1 W)	-
		4-178 100 W	-
		4-179 -	Maximum deflection
		4-180 50 W (+5 W/-0 W)	-
		4-181 50 W	-
		4-182 -	Maximum deflection
		4-183 20 W (+2 W/-0 W)	-
		4-184 20 W	-
		4-185 -	Maximum deflection
		4-186 10 W (+1 W/-0 W)	-
		4-187 10 W	-
4-188 -	Maximum deflection		
4-189 5 W (+1 W/-0 W)	-		
4-190 5 W	-		
4-191 -	Maximum deflection		

European version only

70 MHz	Rotate the [MPVD] ring	4-192 50 W (+5 W/-0 W)	-
		4-193 50 W	-
		4-194 -	Maximum deflection
		4-195 20 W (+2 W/-0 W)	-
		4-196 20 W	-
		4-197 -	Maximum deflection
		4-198 10 W (+1 W/-0 W)	-
		4-199 10 W	-
		4-200 -	Maximum deflection
		4-201 5 W (+1 W/-0 W)	-
		4-202 5 W	-
		4-203 -	Maximum deflection

- ❑ Perform the same procedures for the Alignment parameter “4-015 100W FALC 1.8” through “4-029 5W TXG 1.8” as indicated by the chart on the previous page.
- ❑ Perform the same procedures for the Alignment parameter “4-030 200W FALC 3.5” through “4-191 5W TXG 50” (European version: “4-203 5W TXG 70”) as indicated by the chart on the previous page.
- ❑ Press and hold in the [S.MENU] button to save the new setting and exit the alignment mode.

PA Unit Adjustment (FTDX101D)

Preparation

- ❑ Connect the 50-Ohm Dummy Load and Wattmeter to the “ANT 1” jack.
- ❑ Disconnect the coaxial cables from J5001 and J5007 on the PA Unit, then terminate J5001 and J5007, each with a 50-Ohm resistor.
- ❑ Disconnect the jumper plugs from J5004 and J5005 on the PA Unit.

Pre-Drive Stage Idling Current Adjustment

- ❑ Connect the DC ammeter to J5004 on the PA Unit.
- ❑ Press and hold the PTT button then adjust the VR5005 so that the DC ammeter reading is “360 mA (+50 mA/-0 mA)”.
- ❑ Press and hold the PTT button then adjust the VR5001 so that the DC ammeter reading is “360 mA (± 10 mA)”.
- ❑ Release the PTT button.

Drive Stage Idling Current Adjustment

- ❑ Connect the DC ammeter to J5005 on the PA Unit.

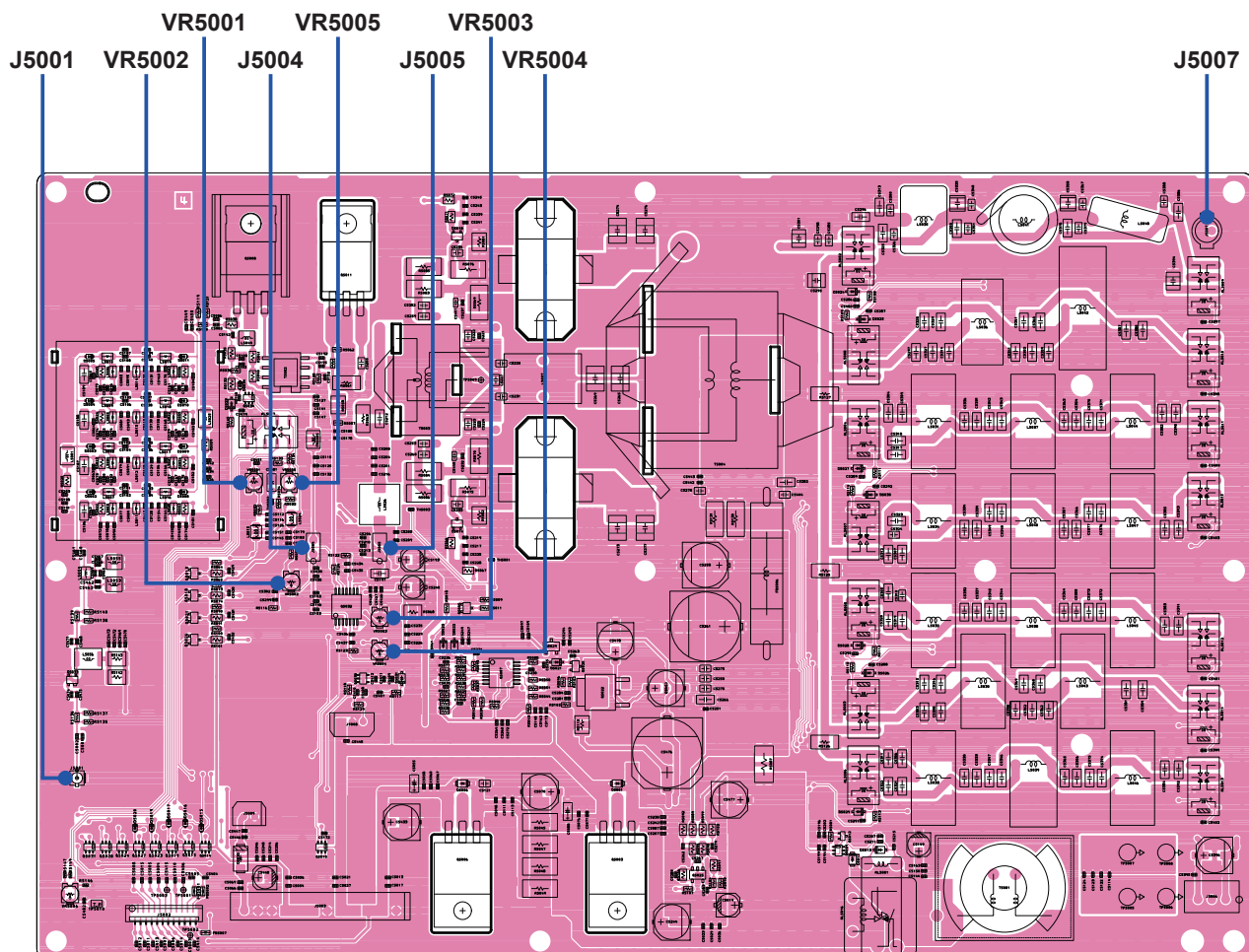
- ❑ Press and hold the PTT button then adjust the VR5002 so that the DC ammeter reading is “1.0 A (± 100 mA)”.
- ❑ Release the PTT button.

Final Stage Idling Current Adjustment

- ❑ Connect the DC ammeter between External Power supply and FTDX101D.
- ❑ Press and hold the PTT button, while adjusting the VR5003 so that the DC ammeter reading is “1.0 A (± 100 mA)”.
- ❑ Press and hold the PTT button, while adjusting the VR5004 so that the DC ammeter reading is “2.0 A (± 200 mA)”.
- ❑ Release the PTT button.

Termination

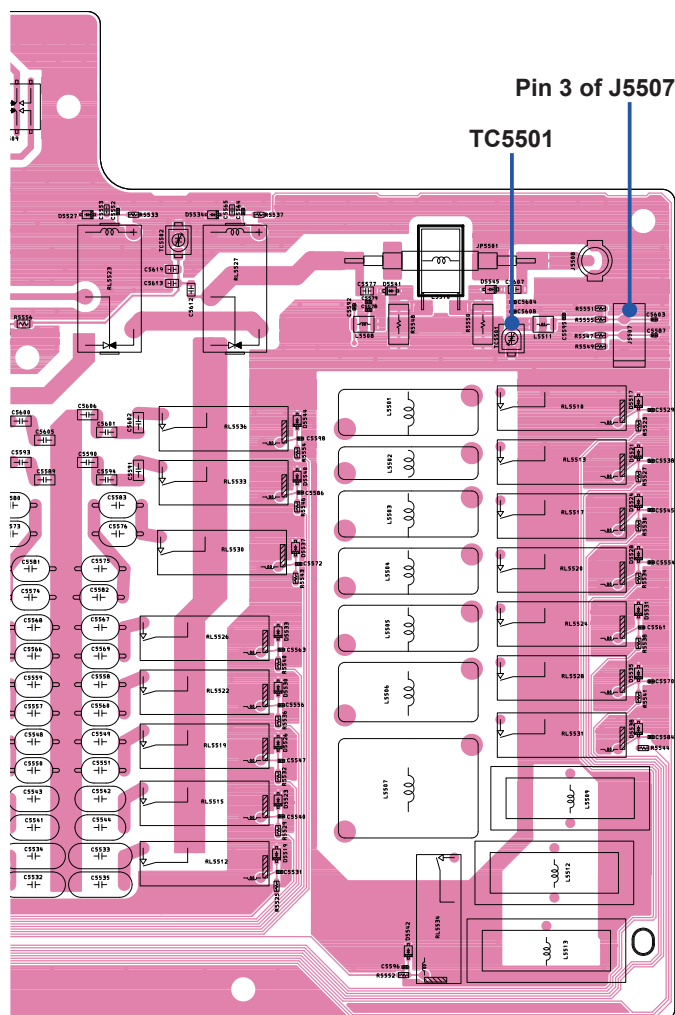
- ❑ Disconnect the 50-Ohm resistors from J5001 and J5007, then connect the coaxial cables to J5001 and J5007.
- ❑ Re-connect the jumper plugs to J5004 and J5005.



Antenna Tuner Adjustment

CM Coupler Balance Adjustment

- ❑ Connect the 50-Ohm Dummy Load and Wattmeter to the “ANT 1” jack.
- ❑ Connect the Digital DC voltmeter (high-Z) to pin 3 of J5507 on the TUNER Unit.
- ❑ Turn off the [TUNE] switch, then set the Main Band frequency to 24.900 MHz in the CW-USB mode.
- ❑ Press and hold in the [MODE], [SSB] and [CW] keys, while turning the radio on, to enter the alignment mode.
- ❑ Rotate the [MULTI] knob to select the alignment parameter “4-008 I-ALC 24”.
- ❑ Press and hold the PTT button, while adjusting the [MPVD] ring for 50 Watts on the Wattmeter.
- ❑ Adjust TC5501 on the TUNER Unit for minimum deflection on the DC voltmeter (less than 0.1 V).
- ❑ Release the PTT button.
- ❑ Press the [S.MENU] button.



Current ALC Adjustment

- ❑ Connect the 50-Ohm Dummy Load and Wattmeter to the “ANT 1” jack.
- ❑ Set the operating mode to “CW-USB”.
- ❑ Press and hold in the [MODE], [SSB] and [CW] keys, while turning the radio on, to enter the alignment mode.
- ❑ Rotate the [MULTI] knob to select the alignment parameter “4-001 I-ALC 1.8” for the 1.8 MHz amateur band's ALC Adjustment.
- ❑ Key the transmitter, then adjusting the [MPVD] ring for 110 W on the Wattmeter.
- ❑ Unkey the transmitter, then rotate the [MPVD] ring so that the parameter indication “10” increase.
- ❑ Rotate the [MULTI] knob to select the alignment parameter “4-002 I-ALC 3.5” for the 3.5 MHz amateur band's ALC Adjustment.
- ❑ Key the transmitter, then adjusting the [MPVD] ring for 110 W on the Wattmeter.
- ❑ Unkey the transmitter, then rotate the [MPVD] ring so that the parameter indication “10” increase.
- ❑ Rotate the [MULTI] knob to select the alignment parameter “4-003 I-ALC 7” for the 7 MHz amateur band's ALC Adjustment.
- ❑ Key the transmitter, then adjusting the [MPVD] ring for 110 W on the Wattmeter.
- ❑ Unkey the transmitter, then rotate the [MPVD] ring so that the parameter indication “10” increase.
- ❑ Rotate the [MULTI] knob to select the alignment parameter “4-004 I-ALC 10” for the 10 MHz amateur band's ALC Adjustment.
- ❑ Key the transmitter, then adjusting the [MPVD] ring for 110 W on the Wattmeter.
- ❑ Unkey the transmitter, then rotate the [MPVD] ring so that the parameter indication “10” increase.
- ❑ Rotate the [MULTI] knob to select the alignment parameter “4-005 I-ALC 14” for the 14 MHz amateur band's ALC Adjustment.
- ❑ Key the transmitter, then adjusting the [MPVD] ring for 110 W on the Wattmeter.
- ❑ Unkey the transmitter, then rotate the [MPVD] ring so that the parameter indication “10” increase.
- ❑ Rotate the [MULTI] knob to select the alignment parameter “4-006 I-ALC 18” for the 18 MHz amateur band's ALC Adjustment.

- ❑ Key the transmitter, then adjusting the [MPVD] ring for 110 W on the Wattmeter.
- ❑ Unkey the transmitter, then rotate the [MPVD] ring so that the parameter indication “10” increase.
- ❑ Rotate the [MULTI] knob to select the alignment parameter “4-007 I-ALC 21” for the 21 MHz amateur band's ALC Adjustment.
- ❑ Key the transmitter, then adjusting the [MPVD] ring for 110 W on the Wattmeter.
- ❑ Unkey the transmitter, then rotate the [MPVD] ring so that the parameter indication “10” increase.
- ❑ Rotate the [MULTI] knob to select the alignment parameter “4-008 I-ALC 24” for the 24 MHz amateur band's ALC Adjustment.
- ❑ Key the transmitter, then adjusting the [MPVD] ring for 110 W on the Wattmeter.
- ❑ Unkey the transmitter, then rotate the [MPVD] ring so that the parameter indication “10” increase.
- ❑ Rotate the [MULTI] knob to select the alignment parameter “4-009 I-ALC 28” for the 28 MHz amateur band's ALC Adjustment.
- ❑ Key the transmitter, then adjusting the [MPVD] ring for 110 W on the Wattmeter.
- ❑ Unkey the transmitter, then rotate the [MPVD] ring so that the parameter indication “10” increase.
- ❑ Rotate the [MULTI] knob to select the alignment parameter “4-010 I-ALC 50” for the 50 MHz amateur band's ALC Adjustment.
- ❑ Key the transmitter, then adjusting the [MPVD] ring for 110 W on the Wattmeter.
- ❑ Unkey the transmitter, then rotate the [MPVD] ring so that the parameter indication “10” increase.

European version only

- ❑ Rotate the [MULTI] knob to select the alignment parameter “4-011 I-ALC 70” for the 70 MHz amateur band's ALC Adjustment.
- ❑ Key the transmitter, then adjusting the [MPVD] ring for 60 W on the Wattmeter.
- ❑ Unkey the transmitter, then rotate the [MPVD] ring so that the parameter indication “10” increase.
- ❑ Press and hold in the [S.MENU] button to save the new setting and exit the alignment mode.

ALC Meter Adjustment

- ❑ Connect the 50-Ohm Dummy Load and Wattmeter to the “ANT 1” jack.
- ❑ Press and hold in the [MODE], [SSB] and [CW] keys, while turning the radio on, to enter the alignment mode.
- ❑ Set the Main Band frequency to 14.200 MHz in the CW-USB mode.
- ❑ Rotate the [MULTI] knob to select the alignment parameter “4-089 100W TXG 14”.
- ❑ Rotate the [MPVD] ring so that the parameter indication “255”.
- ❑ Rotate the [MULTI] knob to select the alignment parameter “4-087 100W FALC 14”.
- ❑ Rotate the [MPVD] ring so that the parameter indication “0”.
- ❑ Key the transmitter, then rotate the [MPVD] ring for 100 W (+5W/-0W) on the Wattmeter.
- ❑ Unkey the transmitter.
- ❑ Set the USB mode.
- ❑ Rotate the [MULTI] knob to select the alignment parameter “4-215 ALC MTR”.
- ❑ Set the MIC GAIN to “50”.
- ❑ Connect the Audio Generator to pin 8 of the MIC jack (pin 7: GND), then set the output level to 0.5 mV @1 kHz.
- ❑ Press and hold the PTT button, then adjust the Audio Generator output level to the position where the ALC meter just starts to deflect.
- ❑ Release the PTT button.
- ❑ Increase the Audio Generator output level by “4.5 dBm”.
- ❑ Press the PTT button, then press the [MULTI] knob *while pressing and holding in the PTT button*.
- ❑ Release the PTT button.
- ❑ Press the PTT button, *while pressing and holding in the PTT button*, then rotate the [MPVD] ring to set “S9+20” on the ALC meter zone.
- ❑ Press the [MULTI] knob *while pressing and holding in the PTT button*.
- ❑ Release the PTT button, then press and hold in the [S.MENU] button to save the new setting and exit the alignment mode.



TX Output Power/PO Meter/TXG

Adjustment

- Referring to table below, tune the transceiver to each frequency listed.

Band	Main Band Frequency	Mode
1.8 MHz Band	1.820 MHz	CW-USB
3.5 MHz Band	3.575 MHz	CW-USB
7 MHz Band	7.050 MHz	CW-USB
10 MHz Band	10.100 MHz	CW-USB
14 MHz Band	14.200 MHz	CW-USB
18 MHz Band	18.100 MHz	CW-USB
21 MHz Band	21.200 MHz	CW-USB
24.5 MHz Band	24.900 MHz	CW-USB
28 MHz Band	28.700 MHz	CW-USB
50 MHz Band	51.900 MHz	CW-USB

- Connect the 50-Ohm Dummy Load and Wattmeter to the “ANT 1” jack.
- Set the Main Band frequency to 1.820 MHz in the CW-USB mode.
- Press and hold in the [MODE], [SSB] and [CW] keys, while turning the radio on, to enter the alignment mode.

- Rotate the [MULTI] knob to select the alignment parameter “4-015 100W FALC 1.8”.
- Press and hold the PTT button, then rotate the [MPVD] ring for 101 W (+5W/-1W) on the Wattmeter.
- Release the PTT button.
- Rotate the [MULTI] knob to select the alignment parameter “4-016 100W MTR 1.8”.
- Press and hold the PTT button, then rotate the [MPVD] ring for 100 W on the PO meter.
- Release the PTT button.
- Rotate the [MULTI] knob to select the alignment parameter “4-017 100W TXG 1.8”.
- Press and hold the PTT button, then rotate the [MPVD] ring for maximum deflection on the ALC meter zone.
- Release the PTT button.

Alignment parameter	Operation	POWER meter (Adjust to)	ALC Meter Zone (Adjust to)
1.8 MHz	Rotate the [MPVD] ring	4-015 101 W (+5 W/-1 W)	-
		4-016 100 W	-
		4-017 -	Maximum deflection
		4-018 50 W (+5 W/-0 W)	-
		4-019 50 W	-
		4-020 -	Maximum deflection
		4-021 20 W (+2 W/-0 W)	-
		4-022 20 W	-
		4-023 -	Maximum deflection
		4-024 10 W (+1 W/-0 W)	-
		4-025 10 W	-
		4-026 -	Maximum deflection
		4-027 5 W (+1 W/-0 W)	-
		4-028 5 W	-
4-029 -	Maximum deflection		
3.5 MHz	Rotate the [MPVD] ring	4-033 101 W (+5 W/-1 W)	-
		4-034 100 W	-
		4-035 -	Maximum deflection
		4-036 50 W (+5 W/-0 W)	-
		4-037 50 W	-
		4-038 -	Maximum deflection
		4-039 20 W (+2 W/-0 W)	-
		4-040 20 W	-
		4-041 -	Maximum deflection
		4-042 10 W (+1 W/-0 W)	-
		4-043 10 W	-
		4-044 -	Maximum deflection
		4-045 5 W (+1 W/-0 W)	-
		4-046 5 W	-
4-047 -	Maximum deflection		

Alignment parameter	Operation	POWER meter (Adjust to)	ALC Meter Zone (Adjust to)
7 MHz	Rotate the [MPVD] ring	4-051 101 W (+5 W/-1 W)	-
		4-052 100 W	-
		4-053 -	Maximum deflection
		4-054 50 W (+5 W/-0 W)	-
		4-055 50 W	-
		4-056 -	Maximum deflection
		4-057 20 W (+2 W/-0 W)	-
		4-058 20 W	-
		4-059 -	Maximum deflection
		4-060 10 W (+1 W/-0 W)	-
		4-061 10 W	-
		4-062 -	Maximum deflection
		4-063 5 W (+1 W/-0 W)	-
		4-064 5 W	-
4-065 -	Maximum deflection		
10 MHz	Rotate the [MPVD] ring	4-069 101 W (+5 W/-1 W)	-
		4-070 100 W	-
		4-071 -	Maximum deflection
		4-072 50 W (+5 W/-0 W)	-
		4-073 50 W	-
		4-074 -	Maximum deflection
		4-075 20 W (+2 W/-0 W)	-
		4-076 20 W	-
		4-077 -	Maximum deflection
		4-078 10 W (+1 W/-0 W)	-
		4-079 10 W	-
		4-080 -	Maximum deflection
		4-081 5 W (+1 W/-0 W)	-
		4-082 5 W	-
4-083 -	Maximum deflection		

Alignment

Alignment parameter	Operation	POWER meter (Adjust to)	ALC Meter Zone (Adjust to)
14 MHz	Rotate the [MPVD] ring	4-087 101 W (+5 W/-1 W)	-
		4-088 100 W	-
		4-089 -	Maximum deflection
		4-090 50 W (+5 W/-0 W)	-
		4-091 50 W	-
		4-092 -	Maximum deflection
		4-093 20 W (+2 W/-0 W)	-
		4-094 20 W	-
		4-095 -	Maximum deflection
		4-096 10 W (+1 W/-0 W)	-
		4-097 10 W	-
		4-098 -	Maximum deflection
		4-099 5 W (+1 W/-0 W)	-
		4-100 5 W	-
4-101 -	Maximum deflection		
18 MHz	Rotate the [MPVD] ring	4-105 101 W (+5 W/-1 W)	-
		4-106 100 W	-
		4-107 -	Maximum deflection
		4-108 50 W (+5 W/-0 W)	-
		4-109 50 W	-
		4-110 -	Maximum deflection
		4-111 20 W (+2 W/-0 W)	-
		4-112 20 W	-
		4-113 -	Maximum deflection
		4-114 10 W (+1 W/-0 W)	-
		4-115 10 W	-
		4-116 -	Maximum deflection
		4-117 5 W (+1 W/-0 W)	-
		4-118 5 W	-
4-119 -	Maximum deflection		
21 MHz	Rotate the [MPVD] ring	4-123 101 W (+5 W/-1 W)	-
		4-124 100 W	-
		4-125 -	Maximum deflection
		4-126 50 W (+5 W/-0 W)	-
		4-127 50 W	-
		4-128 -	Maximum deflection
		4-129 20 W (+2 W/-0 W)	-
		4-130 20 W	-
		4-131 -	Maximum deflection
		4-132 10 W (+1 W/-0 W)	-
		4-133 10 W	-
		4-134 -	Maximum deflection
		4-135 5 W (+1 W/-0 W)	-
		4-136 5 W	-
4-137 -	Maximum deflection		
24 MHz	Rotate the [MPVD] ring	4-141 101 W (+5 W/-1 W)	-
		4-142 100 W	-
		4-143 -	Maximum deflection
		4-144 50 W (+5 W/-0 W)	-
		4-145 50 W	-
		4-146 -	Maximum deflection
		4-147 20 W (+2 W/-0 W)	-
		4-148 20 W	-
		4-149 -	Maximum deflection
		4-150 10 W (+1 W/-0 W)	-
		4-151 10 W	-
		4-152 -	Maximum deflection
		4-153 5 W (+1 W/-0 W)	-
		4-154 5 W	-
4-155 -	Maximum deflection		

Alignment parameter	Operation	POWER meter (Adjust to)	ALC Meter Zone (Adjust to)
28 MHz	Rotate the [MPVD] ring	4-159 101 W (+5 W/-1 W)	-
		4-160 100 W	-
		4-161 -	Maximum deflection
		4-162 50 W (+5 W/-0 W)	-
		4-163 50 W	-
		4-164 -	Maximum deflection
		4-165 20 W (+2 W/-0 W)	-
		4-166 20 W	-
		4-167 -	Maximum deflection
		4-168 10 W (+1 W/-0 W)	-
		4-169 10 W	-
		4-170 -	Maximum deflection
		4-171 5 W (+1 W/-0 W)	-
		4-172 5 W	-
4-173 -	Maximum deflection		
50 MHz	Rotate the [MPVD] ring	4-177 101 W (+5 W/-1 W)	-
		4-178 100 W	-
		4-179 -	Maximum deflection
		4-180 50 W (+5 W/-0 W)	-
		4-181 50 W	-
		4-182 -	Maximum deflection
		4-183 20 W (+2 W/-0 W)	-
		4-184 20 W	-
		4-185 -	Maximum deflection
		4-186 10 W (+1 W/-0 W)	-
		4-187 10 W	-
		4-188 -	Maximum deflection
		4-189 5 W (+1 W/-0 W)	-
		4-190 5 W	-
4-191 -	Maximum deflection		

European version only

Alignment parameter	Operation	POWER meter (Adjust to)	ALC Meter Zone (Adjust to)
70 MHz	Rotate the [MPVD] ring	4-192 50 W (+5 W/-0 W)	-
		4-193 50 W	-
		4-194 -	Maximum deflection
		4-195 20 W (+2 W/-0 W)	-
		4-196 20 W	-
		4-197 -	Maximum deflection
		4-198 10 W (+1 W/-0 W)	-
		4-199 10 W	-
		4-200 -	Maximum deflection
		4-201 5 W (+1 W/-0 W)	-
		4-202 5 W	-
		4-203 -	Maximum deflection

- ❑ Perform the same procedures for the Alignment parameter “4-018 50W FALC 1.8” through “4-029 5W TXG 1.8” as indicated by the chart on the previous page.
- ❑ Perform the same procedures for the Alignment parameter “4-033 100W FALC 3.5” through “4-191 5W TXG 50” (European version: “4-203 5W TXG 70”) as indicated by the chart on the previous page.
- ❑ Press and hold in the [S.MENU] button to save the new setting and exit the alignment mode.

REV-ALC Adjustment


- ❑ Connect the 100-Ohm (FTDX101MP) or 16.6-Ohm (FTDX101D) Dummy Load to the “ANT 1” jack.
- ❑ Press and hold in the [MODE], [SSB] and [CW] keys, while turning the radio on, to enter the alignment mode.
- ❑ Rotate the [MULTI] knob to select the alignment parameter “4-204 REV ALC 1.8”.
- ❑ Press and hold the PTT button, then rotate the [MPVD] ring so that the PO meter (on the front panel) reading is FTDX101MP (150 W (+0 W/-20 W)) or FTDX101D (50 W (+0 W/-20 W)).
- ❑ Press the [MULTI] knob, then release the PTT button.
- ❑ Perform the same procedures for the Alignment Menus “4-205 REV ALC 3.5” through “4-213 REV ALC 50”.

Alignment Parameter	PO Mmeter	
	FTDX101D	FTDX101MP
4-204 REV ALC 1.8	50 W (+0 W/-20 W)	150 W (+0 W/-20 W)
4-205 REV ALC 3.5		
4-206 REV ALC 7.0		
4-207 REV ALC 10		
4-208 REV ALC 14		
4-209 REV ALC 18		
4-210 REV ALC 21	40 W (+0 W/-20 W)	
4-211 REV ALC 24		
4-212 REV ALC 28		
4-213 REV ALC 50		
	30 W (+0 W/-20 W)	

European version only

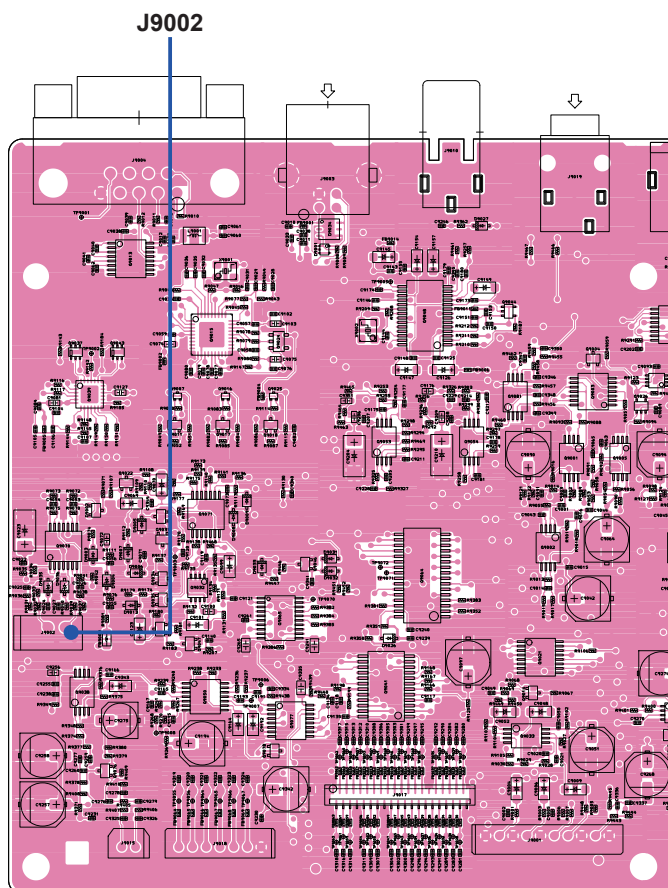
- ❑ Connect the 16.6-Ohm (FTDX101MP) Dummy Load to the “ANT 1” jack.
- ❑ Rotate the [MULTI] knob to select the alignment parameter “4-214 REV ALC 70”.
- ❑ Press and hold the PTT button, then rotate the [MPVD] ring so that the PO meter (on the front panel) reading is 25 W (+0 W/-20 W).
- ❑ Press the [MULTI] knob, then release the PTT button.
- ❑ Press and hold in the [S.MENU] button to save the new setting and exit the alignment mode.

FM MAX Deviation Adjustment

- ❑ Connect the Dummy Load, Wattmeter, and Deviation Meter to the “ANT 1” Jack.
 - ❑ Set the value of Menu item (RADIO SETTING → MODE FM → MIC GAIN) “MIC GAIN” to “50”.
 - ❑ Connect the Audio Generator to pin 8 of the MIC jack (pin 7: GND), then set the output level to 5 mV @1 kHz.
- 
- ❑ Press and hold in the [MODE], [SSB] and [CW] keys, while turning the radio on, to enter the alignment mode.
 - ❑ Rotate the [MULTI] knob to select the alignment parameter “4-216 FM DEV”.
 - ❑ Press and hold the PTT button, then rotate the [MPVD] ring for 4.5 kHz (± 0.2 kHz) on the Deviation Meter.
 - ❑ Release the PTT button.
 - ❑ Rotate the Main Tuning Dial knob to select the alignment parameter “4-217 FM-N DEV”.
 - ❑ Press and hold the PTT button, then rotate the [MPVD] ring for 2.25 kHz (± 0.1 kHz) on the Deviation Meter.
 - ❑ Release the PTT button.
 - ❑ Press and hold in the [S.MENU] button to save the new setting and exit the alignment mode.

SWR Meter Adjustment

- ❑ Connect the 50-Ohm Dummy Load and Wattmeter to the “ANT 1” Jack.
- ❑ Disconnect the 3-pin plug from J9002 on the AF Unit, then apply a 4.20 V DC voltage to pin 2 of J9002, and 0.84 V DC to pin 3 of J9002.
- ❑ Set the MIC GAIN to Minimum.
- ❑ Press and hold in the [MODE], [SSB] and [CW] keys, while turning the radio on, to enter the alignment mode.
- ❑ Rotate the [MULTI] knob to select the alignment parameter “4-221 SWR-MTRCO 1.8”.
- ❑ Rotate the [MPVD] ring so that the parameter indication “128”.
- ❑ Rotate the [MULTI] knob to select the alignment parameter “4-218 SWR-MTR1.5 1.8”.
- ❑ Rotate the [MPVD] ring so that the parameter indication “50”.
- ❑ Press and hold the PTT button, then rotate the [MPVD] ring so that the SWR meter (on the front panel) reading is “1.5”. The SWR meter reading (1.5) is broad (few points). Therefore, set the [MPVD] ring to the center of this broad range.
- ❑ Release the PTT button.



- ❑ Apply a 4.20 V DC voltage to pin 2 of J9002, and 1.40 V DC to pin 3 of J9002.
- ❑ Rotate the [MULTI] knob to select the alignment parameter “4-219 SWR-MTR2.0 1.8”.
- ❑ Rotate the [MPVD] ring so that the parameter indication “90”.
- Note:* Please do not change the the Alignment parameter “4-221 SWR-MTRCO 1.8”. This parameter is always “128”.
- ❑ Press and hold the PTT button, then rotate the [MPVD] ring so that the SWR meter (on the front panel) reading is “2.0.” The SWR meter reading (2.0) is broad (few points). Therefore, set the [MPVD] ring to the center of this broad range.
- ❑ Release the PTT button.
- ❑ Apply a 4.20 V DC voltage to pin 2 of J9002, and 2.10 V DC to pin 3 of J9002.
- ❑ Rotate the [MULTI] knob to select the alignment parameter “4-220 SWR-MTR3.0 1.8”.
- ❑ Rotate the [MPVD] ring so that the parameter indication “128”.
- Note:* Please do not change the the Alignment parameter “4-221 SWR-MTRCO 1.8”. This parameter is always “128”.
- ❑ Press and hold the PTT button, then rotate the [MPVD] ring so that the SWR meter (on the front panel) reading is “3.0.” The SWR meter reading (3.0) is broad (few points). Therefore, set the [MPVD] ring to the center of this broad range.
- ❑ Release the PTT button.
- ❑ Perform the same procedures for the Alignment Menus “4-222 SWR-MTR1.5 14” through “4-224 SWR-MTR3.0 14”, “4-226 SWR-MTR1.5 50” through “4-228 SWR-MTR3.0 50”.
- Note:* Please do not change the the Alignment parameters “4-221 SWR-MTR CO 1.8”, “4-225 SWR-MTR CO 14” and “4-229 SWR-MTR CO 50”. These parameters are always “128”.
- ❑ Press and hold in the [S.MENU] button to save the new setting and exit the alignment mode.
- ❑ Connect the 3-pin plug to J9002 on the AF Unit.

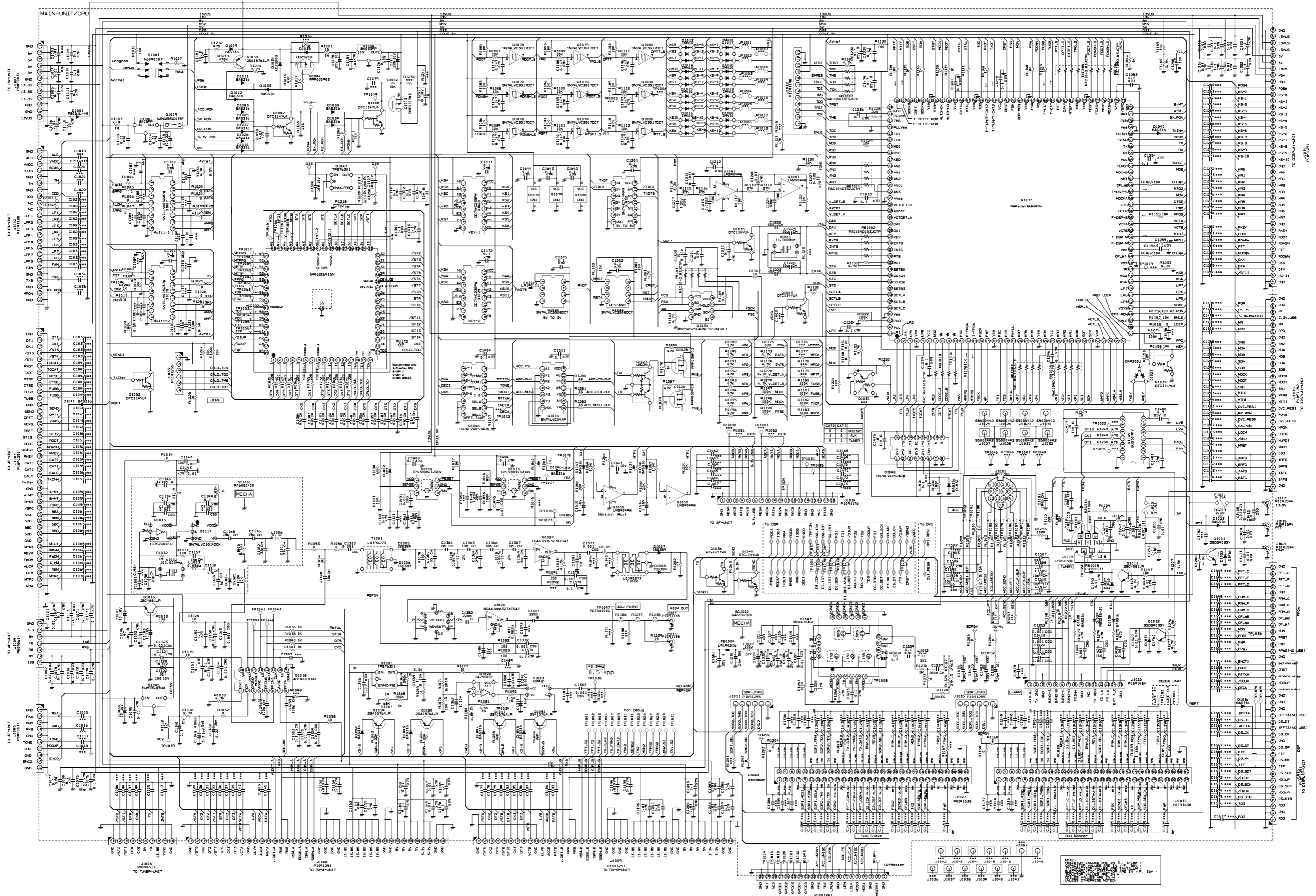
Important Notice: If it will be in a transceiver transmitting state, without connecting the 3-pin plug to J9002, there is a possibility that a final transistor may break.

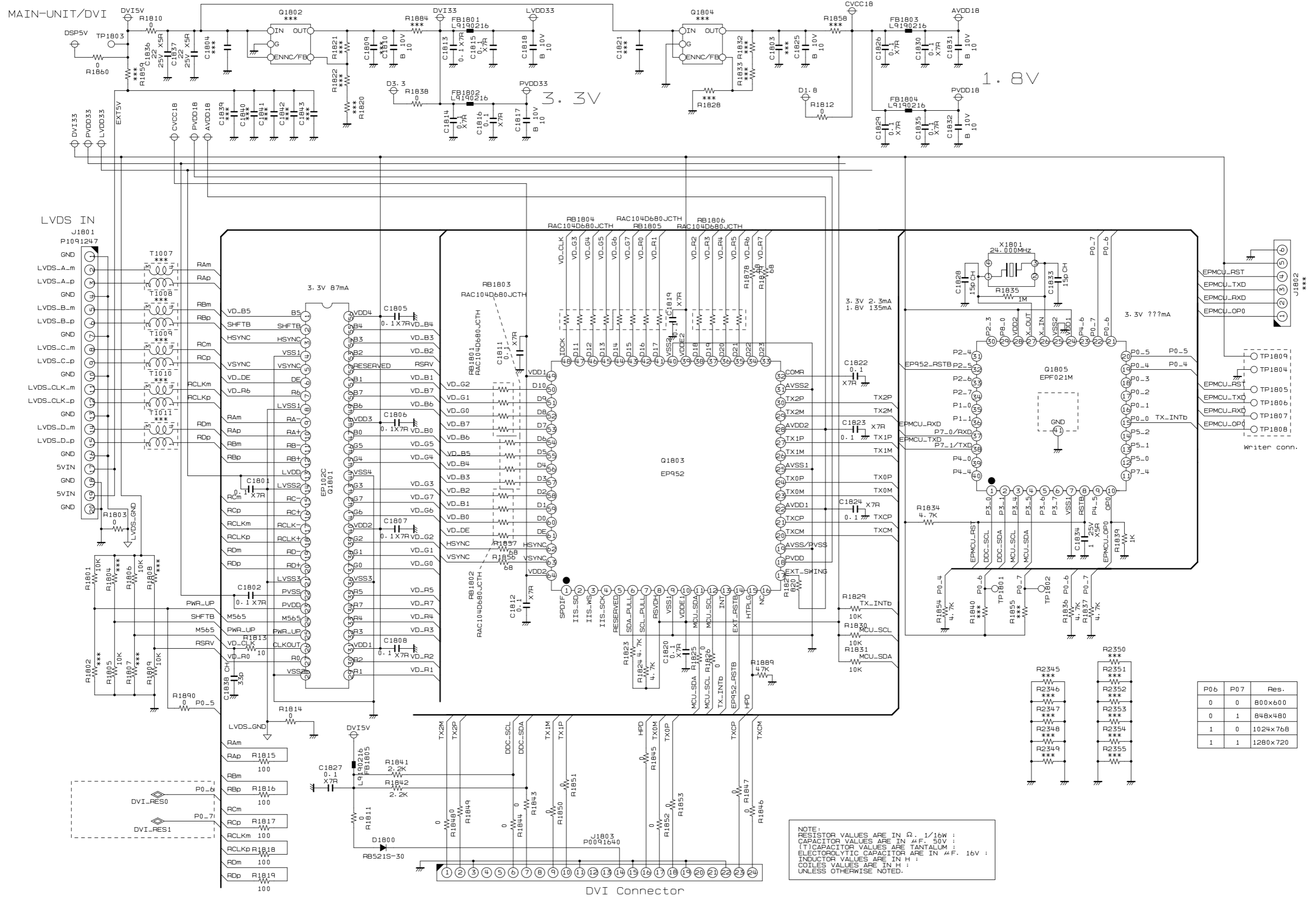
IDD Meter Adjustment

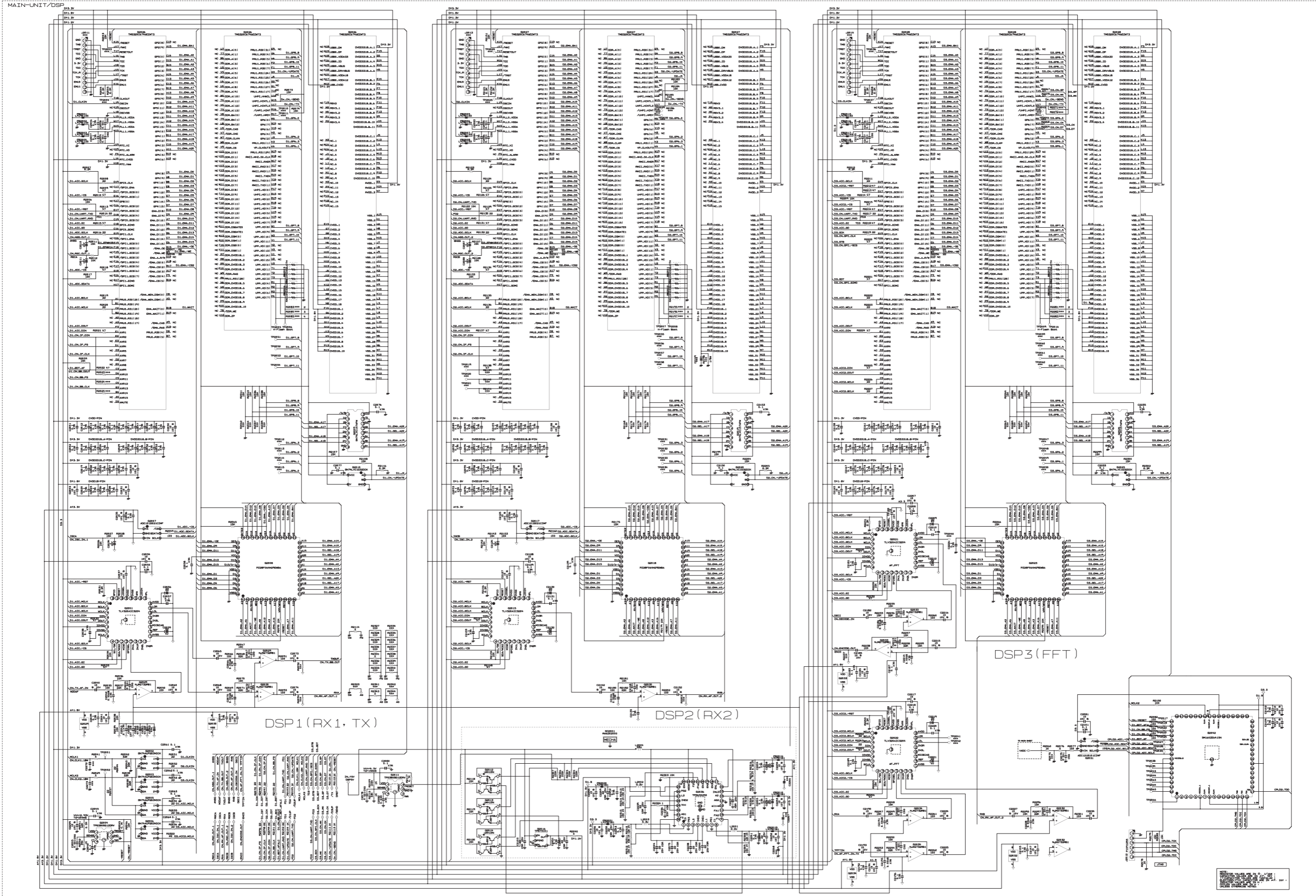
- ❑ Connect the DC ammeter between External Power supply and Transceiver.
- ❑ Set the Main Band frequency to 14.200 MHz in the CW mode.
- ❑ Press and hold in the [MODE], [SSB] and [CW] keys, while turning the radio on, to enter the alignment mode.
- ❑ Rotate the [MULTI] knob to select the alignment parameter "4-230 IDD MTR".
- ❑ Key the transmitter, then rotate the [MPVD] ring so that the ID meter reading is same as that on the DC ammeter
- ❑ Press the [MULTI] key, then unkey the transmitter.
- ❑ Press and hold in the [S.MENU] button to save the new setting and exit the alignment mode.

COMP Meter Adjustment

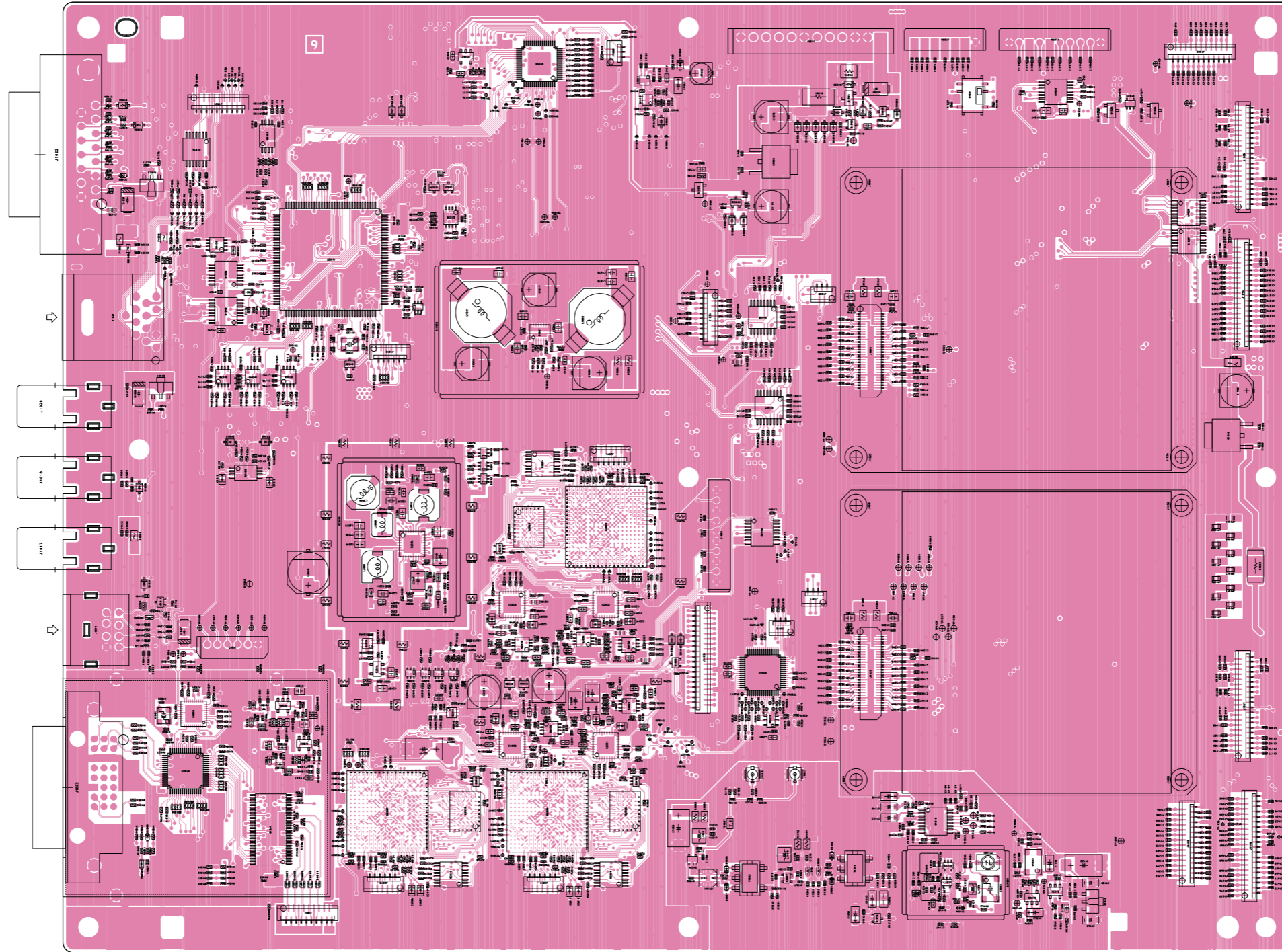
- ❑ Press and hold in the [MODE], [SSB] and [CW] keys, while turning the radio on, to enter the alignment mode.
- ❑ Rotate the [MULTI] knob to select the alignment parameter "4-231 COMP MTR 10dB", then rotate the [MPVD] ring for "10 dB" on the COMP meter.
- ❑ Rotate the [MULTI] knob to select the alignment parameter "4-232 COMP MTR 20dB", then rotate the [MPVD] ring for "20 dB" on the COMP meter.
- ❑ Rotate the [MULTI] knob to select the alignment parameter "4-233 COMP MTR 30dB", then rotate the [MPVD] ring so that the COMP meter deflects to full scale.
- ❑ Press and hold in the [S.MENU] button to save the new setting and exit the alignment mode.



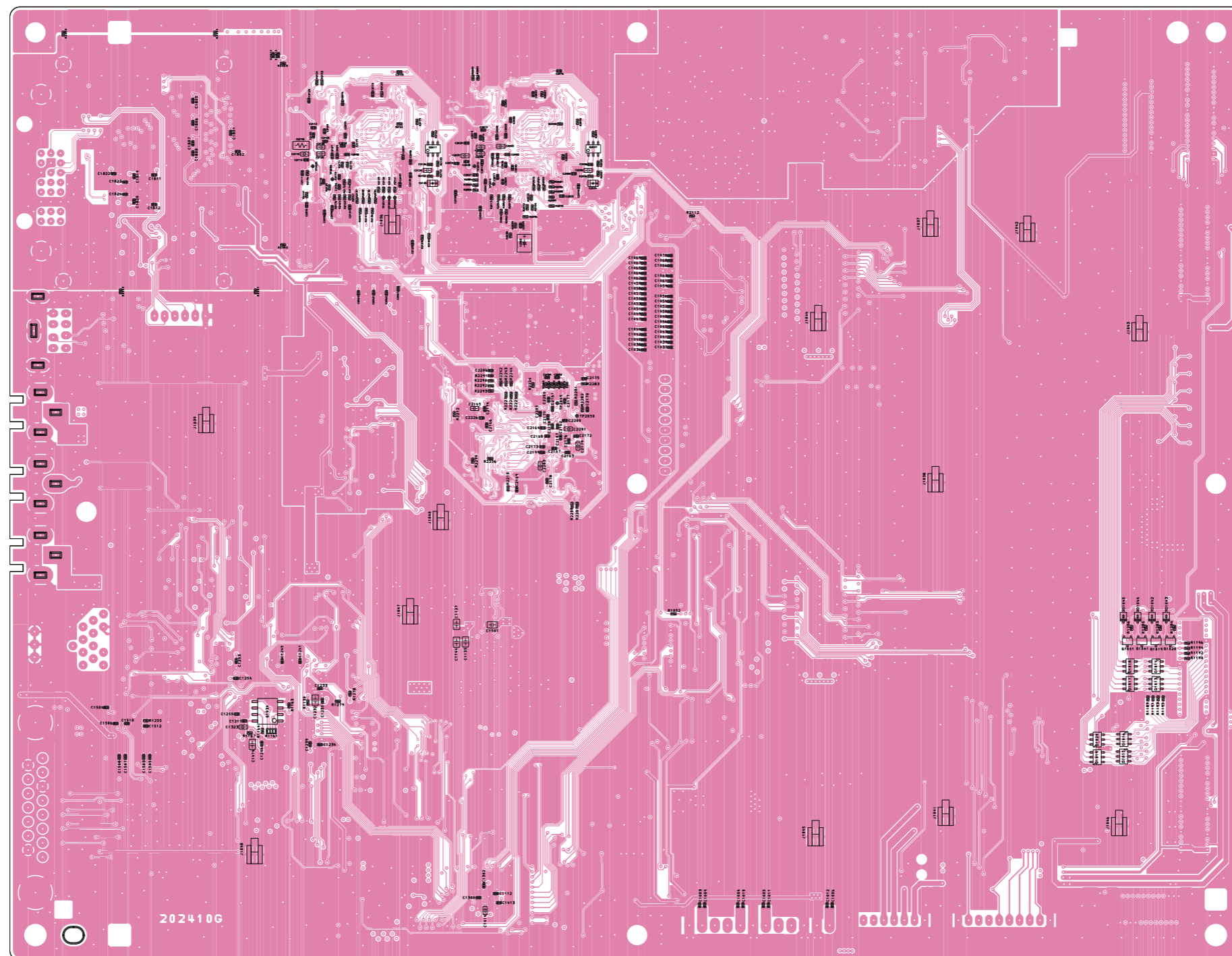




MAIN Unit
Parts Layout (side A)



MAIN Unit
Parts Layout (side B)



MAIN-5

MAIN Unit Parts List

REF	DESCRIPTION	VALUE	V/W	TOL.	MFR'S DESIG	YAESU P/N	VERS.	LOT	SIDE	LAY ADR
C 1001	CHIP CAP.	0.01uF	50V	X7R	GRM155R71H103KA88D	K22178848		1-	A	
C 1002	CHIP CAP.	0.01uF	50V	X7R	GRM155R71H103KA88D	K22178848		1-	A	
C 1003	CHIP CAP.	0.01uF	50V	X7R	GRM155R71H103KA88D	K22178848		1-	B	
C 1004	CHIP CAP.	0.01uF	50V	X7R	GRM155R71H103KA88D	K22178848		1-	B	
C 1005	CHIP CAP.	0.01uF	50V	X7R	GRM155R71H103KA88D	K22178848		1-	B	
C 1006	CHIP CAP.	0.01uF	50V	X7R	GRM155R71H103KA88D	K22178848		1-	B	
C 1007	CHIP CAP.	0.1uF	50V	X7R	GRM155R71H104KE14D	K22178872		1-	A	
C 1008	CHIP CAP.	0.1uF	50V	X7R	GRM155R71H104KE14D	K22178872		1-	A	
C 1009	CHIP CAP.	0.1uF	50V	X7R	GRM155R71H104KE14D	K22178872		1-	B	
C 1010	CHIP CAP.	0.1uF	50V	X7R	GRM155R71H104KE14D	K22178872		1-	B	
C 1011	CHIP CAP.	0.1uF	50V	X7R	GRM155R71H104KE14D	K22178872		1-	B	
C 1012	CHIP CAP.	0.1uF	50V	X7R	GRM155R71H104KE14D	K22178872		1-	B	
C 1013	CHIP CAP.	0.01uF	50V	X7R	GRM155R71H103KA88D	K22178848		1-	A	
C 1014	CHIP CAP.	0.01uF	50V	X7R	GRM155R71H103KA88D	K22178848		1-	A	
C 1071	CHIP CAP.	0.1uF	50V	X7R	GRM155R71H104KE14D	K22178872		1-	A	
C 1072	CHIP CAP.	0.1uF	50V	X7R	GRM155R71H104KE14D	K22178872		1-	A	
C 1073	CHIP CAP.	0.1uF	50V	X7R	GRM155R71H104KE14D	K22178872		1-	A	
C 1074	CHIP CAP.	0.1uF	50V	X7R	GRM155R71H104KE14D	K22178872		1-	A	
C 1075	CHIP CAP.	0.01uF	50V	X7R	GRM155R71H103KA88D	K22178848		1-	A	
C 1076	CHIP CAP.	0.1uF	50V	X7R	GRM155R71H104KE14D	K22178872		1-	A	
C 1077	CHIP CAP.	0.01uF	50V	X7R	GRM155R71H103KA88D	K22178848		1-	A	
C 1078	AL.ELECTRO.CAP.	100uF	25V		UWT1E101MCL1GS	K48140032		1-	A	
C 1080	CHIP CAP.	0.1uF	50V	X7R	GRM155R71H104KE14D	K22178872		1-	A	
C 1081	CHIP CAP.	0.01uF	50V	X7R	GRM155R71H103KA88D	K22178848		1-	A	
C 1083	CHIP CAP.	0.01uF	50V	X7R	GRM155R71H103KA88D	K22178848		1-	A	
C 1091	CHIP TA.CAP.	10uF	10V		TAJA106M010RNJ	K78100120		1-	A	
C 1095	CHIP CAP.	0.01uF	50V	X7R	GRM155R71H103KA88D	K22178848		1-	A	
C 1096	CHIP CAP.	47uF	10V	B	GRM31CB31A476ME15L	K22101804		1-	A	
C 1098	CHIP CAP.	27pF	50V	CH	GRM1552C1H270JA01D	K22178222		1-	A	
C 1100	CHIP CAP.	0.1uF	50V	X7R	GRM155R71H104KE14D	K22178872		1-	A	
C 1101	CHIP CAP.	0.1uF	50V	X7R	GRM155R71H104KE14D	K22178872		1-	A	
C 1102	CHIP CAP.	0.01uF	50V	X7R	GRM155R71H103KA88D	K22178848		1-	A	
C 1103	CHIP TA.CAP.	10uF	10V		TAJA106M010RNJ	K78100120		1-	A	
C 1104	CHIP CAP.	0.01uF	50V	X7R	GRM155R71H103KA88D	K22178848		1-	A	
C 1106	CHIP CAP.	0.01uF	50V	X7R	GRM155R71H103KA88D	K22178848		1-	A	
C 1107	CHIP CAP.	10uF	10V	B	GRM188B31A106ME69D	K22104810		1-	A	
C 1108	AL.ELECTRO.CAP.	220uF	10V		EEE1AA221XP	K48100007		1-	A	
C 1111	AL.ELECTRO.CAP.	220uF	10V		EEE1AA221XP	K48100007		1-	A	
C 1112	CHIP CAP.	0.1uF	50V	X7R	GRM155R71H104KE14D	K22178872		1-	B	
C 1120	CHIP CAP.	0.01uF	50V	X7R	GRM155R71H103KA88D	K22178848		1-	A	
C 1122	CHIP TA.CAP.	100uF	10V		TAJD107M010RNJ	K78100113		1-	A	
C 1123	CHIP CAP.	0.001uF	50V	C0G	GRM1555C1H102JA01D	K22179756		1-	A	
C 1124	CHIP CAP.	0.1uF	50V	X7R	GRM155R71H104KE14D	K22178872		1-	A	
C 1125	CHIP CAP.	47pF	50V	CH	GRM1552C1H470JA01D	K22178228		1-	A	
C 1126	CHIP CAP.	47pF	50V	CH	GRM1552C1H470JA01D	K22178228		1-	A	
C 1128	CHIP TA.CAP.	10uF	10V		TAJA106M010RNJ	K78100120		1-	A	
C 1132	CHIP CAP.	47pF	50V	CH	GRM1552C1H470JA01D	K22178228		1-	A	
C 1134	CHIP CAP.	0.1uF	50V	X7R	GRM155R71H104KE14D	K22178872		1-	A	
C 1138	CHIP CAP.	0.001uF	50V	C0G	GRM1555C1H102JA01D	K22179756		1-	A	
C 1140	CHIP TA.CAP.	0.1uF	35V		TMCSA1V104MTRF	K78160025		1-	A	
C 1142	CHIP CAP.	47pF	50V	CH	GRM1552C1H470JA01D	K22178228		1-	A	
C 1143	CHIP CAP.	0.01uF	50V	X7R	GRM155R71H103KA88D	K22178848		1-	A	
C 1146	CHIP CAP.	10uF	10V	B	GRM188B31A106ME69D	K22104810		1-	A	
C 1147	CHIP CAP.	0.001uF	50V	C0G	GRM1555C1H102JA01D	K22179756		1-	A	
C 1148	CHIP TA.CAP.	3.3uF	16V		TMCMA1C335MTRF	K78120021		1-	A	
C 1149	CHIP CAP.	0.1uF	50V	X7R	GRM155R71H104KE14D	K22178872		1-	A	
C 1150	CHIP CAP.	0.1uF	50V	X7R	GRM155R71H104KE14D	K22178872		1-	A	
C 1151	CHIP CAP.	0.1uF	50V	X7R	GRM155R71H104KE14D	K22178872		1-	A	
C 1152	CHIP CAP.	0.01uF	50V	X7R	GRM155R71H103KA88D	K22178848		1-	A	
C 1153	CHIP CAP.	0.01uF	50V	X7R	GRM155R71H103KA88D	K22178848		1-	A	
C 1154	CHIP CAP.	0.1uF	50V	X7R	GRM155R71H104KE14D	K22178872		1-	A	
C 1155	CHIP CAP.	0.1uF	50V	X7R	GRM155R71H104KE14D	K22178872		1-	A	
C 1156	CHIP CAP.	0.001uF	50V	C0G	GRM1555C1H102JA01D	K22179756		1-	A	
C 1157	CHIP CAP.	15pF	50V	CH	GRM1552C1H150JA01D	K22178216		1-	A	
C 1158	CHIP CAP.	0.01uF	50V	X7R	GRM155R71H103KA88D	K22178848		1-	A	
C 1159	CHIP CAP.	0.01uF	50V	X7R	GRM155R71H103KA88D	K22178848		1-	A	
C 1160	CHIP CAP.	0.01uF	50V	X7R	GRM155R71H103KA88D	K22178848		1-	A	
C 1161	CHIP CAP.	0.01uF	50V	X7R	GRM155R71H103KA88D	K22178848		1-	A	
C 1162	CHIP TA.CAP.	0.22uF	35V		TMCSA1V224MTRF	K78160027		1-	A	
C 1163	CHIP CAP.	0.001uF	50V	C0G	GRM1555C1H102JA01D	K22179756		1-	A	
C 1164	CHIP CAP.	0.001uF	50V	C0G	GRM1555C1H102JA01D	K22179756		1-	A	
C 1165	CHIP CAP.	15pF	50V	CH	GRM1552C1H150JA01D	K22178216		1-	A	
C 1166	CHIP CAP.	6pF	50V	CH	GRM1552C1H6R0DA01D	K22178208		1-	A	
C 1167	CHIP CAP.	0.01uF	50V	X7R	GRM155R71H103KA88D	K22178848		1-	A	
C 1168	CHIP CAP.	0.01uF	50V	X7R	GRM155R71H103KA88D	K22178848		1-	A	

MAIN Unit Parts List

REF	DESCRIPTION	VALUE	V/W	TOL.	MFR'S DESIG	YAESU P/N	VERS.	LOT	SIDE	LAY ADR
C 1169	CHIP CAP.	0.1uF	50V	X7R	GRM155R71H104KE14D	K22178872		1-	A	
C 1170	CHIP CAP.	0.1uF	50V	X7R	GRM155R71H104KE14D	K22178872		1-	A	
C 1171	CHIP CAP.	0.1uF	50V	X7R	GRM155R71H104KE14D	K22178872		1-	A	
C 1172	CHIP CAP.	0.1uF	50V	X7R	GRM155R71H104KE14D	K22178872		1-	A	
C 1173	CHIP CAP.	0.047uF	50V	X7R	GRM155R71H473KE14D	K22178864		1-	A	
C 1174	CHIP CAP.	0.047uF	50V	X7R	GRM155R71H473KE14D	K22178864		1-	A	
C 1175	CHIP CAP.	0.047uF	50V	X7R	GRM155R71H473KE14D	K22178864		1-	A	
C 1176	CHIP CAP.	15pF	50V	CH	GRM1552C1H150JA01D	K22178216		1-	A	
C 1181	CHIP CAP.	100pF	50V	CH	GRM1552C1H101JA01D	K22178236		1-	A	
C 1182	CHIP CAP.	33pF	50V	CH	GRM1552C1H330JA01D	K22178224		1-	A	
C 1184	CHIP CAP.	100pF	50V	CH	GRM1552C1H101JA01D	K22178236		1-	A	
C 1188	CHIP CAP.	0.047uF	50V	X7R	GRM155R71H473KE14D	K22178864		1-	A	
C 1189	CHIP CAP.	0.047uF	50V	X7R	GRM155R71H473KE14D	K22178864		1-	A	
C 1190	CHIP CAP.	0.047uF	50V	X7R	GRM155R71H473KE14D	K22178864		1-	A	
C 1191	CHIP CAP.	0.001uF	50V	C0G	GRM1555C1H102JA01D	K22179756		1-	A	
C 1192	CHIP CAP.	0.01uF	50V	X7R	GRM155R71H103KA88D	K22178848		1-	A	
C 1194	CHIP CAP.	0.01uF	50V	X7R	GRM155R71H103KA88D	K22178848		1-	A	
C 1195	CHIP CAP.	0.01uF	50V	X7R	GRM155R71H103KA88D	K22178848		1-	A	
C 1196	CHIP CAP.	0.047uF	50V	X7R	GRM155R71H473KE14D	K22178864		1-	A	
C 1197	CHIP CAP.	0.047uF	50V	X7R	GRM155R71H473KE14D	K22178864		1-	A	
C 1198	CHIP CAP.	0.047uF	50V	X7R	GRM155R71H473KE14D	K22178864		1-	A	
C 1199	CHIP CAP.	0.1uF	50V	X7R	GRM155R71H104KE14D	K22178872		1-	A	
C 1200	CHIP CAP.	0.1uF	50V	X7R	GRM155R71H104KE14D	K22178872		1-	A	
C 1201	CHIP CAP.	0.1uF	50V	X7R	GRM155R71H104KE14D	K22178872		1-	A	
C 1202	CHIP CAP.	0.1uF	50V	X7R	GRM155R71H104KE14D	K22178872		1-	A	
C 1203	CHIP CAP.	0.1uF	50V	X7R	GRM155R71H104KE14D	K22178872		1-	A	
C 1204	CHIP CAP.	0.01uF	50V	X7R	GRM155R71H103KA88D	K22178848		1-	A	
C 1205	CHIP CAP.	0.01uF	50V	X7R	GRM155R71H103KA88D	K22178848		1-	A	
C 1206	CHIP CAP.	0.01uF	50V	X7R	GRM155R71H103KA88D	K22178848		1-	A	
C 1207	CHIP CAP.	1uF	25V	X5R	GRM155R61E105KE11D	K22149010		1-	A	
C 1208	CHIP CAP.	0.1uF	50V	X7R	GRM155R71H104KE14D	K22178872		1-	A	
C 1209	CHIP CAP.	0.1uF	50V	X7R	GRM155R71H104KE14D	K22178872		1-	A	
C 1210	CHIP CAP.	0.0033uF	50V	B	GRM155B11H332KA01D	K22178815		1-	A	
C 1211	CHIP CAP.	0.1uF	50V	X7R	GRM155R71H104KE14D	K22178872		1-	B	
C 1212	CHIP CAP.	0.1uF	50V	X7R	GRM155R71H104KE14D	K22178872		1-	A	
C 1213	CHIP CAP.	0.0022uF	50V	C0G	GRM1555C1H222JA01D	K22179764		1-	A	
C 1215	CHIP CAP.	0.1uF	50V	X7R	GRM155R71H104KE14D	K22178872		1-	A	
C 1217	CHIP CAP.	0.01uF	50V	X7R	GRM155R71H103KA88D	K22178848		1-	A	
C 1218	AL.ELECTRO.CAP.	100uF	25V		UWT1E101MCL1GS	K48140032		1-	A	
C 1219	AL.ELECTRO.CAP.	100uF	25V		UWT1E101MCL1GS	K48140032		1-	A	
C 1220	CHIP CAP.	0.01uF	50V	X7R	GRM155R71H103KA88D	K22178848		1-	A	
C 1221	CHIP CAP.	0.01uF	50V	X7R	GRM155R71H103KA88D	K22178848		1-	A	
C 1222	CHIP CAP.	10pF	50V	CH	GRM1552C1H100JA01D	K22178212		1-	A	
C 1223	CHIP CAP.	10pF	50V	CH	GRM1552C1H100JA01D	K22178212		1-	A	
C 1224	CHIP CAP.	330pF	50V	C0G	GRM1555C1H331JA01D	K22179744		1-	A	
C 1225	CHIP CAP.	10pF	50V	CH	GRM1552C1H100JA01D	K22178212		1-	A	
C 1226	CHIP CAP.	10pF	50V	CH	GRM1552C1H100JA01D	K22178212		1-	A	
C 1227	CHIP CAP.	0.022uF	50V	X7R	GRM155R71H223KA12D	K22178856		1-	A	
C 1228	CHIP CAP.	0.1uF	50V	X7R	GRM155R71H104KE14D	K22178872		1-	A	
C 1229	CHIP CAP.	0.1uF	50V	X7R	GRM155R71H104KE14D	K22178872		1-	A	
C 1230	CHIP CAP.	4.7uF	25V	B	GRM21BB31E475KA75L	K22140832		1-	A	
C 1231	CHIP CAP.	10uF	10V	B	GRM188B31A106ME69D	K22104810		1-	A	
C 1232	CHIP CAP.	4.7uF	25V	B	GRM21BB31E475KA75L	K22140832		1-	B	
C 1233	CHIP CAP.	0.1uF	50V	X7R	GRM155R71H104KE14D	K22178872		1-	B	
C 1234	CHIP CAP.	0.1uF	50V	X7R	GRM155R71H104KE14D	K22178872		1-	B	
C 1235	CHIP CAP.	0.01uF	50V	X7R	GRM155R71H103KA88D	K22178848		1-	B	
C 1236	CHIP CAP.	0.1uF	50V	X7R	GRM155R71H104KE14D	K22178872		1-	A	
C 1237	CHIP CAP.	180pF	50V	CH	GRM1882C1H181JA01D	K22174241		1-	A	
C 1238	AL.ELECTRO.CAP.	100uF	25V		UWT1E101MCL1GS	K48140032		1-	A	
C 1239	CHIP CAP.	0.1uF	50V	X7R	GRM155R71H104KE14D	K22178872		1-	B	
C 1241	CHIP CAP.	0.1uF	50V	X7R	GRM155R71H104KE14D	K22178872		1-	B	
C 1244	CHIP CAP.	0.001uF	50V	C0G	GRM1555C1H102JA01D	K22179756		1-	A	
C 1245	CHIP CAP.	0.1uF	50V	X7R	GRM155R71H104KE14D	K22178872		1-	B	
C 1246	CHIP CAP.	0.1uF	50V	X7R	GRM155R71H104KE14D	K22178872		1-	B	
C 1247	CHIP CAP.	0.001uF	50V	C0G	GRM1555C1H102JA01D	K22179756		1-	A	
C 1248	CHIP CAP.	0.001uF	50V	C0G	GRM1555C1H102JA01D	K22179756		1-	A	
C 1249	CHIP CAP.	0.01uF	50V	X7R	GRM155R71H103KA88D	K22178848		1-	A	
C 1250	CHIP CAP.	0.01uF	50V	X7R	GRM155R71H103KA88D	K22178848		1-	A	
C 1251	CHIP CAP.	0.01uF	50V	X7R	GRM155R71H103KA88D	K22178848		1-	A	
C 1252	CHIP CAP.	0.001uF	50V	C0G	GRM1555C1H102JA01D	K22179756		1-	A	
C 1253	CHIP CAP.	0.1uF	50V	X7R	GRM155R71H104KE14D	K22178872		1-	B	
C 1254	CHIP CAP.	0.1uF	50V	X7R	GRM155R71H104KE14D	K22178872		1-	B	
C 1255	CHIP CAP.	0.1uF	50V	X7R	GRM155R71H104KE14D	K22178872		1-	B	
C 1256	CHIP CAP.	100pF	50V	CH	GRM1552C1H101JA01D	K22178236		1-	A	
C 1258	CHIP CAP.	10uF	10V	B	GRM188B31A106ME69D	K22104810		1-	A	

MAIN Unit Parts List

REF	DESCRIPTION	VALUE	V/W	TOL.	MFR'S DESIG	YAESU P/N	VERS.	LOT	SIDE	LAY ADR
C 1259	CHIP CAP.	100pF	50V	CH	GRM1552C1H101JA01D	K22178236		1-	A	
C 1300	CHIP CAP.	0.1uF	50V	X7R	GRM155R71H104KE14D	K22178872		1-	B	
C 1301	CHIP CAP.	33pF	50V	CH	GRM1552C1H330JA01D	K22178224		1-	A	
C 1302	CHIP CAP.	0.1uF	50V	X7R	GRM155R71H104KE14D	K22178872		1-	B	
C 1303	CHIP CAP.	0.1uF	50V	X7R	GRM155R71H104KE14D	K22178872		1-	A	
C 1304	CHIP CAP.	47pF	50V	CH	GRM1552C1H470JA01D	K22178228		1-	A	
C 1305	CHIP CAP.	0.01uF	50V	X7R	GRM155R71H103KA88D	K22178848		1-	A	
C 1306	CHIP CAP.	10uF	10V	B	GRM188B31A106ME69D	K22104810		1-	A	
C 1307	CHIP CAP.	47pF	50V	CH	GRM1552C1H470JA01D	K22178228		1-	A	
C 1308	CHIP CAP.	10pF	50V	CH	GRM1552C1H100JA01D	K22178212		1-	A	
C 1309	CHIP CAP.	0.001uF	50V	C0G	GRM1555C1H102JA01D	K22179756		1-	A	
C 1310	CHIP CAP.	0.001uF	50V	C0G	GRM1555C1H102JA01D	K22179756		1-	A	
C 1315	CHIP CAP.	0.01uF	50V	X7R	GRM155R71H103KA88D	K22178848		1-	A	
C 1316	CHIP CAP.	0.01uF	50V	X7R	GRM155R71H103KA88D	K22178848		1-	A	
C 1317	CHIP CAP.	0.1uF	50V	X7R	GRM155R71H104KE14D	K22178872		1-	A	
C 1318	CHIP CAP.	0.1uF	50V	X7R	GRM155R71H104KE14D	K22178872		1-	A	
C 1319	CHIP CAP.	0.01uF	50V	X7R	GRM155R71H103KA88D	K22178848		1-	A	
C 1320	CHIP CAP.	0.01uF	50V	X7R	GRM155R71H103KA88D	K22178848		1-	A	
C 1321	CHIP CAP.	0.1uF	50V	X7R	GRM155R71H104KE14D	K22178872		1-	A	
C 1322	CHIP CAP.	0.1uF	50V	X7R	GRM155R71H104KE14D	K22178872		1-	A	
C 1323	CHIP CAP.	10uF	10V	B	GRM188B31A106ME69D	K22104810		1-	B	
C 1355	CHIP CAP.	0.01uF	50V	X7R	GRM155R71H103KA88D	K22178848		1-	A	
C 1356	CHIP CAP.	47pF	50V	CH	GRM1552C1H470JA01D	K22178228		1-	A	
C 1357	CHIP CAP.	47pF	50V	CH	GRM1552C1H470JA01D	K22178228		1-	A	
C 1359	CHIP CAP.	10uF	10V	B	GRM188B31A106ME69D	K22104810		1-	A	
C 1360	CHIP CAP.	8pF	50V	CH	GRM1552C1H8R0BA01D	K22178295		1-	A	
C 1361	CHIP CAP.	8pF	50V	CH	GRM1552C1H8R0BA01D	K22178295		1-	A	
C 1362	CHIP TA.CAP.	10uF	10V		TAJA106M010RNJ	K78100120		1-	A	
C 1363	CHIP CAP.	10pF	50V	CH	GRM1552C1H100BA01D	K22178297		1-	A	
C 1364	CHIP CAP.	27pF	50V	CH	GRM1552C1H270JA01D	K22178222		1-	A	
C 1366	CHIP CAP.	10pF	50V	CH	GRM1552C1H100BA01D	K22178297		1-	A	
C 1367	CHIP CAP.	8pF	50V	CH	GRM1552C1H8R0BA01D	K22178295		1-	A	
C 1368	CHIP CAP.	0.01uF	50V	X7R	GRM155R71H103KA88D	K22178848		1-	A	
C 1369	CHIP CAP.	8pF	50V	CH	GRM1552C1H8R0BA01D	K22178295		1-	A	
C 1370	CHIP CAP.	1uF	10V	B	GRM155B31A105KE15D	K22108809		1-	A	
C 1371	CHIP TA.CAP.	1uF	16V		TMCSA1C105MTRF	K78120009		1-	A	
C 1372	CHIP CAP.	0.001uF	50V	C0G	GRM1555C1H102JA01D	K22179756		1-	A	
C 1374	CHIP CAP.	0.1uF	50V	X7R	GRM155R71H104KE14D	K22178872		1-	A	
C 1375	CHIP CAP.	0.1uF	50V	X7R	GRM155R71H104KE14D	K22178872		1-	A	
C 1377	CHIP CAP.	0.001uF	50V	C0G	GRM1555C1H102JA01D	K22179756		1-	A	
C 1378	CHIP CAP.	0.001uF	50V	C0G	GRM1555C1H102JA01D	K22179756		1-	A	
C 1379	CHIP CAP.	0.1uF	50V	X7R	GRM155R71H104KE14D	K22178872		1-	A	
C 1381	CHIP CAP.	4pF	50V	CH	GRM1552C1H4R0CA01D	K22178206		1-	A	
C 1382	CHIP CAP.	220pF	50V	B	GRM155B11H221KA01D	K22178801		1-	A	
C 1383	CHIP CAP.	0.001uF	50V	C0G	GRM1555C1H102JA01D	K22179756		1-	A	
C 1400	CHIP CAP.	0.1uF	50V	X7R	GRM155R71H104KE14D	K22178872		1-	A	
C 1401	CHIP CAP.	47pF	50V	CH	GRM1552C1H470JA01D	K22178228		1-	A	
C 1403	CHIP CAP.	47pF	50V	CH	GRM1552C1H470JA01D	K22178228		1-	A	
C 1404	CHIP CAP.	0.1uF	50V	X7R	GRM155R71H104KE14D	K22178872		1-	A	
C 1407	CHIP CAP.	47pF	50V	CH	GRM1552C1H470JA01D	K22178228		1-	A	
C 1408	CHIP CAP.	0.01uF	50V	X7R	GRM155R71H103KA88D	K22178848		1-	A	
C 1409	CHIP CAP.	0.01uF	50V	X7R	GRM155R71H103KA88D	K22178848		1-	A	
C 1410	CHIP CAP.	0.001uF	50V	C0G	GRM1555C1H102JA01D	K22179756		1-	A	
C 1411	CHIP CAP.	0.01uF	50V	X7R	GRM155R71H103KA88D	K22178848		1-	A	
C 1412	CHIP CAP.	0.001uF	50V	C0G	GRM1555C1H102JA01D	K22179756		1-	A	
C 1413	CHIP CAP.	0.1uF	50V	X7R	GRM155R71H104KE14D	K22178872		1-	B	
C 1414	CHIP CAP.	10uF	10V	B	GRM188B31A106ME69D	K22104810		1-	B	
C 1416	CHIP CAP.	47pF	50V	CH	GRM1552C1H470JA01D	K22178228		1-	A	
C 1417	CHIP CAP.	47pF	50V	CH	GRM1552C1H470JA01D	K22178228		1-	A	
C 1421	CHIP CAP.	0.1uF	10V	B	GRM155B11A104KA01D	K22108802		1-	A	
C 1422	CHIP CAP.	0.001uF	50V	C0G	GRM1555C1H102JA01D	K22179756		1-	A	
C 1423	CHIP CAP.	0.001uF	50V	C0G	GRM1555C1H102JA01D	K22179756		1-	A	
C 1424	CHIP CAP.	0.001uF	50V	C0G	GRM1555C1H102JA01D	K22179756		1-	A	
C 1425	CHIP CAP.	0.001uF	50V	C0G	GRM1555C1H102JA01D	K22179756		1-	A	
C 1426	CHIP CAP.	0.001uF	50V	C0G	GRM1555C1H102JA01D	K22179756		1-	A	
C 1427	CHIP CAP.	0.01uF	50V	X7R	GRM155R71H103KA88D	K22178848		1-	A	
C 1457	CHIP CAP.	10uF	10V	B	GRM188B31A106ME69D	K22104810		1-	A	
C 1458	CHIP CAP.	0.01uF	50V	X7R	GRM155R71H103KA88D	K22178848		1-	A	
C 1460	CHIP TA.CAP.	10uF	16V		TMCSA1C106MTRF	K78120077		1-	A	
C 1474	CHIP CAP.	4.7uF	25V	B	GRM21BB31E475KA75L	K22140832		1-	B	
C 1475	CHIP CAP.	10uF	10V	B	GRM188B31A106ME69D	K22104810		1-	A	
C 1476	CHIP CAP.	0.1uF	50V	X7R	GRM155R71H104KE14D	K22178872		1-	A	
C 1479	CHIP CAP.	10uF	10V	B	GRM188B31A106ME69D	K22104810		1-	A	
C 1480	CHIP CAP.	4.7uF	25V	B	GRM21BB31E475KA75L	K22140832		1-	A	
C 1481	CHIP CAP.	0.1uF	50V	X7R	GRM155R71H104KE14D	K22178872		1-	A	

MAIN Unit Parts List

REF	DESCRIPTION	VALUE	V/W	TOL.	MFR'S DESIG	YAESU P/N	VERS.	LOT	SIDE	LAY ADR
C 1482	CHIP CAP.	22uF	25V	X5R	GRM21BR61E226ME44L	K22140830		1-	A	
C 1486	CHIP CAP.	4.7uF	25V	B	GRM21BB31E475KA75L	K22140832		1-	A	
C 1487	CHIP CAP.	220pF	50V	B	GRM155B11H221KA01D	K22178801		1-	A	
C 1488	CHIP TA.CAP.	100uF	10V		TAJD107M010RNJ	K78100113		1-	A	
C 1491	CHIP CAP.	0.001uF	50V	C0G	GRM1555C1H102JA01D	K22179756		1-	A	
C 1493	CHIP CAP.	1uF	25V	X5R	GRM155R61E105KE11D	K22149010		1-	A	
C 1494	CHIP CAP.	0.1uF	50V	X7R	GRM155R71H104KE14D	K22178872		1-	A	
C 1495	CHIP CAP.	0.001uF	50V	C0G	GRM1555C1H102JA01D	K22179756		1-	A	
C 1504	CHIP CAP.	0.01uF	50V	X7R	GRM155R71H103KA88D	K22178848		1-	B	
C 1505	CHIP CAP.	10pF	50V	CH	GRM1552C1H100JA01D	K22178212		1-	B	
C 1509	CHIP CAP.	10pF	50V	CH	GRM1552C1H100JA01D	K22178212		1-	A	
C 1510	CHIP CAP.	10pF	50V	CH	GRM1552C1H100JA01D	K22178212		1-	B	
C 1511	CHIP CAP.	0.1uF	50V	X7R	GRM155R71H104KE14D	K22178872		1-	A	
C 1515	CHIP TA.CAP.	1uF	16V		TMCP1C105MTRF	K78120076		1-	A	
C 1516	CHIP TA.CAP.	1uF	16V		TMCP1C105MTRF	K78120076		1-	A	
C 1642	CHIP CAP.	0.1uF	50V	X7R	GRM155R71H104KE14D	K22178872		1-	A	
C 1643	CHIP CAP.	0.1uF	50V	X7R	GRM155R71H104KE14D	K22178872		1-	A	
C 1644	CHIP CAP.	0.1uF	50V	X7R	GRM155R71H104KE14D	K22178872		1-	A	
C 1678	CHIP CAP.	22uF	25V	X5R	GRM21BR61E226ME44L	K22140830		1-	A	
C 1679	CHIP CAP.	22uF	25V	X5R	GRM21BR61E226ME44L	K22140830		1-	A	
C 1680	CHIP CAP.	4.7uF	25V	B	GRM21BB31E475KA75L	K22140832		1-	A	
C 1681	CHIP CAP.	4.7uF	25V	B	GRM21BB31E475KA75L	K22140832		1-	A	
C 1682	AL.ELECTRO.CAP.	1uF	50V		EEE1HA010SR	K48170027		1-	A	
C 1801	CHIP CAP.	0.1uF	50V	X7R	GRM155R71H104KE14D	K22178872		1-	B	
C 1802	CHIP CAP.	0.1uF	50V	X7R	GRM155R71H104KE14D	K22178872		1-	B	
C 1805	CHIP CAP.	0.1uF	50V	X7R	GRM155R71H104KE14D	K22178872		1-	B	
C 1806	CHIP CAP.	0.1uF	50V	X7R	GRM155R71H104KE14D	K22178872		1-	B	
C 1807	CHIP CAP.	0.1uF	50V	X7R	GRM155R71H104KE14D	K22178872		1-	B	
C 1808	CHIP CAP.	0.1uF	50V	X7R	GRM155R71H104KE14D	K22178872		1-	B	
C 1810	CHIP CAP.	10uF	10V	B	GRM188B31A106ME69D	K22104810		1-	A	
C 1811	CHIP CAP.	0.1uF	50V	X7R	GRM155R71H104KE14D	K22178872		1-	B	
C 1812	CHIP CAP.	0.1uF	50V	X7R	GRM155R71H104KE14D	K22178872		1-	B	
C 1813	CHIP CAP.	0.1uF	50V	X7R	GRM155R71H104KE14D	K22178872		1-	A	
C 1814	CHIP CAP.	0.1uF	50V	X7R	GRM155R71H104KE14D	K22178872		1-	A	
C 1815	CHIP CAP.	0.1uF	50V	X7R	GRM155R71H104KE14D	K22178872		1-	A	
C 1816	CHIP CAP.	0.1uF	50V	X7R	GRM155R71H104KE14D	K22178872		1-	A	
C 1817	CHIP CAP.	10uF	10V	B	GRM188B31A106ME69D	K22104810		1-	A	
C 1818	CHIP CAP.	10uF	10V	B	GRM188B31A106ME69D	K22104810		1-	A	
C 1819	CHIP CAP.	0.1uF	50V	X7R	GRM155R71H104KE14D	K22178872		1-	B	
C 1820	CHIP CAP.	0.1uF	50V	X7R	GRM155R71H104KE14D	K22178872		1-	B	
C 1822	CHIP CAP.	0.1uF	50V	X7R	GRM155R71H104KE14D	K22178872		1-	B	
C 1823	CHIP CAP.	0.1uF	50V	X7R	GRM155R71H104KE14D	K22178872		1-	B	
C 1824	CHIP CAP.	0.1uF	50V	X7R	GRM155R71H104KE14D	K22178872		1-	B	
C 1825	CHIP CAP.	10uF	10V	B	GRM188B31A106ME69D	K22104810		1-	A	
C 1826	CHIP CAP.	0.1uF	50V	X7R	GRM155R71H104KE14D	K22178872		1-	A	
C 1827	CHIP CAP.	0.1uF	50V	X7R	GRM155R71H104KE14D	K22178872		1-	A	
C 1828	CHIP CAP.	15pF	50V	CH	GRM1552C1H150JA01D	K22178216		1-	A	
C 1829	CHIP CAP.	0.1uF	50V	X7R	GRM155R71H104KE14D	K22178872		1-	A	
C 1830	CHIP CAP.	0.1uF	50V	X7R	GRM155R71H104KE14D	K22178872		1-	A	
C 1831	CHIP CAP.	10uF	10V	B	GRM188B31A106ME69D	K22104810		1-	A	
C 1832	CHIP CAP.	10uF	10V	B	GRM188B31A106ME69D	K22104810		1-	A	
C 1833	CHIP CAP.	15pF	50V	CH	GRM1552C1H150JA01D	K22178216		1-	A	
C 1834	CHIP CAP.	1uF	25V	X5R	GRM155R61E105KE11D	K22149010		1-	A	
C 1835	CHIP CAP.	0.1uF	50V	X7R	GRM155R71H104KE14D	K22178872		1-	A	
C 1836	CHIP CAP.	22uF	25V	X5R	GRM21BR61E226ME44L	K22140830		1-	A	
C 1837	CHIP CAP.	22uF	25V	X5R	GRM21BR61E226ME44L	K22140830		1-	A	
C 1842	CHIP CAP.	0.001uF	50V	B	GRM155B11H102KA01D	K22178809		1-	B	
C 2001	CHIP CAP.	0.1uF	50V	X7R	GRM155R71H104KE14D	K22178872		1-	B	
C 2002	CHIP CAP.	0.1uF	50V	X7R	GRM155R71H104KE14D	K22178872		1-	B	
C 2003	CHIP CAP.	10uF	10V	B	GRM188B31A106ME69D	K22104810		1-	B	
C 2004	CHIP CAP.	22uF	25V	X5R	GRM21BR61E226ME44L	K22140830		1-	A	
C 2005	CHIP CAP.	0.001uF	50V	C0G	GRM1555C1H102JA01D	K22179756		1-	A	
C 2006	CHIP CAP.	0.1uF	50V	X7R	GRM155R71H104KE14D	K22178872		1-	A	
C 2007	CHIP CAP.	0.1uF	50V	X7R	GRM155R71H104KE14D	K22178872		1-	A	
C 2008	CHIP CAP.	0.001uF	50V	C0G	GRM1555C1H102JA01D	K22179756		1-	A	
C 2009	CHIP CAP.	0.001uF	50V	C0G	GRM1555C1H102JA01D	K22179756		1-	A	
C 2010	CHIP TA.CAP.	1uF	16V		TMCP1C105MTRF	K78120076		1-	A	
C 2011	CHIP TA.CAP.	1uF	16V		TMCP1C105MTRF	K78120076		1-	A	
C 2012	CHIP CAP.	0.1uF	50V	X7R	GRM155R71H104KE14D	K22178872		1-	B	
C 2013	CHIP CAP.	0.1uF	50V	X7R	GRM155R71H104KE14D	K22178872		1-	B	
C 2014	CHIP CAP.	0.1uF	50V	X7R	GRM155R71H104KE14D	K22178872		1-	B	
C 2015	CHIP CAP.	0.1uF	50V	X7R	GRM155R71H104KE14D	K22178872		1-	B	
C 2016	CHIP CAP.	0.1uF	50V	X7R	GRM155R71H104KE14D	K22178872		1-	B	
C 2017	CHIP CAP.	0.1uF	50V	X7R	GRM155R71H104KE14D	K22178872		1-	B	
C 2018	CHIP CAP.	0.1uF	50V	X7R	GRM155R71H104KE14D	K22178872		1-	B	

MAIN Unit Parts List

REF	DESCRIPTION	VALUE	V/W	TOL.	MFR'S DESIG	YAESU P/N	VERS.	LOT	SIDE	LAY ADR
C 2019	CHIP CAP.	0.1uF	50V	X7R	GRM155R71H104KE14D	K22178872		1-	B	
C 2020	CHIP CAP.	0.1uF	50V	X7R	GRM155R71H104KE14D	K22178872		1-	B	
C 2021	CHIP CAP.	0.1uF	50V	X7R	GRM155R71H104KE14D	K22178872		1-	B	
C 2022	CHIP CAP.	0.1uF	50V	X7R	GRM155R71H104KE14D	K22178872		1-	B	
C 2023	CHIP CAP.	0.1uF	50V	X7R	GRM155R71H104KE14D	K22178872		1-	B	
C 2024	CHIP CAP.	0.1uF	50V	X7R	GRM155R71H104KE14D	K22178872		1-	A	
C 2025	CHIP CAP.	0.1uF	50V	X7R	GRM155R71H104KE14D	K22178872		1-	B	
C 2026	CHIP CAP.	0.1uF	50V	X7R	GRM155R71H104KE14D	K22178872		1-	B	
C 2027	CHIP CAP.	0.1uF	50V	X7R	GRM155R71H104KE14D	K22178872		1-	B	
C 2028	CHIP CAP.	0.1uF	50V	X7R	GRM155R71H104KE14D	K22178872		1-	B	
C 2029	CHIP CAP.	0.1uF	50V	X7R	GRM155R71H104KE14D	K22178872		1-	B	
C 2030	CHIP CAP.	0.1uF	50V	X7R	GRM155R71H104KE14D	K22178872		1-	B	
C 2031	CHIP CAP.	10uF	10V	B	GRM188B31A106ME69D	K22104810		1-	B	
C 2032	CHIP CAP.	0.1uF	50V	X7R	GRM155R71H104KE14D	K22178872		1-	B	
C 2033	CHIP CAP.	10uF	10V	B	GRM188B31A106ME69D	K22104810		1-	B	
C 2037	CHIP CAP.	10uF	10V	B	GRM188B31A106ME69D	K22104810		1-	A	
C 2038	CHIP CAP.	0.1uF	50V	X7R	GRM155R71H104KE14D	K22178872		1-	A	
C 2039	CHIP CAP.	0.1uF	50V	X7R	GRM155R71H104KE14D	K22178872		1-	A	
C 2040	CHIP CAP.	10uF	10V	B	GRM188B31A106ME69D	K22104810		1-	A	
C 2041	CHIP CAP.	10uF	10V	B	GRM188B31A106ME69D	K22104810		1-	A	
C 2042	CHIP CAP.	0.0068uF	50V	X7R	GRM155R71H682KA88D	K22178844		1-	A	
C 2043	CHIP CAP.	0.1uF	50V	X7R	GRM155R71H104KE14D	K22178872		1-	B	
C 2044	CHIP CAP.	0.001uF	50V	C0G	GRM1555C1H102JA01D	K22179756		1-	A	
C 2045	CHIP CAP.	0.1uF	50V	X7R	GRM155R71H104KE14D	K22178872		1-	A	
C 2046	CHIP CAP.	0.1uF	50V	X7R	GRM155R71H104KE14D	K22178872		1-	A	
C 2047	CHIP CAP.	0.1uF	50V	X7R	GRM155R71H104KE14D	K22178872		1-	A	
C 2048	CHIP CAP.	0.1uF	50V	X7R	GRM155R71H104KE14D	K22178872		1-	B	
C 2049	CHIP CAP.	0.1uF	50V	X7R	GRM155R71H104KE14D	K22178872		1-	A	
C 2050	CHIP CAP.	10uF	10V	B	GRM188B31A106ME69D	K22104810		1-	B	
C 2051	CHIP CAP.	0.1uF	50V	X7R	GRM155R71H104KE14D	K22178872		1-	B	
C 2052	CHIP CAP.	0.1uF	50V	X7R	GRM155R71H104KE14D	K22178872		1-	B	
C 2053	CHIP CAP.	0.1uF	50V	X7R	GRM155R71H104KE14D	K22178872		1-	B	
C 2054	CHIP CAP.	10uF	10V	B	GRM188B31A106ME69D	K22104810		1-	A	
C 2055	CHIP CAP.	0.1uF	50V	X7R	GRM155R71H104KE14D	K22178872		1-	A	
C 2056	CHIP TA.CAP.	22uF	4V		TMCP0G226MTRF	K78060047		1-	A	
C 2057	CHIP CAP.	0.1uF	50V	X7R	GRM155R71H104KE14D	K22178872		1-	A	
C 2058	CHIP CAP.	0.1uF	50V	X7R	GRM155R71H104KE14D	K22178872		1-	B	
C 2059	CHIP TA.CAP.	22uF	4V		TMCP0G226MTRF	K78060047		1-	A	
C 2060	CHIP CAP.	10uF	10V	B	GRM188B31A106ME69D	K22104810		1-	A	
C 2061	CHIP CAP.	0.1uF	50V	X7R	GRM155R71H104KE14D	K22178872		1-	B	
C 2062	CHIP CAP.	0.1uF	50V	X7R	GRM155R71H104KE14D	K22178872		1-	B	
C 2063	CHIP CAP.	0.1uF	50V	X7R	GRM155R71H104KE14D	K22178872		1-	B	
C 2064	CHIP CAP.	0.1uF	50V	X7R	GRM155R71H104KE14D	K22178872		1-	B	
C 2065	CHIP CAP.	10uF	10V	B	GRM188B31A106ME69D	K22104810		1-	A	
C 2066	CHIP CAP.	0.0068uF	50V	X7R	GRM155R71H682KA88D	K22178844		1-	A	
C 2067	CHIP CAP.	0.001uF	50V	C0G	GRM1555C1H102JA01D	K22179756		1-	A	
C 2068	CHIP CAP.	10uF	10V	B	GRM188B31A106ME69D	K22104810		1-	A	
C 2069	CHIP CAP.	0.1uF	50V	X7R	GRM155R71H104KE14D	K22178872		1-	A	
C 2070	CHIP CAP.	0.0068uF	50V	X7R	GRM155R71H682KA88D	K22178844		1-	A	
C 2071	CHIP CAP.	10uF	10V	B	GRM188B31A106ME69D	K22104810		1-	A	
C 2072	CHIP CAP.	0.001uF	50V	C0G	GRM1555C1H102JA01D	K22179756		1-	A	
C 2073	CHIP CAP.	10uF	10V	B	GRM188B31A106ME69D	K22104810		1-	A	
C 2074	CHIP CAP.	10uF	10V	B	GRM188B31A106ME69D	K22104810		1-	A	
C 2075	CHIP CAP.	22uF	25V	X5R	GRM21BR61E226ME44L	K22140830		1-	A	
C 2076	CHIP CAP.	0.1uF	50V	X7R	GRM155R71H104KE14D	K22178872		1-	B	
C 2077	CHIP CAP.	0.1uF	50V	X7R	GRM155R71H104KE14D	K22178872		1-	A	
C 2078	CHIP CAP.	0.001uF	50V	C0G	GRM1555C1H102JA01D	K22179756		1-	A	
C 2079	CHIP CAP.	0.001uF	50V	C0G	GRM1555C1H102JA01D	K22179756		1-	A	
C 2080	CHIP CAP.	0.1uF	50V	X7R	GRM155R71H104KE14D	K22178872		1-	A	
C 2081	CHIP CAP.	10uF	10V	B	GRM188B31A106ME69D	K22104810		1-	A	
C 2082	CHIP CAP.	0.033uF	50V	X7R	GRM155R71H333KE14D	K22178860		1-	A	
C 2083	CHIP CAP.	0.1uF	50V	X7R	GRM155R71H104KE14D	K22178872		1-	A	
C 2084	CHIP CAP.	0.1uF	50V	X7R	GRM155R71H104KE14D	K22178872		1-	A	
C 2085	CHIP CAP.	0.001uF	50V	C0G	GRM1555C1H102JA01D	K22179756		1-	A	
C 2086	CHIP CAP.	0.001uF	50V	C0G	GRM1555C1H102JA01D	K22179756		1-	A	
C 2087	CHIP TA.CAP.	1uF	16V		TMCP1C105MTRF	K78120076		1-	A	
C 2088	CHIP TA.CAP.	1uF	16V		TMCP1C105MTRF	K78120076		1-	A	
C 2089	CHIP CAP.	0.1uF	50V	X7R	GRM155R71H104KE14D	K22178872		1-	B	
C 2090	CHIP CAP.	0.1uF	50V	X7R	GRM155R71H104KE14D	K22178872		1-	B	
C 2091	CHIP CAP.	0.1uF	50V	X7R	GRM155R71H104KE14D	K22178872		1-	B	
C 2092	CHIP CAP.	0.1uF	50V	X7R	GRM155R71H104KE14D	K22178872		1-	B	
C 2093	CHIP CAP.	0.1uF	50V	X7R	GRM155R71H104KE14D	K22178872		1-	B	
C 2094	CHIP CAP.	0.1uF	50V	X7R	GRM155R71H104KE14D	K22178872		1-	B	
C 2095	CHIP CAP.	0.1uF	50V	X7R	GRM155R71H104KE14D	K22178872		1-	B	
C 2096	CHIP CAP.	0.1uF	50V	X7R	GRM155R71H104KE14D	K22178872		1-	B	

MAIN Unit

Parts List

REF	DESCRIPTION	VALUE	V/W	TOL.	MFR'S DESIG	YAESU P/N	VERS.	LOT	SIDE	LAY ADR
C 2097	CHIP CAP.	0.1uF	50V	X7R	GRM155R71H104KE14D	K22178872		1-	B	
C 2098	CHIP CAP.	0.1uF	50V	X7R	GRM155R71H104KE14D	K22178872		1-	B	
C 2099	CHIP CAP.	0.1uF	50V	X7R	GRM155R71H104KE14D	K22178872		1-	B	
C 2100	CHIP CAP.	0.1uF	50V	X7R	GRM155R71H104KE14D	K22178872		1-	B	
C 2101	CHIP CAP.	0.1uF	50V	X7R	GRM155R71H104KE14D	K22178872		1-	A	
C 2102	CHIP CAP.	0.1uF	50V	X7R	GRM155R71H104KE14D	K22178872		1-	A	
C 2103	CHIP CAP.	22uF	25V	X5R	GRM21BR61E226ME44L	K22140830		1-	A	
C 2104	CHIP CAP.	0.1uF	50V	X7R	GRM155R71H104KE14D	K22178872		1-	A	
C 2105	CHIP CAP.	0.1uF	50V	X7R	GRM155R71H104KE14D	K22178872		1-	B	
C 2106	CHIP CAP.	0.1uF	50V	X7R	GRM155R71H104KE14D	K22178872		1-	B	
C 2107	CHIP CAP.	0.1uF	50V	X7R	GRM155R71H104KE14D	K22178872		1-	B	
C 2108	CHIP CAP.	0.1uF	50V	X7R	GRM155R71H104KE14D	K22178872		1-	B	
C 2109	CHIP CAP.	0.1uF	50V	X7R	GRM155R71H104KE14D	K22178872		1-	B	
C 2110	CHIP CAP.	10uF	10V	B	GRM188B31A106ME69D	K22104810		1-	A	
C 2111	CHIP CAP.	0.1uF	50V	X7R	GRM155R71H104KE14D	K22178872		1-	B	
C 2112	CHIP CAP.	0.1uF	50V	X7R	GRM155R71H104KE14D	K22178872		1-	B	
C 2113	CHIP CAP.	0.1uF	50V	X7R	GRM155R71H104KE14D	K22178872		1-	B	
C 2114	CHIP CAP.	0.1uF	50V	X7R	GRM155R71H104KE14D	K22178872		1-	B	
C 2115	CHIP CAP.	0.1uF	50V	X7R	GRM155R71H104KE14D	K22178872		1-	B	
C 2116	CHIP CAP.	0.1uF	50V	X7R	GRM155R71H104KE14D	K22178872		1-	B	
C 2117	CHIP CAP.	10uF	10V	B	GRM188B31A106ME69D	K22104810		1-	A	
C 2118	CHIP CAP.	10uF	10V	B	GRM188B31A106ME69D	K22104810		1-	B	
C 2119	CHIP CAP.	0.1uF	50V	X7R	GRM155R71H104KE14D	K22178872		1-	B	
C 2120	CHIP CAP.	10uF	10V	B	GRM188B31A106ME69D	K22104810		1-	B	
C 2121	CHIP CAP.	0.1uF	50V	X7R	GRM155R71H104KE14D	K22178872		1-	B	
C 2122	CHIP CAP.	0.1uF	50V	X7R	GRM155R71H104KE14D	K22178872		1-	B	
C 2123	CHIP CAP.	0.1uF	50V	X7R	GRM155R71H104KE14D	K22178872		1-	B	
C 2127	CHIP CAP.	10uF	10V	B	GRM188B31A106ME69D	K22104810		1-	A	
C 2128	CHIP CAP.	10uF	10V	B	GRM188B31A106ME69D	K22104810		1-	A	
C 2129	CHIP CAP.	0.1uF	50V	X7R	GRM155R71H104KE14D	K22178872		1-	A	
C 2130	CHIP TA.CAP.	22uF	4V		TMCP0G226MTRF	K78060047		1-	A	
C 2131	CHIP CAP.	0.1uF	50V	X7R	GRM155R71H104KE14D	K22178872		1-	A	
C 2132	CHIP TA.CAP.	22uF	4V		TMCP0G226MTRF	K78060047		1-	A	
C 2135	CHIP CAP.	0.1uF	50V	X7R	GRM155R71H104KE14D	K22178872		1-	A	
C 2137	CHIP CAP.	22uF	25V	X5R	GRM21BR61E226ME44L	K22140830		1-	A	
C 2138	CHIP CAP.	10uF	10V	B	GRM188B31A106ME69D	K22104810		1-	B	
C 2139	CHIP CAP.	0.1uF	50V	X7R	GRM155R71H104KE14D	K22178872		1-	B	
C 2142	CHIP CAP.	10uF	10V	B	GRM188B31A106ME69D	K22104810		1-	A	
C 2145	CHIP CAP.	0.1uF	50V	X7R	GRM155R71H104KE14D	K22178872		1-	A	
C 2146	CHIP CAP.	0.0068uF	50V	X7R	GRM155R71H682KA88D	K22178844		1-	A	
C 2147	CHIP CAP.	10uF	10V	B	GRM188B31A106ME69D	K22104810		1-	A	
C 2148	CHIP CAP.	0.001uF	50V	C0G	GRM1555C1H102JA01D	K22179756		1-	A	
C 2150	CHIP CAP.	0.1uF	50V	X7R	GRM155R71H104KE14D	K22178872		1-	A	
C 2152	CHIP CAP.	10uF	10V	B	GRM188B31A106ME69D	K22104810		1-	A	
C 2153	CHIP CAP.	0.1uF	50V	X7R	GRM155R71H104KE14D	K22178872		1-	B	
C 2154	CHIP CAP.	0.1uF	50V	X7R	GRM155R71H104KE14D	K22178872		1-	A	
C 2155	CHIP CAP.	0.1uF	50V	X7R	GRM155R71H104KE14D	K22178872		1-	A	
C 2156	CHIP CAP.	0.001uF	50V	C0G	GRM1555C1H102JA01D	K22179756		1-	A	
C 2157	CHIP CAP.	0.001uF	50V	C0G	GRM1555C1H102JA01D	K22179756		1-	A	
C 2158	CHIP CAP.	0.1uF	50V	X7R	GRM155R71H104KE14D	K22178872		1-	B	
C 2161	CHIP CAP.	0.1uF	50V	X7R	GRM155R71H104KE14D	K22178872		1-	B	
C 2162	CHIP CAP.	0.1uF	50V	X7R	GRM155R71H104KE14D	K22178872		1-	B	
C 2163	CHIP CAP.	0.1uF	50V	X7R	GRM155R71H104KE14D	K22178872		1-	B	
C 2164	CHIP CAP.	0.1uF	50V	X7R	GRM155R71H104KE14D	K22178872		1-	B	
C 2165	CHIP CAP.	10uF	10V	B	GRM188B31A106ME69D	K22104810		1-	B	
C 2166	CHIP CAP.	0.1uF	50V	X7R	GRM155R71H104KE14D	K22178872		1-	B	
C 2167	CHIP CAP.	0.1uF	50V	X7R	GRM155R71H104KE14D	K22178872		1-	B	
C 2168	CHIP CAP.	0.1uF	50V	X7R	GRM155R71H104KE14D	K22178872		1-	B	
C 2169	CHIP CAP.	0.1uF	50V	X7R	GRM155R71H104KE14D	K22178872		1-	B	
C 2170	CHIP CAP.	0.1uF	50V	X7R	GRM155R71H104KE14D	K22178872		1-	B	
C 2171	CHIP CAP.	0.1uF	50V	X7R	GRM155R71H104KE14D	K22178872		1-	B	
C 2172	CHIP CAP.	0.1uF	50V	X7R	GRM155R71H104KE14D	K22178872		1-	B	
C 2173	CHIP CAP.	0.1uF	50V	X7R	GRM155R71H104KE14D	K22178872		1-	B	
C 2174	CHIP CAP.	0.1uF	50V	X7R	GRM155R71H104KE14D	K22178872		1-	B	
C 2175	CHIP CAP.	0.1uF	50V	X7R	GRM155R71H104KE14D	K22178872		1-	B	
C 2176	CHIP CAP.	0.1uF	50V	X7R	GRM155R71H104KE14D	K22178872		1-	B	
C 2177	CHIP CAP.	0.1uF	50V	X7R	GRM155R71H104KE14D	K22178872		1-	B	
C 2178	CHIP CAP.	0.1uF	50V	X7R	GRM155R71H104KE14D	K22178872		1-	B	
C 2179	CHIP CAP.	10uF	10V	B	GRM188B31A106ME69D	K22104810		1-	B	
C 2180	CHIP CAP.	10uF	10V	B	GRM188B31A106ME69D	K22104810		1-	A	
C 2181	CHIP CAP.	0.1uF	50V	X7R	GRM155R71H104KE14D	K22178872		1-	A	
C 2182	CHIP CAP.	10uF	10V	B	GRM188B31A106ME69D	K22104810		1-	A	
C 2183	CHIP CAP.	0.1uF	50V	X7R	GRM155R71H104KE14D	K22178872		1-	A	
C 2184	CHIP CAP.	10uF	10V	B	GRM188B31A106ME69D	K22104810		1-	A	
C 2185	CHIP CAP.	10uF	10V	B	GRM188B31A106ME69D	K22104810		1-	A	

MAIN Unit Parts List

REF	DESCRIPTION	VALUE	V/W	TOL.	MFR'S DESIG	YAESU P/N	VERS.	LOT	SIDE	LAY ADR
C 2186	CHIP CAP.	0.0068uF	50V	X7R	GRM155R71H682KA88D	K22178844		1-	A	
C 2187	CHIP CAP.	0.1uF	50V	X7R	GRM155R71H104KE14D	K22178872		1-	A	
C 2188	CHIP CAP.	10uF	10V	B	GRM188B31A106ME69D	K22104810		1-	A	
C 2189	CHIP CAP.	0.1uF	50V	X7R	GRM155R71H104KE14D	K22178872		1-	B	
C 2190	CHIP CAP.	10uF	10V	B	GRM188B31A106ME69D	K22104810		1-	A	
C 2191	CHIP CAP.	0.0068uF	50V	X7R	GRM155R71H682KA88D	K22178844		1-	A	
C 2192	CHIP CAP.	0.1uF	50V	X7R	GRM155R71H104KE14D	K22178872		1-	A	
C 2193	CHIP CAP.	10uF	10V	B	GRM188B31A106ME69D	K22104810		1-	A	
C 2194	CHIP CAP.	10uF	10V	B	GRM188B31A106ME69D	K22104810		1-	A	
C 2195	CHIP CAP.	0.0068uF	50V	X7R	GRM155R71H682KA88D	K22178844		1-	A	
C 2196	CHIP CAP.	0.1uF	50V	X7R	GRM155R71H104KE14D	K22178872		1-	A	
C 2197	CHIP CAP.	0.1uF	50V	X7R	GRM155R71H104KE14D	K22178872		1-	B	
C 2199	CHIP CAP.	0.1uF	50V	X7R	GRM155R71H104KE14D	K22178872		1-	B	
C 2200	CHIP CAP.	0.1uF	50V	X7R	GRM155R71H104KE14D	K22178872		1-	B	
C 2201	CHIP CAP.	10uF	10V	B	GRM188B31A106ME69D	K22104810		1-	B	
C 2202	CHIP CAP.	0.1uF	50V	X7R	GRM155R71H104KE14D	K22178872		1-	B	
C 2203	CHIP CAP.	10uF	10V	B	GRM188B31A106ME69D	K22104810		1-	B	
C 2204	CHIP CAP.	0.1uF	50V	X7R	GRM155R71H104KE14D	K22178872		1-	B	
C 2205	CHIP CAP.	0.1uF	50V	X7R	GRM155R71H104KE14D	K22178872		1-	B	
C 2206	CHIP CAP.	0.1uF	50V	X7R	GRM155R71H104KE14D	K22178872		1-	B	
C 2207	CHIP CAP.	10uF	10V	B	GRM188B31A106ME69D	K22104810		1-	A	
C 2208	CHIP CAP.	0.1uF	50V	X7R	GRM155R71H104KE14D	K22178872		1-	A	
C 2209	CHIP TA.CAP.	22uF	4V		TMCPOG226MTRF	K78060047		1-	A	
C 2210	CHIP CAP.	0.1uF	50V	X7R	GRM155R71H104KE14D	K22178872		1-	A	
C 2211	CHIP CAP.	0.001uF	50V	C0G	GRM1555C1H102JA01D	K22179756		1-	A	
C 2212	CHIP TA.CAP.	22uF	4V		TMCPOG226MTRF	K78060047		1-	A	
C 2213	CHIP CAP.	0.001uF	50V	C0G	GRM1555C1H102JA01D	K22179756		1-	A	
C 2214	CHIP CAP.	0.0068uF	50V	X7R	GRM155R71H682KA88D	K22178844		1-	A	
C 2215	CHIP CAP.	10uF	10V	B	GRM188B31A106ME69D	K22104810		1-	A	
C 2216	CHIP CAP.	10uF	10V	B	GRM188B31A106ME69D	K22104810		1-	A	
C 2217	CHIP CAP.	10uF	10V	B	GRM188B31A106ME69D	K22104810		1-	A	
C 2218	CHIP CAP.	0.1uF	50V	X7R	GRM155R71H104KE14D	K22178872		1-	A	
C 2219	CHIP TA.CAP.	22uF	4V		TMCPOG226MTRF	K78060047		1-	A	
C 2220	CHIP CAP.	0.1uF	50V	X7R	GRM155R71H104KE14D	K22178872		1-	A	
C 2221	CHIP TA.CAP.	22uF	4V		TMCPOG226MTRF	K78060047		1-	A	
C 2222	CHIP CAP.	0.001uF	50V	C0G	GRM1555C1H102JA01D	K22179756		1-	A	
C 2223	CHIP CAP.	0.001uF	50V	C0G	GRM1555C1H102JA01D	K22179756		1-	A	
C 2224	CHIP CAP.	10uF	10V	B	GRM188B31A106ME69D	K22104810		1-	A	
C 2225	CHIP CAP.	10uF	10V	B	GRM188B31A106ME69D	K22104810		1-	A	
C 2226	CHIP CAP.	0.1uF	50V	X7R	GRM155R71H104KE14D	K22178872		1-	B	
C 2227	CHIP CAP.	10uF	10V	B	GRM188B31A106ME69D	K22104810		1-	A	
C 2228	CHIP CAP.	0.0068uF	50V	X7R	GRM155R71H682KA88D	K22178844		1-	A	
C 2229	CHIP CAP.	0.001uF	50V	C0G	GRM1555C1H102JA01D	K22179756		1-	A	
C 2233	CHIP CAP.	0.1uF	50V	X7R	GRM155R71H104KE14D	K22178872		1-	A	
C 2234	CHIP CAP.	10uF	10V	B	GRM188B31A106ME69D	K22104810		1-	A	
C 2235	CHIP CAP.	0.1uF	50V	X7R	GRM155R71H104KE14D	K22178872		1-	A	
C 2236	CHIP CAP.	1uF	25V	X5R	GRM155R61E105KE11D	K22149010		1-	A	
C 2237	CHIP CAP.	1uF	25V	X5R	GRM155R61E105KE11D	K22149010		1-	A	
C 2238	CHIP CAP.	22uF	25V	X5R	GRM21BR61E226ME44L	K22140830		1-	A	
C 2239	CHIP CAP.	22uF	25V	X5R	GRM21BR61E226ME44L	K22140830		1-	A	
C 2240	CHIP CAP.	22uF	25V	X5R	GRM21BR61E226ME44L	K22140830		1-	A	
C 2241	CHIP CAP.	0.1uF	50V	X7R	GRM155R71H104KE14D	K22178872		1-	A	
C 2242	CHIP CAP.	0.1uF	50V	X7R	GRM155R71H104KE14D	K22178872		1-	A	
C 2243	CHIP CAP.	0.1uF	50V	X7R	GRM155R71H104KE14D	K22178872		1-	A	
C 2244	CHIP CAP.	0.1uF	50V	X7R	GRM155R71H104KE14D	K22178872		1-	A	
C 2245	CHIP CAP.	0.1uF	50V	X7R	GRM155R71H104KE14D	K22178872		1-	A	
C 2246	CHIP CAP.	22uF	25V	X5R	GRM21BR61E226ME44L	K22140830		1-	A	
C 2247	CHIP TA.CAP.	22uF	16V		TPSB226M016Y0600	K78120075		1-	A	
C 2248	CHIP TA.CAP.	22uF	16V		TPSB226M016Y0600	K78120075		1-	A	
C 2249	CHIP CAP.	22uF	25V	X5R	GRM21BR61E226ME44L	K22140830		1-	A	
C 2250	CHIP CAP.	22uF	25V	X5R	GRM21BR61E226ME44L	K22140830		1-	A	
C 2251	CHIP CAP.	0.1uF	50V	X7R	GRM155R71H104KE14D	K22178872		1-	A	
C 2252	CHIP CAP.	10uF	10V	B	GRM188B31A106ME69D	K22104810		1-	A	
C 2253	CHIP CAP.	10uF	10V	B	GRM188B31A106ME69D	K22104810		1-	A	
C 2254	CHIP CAP.	10uF	10V	B	GRM188B31A106ME69D	K22104810		1-	A	
C 2255	CHIP CAP.	10uF	10V	B	GRM188B31A106ME69D	K22104810		1-	A	
C 2256	CHIP CAP.	10uF	10V	B	GRM188B31A106ME69D	K22104810		1-	A	
C 2258	CHIP CAP.	10uF	10V	B	GRM188B31A106ME69D	K22104810		1-	A	
C 2259	CHIP CAP.	10uF	10V	B	GRM188B31A106ME69D	K22104810		1-	A	
C 2260	CHIP TA.CAP.	220uF	4V		TMCMBOG227MTRF	K78060052		1-	A	
C 2261	CHIP TA.CAP.	220uF	4V		TMCMBOG227MTRF	K78060052		1-	A	
C 2274	CHIP CAP.	1uF	10V	B	GRM155B31A105KE15D	K22108809		1-		
D 1001	DIODE				RB051L-40TE25	G2070718		1-	A	
D 1003	DIODE				BAS316	G2070716		1-	A	
D 1004	DIODE				1SV325(TPH3.F)	G2070848		1-	A	

MAIN Unit Parts List

REF	DESCRIPTION	VALUE	V/W	TOL.	MFR'S DESIG	YAESU P/N	VERS.	LOT	SIDE	LAY ADR
D 1005	DIODE				1SS389(TPL3.F)	G2070608		1-	A	
D 1006	DIODE				1SS389(TPL3.F)	G2070608		1-	A	
D 1007	DIODE				1SS389(TPL3.F)	G2070608		1-	A	
D 1008	DIODE				1SS389(TPL3.F)	G2070608		1-	A	
D 1009	DIODE				BAS316	G2070716		1-	A	
D 1010	DIODE				BAS316	G2070716		1-	A	
D 1011	DIODE				BAS316	G2070716		1-	A	
D 1012	DIODE				BAS316	G2070716		1-	A	
D 1013	DIODE				IMN10 T108	G2070078		1-	B	
D 1014	DIODE				IMN10 T108	G2070078		1-	B	
D 1015	DIODE				IMN10 T108	G2070078		1-	B	
D 1016	DIODE				IMN10 T108	G2070078		1-	B	
D 1017	DIODE				IMN10 T108	G2070078		1-	B	
D 1018	DIODE				IMN10 T108	G2070078		1-	B	
D 1019	DIODE				IMN10 T108	G2070078		1-	B	
D 1020	DIODE				IMN10 T108	G2070078		1-	B	
D 1021	DIODE				DAP202U T106	G2070160		1-	A	
D 1022	DIODE				D1F60-5053	G2071240		1-	A	
D 1023	DIODE				BAS316	G2070716		1-	A	
D 1024	DIODE				BAS316	G2070716		1-	A	
D 1025	DIODE				BAS316	G2070716		1-	A	
D 1026	DIODE				BAS316	G2070716		1-	A	
D 1027	DIODE				D1F60-5053	G2071240		1-	A	
D 1028	DIODE				BAS316	G2070716		1-	A	
D 1029	DIODE				RB521S-30 TE61	G2070642		1-	A	
D 1030	DIODE				BAS316	G2070716		1-	A	
D 1031	DIODE				D1F60-5053	G2071240		1-	A	
D 1032	DIODE				BAS316	G2070716		1-	A	
D 1033	DIODE				BAS316	G2070716		1-	A	
D 1034	DIODE				UDZS TE-17 20B	G2071016		1-	A	
D 1035	DIODE				UDZS TE-17 20B	G2071016		1-	A	
D 1036	DIODE				BAS316	G2070716		1-	A	
D 1037	DIODE				BAS316	G2070716		1-	A	
D 1038	DIODE				BAS316	G2070716		1-	A	
D 1039	DIODE				BAS316	G2070716		1-	A	
D 1040	DIODE				BAS316	G2070716		1-	A	
D 1041	DIODE				BAS316	G2070716		1-	A	
D 1042	DIODE				BAS316	G2070716		1-	B	
D 1043	DIODE				BAS316	G2070716		1-	B	
D 1044	DIODE				BAS316	G2070716		1-	B	
D 1045	DIODE				BAS316	G2070716		1-	B	
D 1046	DIODE				BAS316	G2070716		1-	A	
D 1047	DIODE				BAS316	G2070716		1-	A	
D 1048	DIODE				BAS316	G2070716		1-	A	
D 1800	DIODE				RB521S-30 TE61	G2070642		1-	A	
F 1001	CHIP FUSE	3.15A			KAB2402-322NA31010	Q0000087		1-	A	
F 1002	CHIP FUSE	3.15A			KAB2402-322NA31010	Q0000087		1-	A	
F 1003	CHIP FUSE	3.15A			KAB2402-322NA31010	Q0000087		1-	A	
FB1003	FERRITE BEADS				BLM18AG601SN1D	L9190111		1-	A	
FB1004	FERRITE BEADS				BLM18KG260TN1D	L9190216		1-	A	
FB1005	FERRITE BEADS				BLM18AG601SN1D	L9190111		1-	A	
FB1006	FERRITE BEADS				BLM18AG601SN1D	L9190111		1-	A	
FB1801	FERRITE BEADS				BLM18KG260TN1D	L9190216		1-	A	
FB1802	FERRITE BEADS				BLM18KG260TN1D	L9190216		1-	A	
FB1803	FERRITE BEADS				BLM18KG260TN1D	L9190216		1-	A	
FB1804	FERRITE BEADS				BLM18KG260TN1D	L9190216		1-	A	
FB1805	FERRITE BEADS				BLM18KG260TN1D	L9190216		1-	A	
FB2001	FERRITE BEADS				BLM15BD102SN1D	L9190133		1-	A	
FB2002	FERRITE BEADS				BLM15BD102SN1D	L9190133		1-	A	
FB2003	FERRITE BEADS				BLM15BD102SN1D	L9190133		1-	A	
FB2004	FERRITE BEADS				BLM15BD102SN1D	L9190133		1-	A	
FB2005	FERRITE BEADS				BLM15BD102SN1D	L9190133		1-	A	
FB2006	FERRITE BEADS				BLM15BD102SN1D	L9190133		1-	A	
FB2007	FERRITE BEADS				BLM15BD102SN1D	L9190133		1-	A	
FB2008	FERRITE BEADS				BLM15BD102SN1D	L9190133		1-	A	
FB2010	FERRITE BEADS				BLM18PG221SN1D	L9190181		1-	A	
FB2014	FERRITE BEADS				BLM18PG221SN1D	L9190181		1-	A	
FB2015	FERRITE BEADS				BLM15BD102SN1D	L9190133		1-	A	
FB2016	FERRITE BEADS				BLM15BD102SN1D	L9190133		1-	A	
FB2017	FERRITE BEADS				BLM15BD102SN1D	L9190133		1-	A	
FB2018	FERRITE BEADS				BLM15BD102SN1D	L9190133		1-	A	
FB2019	FERRITE BEADS				BLM18PG221SN1D	L9190181		1-	A	
FB2020	FERRITE BEADS				BLM18PG221SN1D	L9190181		1-	A	
FB2021	FERRITE BEADS				BLM18PG221SN1D	L9190181		1-	A	
J 1001	CONNECTOR				SC25-12WS	P0090631		1-	A	

MAIN Unit Parts List

REF	DESCRIPTION	VALUE	V/W	TOL.	MFR'S DESIG	YAESU P/N	VERS.	LOT	SIDE	LAY ADR
J 1002	CONNECTOR				24FLT-SM2-TB(LF)(SN)(M)	P1091128		1-	A	
J 1003	CONNECTOR				40FLT-SM2-TB(LF)(SN)(M)	P1091251		1-	A	
J 1004	CONNECTOR				SB20-07WS	P0090614		1-	A	
J 1005	CONNECTOR				SB20-10WS	P0090617		1-	A	
J 1006	CONNECTOR				SB20-10WS	P0090617		1-	A	
J 1007	CONNECTOR				U.FL-R-SMT(10)	P1091155		1-	A	
J 1008	CONNECTOR				40FLT-SM2-TB(LF)(SN)(M)	P1091251		1-	A	
J 1009	CONNECTOR				40FLT-SM2-TB(LF)(SN)(M)	P1091251		1-	A	
J 1010	CONNECTOR				AXK6S60647YG	P0091638		1-	A	
J 1011	CONNECTOR				06FLT-SM2-TB(LF)(SN)	P1091255		1-	A	
J 1012	CONNECTOR				12FLT-SM2-TB(LF)(SN)	P1091198		1-	A	
J 1013	CONNECTOR				U.FL-R-SMT(10)	P1091155		1-	A	
J 1014	CONNECTOR				40FLT-SM2-TB(LF)(SN)(M)	P1091251		1-	A	
J 1015	CONNECTOR				30FLT-SM2-TB(LF)(SN)(M)	P1091142		1-	A	
J 1016	CONNECTOR				40FLT-SM2-TB(LF)(SN)(M)	P1091251		1-	A	
J 1017	CONNECTOR				LP-0844-B	P1091594		1-	A	
J 1018	CONNECTOR				LP-0844-B	P1091594		1-	A	
J 1019	CONNECTOR				LNB0508BC-8-05A	P1091596		1-	A	
J 1020	CONNECTOR				LP-0844-B	P1091594		1-	A	
J 1021	CONNECTOR				TCS5115-0141577	P1091706		1-	A	
J 1022	CONNECTOR				1210-062-15S-AAE	P1091484		1-	A	
J 1023	CONNECTOR				AXK6S60647YG	P0091638		1-	A	
J 1024	CONNECTOR				20FLT-SM2-TB(LF)(SN)	P1091247		1-	A	
J 1025	TERMINAL				9774060243	S5000442		1-	A	
J 1026	TERMINAL				9774060243	S5000442		1-	A	
J 1027	TERMINAL				9774060243	S5000442		1-	A	
J 1028	TERMINAL				9774060243	S5000442		1-	A	
J 1029	TERMINAL				9774060243	S5000442		1-	A	
J 1030	TERMINAL				9774060243	S5000442		1-	A	
J 1031	TERMINAL				9774060243	S5000442		1-	A	
J 1032	TERMINAL				9774060243	S5000442		1-	A	
J 1033	CONNECTOR				06FLT-SM2-TB(LF)(SN)	P1091255		1-	A	
J 1034	CONNECTOR				18FLT-SM2-TB(LF)(SN)(M)	P1091176		1-	A	
J 1035	CONNECTOR				06FLT-SM2-TB(LF)(SN)	P1091255		1-	A	
J 1801	CONNECTOR				20FLT-SM2-TB(LF)(SN)	P1091247		1-	A	
J 1803	CONNECTOR				DVIR-25SIAAABH0	P0091640		1-	A	
J 2012	CONNECTOR				06FLT-SM2-TB(LF)(SN)	P1091255		1-	A	
JP1005	CHIP RES.	0	1/16W	5%	RMC1/16 000JATP	J24185000		1-	A	
JP1007	CHIP RES.	0	1/16W	5%	RMC1/16 000JATP	J24185000		1-	A	
JP1011	CHIP RES.	0	1/16W	5%	RMC1/16 000JATP	J24185000		1-	A	
L 1001	CHIP COIL	100uH		20%	CER1257-101M-R	L1691694		1-	A	
L 1002	CHIP COIL	2.2uH		30%	CER1257-2R2N	L1692102		1-	A	
L 1003	CHIP COIL	0.056uH			LQW2BHN56NG03L	L1690978		1-	A	
L 1005	M.RFC	0.12uH			HK1608 R12J-T	L1690937		1-	A	
L 1006	M.RFC	0.1uH			HK1608 R10J-T	L1690528		1-	A	
L 1008	CHIP COIL	0.047uH		2%	LQW18AN47NG00D	L1690888		1-	A	
L 1010	CHIP COIL	0.047uH		2%	LQW18AN47NG00D	L1690888		1-	A	
L 1011	CHIP COIL	0.082uH			C2520C-82NK	L1690543		1-	A	
L 1013	CHIP COIL	0.15uH			C2520C-R15J	L1690546		1-	A	
L 2001	CHIP COIL	2.2uH			CDRH5D28RHPNP-2R2NC	L1691819		1-	A	
L 2002	CHIP COIL	2.2uH			CDRH5D28RHPNP-2R2NC	L1691819		1-	A	
L 2003	M.RFC	3.3uH		20%	SRP4020TA-3R3M	L1691830		1-	A	
L 2004	M.RFC	68uH			7E06NA-680M-RB	L1691571		1-	A	
Q 1001	TRANSISTOR				2SD2403GY-T1	G3424038Y		1-	A	
Q 1002	TRANSISTOR				DTC114YUA T106	G3070298		1-	A	
Q 1003	FET				RRR030P03	G3070448		1-	A	
Q 1004	IC				BA033CC0FP-BZE2	G1094077		1-	A	
Q 1005	IC				5M40ZE64I5N-YR2221	G1095660		1-	A	
Q 1006	IC				BA05FP-BZE2	G1093209		1-	A	
Q 1007	IC				SN74LV4052APWR	G1093869		1-	A	
Q 1008	IC				SN74LV4052APWR	G1093869		1-	A	
Q 1009	POLY SWITCH				NANOSMDC035F(TAPE)	G9090167		1-	A	
Q 1010	IC				TPS3808G12DRVR	G1095176		1-	A	
Q 1011	TRANSISTOR				2SC4081 T106 R	G3340818R		1-	A	
Q 1012	TRANSISTOR				2SD2403GY-T1	G3424038Y		1-	A	
Q 1013	IC				TPS3808G12DRVR	G1095176		1-	A	
Q 1014	IC				SN74LV04APWR	G1094177		1-	A	
Q 1015	IC				TC7SZU04FU	G1095606		1-	A	
Q 1016	TRANSISTOR				2SC4081 T106 R	G3340818R		1-	A	
Q 1017	IC				SN74LVC1G14DCKR	G1095586		1-	A	
Q 1018	IC				ADF4001BRUZ-REEL7	G1093977		1-	A	
Q 1019	TRANSISTOR				2SA1576A T106 R	G3115768R		1-	B	
Q 1020	TRANSISTOR				2SA1576A T106 R	G3115768R		1-	B	
Q 1021	IC				TPS76301DBVR	G1094152		1-	A	
Q 1022	IC				TA75S01F(TE85R.F)	G1091593		1-	A	

MAIN Unit Parts List

REF	DESCRIPTION	VALUE	V/W	TOL.	MFR'S DESIG	YAESU P/N	VERS.	LOT	SIDE	LAY ADR
Q 1023	TRANSISTOR				UMG2N TR	G3070088		1-	A	
Q 1024	IC				BGA616H6327XTSA1	G1095085		1-	A	
Q 1025	FET				RRR030P03	G3070448		1-	A	
Q 1026	FET				RRR030P03	G3070448		1-	A	
Q 1027	IC				BGA616H6327XTSA1	G1095085		1-	A	
Q 1028	IC				CD74HC238PWR	G1094275		1-	A	
Q 1029	IC				CD74HC238PWR	G1094275		1-	A	
Q 1030	IC				SN74LVC2G08DCTR	G1094341		1-	A	
Q 1032	IC				SN74HCT04PWR	G1094484		1-	A	
Q 1033	IC				SN74LVC2G08DCTR	G1094341		1-	A	
Q 1034	IC				MB85RS256APNF-G-JNERE1	G1094985		1-	B	
Q 1035	TRANSISTOR				DTC114YUA T106	G3070298		1-	A	
Q 1036	TRANSISTOR				DTC114YUA T106	G3070298		1-	A	
Q 1037	IC				R5F61645N50FPV	G1095556		1-	A	
Q 1038	TRANSISTOR				2SA1576A T106 R	G3115768R		1-	A	
Q 1039	TRANSISTOR				DTC114YUA T106	G3070298		1-	A	
Q 1040	TRANSISTOR				DTC114YUA T106	G3070298		1-	A	
Q 1041	TRANSISTOR				2SA1576A T106 R	G3115768R		1-	B	
Q 1042	TRANSISTOR				DTC114YUA T106	G3070298		1-	A	
Q 1043	TRANSISTOR				DTC114YUA T106	G3070298		1-	A	
Q 1044	FET				RRR030P03	G3070448		1-	A	
Q 1045	IC				NJM78L05UA-TE1	G1091325		1-	A	
Q 1046	IC				SN74LV4053APWR	G1093870		1-	A	
Q 1047	IC				TPS76301DBVR	G1094152		1-	A	
Q 1048	IC				SN74LV4052APWR	G1093869		1-	A	
Q 1049	IC				BU2507FV-E2	G1093773		1-	A	
Q 1050	IC				LM2904PWR	G1094010		1-	A	
Q 1051	TRANSISTOR				2SA1576A T106 R	G3115768R		1-	B	
Q 1052	TRANSISTOR				DTC114YUA T106	G3070298		1-	A	
Q 1078	IC				SN74LVC3G17DCTR	G1094419		1-	A	
Q 1079	IC				SN74LVC3G17DCTR	G1094419		1-	A	
Q 1080	IC				SN74LVC3G17DCTR	G1094419		1-	A	
Q 1081	IC				LM2904PWR	G1094010		1-	A	
Q 1087	IC				MP4470AGL	G1095590		1-	A	
Q 1801	IC				EP102C	G1095596		1-	A	
Q 1803	IC				EP952	G1095598		1-	A	
Q 1805	IC				EPF021M-YM	G1095594		1-	A	
Q 2001	IC				TLV320AIC3204IRHBR	G1095037		1-	A	
Q 2002	IC				SN74AUP2G34DCKR	G1095546		1-	A	
Q 2003	IC				SN74AUP2G34DCKR	G1095546		1-	A	
Q 2004	IC				TPS3808G12DRVR	G1095176		1-	A	
Q 2005	IC				SN74AUP2G34DCKR	G1095546		1-	A	
Q 2006	IC				SN74AUP2G34DCKR	G1095546		1-	A	
Q 2008	IC				PZ28F064M29EWBA-YR2234	G1095696		1-	A	
Q 2009	IC				SN74LVC157APWR	G1095548		1-	A	
Q 2010	IC				SN74LVC1G32DCKR	G1095550		1-	A	
Q 2011	IC				TPS3808G12DRVR	G1095176		1-	A	
Q 2012	TRANSISTOR				UMH10N TN	G3070096		1-	A	
Q 2013	TRANSISTOR				UMH10N TN	G3070096		1-	A	
Q 2014	TRANSISTOR				UMH10N TN	G3070096		1-	A	
Q 2015	IC				TLV320AIC3204IRHBR	G1095037		1-	A	
Q 2016	IC				TPS73101DBVR	G1095096		1-	A	
Q 2018	IC				PZ28F064M29EWBA-YR2234	G1095696		1-	A	
Q 2019	IC				SN74LVC157APWR	G1095548		1-	A	
Q 2020	IC				SN74LVC1G32DCKR	G1095550		1-	A	
Q 2021	IC				TLV320AIC3204IRHBR	G1095037		1-	A	
Q 2022	IC				TLV320AIC3204IRHBR	G1095037		1-	A	
Q 2023	IC				PZ28F064M29EWBA-YR2234	G1095696		1-	A	
Q 2024	IC				SN74LVC157APWR	G1095548		1-	A	
Q 2025	IC				SN74LVC1G32DCKR	G1095550		1-	A	
Q 2026	IC				TMS320C6746EZWT4	G1095695		1-	A	
Q 2027	IC				TMS320C6746EZWT4	G1095695		1-	A	
Q 2028	IC				TMS320C6746EZWT4	G1095695		1-	A	
Q 2029	IC				NJM2732RB1-TE1	G1095540		1-	A	
Q 2030	IC				NJM2732RB1-TE1	G1095540		1-	A	
Q 2031	IC				ADC121S101CIMF	G1095685		1-	A	
Q 2032	IC				NJM2732RB1-TE1	G1095540		1-	A	
Q 2033	IC				NJM2732RB1-TE1	G1095540		1-	A	
Q 2034	IC				NJM2732RB1-TE1	G1095540		1-	A	
Q 2036	IC				TPS650250RHBR	G1095544		1-	A	
Q 2042	IC				5M160ZE6415N	G1095686		1-	A	
R 1001	CHIP RES.	15	1W	5%	RMC1 150JTE	J24305150		1-	A	
R 1002	CHIP RES.	10k	1/16W	5%	RMC1/16S 103JTH	J24189037		1-	A	
R 1003	CHIP RES.	6.8	1W	5%	RMC1 6R8JTE	J24305689		1-	A	
R 1004	CHIP RES.	0	1/16W	5%	RMC1/16S JPTH	J24189070		1-	A	

MAIN Unit Parts List

REF	DESCRIPTION	VALUE	V/W	TOL.	MFR'S DESIG	YAESU P/N	VERS.	LOT	SIDE	LAY ADR
R 1005	CHIP RES.	0	1/16W	5%	RMC1/16S JPTH	J24189070		1-	A	
R 1006	CHIP RES.	0	1/16W	5%	RMC1/16S JPTH	J24189070		1-	A	
R 1007	CHIP RES.	0	1/16W	5%	RMC1/16S JPTH	J24189070		1-	A	
R 1008	CHIP RES.	0	1/16W	5%	RMC1/16S JPTH	J24189070		1-	A	
R 1009	CHIP RES.	0	1/16W	5%	RMC1/16S JPTH	J24189070		1-	A	
R 1010	CHIP RES.	10k	1/16W	5%	RMC1/16S 103JTH	J24189037		1-	A	
R 1011	CHIP RES.	0	1/16W	5%	RMC1/16S JPTH	J24189070		1-	A	
R 1012	CHIP RES.	1M	1/16W	5%	RMC1/16S 105JTH	J24189061		1-	A	
R 1013	CHIP RES.	470	1/16W	5%	RMC1/16S 471JTH	J24189021		1-	A	
R 1014	CHIP RES.	0	1/16W	5%	RMC1/16S JPTH	J24189070		1-	A	
R 1015	CHIP RES.	0	1/16W	5%	RMC1/16S JPTH	J24189070		1-	A	
R 1016	CHIP RES.	2.7k	1/16W	5%	RMC1/16S 272JTH	J24189030		1-	A	
R 1017	CHIP RES.	100	1/16W	5%	RMC1/16S 101JTH	J24189013		1-	A	
R 1018	CHIP RES.	0	1/16W	5%	RMC1/16S JPTH	J24189070		1-	A	
R 1019	CHIP RES.	10	1/16W	5%	RMC1/16S 100JTH	J24189001		1-	A	
R 1020	CHIP RES.	0	1/16W	5%	RMC1/16S JPTH	J24189070		1-	A	
R 1021	CHIP RES.	0	1/16W	5%	RMC1/16S JPTH	J24189070		1-	A	
R 1022	CHIP RES.	0	1/16W	5%	RMC1/16S JPTH	J24189070		1-	A	
R 1023	CHIP RES.	0	1/16W	5%	RMC1/16S JPTH	J24189070		1-	A	
R 1024	CHIP RES.	10	1/16W	5%	RMC1/16S 100JTH	J24189001		1-	A	
R 1025	CHIP RES.	0	1/16W	5%	RMC1/16S JPTH	J24189070		1-	A	
R 1026	CHIP RES.	0	1/16W	5%	RMC1/16S JPTH	J24189070		1-	A	
R 1027	CHIP RES.	0	1/16W	5%	RMC1/16S JPTH	J24189070		1-	A	
R 1028	CHIP RES.	560	1/16W	5%	RMC1/16S 561JTH	J24189022		1-	A	
R 1029	CHIP RES.	10k	1/16W	5%	RMC1/16S 103JTH	J24189037		1-	A	
R 1030	CHIP RES.	68k	1/16W	5%	RMC1/16S 683JTH	J24189047		1-	A	
R 1031	CHIP RES.	10k	1/16W	5%	RMC1/16S 103JTH	J24189037		1-	A	
R 1032	CHIP RES.	0	1/16W	5%	RMC1/16S JPTH	J24189070		1-	A	
R 1033	CHIP RES.	4.7k	1/16W	5%	RMC1/16S 472JTH	J24189033		1-	A	
R 1034	CHIP RES.	0	1/16W	5%	RMC1/16S JPTH	J24189070		1-	A	
R 1035	CHIP RES.	220	1/16W	5%	RMC1/16S 221JTH	J24189017		1-	A	
R 1036	CHIP RES.	1k	1/16W	5%	RMC1/16S 102JTH	J24189025		1-	A	
R 1037	CHIP RES.	10k	1/16W	5%	RMC1/16S 103JTH	J24189037		1-	A	
R 1038	CHIP RES.	1k	1/16W	5%	RMC1/16S 102JTH	J24189025		1-	A	
R 1039	CHIP RES.	0	1/16W	5%	RMC1/16S JPTH	J24189070		1-	A	
R 1040	CHIP RES.	1k	1/16W	5%	RMC1/16S 102JTH	J24189025		1-	A	
R 1041	CHIP RES.	1k	1/16W	5%	RMC1/16S 102JTH	J24189025		1-	A	
R 1042	CHIP RES.	220	1/16W	5%	RMC1/16S 221JTH	J24189017		1-	A	
R 1043	CHIP RES.	0	1/16W	5%	RMC1/16S JPTH	J24189070		1-	A	
R 1044	CHIP RES.	1k	1/16W	5%	RMC1/16S 102JTH	J24189025		1-	A	
R 1046	CHIP RES.	100k	1/16W	5%	RMC1/16S 104JTH	J24189049		1-	A	
R 1047	CHIP RES.	220	1/16W	5%	RMC1/16S 221JTH	J24189017		1-	A	
R 1049	CHIP RES.	10k	1/16W	5%	RMC1/16S 103JTH	J24189037		1-	A	
R 1050	CHIP RES.	220	1/16W	5%	RMC1/16S 221JTH	J24189017		1-	A	
R 1053	CHIP RES.	0	1/16W	5%	RMC1/16S JPTH	J24189070		1-	A	
R 1054	CHIP RES.	100	1/16W	5%	RMC1/16S 101JTH	J24189013		1-	A	
R 1055	CHIP RES.	100k	1/16W	5%	RMC1/16S 104JTH	J24189049		1-	A	
R 1056	CHIP RES.	0	1/16W	5%	RMC1/16S JPTH	J24189070		1-	A	
R 1058	CHIP RES.	10	1/16W	5%	RMC1/16S 100JTH	J24189001		1-	A	
R 1060	CHIP RES.	10k	1/16W	5%	RMC1/16S 103JTH	J24189037		1-	A	
R 1061	CHIP RES.	1k	1/16W	5%	RMC1/16S 102JTH	J24189025		1-	A	
R 1062	CHIP RES.	10k	1/16W	5%	RMC1/16S 103JTH	J24189037		1-	A	
R 1063	CHIP RES.	10k	1/16W	5%	RMC1/16S 103JTH	J24189037		1-	A	
R 1064	CHIP RES.	220	1/16W	5%	RMC1/16S 221JTH	J24189017		1-	A	
R 1065	CHIP RES.	220	1/16W	5%	RMC1/16S 221JTH	J24189017		1-	A	
R 1066	CHIP RES.	220	1/16W	5%	RMC1/16S 221JTH	J24189017		1-	A	
R 1067	CHIP RES.	68k	1/16W	1%	RMC1/16SK683FTH	J24189527		1-	A	
R 1068	CHIP RES.	150k	1/16W	1%	RMC1/16SK154FTH	J24189531		1-	A	
R 1069	CHIP RES.	390k	1/16W	1%	RMC1/16SK394FTH	J24189536		1-	A	
R 1070	CHIP RES.	150	1/16W	5%	RMC1/16S 151JTH	J24189015		1-	A	
R 1071	CHIP RES.	8.2k	1/16W	1%	RMC1/16SK822FTH	J24189522		1-	A	
R 1072	CHIP RES.	220	1/16W	5%	RMC1/16S 221JTH	J24189017		1-	A	
R 1073	CHIP RES.	220	1/16W	5%	RMC1/16S 221JTH	J24189017		1-	A	
R 1074	CHIP RES.	220	1/16W	5%	RMC1/16S 221JTH	J24189017		1-	A	
R 1075	CHIP RES.	220	1/16W	5%	RMC1/16S 221JTH	J24189017		1-	A	
R 1076	CHIP RES.	10k	1/16W	1%	RMC1/16SK103FTH	J24189489		1-	A	
R 1077	CHIP RES.	10	1/16W	5%	RMC1/16S 100JTH	J24189001		1-	A	
R 1078	CHIP RES.	1k	1/16W	5%	RMC1/16S 102JTH	J24189025		1-	A	
R 1079	CHIP RES.	1k	1/16W	5%	RMC1/16S 102JTH	J24189025		1-	A	
R 1080	CHIP RES.	6.8k	1/16W	1%	RMC1/16SK682FTH	J24189521		1-	A	
R 1081	CHIP RES.	1.5k	1/16W	1%	RMC1/16SK152FTH	J24189496		1-	A	
R 1082	CHIP RES.	100	1/10W	5%	RMC1/10T 101J	J24205101		1-	A	
R 1083	CHIP RES.	100	1/10W	5%	RMC1/10T 101J	J24205101		1-	A	
R 1084	CHIP RES.	10k	1/16W	5%	RMC1/16S 103JTH	J24189037		1-	A	
R 1085	CHIP RES.	10k	1/16W	5%	RMC1/16S 103JTH	J24189037		1-	A	

MAIN Unit Parts List

REF	DESCRIPTION	VALUE	V/W	TOL.	MFR'S DESIG	YAESU P/N	VERS.	LOT	SIDE	LAY ADR
R 1086	CHIP RES.	10k	1/16W	5%	RMC1/16S 103JTH	J24189037		1-	A	
R 1087	CHIP RES.	10k	1/16W	5%	RMC1/16S 103JTH	J24189037		1-	A	
R 1088	CHIP RES.	10k	1/16W	5%	RMC1/16S 103JTH	J24189037		1-	A	
R 1089	CHIP RES.	10k	1/16W	5%	RMC1/16S 103JTH	J24189037		1-	A	
R 1090	CHIP RES.	1.5k	1/16W	1%	RMC1/16SK152FTH	J24189496		1-	A	
R 1091	CHIP RES.	150	1/10W	5%	RMC1/10T 151J	J24205151		1-	A	
R 1095	CHIP RES.	10k	1/16W	5%	RMC1/16S 103JTH	J24189037		1-	A	
R 1096	CHIP RES.	10k	1/16W	5%	RMC1/16S 103JTH	J24189037		1-	A	
R 1097	CHIP RES.	10k	1/16W	5%	RMC1/16S 103JTH	J24189037		1-	A	
R 1098	CHIP RES.	220	1/16W	5%	RMC1/16S 221JTH	J24189017		1-	A	
R 1099	CHIP RES.	10k	1/16W	5%	RMC1/16S 103JTH	J24189037		1-	A	
R 1100	CHIP RES.	10k	1/16W	5%	RMC1/16S 103JTH	J24189037		1-	A	
R 1101	CHIP RES.	10k	1/16W	5%	RMC1/16S 103JTH	J24189037		1-	A	
R 1102	CHIP RES.	220	1/16W	5%	RMC1/16S 221JTH	J24189017		1-	A	
R 1103	CHIP RES.	1k	1/16W	5%	RMC1/16 102JATP	J24185102		1-	A	
R 1104	CHIP RES.	1k	1/16W	5%	RMC1/16S 102JTH	J24189025		1-	A	
R 1105	CHIP RES.	0	1/16W	5%	RMC1/16S JPTH	J24189070		1-	A	
R 1106	CHIP RES.	0	1/16W	5%	RMC1/16S JPTH	J24189070		1-	A	
R 1107	CHIP RES.	0	1/16W	5%	RMC1/16S JPTH	J24189070		1-	A	
R 1108	CHIP RES.	10k	1/16W	5%	RMC1/16S 103JTH	J24189037		1-	A	
R 1109	CHIP RES.	10k	1/16W	5%	RMC1/16S 103JTH	J24189037		1-	A	
R 1110	CHIP RES.	47k	1/16W	5%	RMC1/16S 473JTH	J24189045		1-	A	
R 1111	CHIP RES.	10k	1/16W	5%	RMC1/16S 103JTH	J24189037		1-	A	
R 1112	CHIP RES.	10k	1/16W	5%	RMC1/16S 103JTH	J24189037		1-	A	
R 1113	CHIP RES.	10k	1/16W	5%	RMC1/16S 103JTH	J24189037		1-	A	
R 1114	CHIP RES.	3.3k	1/16W	5%	RMC1/16S 332JTH	J24189031		1-	A	
R 1115	CHIP RES.	39k	1/16W	5%	RMC1/16S 393JTH	J24189044		1-	A	
R 1116	CHIP RES.	39k	1/16W	5%	RMC1/16S 393JTH	J24189044		1-	A	
R 1117	CHIP RES.	10k	1/16W	5%	RMC1/16S 103JTH	J24189037		1-	A	
R 1118	CHIP RES.	27k	1/16W	5%	RMC1/16S 273JTH	J24189042		1-	A	
R 1119	CHIP RES.	27k	1/16W	5%	RMC1/16S 273JTH	J24189042		1-	A	
R 1120	CHIP RES.	10k	1/16W	5%	RMC1/16S 103JTH	J24189037		1-	A	
R 1121	CHIP RES.	47k	1/16W	5%	RMC1/16S 473JTH	J24189045		1-	A	
R 1122	CHIP RES.	10k	1/16W	5%	RMC1/16S 103JTH	J24189037		1-	A	
R 1124	CHIP RES.	10k	1/16W	1%	RMC1/16SK103FTH	J24189489		1-	A	
R 1125	CHIP RES.	27k	1/16W	1%	RMC1/16SK273FTH	J24189493		1-	A	
R 1126	CHIP RES.	1k	1/16W	5%	RMC1/16S 102JTH	J24189025		1-	A	
R 1127	CHIP RES.	27k	1/16W	1%	RMC1/16SK273FTH	J24189493		1-	A	
R 1128	CHIP RES.	220	1/16W	5%	RMC1/16S 221JTH	J24189017		1-	A	
R 1129	CHIP RES.	10k	1/16W	5%	RMC1/16S 103JTH	J24189037		1-	A	
R 1130	CHIP RES.	100	1/16W	5%	RMC1/16S 101JTH	J24189013		1-	B	
R 1131	CHIP RES.	4.7k	1/16W	5%	RMC1/16S 472JTH	J24189033		1-	A	
R 1132	CHIP RES.	47k	1/16W	5%	RMC1/16S 473JTH	J24189045		1-	A	
R 1133	CHIP RES.	10k	1/16W	5%	RMC1/16S 103JTH	J24189037		1-	A	
R 1134	CHIP RES.	10k	1/16W	5%	RMC1/16S 103JTH	J24189037		1-	A	
R 1135	CHIP RES.	1k	1/16W	5%	RMC1/16S 102JTH	J24189025		1-	A	
R 1136	CHIP RES.	1k	1/16W	5%	RMC1/16S 102JTH	J24189025		1-	A	
R 1137	CHIP RES.	10k	1/16W	5%	RMC1/16S 103JTH	J24189037		1-	A	
R 1138	CHIP RES.	1k	1/16W	5%	RMC1/16S 102JTH	J24189025		1-	A	
R 1139	CHIP RES.	1k	1/16W	5%	RMC1/16S 102JTH	J24189025		1-	A	
R 1141	CHIP RES.	0	1/16W	5%	RMC1/16S JPTH	J24189070		1-	A	
R 1142	CHIP RES.	10k	1/16W	5%	RMC1/16S 103JTH	J24189037		1-	A	
R 1143	CHIP RES.	0	1/16W	5%	RMC1/16S JPTH	J24189070		1-	A	
R 1144	CHIP RES.	10k	1/16W	5%	RMC1/16S 103JTH	J24189037		1-	A	
R 1145	CHIP RES.	10k	1/16W	5%	RMC1/16S 103JTH	J24189037		1-	A	
R 1146	CHIP RES.	4.7k	1/16W	5%	RMC1/16S 472JTH	J24189033		1-	A	
R 1147	CHIP RES.	10k	1/16W	5%	RMC1/16S 103JTH	J24189037		1-	A	
R 1148	CHIP RES.	1k	1/16W	5%	RMC1/16S 102JTH	J24189025		1-	A	
R 1149	CHIP RES.	1k	1/16W	5%	RMC1/16S 102JTH	J24189025		1-	A	
R 1150	CHIP RES.	0	1/16W	5%	RMC1/16S JPTH	J24189070		1-	A	
R 1151	CHIP RES.	4.7k	1/16W	5%	RMC1/16S 472JTH	J24189033		1-	A	
R 1152	CHIP RES.	4.7k	1/16W	5%	RMC1/16S 472JTH	J24189033		1-	A	
R 1153	CHIP RES.	10k	1/16W	5%	RMC1/16S 103JTH	J24189037		1-	A	
R 1154	CHIP RES.	10k	1/16W	5%	RMC1/16S 103JTH	J24189037		1-	A	
R 1155	CHIP RES.	10k	1/16W	5%	RMC1/16S 103JTH	J24189037		1-	A	
R 1156	CHIP RES.	10k	1/16W	5%	RMC1/16S 103JTH	J24189037		1-	A	
R 1157	CHIP RES.	10k	1/16W	5%	RMC1/16S 103JTH	J24189037		1-	A	
R 1158	CHIP RES.	10k	1/16W	5%	RMC1/16S 103JTH	J24189037		1-	A	
R 1159	CHIP RES.	15k	1/16W	5%	RMC1/16S 153JTH	J24189039		1-	A	
R 1160	CHIP RES.	3.3k	1/16W	5%	RMC1/16S 332JTH	J24189031		1-	A	
R 1161	BLOCK RES.				RAC104D103JCTP	J42900024		1-	B	
R 1162	CHIP RES.	10k	1/16W	5%	RMC1/16S 103JTH	J24189037		1-	A	
R 1163	CHIP RES.	4.7k	1/16W	5%	RMC1/16S 472JTH	J24189033		1-	B	
R 1164	CHIP RES.	4.7k	1/16W	5%	RMC1/16S 472JTH	J24189033		1-	B	
R 1166	CHIP RES.	0	1/16W	5%	RMC1/16S JPTH	J24189070		1-	A	

MAIN Unit Parts List

REF	DESCRIPTION	VALUE	V/W	TOL.	MFR'S DESIG	YAESU P/N	VERS.	LOT	SIDE	LAY ADR
R 1167	CHIP RES.	10	1/16W	5%	RMC1/16S 100JTH	J24189001		1-	B	
R 1168	CHIP RES.	0	1/10W	5%	RMC1/10T 000J	J24205000		1-	A	
R 1169	CHIP RES.	0	1/10W	5%	RMC1/10T 000J	J24205000		1-	A	
R 1170	CHIP RES.	10k	1/16W	5%	RMC1/16S 103JTH	J24189037		1-	A	
R 1172	CHIP RES.	220	1/16W	5%	RMC1/16S 221JTH	J24189017		1-	A	
R 1173	CHIP RES.	4.7k	1/16W	5%	RMC1/16S 472JTH	J24189033		1-	A	
R 1174	CHIP RES.	4.7k	1/16W	5%	RMC1/16S 472JTH	J24189033		1-	A	
R 1175	CHIP RES.	47k	1/16W	5%	RMC1/16S 473JTH	J24189045		1-	A	
R 1180	CHIP RES.	100k	1/16W	5%	RMC1/16S 104JTH	J24189049		1-	A	
R 1181	CHIP RES.	100k	1/16W	5%	RMC1/16S 104JTH	J24189049		1-	A	
R 1182	CHIP RES.	100k	1/16W	5%	RMC1/16S 104JTH	J24189049		1-	A	
R 1183	CHIP RES.	100k	1/16W	5%	RMC1/16S 104JTH	J24189049		1-	A	
R 1184	CHIP RES.	0	1/16W	5%	RMC1/16S JPTH	J24189070		1-	A	
R 1185	CHIP RES.	4.7k	1/16W	5%	RMC1/16S 472JTH	J24189033		1-	A	
R 1186	CHIP RES.	0	1/16W	5%	RMC1/16S JPTH	J24189070		1-	A	
R 1189	CHIP RES.	47k	1/16W	5%	RMC1/16S 473JTH	J24189045		1-	B	
R 1190	CHIP RES.	47k	1/16W	5%	RMC1/16S 473JTH	J24189045		1-	B	
R 1191	CHIP RES.	47k	1/16W	5%	RMC1/16S 473JTH	J24189045		1-	B	
R 1192	CHIP RES.	47k	1/16W	5%	RMC1/16S 473JTH	J24189045		1-	B	
R 1193	CHIP RES.	47k	1/16W	5%	RMC1/16S 473JTH	J24189045		1-	B	
R 1194	CHIP RES.	47k	1/16W	5%	RMC1/16S 473JTH	J24189045		1-	B	
R 1195	CHIP RES.	47k	1/16W	5%	RMC1/16S 473JTH	J24189045		1-	B	
R 1196	CHIP RES.	47k	1/16W	5%	RMC1/16S 473JTH	J24189045		1-	B	
R 1197	CHIP RES.	100k	1/16W	5%	RMC1/16S 104JTH	J24189049		1-	A	
R 1198	CHIP RES.	100k	1/16W	5%	RMC1/16S 104JTH	J24189049		1-	A	
R 1199	CHIP RES.	100k	1/16W	5%	RMC1/16S 104JTH	J24189049		1-	A	
R 1201	CHIP RES.	4.7k	1/16W	5%	RMC1/16S 472JTH	J24189033		1-	A	
R 1202	CHIP RES.	47	1/16W	5%	RMC1/16S 470JTH	J24189009		1-	A	
R 1203	CHIP RES.	0	1/10W	5%	RMC1/10T 000J	J24205000		1-	A	
R 1204	CHIP RES.	0	1/10W	5%	RMC1/10T 000J	J24205000		1-	A	
R 1205	CHIP RES.	0	1/10W	5%	RMC1/10T 000J	J24205000		1-	A	
R 1206	CHIP RES.	0	1/10W	5%	RMC1/10T 000J	J24205000		1-	A	
R 1207	CHIP RES.	1.5k	1/16W	5%	RMC1/16S 152JTH	J24189027		1-	A	
R 1208	CHIP RES.	4.7k	1/16W	5%	RMC1/16S 472JTH	J24189033		1-	A	
R 1209	CHIP RES.	2.2k	1/16W	5%	RMC1/16S 222JTH	J24189029		1-	A	
R 1210	CHIP RES.	1k	1/16W	5%	RMC1/16S 102JTH	J24189025		1-	A	
R 1212	CHIP RES.	470	1/16W	5%	RMC1/16S 471JTH	J24189021		1-	A	
R 1213	CHIP RES.	470k	1/16W	5%	RMC1/16S 474JTH	J24189057		1-	A	
R 1214	CHIP RES.	4.7k	1/16W	5%	RMC1/16S 472JTH	J24189033		1-	A	
R 1215	CHIP RES.	47k	1/16W	5%	RMC1/16S 473JTH	J24189045		1-	A	
R 1217	CHIP RES.	1k	1/16W	5%	RMC1/16S 102JTH	J24189025		1-	A	
R 1218	CHIP RES.	470k	1/16W	1%	ERJ2RKF4703X	J24189334		1-	A	
R 1219	CHIP RES.	120k	1/16W	1%	RMC1/16SK124FTH	J24189530		1-	A	
R 1220	CHIP RES.	120k	1/16W	1%	RMC1/16SK124FTH	J24189530		1-	A	
R 1221	CHIP RES.	10k	1/16W	5%	RMC1/16S 103JTH	J24189037		1-	A	
R 1222	CHIP RES.	100k	1/16W	5%	RMC1/16S 104JTH	J24189049		1-	A	
R 1223	CHIP RES.	0	1/16W	5%	RMC1/16S JPTH	J24189070		1-	A	
R 1225	CHIP RES.	1k	1/16W	5%	RMC1/16S 102JTH	J24189025		1-	A	
R 1226	CHIP RES.	10k	1/16W	5%	RMC1/16S 103JTH	J24189037		1-	A	
R 1227	CHIP RES.	10k	1/16W	5%	RMC1/16S 103JTH	J24189037		1-	A	
R 1228	CHIP RES.	0	1/16W	5%	RMC1/16S JPTH	J24189070		1-	A	
R 1229	CHIP RES.	100k	1/16W	0.5%	RR0510P-104-D-C	J24189167		1-	A	
R 1230	CHIP RES.	1k	1/16W	5%	RMC1/16S 102JTH	J24189025		1-	A	
R 1231	CHIP RES.	100k	1/16W	0.5%	RR0510P-104-D-C	J24189167		1-	A	
R 1232	CHIP RES.	0	1/16W	5%	RMC1/16S JPTH	J24189070		1-	A	
R 1233	CHIP RES.	4.7k	1/16W	5%	RMC1/16S 472JTH	J24189033		1-	A	
R 1235	CHIP RES.	100k	1/16W	5%	RMC1/16S 104JTH	J24189049		1-	A	
R 1236	CHIP RES.	4.7k	1/16W	0.5%	MCR01MZPD4701	J24189370		1-	A	
R 1237	CHIP RES.	15	1/16W	5%	RMC1/16S 150JTH	J24189003		1-	A	
R 1238	CHIP RES.	15	1/16W	5%	RMC1/16S 150JTH	J24189003		1-	A	
R 1239	CHIP RES.	15	1/16W	5%	RMC1/16S 150JTH	J24189003		1-	A	
R 1240	CHIP RES.	0	1/16W	5%	RMC1/16S JPTH	J24189070		1-	A	
R 1242	CHIP RES.	1k	1/16W	5%	RMC1/16S 102JTH	J24189025		1-	A	
R 1243	CHIP RES.	0	1/16W	5%	RMC1/16S JPTH	J24189070		1-	A	
R 1246	CHIP RES.	100k	1/16W	5%	RMC1/16S 104JTH	J24189049		1-	A	
R 1247	CHIP RES.	10	1/16W	5%	RMC1/16S 100JTH	J24189001		1-	A	
R 1248	CHIP RES.	470	1/16W	5%	RMC1/16S 471JTH	J24189021		1-	A	
R 1249	CHIP RES.	470	1/16W	5%	RMC1/16S 471JTH	J24189021		1-	A	
R 1250	CHIP RES.	470	1/16W	5%	RMC1/16S 471JTH	J24189021		1-	A	
R 1251	CHIP RES.	1k	1/16W	5%	RMC1/16S 102JTH	J24189025		1-	A	
R 1252	CHIP RES.	0	1/16W	5%	RMC1/16S JPTH	J24189070		1-	A	
R 1253	CHIP RES.	0	1/16W	5%	RMC1/16S JPTH	J24189070		1-	A	
R 1254	CHIP RES.	0	1/16W	5%	RMC1/16S JPTH	J24189070		1-	A	
R 1255	CHIP RES.	100k	1/16W	5%	RMC1/16S 104JTH	J24189049		1-	B	
R 1258	CHIP RES.	1	1/16W	5%	RMC1/16S 1R0JTH	J24189319		1-	A	

MAIN Unit Parts List

REF	DESCRIPTION	VALUE	V/W	TOL.	MFR'S DESIG	YAESU P/N	VERS.	LOT	SIDE	LAY ADR
R 1259	CHIP RES.	1	1/16W	5%	RMC1/16S 1R0JTH	J24189319		1-	A	
R 1260	CHIP RES.	22k	1/16W	5%	RMC1/16S 223JTH	J24189041		1-	A	
R 1262	CHIP RES.	22k	1/16W	5%	RMC1/16S 223JTH	J24189041		1-	A	
R 1263	CHIP RES.	3.3k	1/16W	5%	RMC1/16S 332JTH	J24189031		1-	A	
R 1264	CHIP RES.	100k	1/16W	5%	RMC1/16S 104JTH	J24189049		1-	A	
R 1265	CHIP RES.	100k	1/16W	5%	RMC1/16S 104JTH	J24189049		1-	A	
R 1266	CHIP RES.	47	1/16W	5%	RMC1/16S 470JTH	J24189009		1-	A	
R 1267	CHIP RES.	100k	1/16W	5%	RMC1/16S 104JTH	J24189049		1-	A	
R 1268	CHIP RES.	47k	1/16W	5%	RMC1/16S 473JTH	J24189045		1-	A	
R 1269	CHIP RES.	4.7	1/16W	5%	RMC1/16S 4R7JTH	J24189066		1-	A	
R 1270	CHIP RES.	1M	1/16W	5%	RMC1/16S 105JTH	J24189061		1-	A	
R 1271	CHIP RES.	0	1/16W	5%	RMC1/16S JPTH	J24189070		1-	A	
R 1272	CHIP RES.	1k	1/16W	5%	RMC1/16S 102JTH	J24189025		1-	A	
R 1273	CHIP RES.	470	1/16W	5%	RMC1/16S 471JTH	J24189021		1-	A	
R 1274	CHIP RES.	470	1/16W	5%	RMC1/16S 471JTH	J24189021		1-	A	
R 1275	CHIP RES.	470	1/16W	5%	RMC1/16S 471JTH	J24189021		1-	A	
R 1276	CHIP RES.	1.5k	1/16W	5%	RMC1/16S 152JTH	J24189027		1-	A	
R 1277	CHIP RES.	4.7k	1/16W	5%	RMC1/16S 472JTH	J24189033		1-	A	
R 1278	CHIP RES.	4.7k	1/16W	5%	RMC1/16S 472JTH	J24189033		1-	B	
R 1279	CHIP RES.	4.7k	1/16W	5%	RMC1/16S 472JTH	J24189033		1-	B	
R 1280	CHIP RES.	33	1/16W	5%	RMC1/16S 330JTH	J24189007		1-	A	
R 1281	CHIP RES.	33	1/16W	5%	RMC1/16S 330JTH	J24189007		1-	A	
R 1282	CHIP RES.	33	1/16W	5%	RMC1/16S 330JTH	J24189007		1-	A	
R 1283	CHIP RES.	22k	1/16W	5%	RMC1/16S 223JTH	J24189041		1-	B	
R 1284	CHIP RES.	22k	1/16W	5%	RMC1/16S 223JTH	J24189041		1-	B	
R 1285	CHIP RES.	22k	1/16W	5%	RMC1/16S 223JTH	J24189041		1-	B	
R 1286	CHIP RES.	22k	1/16W	5%	RMC1/16S 223JTH	J24189041		1-	B	
R 1287	CHIP RES.	47k	1/16W	5%	RMC1/16S 473JTH	J24189045		1-	A	
R 1288	CHIP RES.	47k	1/16W	5%	RMC1/16S 473JTH	J24189045		1-	A	
R 1289	CHIP RES.	0	1/16W	5%	RMC1/16S JPTH	J24189070		1-	A	
R 1801	CHIP RES.	10k	1/16W	5%	RMC1/16S 103JTH	J24189037		1-	A	
R 1803	CHIP RES.	0	1/16W	5%	RMC1/16S JPTH	J24189070		1-	A	
R 1805	CHIP RES.	10k	1/16W	5%	RMC1/16S 103JTH	J24189037		1-	A	
R 1806	CHIP RES.	10k	1/16W	5%	RMC1/16S 103JTH	J24189037		1-	A	
R 1809	CHIP RES.	10k	1/16W	5%	RMC1/16S 103JTH	J24189037		1-	A	
R 1810	CHIP RES.	0	1/16W	5%	RMC1/16 000JATP	J24185000		1-	A	
R 1811	CHIP RES.	0	1/16W	5%	RMC1/16S JPTH	J24189070		1-	A	
R 1812	CHIP RES.	0	1/16W	5%	RMC1/16 000JATP	J24185000		1-	A	
R 1813	CHIP RES.	10	1/16W	5%	RMC1/16S 100JTH	J24189001		1-	A	
R 1814	CHIP RES.	0	1/16W	5%	RMC1/16S JPTH	J24189070		1-	A	
R 1815	CHIP RES.	100	1/16W	5%	RMC1/16S 101JTH	J24189013		1-	A	
R 1816	CHIP RES.	100	1/16W	5%	RMC1/16S 101JTH	J24189013		1-	A	
R 1817	CHIP RES.	100	1/16W	5%	RMC1/16S 101JTH	J24189013		1-	A	
R 1818	CHIP RES.	100	1/16W	5%	RMC1/16S 101JTH	J24189013		1-	A	
R 1819	CHIP RES.	100	1/16W	5%	RMC1/16S 101JTH	J24189013		1-	A	
R 1823	CHIP RES.	4.7k	1/16W	5%	RMC1/16S 472JTH	J24189033		1-	A	
R 1824	CHIP RES.	4.7k	1/16W	5%	RMC1/16S 472JTH	J24189033		1-	A	
R 1825	CHIP RES.	0	1/16W	5%	RMC1/16S JPTH	J24189070		1-	A	
R 1826	CHIP RES.	0	1/16W	5%	RMC1/16S JPTH	J24189070		1-	A	
R 1827	CHIP RES.	820	1/16W	5%	RMC1/16S 821JTH	J24189024		1-	A	
R 1829	CHIP RES.	10k	1/16W	5%	RMC1/16S 103JTH	J24189037		1-	A	
R 1830	CHIP RES.	10k	1/16W	5%	RMC1/16S 103JTH	J24189037		1-	A	
R 1831	CHIP RES.	10k	1/16W	5%	RMC1/16S 103JTH	J24189037		1-	A	
R 1834	CHIP RES.	4.7k	1/16W	5%	RMC1/16S 472JTH	J24189033		1-	A	
R 1835	CHIP RES.	1M	1/16W	5%	RMC1/16S 105JTH	J24189061		1-	A	
R 1836	CHIP RES.	4.7k	1/16W	5%	RMC1/16S 472JTH	J24189033		1-	A	
R 1837	CHIP RES.	4.7k	1/16W	5%	RMC1/16S 472JTH	J24189033		1-	A	
R 1838	CHIP RES.	0	1/16W	5%	RMC1/16 000JATP	J24185000		1-	A	
R 1839	CHIP RES.	1k	1/16W	5%	RMC1/16S 102JTH	J24189025		1-	A	
R 1841	CHIP RES.	2.2k	1/16W	5%	RMC1/16S 222JTH	J24189029		1-	A	
R 1842	CHIP RES.	2.2k	1/16W	5%	RMC1/16S 222JTH	J24189029		1-	A	
R 1843	CHIP RES.	0	1/16W	5%	RMC1/16S JPTH	J24189070		1-	A	
R 1844	CHIP RES.	0	1/16W	5%	RMC1/16S JPTH	J24189070		1-	A	
R 1845	CHIP RES.	0	1/16W	5%	RMC1/16S JPTH	J24189070		1-	A	
R 1846	CHIP RES.	0	1/16W	5%	RMC1/16S JPTH	J24189070		1-	A	
R 1847	CHIP RES.	0	1/16W	5%	RMC1/16S JPTH	J24189070		1-	A	
R 1848	CHIP RES.	0	1/16W	5%	RMC1/16S JPTH	J24189070		1-	A	
R 1849	CHIP RES.	0	1/16W	5%	RMC1/16S JPTH	J24189070		1-	A	
R 1850	CHIP RES.	0	1/16W	5%	RMC1/16S JPTH	J24189070		1-	A	
R 1851	CHIP RES.	0	1/16W	5%	RMC1/16S JPTH	J24189070		1-	A	
R 1852	CHIP RES.	0	1/16W	5%	RMC1/16S JPTH	J24189070		1-	A	
R 1853	CHIP RES.	0	1/16W	5%	RMC1/16S JPTH	J24189070		1-	A	
R 1854	CHIP RES.	4.7k	1/16W	5%	RMC1/16S 472JTH	J24189033		1-	A	
R 1856	CHIP RES.	68	1/16W	5%	RMC1/16S 680JTH	J24189011		1-	A	
R 1857	CHIP RES.	68	1/16W	5%	RMC1/16S 680JTH	J24189011		1-	A	

MAIN Unit Parts List

REF	DESCRIPTION	VALUE	V/W	TOL.	MFR'S DESIG	YAESU P/N	VERS.	LOT	SIDE	LAY ADR
R 1860	CHIP RES.	0	1/16W	5%	RMC1/16S JPTH	J24189070		1-	A	
R 1878	CHIP RES.	68	1/16W	5%	RMC1/16S 680JTH	J24189011		1-	A	
R 1879	CHIP RES.	68	1/16W	5%	RMC1/16S 680JTH	J24189011		1-	A	
R 1889	CHIP RES.	47k	1/16W	5%	RMC1/16S 473JTH	J24189045		1-	A	
R 1890	CHIP RES.	0	1/16W	5%	RMC1/16S JPTH	J24189070		1-	A	
R 2001	CHIP RES.	62k	1/16W	0.5%	RR0510P-623-D	J24189592		1-	A	
R 2002	CHIP RES.	39k	1/16W	1%	RMC1/16SK393FTH	J24189524		1-	A	
R 2003	CHIP RES.	10k	1/16W	5%	RMC1/16S 103JTH	J24189037		1-	A	
R 2004	CHIP RES.	2.2k	1/16W	5%	RMC1/16S 222JTH	J24189029		1-	B	
R 2005	CHIP RES.	2.2k	1/16W	5%	RMC1/16S 222JTH	J24189029		1-	B	
R 2006	CHIP RES.	10k	1/16W	5%	RMC1/16S 103JTH	J24189037		1-	A	
R 2007	CHIP RES.	2.2k	1/16W	5%	RMC1/16S 222JTH	J24189029		1-	B	
R 2008	CHIP RES.	22	1/16W	5%	RMC1/16S 220JTH	J24189005		1-	A	
R 2009	CHIP RES.	47	1/16W	5%	RMC1/16S 470JTH	J24189009		1-	A	
R 2010	CHIP RES.	47	1/16W	5%	RMC1/16S 470JTH	J24189009		1-	A	
R 2011	CHIP RES.	10k	1/16W	5%	RMC1/16S 103JTH	J24189037		1-	A	
R 2012	CHIP RES.	10k	1/16W	5%	RMC1/16S 103JTH	J24189037		1-	A	
R 2013	CHIP RES.	47	1/16W	5%	RMC1/16S 470JTH	J24189009		1-	B	
R 2014	CHIP RES.	22	1/16W	5%	RMC1/16S 220JTH	J24189005		1-	A	
R 2015	CHIP RES.	47	1/16W	5%	RMC1/16S 470JTH	J24189009		1-	A	
R 2016	CHIP RES.	22	1/16W	5%	RMC1/16S 220JTH	J24189005		1-	A	
R 2017	CHIP RES.	10k	1/16W	5%	RMC1/16S 103JTH	J24189037		1-	A	
R 2018	CHIP RES.	47	1/16W	5%	RMC1/16S 470JTH	J24189009		1-	A	
R 2019	CHIP RES.	22	1/16W	5%	RMC1/16S 220JTH	J24189005		1-	B	
R 2020	CHIP RES.	22	1/16W	5%	RMC1/16S 220JTH	J24189005		1-	A	
R 2021	CHIP RES.	47	1/16W	5%	RMC1/16S 470JTH	J24189009		1-	A	
R 2022	CHIP RES.	47	1/16W	5%	RMC1/16S 470JTH	J24189009		1-	B	
R 2029	CHIP RES.	0	1/16W	5%	RMC1/16S JPTH	J24189070		1-	A	
R 2030	CHIP RES.	330	1/16W	5%	RMC1/16S 331JTH	J24189019		1-	A	
R 2031	CHIP RES.	2.2k	1/16W	5%	RMC1/16S 222JTH	J24189029		1-	A	
R 2032	CHIP RES.	47	1/16W	5%	RMC1/16S 470JTH	J24189009		1-	A	
R 2033	CHIP RES.	47	1/16W	5%	RMC1/16S 470JTH	J24189009		1-	A	
R 2034	CHIP RES.	10k	1/16W	5%	RMC1/16S 103JTH	J24189037		1-	A	
R 2035	CHIP RES.	10k	1/16W	5%	RMC1/16S 103JTH	J24189037		1-	A	
R 2036	CHIP RES.	10k	1/16W	5%	RMC1/16S 103JTH	J24189037		1-	A	
R 2037	CHIP RES.	22k	1/16W	5%	RMC1/16S 223JTH	J24189041		1-	A	
R 2038	CHIP RES.	10k	1/16W	5%	RMC1/16S 103JTH	J24189037		1-	B	
R 2039	CHIP RES.	10k	1/16W	5%	RMC1/16S 103JTH	J24189037		1-	B	
R 2040	CHIP RES.	0	1/16W	5%	RMC1/16 000JATP	J24185000		1-	A	
R 2041	CHIP RES.	0	1/16W	5%	RMC1/16S JPTH	J24189070		1-	A	
R 2042	CHIP RES.	330	1/16W	5%	RMC1/16S 331JTH	J24189019		1-	A	
R 2043	CHIP RES.	220	1/16W	5%	RMC1/16S 221JTH	J24189017		1-	A	
R 2044	CHIP RES.	22	1/16W	5%	RMC1/16S 220JTH	J24189005		1-	A	
R 2045	CHIP RES.	4.7k	1/16W	5%	RMC1/16S 472JTH	J24189033		1-	A	
R 2046	CHIP RES.	10k	1/16W	5%	RMC1/16S 103JTH	J24189037		1-	A	
R 2047	CHIP RES.	22	1/16W	5%	RMC1/16S 220JTH	J24189005		1-	A	
R 2048	CHIP RES.	22	1/16W	5%	RMC1/16S 220JTH	J24189005		1-	B	
R 2050	CHIP RES.	100	1/16W	5%	RMC1/16S 101JTH	J24189013		1-	A	
R 2051	CHIP RES.	22	1/16W	5%	RMC1/16S 220JTH	J24189005		1-	A	
R 2052	CHIP RES.	22	1/16W	5%	RMC1/16S 220JTH	J24189005		1-	A	
R 2053	CHIP RES.	22	1/16W	5%	RMC1/16S 220JTH	J24189005		1-	A	
R 2054	CHIP RES.	22	1/16W	5%	RMC1/16S 220JTH	J24189005		1-	A	
R 2055	CHIP RES.	22	1/16W	5%	RMC1/16S 220JTH	J24189005		1-	A	
R 2056	CHIP RES.	22	1/16W	5%	RMC1/16S 220JTH	J24189005		1-	A	
R 2057	CHIP RES.	22	1/16W	5%	RMC1/16S 220JTH	J24189005		1-	A	
R 2058	CHIP RES.	220	1/16W	5%	RMC1/16S 221JTH	J24189017		1-	A	
R 2059	CHIP RES.	10k	1/16W	5%	RMC1/16S 103JTH	J24189037		1-	A	
R 2060	CHIP RES.	1k	1/16W	5%	RMC1/16S 102JTH	J24189025		1-	A	
R 2061	CHIP RES.	10k	1/16W	5%	RMC1/16S 103JTH	J24189037		1-	B	
R 2063	CHIP RES.	10k	1/16W	5%	RMC1/16S 103JTH	J24189037		1-	B	
R 2065	CHIP RES.	10k	1/16W	5%	RMC1/16S 103JTH	J24189037		1-	A	
R 2066	CHIP RES.	10k	1/16W	5%	RMC1/16S 103JTH	J24189037		1-	A	
R 2067	CHIP RES.	10k	1/16W	5%	RMC1/16S 103JTH	J24189037		1-	A	
R 2068	CHIP RES.	22k	1/16W	5%	RMC1/16S 223JTH	J24189041		1-	A	
R 2069	CHIP RES.	10k	1/16W	5%	RMC1/16S 103JTH	J24189037		1-	A	
R 2070	CHIP RES.	10k	1/16W	5%	RMC1/16S 103JTH	J24189037		1-	A	
R 2071	CHIP RES.	22k	1/16W	5%	RMC1/16S 223JTH	J24189041		1-	A	
R 2072	CHIP RES.	22	1/16W	5%	RMC1/16S 220JTH	J24189005		1-	B	
R 2073	CHIP RES.	10k	1/16W	5%	RMC1/16S 103JTH	J24189037		1-	A	
R 2074	CHIP RES.	10k	1/16W	5%	RMC1/16S 103JTH	J24189037		1-	A	
R 2076	CHIP RES.	0	1/16W	5%	RMC1/16S JPTH	J24189070		1-	A	
R 2077	CHIP RES.	100	1/16W	5%	RMC1/16S 101JTH	J24189013		1-	A	
R 2078	CHIP RES.	1k	1/16W	5%	RMC1/16S 102JTH	J24189025		1-	A	
R 2079	CHIP RES.	10k	1/16W	5%	RMC1/16S 103JTH	J24189037		1-	A	
R 2080	CHIP RES.	10k	1/16W	5%	RMC1/16S 103JTH	J24189037		1-	A	

MAIN Unit Parts List

REF	DESCRIPTION	VALUE	V/W	TOL.	MFR'S DESIG	YAESU P/N	VERS.	LOT	SIDE	LAY ADR
R 2081	CHIP RES.	100	1/16W	5%	RMC1/16S 101JTH	J24189013		1-	A	
R 2082	CHIP RES.	100	1/16W	5%	RMC1/16S 101JTH	J24189013		1-	A	
R 2086	CHIP RES.	10k	1/16W	5%	RMC1/16S 103JTH	J24189037		1-	B	
R 2088	CHIP RES.	10k	1/16W	5%	RMC1/16S 103JTH	J24189037		1-	B	
R 2090	CHIP RES.	10k	1/16W	5%	RMC1/16S 103JTH	J24189037		1-	B	
R 2091	CHIP RES.	100	1/16W	5%	RMC1/16S 101JTH	J24189013		1-	A	
R 2093	CHIP RES.	100	1/16W	5%	RMC1/16S 101JTH	J24189013		1-	A	
R 2095	CHIP RES.	22	1/16W	5%	RMC1/16S 220JTH	J24189005		1-	B	
R 2096	CHIP RES.	22	1/16W	5%	RMC1/16S 220JTH	J24189005		1-	B	
R 2097	CHIP RES.	22	1/16W	5%	RMC1/16S 220JTH	J24189005		1-	B	
R 2098	CHIP RES.	22	1/16W	5%	RMC1/16S 220JTH	J24189005		1-	B	
R 2099	CHIP RES.	22	1/16W	5%	RMC1/16S 220JTH	J24189005		1-	B	
R 2100	CHIP RES.	22	1/16W	5%	RMC1/16S 220JTH	J24189005		1-	A	
R 2101	CHIP RES.	22	1/16W	5%	RMC1/16S 220JTH	J24189005		1-	A	
R 2102	CHIP RES.	22	1/16W	5%	RMC1/16S 220JTH	J24189005		1-	A	
R 2103	CHIP RES.	22	1/16W	5%	RMC1/16S 220JTH	J24189005		1-	B	
R 2104	CHIP RES.	1k	1/16W	5%	RMC1/16S 102JTH	J24189025		1-	B	
R 2105	CHIP RES.	1k	1/16W	5%	RMC1/16S 102JTH	J24189025		1-	B	
R 2106	CHIP RES.	100	1/16W	5%	RMC1/16S 101JTH	J24189013		1-	A	
R 2107	CHIP RES.	10k	1/16W	5%	RMC1/16S 103JTH	J24189037		1-	A	
R 2108	CHIP RES.	10k	1/16W	5%	RMC1/16S 103JTH	J24189037		1-	A	
R 2109	CHIP RES.	100k	1/16W	1%	RMC1/16SK104FTH	J24189529		1-	A	
R 2110	CHIP RES.	1k	1/16W	5%	RMC1/16S 102JTH	J24189025		1-	A	
R 2111	CHIP RES.	1k	1/16W	5%	RMC1/16S 102JTH	J24189025		1-	A	
R 2112	CHIP RES.	1k	1/16W	5%	RMC1/16S 102JTH	J24189025		1-	B	
R 2113	CHIP RES.	1k	1/16W	5%	RMC1/16S 102JTH	J24189025		1-	A	
R 2114	CHIP RES.	0	1/10W	5%	RMC1/10T 000J	J24205000		1-	A	
R 2115	CHIP RES.	33k	1/16W	1%	RMC1/16SK333FTH	J24189494		1-	A	
R 2116	CHIP RES.	2.2k	1/16W	5%	RMC1/16S 222JTH	J24189029		1-	A	
R 2117	CHIP RES.	4.7k	1/16W	5%	RMC1/16S 472JTH	J24189033		1-	A	
R 2118	CHIP RES.	10k	1/16W	5%	RMC1/16S 103JTH	J24189037		1-	A	
R 2119	CHIP RES.	10k	1/16W	5%	RMC1/16S 103JTH	J24189037		1-	A	
R 2120	CHIP RES.	10k	1/16W	5%	RMC1/16S 103JTH	J24189037		1-	A	
R 2121	CHIP RES.	2.2k	1/16W	5%	RMC1/16S 222JTH	J24189029		1-	B	
R 2122	CHIP RES.	10k	1/16W	5%	RMC1/16S 103JTH	J24189037		1-	A	
R 2123	CHIP RES.	2.2k	1/16W	5%	RMC1/16S 222JTH	J24189029		1-	B	
R 2124	CHIP RES.	22	1/16W	5%	RMC1/16S 220JTH	J24189005		1-	A	
R 2125	CHIP RES.	47	1/16W	5%	RMC1/16S 470JTH	J24189009		1-	A	
R 2126	CHIP RES.	47	1/16W	5%	RMC1/16S 470JTH	J24189009		1-	A	
R 2127	CHIP RES.	10k	1/16W	5%	RMC1/16S 103JTH	J24189037		1-	A	
R 2128	CHIP RES.	10k	1/16W	5%	RMC1/16S 103JTH	J24189037		1-	A	
R 2129	CHIP RES.	47	1/16W	5%	RMC1/16S 470JTH	J24189009		1-	B	
R 2130	CHIP RES.	22	1/16W	5%	RMC1/16S 220JTH	J24189005		1-	A	
R 2131	CHIP RES.	47	1/16W	5%	RMC1/16S 470JTH	J24189009		1-	A	
R 2132	CHIP RES.	22	1/16W	5%	RMC1/16S 220JTH	J24189005		1-	A	
R 2133	CHIP RES.	10k	1/16W	5%	RMC1/16S 103JTH	J24189037		1-	A	
R 2134	CHIP RES.	47	1/16W	5%	RMC1/16S 470JTH	J24189009		1-	A	
R 2135	CHIP RES.	22	1/16W	5%	RMC1/16S 220JTH	J24189005		1-	B	
R 2136	CHIP RES.	22	1/16W	5%	RMC1/16S 220JTH	J24189005		1-	B	
R 2137	CHIP RES.	47	1/16W	5%	RMC1/16S 470JTH	J24189009		1-	B	
R 2138	CHIP RES.	47	1/16W	5%	RMC1/16S 470JTH	J24189009		1-	B	
R 2144	CHIP RES.	100	1/16W	5%	RMC1/16S 101JTH	J24189013		1-	A	
R 2145	CHIP RES.	100	1/16W	5%	RMC1/16S 101JTH	J24189013		1-	A	
R 2146	CHIP RES.	2.2k	1/16W	5%	RMC1/16S 222JTH	J24189029		1-	A	
R 2147	CHIP RES.	47	1/16W	5%	RMC1/16S 470JTH	J24189009		1-	B	
R 2148	CHIP RES.	47	1/16W	5%	RMC1/16S 470JTH	J24189009		1-	A	
R 2149	CHIP RES.	100	1/16W	5%	RMC1/16S 101JTH	J24189013		1-	A	
R 2150	CHIP RES.	100	1/16W	5%	RMC1/16S 101JTH	J24189013		1-	A	
R 2151	CHIP RES.	10k	1/16W	5%	RMC1/16S 103JTH	J24189037		1-	A	
R 2152	CHIP RES.	2.2k	1/16W	5%	RMC1/16S 222JTH	J24189029		1-	B	
R 2154	CHIP RES.	10k	1/16W	5%	RMC1/16S 103JTH	J24189037		1-	A	
R 2160	CHIP RES.	22	1/16W	5%	RMC1/16S 220JTH	J24189005		1-	A	
R 2161	CHIP RES.	22	1/16W	5%	RMC1/16S 220JTH	J24189005		1-	B	
R 2167	CHIP RES.	10k	1/16W	5%	RMC1/16S 103JTH	J24189037		1-	B	
R 2169	CHIP RES.	10k	1/16W	5%	RMC1/16S 103JTH	J24189037		1-	B	
R 2171	CHIP RES.	10k	1/16W	5%	RMC1/16S 103JTH	J24189037		1-	B	
R 2173	CHIP RES.	10k	1/16W	5%	RMC1/16S 103JTH	J24189037		1-	B	
R 2175	CHIP RES.	10k	1/16W	5%	RMC1/16S 103JTH	J24189037		1-	A	
R 2179	CHIP RES.	10k	1/16W	5%	RMC1/16S 103JTH	J24189037		1-	B	
R 2180	CHIP RES.	10k	1/16W	5%	RMC1/16S 103JTH	J24189037		1-	A	
R 2181	CHIP RES.	10k	1/16W	5%	RMC1/16S 103JTH	J24189037		1-	A	
R 2182	CHIP RES.	22k	1/16W	5%	RMC1/16S 223JTH	J24189041		1-	A	
R 2183	CHIP RES.	10k	1/16W	5%	RMC1/16S 103JTH	J24189037		1-	A	
R 2184	CHIP RES.	10k	1/16W	5%	RMC1/16S 103JTH	J24189037		1-	A	
R 2199	CHIP RES.	10k	1/16W	5%	RMC1/16S 103JTH	J24189037		1-	A	

MAIN Unit Parts List

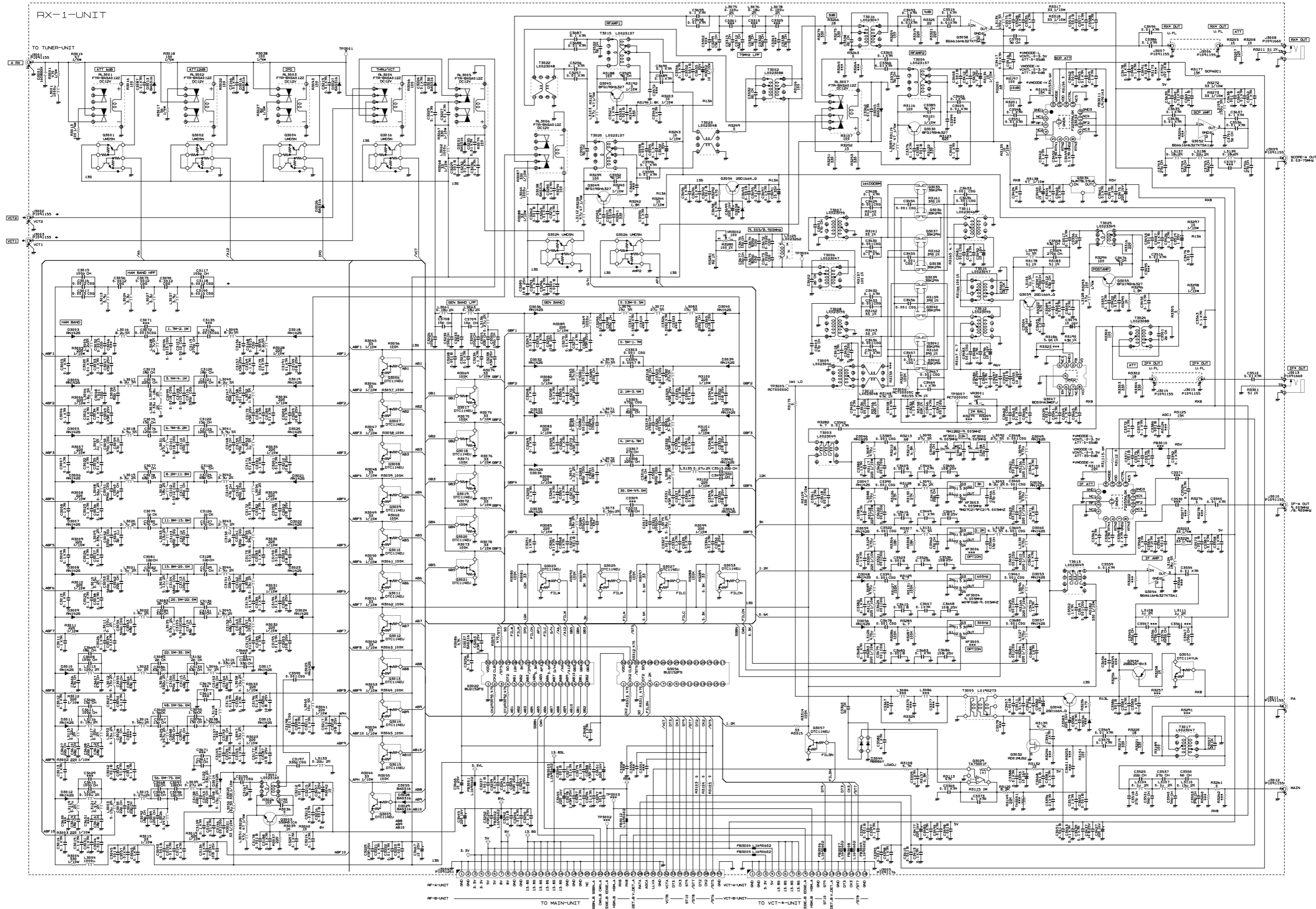
REF	DESCRIPTION	VALUE	V/W	TOL.	MFR'S DESIG	YAESU P/N	VERS.	LOT	SIDE	LAY ADR
R 2202	CHIP RES.	100	1/16W	5%	RMC1/16S 101JTH	J24189013		1-	A	
R 2204	CHIP RES.	10k	1/16W	5%	RMC1/16S 103JTH	J24189037		1-	A	
R 2205	CHIP RES.	2.2k	1/16W	5%	RMC1/16S 222JTH	J24189029		1-	A	
R 2206	CHIP RES.	10k	1/16W	5%	RMC1/16S 103JTH	J24189037		1-	A	
R 2207	CHIP RES.	2.2k	1/16W	5%	RMC1/16S 222JTH	J24189029		1-	B	
R 2208	CHIP RES.	2.2k	1/16W	5%	RMC1/16S 222JTH	J24189029		1-	B	
R 2209	CHIP RES.	10k	1/16W	5%	RMC1/16S 103JTH	J24189037		1-	A	
R 2210	CHIP RES.	2.2k	1/16W	5%	RMC1/16S 222JTH	J24189029		1-	B	
R 2211	CHIP RES.	22	1/16W	5%	RMC1/16S 220JTH	J24189005		1-	A	
R 2212	CHIP RES.	47	1/16W	5%	RMC1/16S 470JTH	J24189009		1-	B	
R 2213	CHIP RES.	47	1/16W	5%	RMC1/16S 470JTH	J24189009		1-	A	
R 2214	CHIP RES.	47	1/16W	5%	RMC1/16S 470JTH	J24189009		1-	A	
R 2215	CHIP RES.	47	1/16W	5%	RMC1/16S 470JTH	J24189009		1-	A	
R 2216	CHIP RES.	47	1/16W	5%	RMC1/16S 470JTH	J24189009		1-	B	
R 2217	CHIP RES.	22	1/16W	5%	RMC1/16S 220JTH	J24189005		1-	A	
R 2218	CHIP RES.	47	1/16W	5%	RMC1/16S 470JTH	J24189009		1-	A	
R 2219	CHIP RES.	22	1/16W	5%	RMC1/16S 220JTH	J24189005		1-	A	
R 2220	CHIP RES.	47	1/16W	5%	RMC1/16S 470JTH	J24189009		1-	A	
R 2221	CHIP RES.	47	1/16W	5%	RMC1/16S 470JTH	J24189009		1-	A	
R 2222	CHIP RES.	22	1/16W	5%	RMC1/16S 220JTH	J24189005		1-	A	
R 2223	CHIP RES.	22	1/16W	5%	RMC1/16S 220JTH	J24189005		1-	A	
R 2224	CHIP RES.	47	1/16W	5%	RMC1/16S 470JTH	J24189009		1-	B	
R 2225	CHIP RES.	47	1/16W	5%	RMC1/16S 470JTH	J24189009		1-	B	
R 2226	CHIP RES.	22	1/16W	5%	RMC1/16S 220JTH	J24189005		1-	B	
R 2227	CHIP RES.	22	1/16W	5%	RMC1/16S 220JTH	J24189005		1-	B	
R 2230	CHIP RES.	47	1/16W	5%	RMC1/16S 470JTH	J24189009		1-	A	
R 2231	CHIP RES.	2.2k	1/16W	5%	RMC1/16S 222JTH	J24189029		1-	A	
R 2232	CHIP RES.	47	1/16W	5%	RMC1/16S 470JTH	J24189009		1-	A	
R 2233	CHIP RES.	10k	1/16W	5%	RMC1/16S 103JTH	J24189037		1-	A	
R 2234	CHIP RES.	10k	1/16W	5%	RMC1/16S 103JTH	J24189037		1-	A	
R 2235	CHIP RES.	10k	1/16W	5%	RMC1/16S 103JTH	J24189037		1-	A	
R 2236	CHIP RES.	22k	1/16W	5%	RMC1/16S 223JTH	J24189041		1-	A	
R 2238	CHIP RES.	100	1/16W	5%	RMC1/16S 101JTH	J24189013		1-	A	
R 2240	CHIP RES.	2.2k	1/16W	5%	RMC1/16S 222JTH	J24189029		1-	A	
R 2242	CHIP RES.	22	1/16W	5%	RMC1/16S 220JTH	J24189005		1-	B	
R 2243	CHIP RES.	22	1/16W	5%	RMC1/16S 220JTH	J24189005		1-	B	
R 2244	CHIP RES.	47	1/16W	5%	RMC1/16S 470JTH	J24189009		1-	B	
R 2245	CHIP RES.	10k	1/16W	5%	RMC1/16S 103JTH	J24189037		1-	A	
R 2246	CHIP RES.	47	1/16W	5%	RMC1/16S 470JTH	J24189009		1-	A	
R 2247	CHIP RES.	10k	1/16W	5%	RMC1/16S 103JTH	J24189037		1-	A	
R 2248	CHIP RES.	10k	1/16W	5%	RMC1/16S 103JTH	J24189037		1-	A	
R 2249	CHIP RES.	22k	1/16W	5%	RMC1/16S 223JTH	J24189041		1-	A	
R 2250	CHIP RES.	10k	1/16W	5%	RMC1/16S 103JTH	J24189037		1-	A	
R 2253	CHIP RES.	10k	1/16W	5%	RMC1/16S 103JTH	J24189037		1-	A	
R 2254	CHIP RES.	22k	1/16W	5%	RMC1/16S 223JTH	J24189041		1-	A	
R 2255	CHIP RES.	22	1/16W	5%	RMC1/16S 220JTH	J24189005		1-	A	
R 2256	CHIP RES.	22	1/16W	5%	RMC1/16S 220JTH	J24189005		1-	B	
R 2257	CHIP RES.	10k	1/16W	5%	RMC1/16S 103JTH	J24189037		1-	A	
R 2258	CHIP RES.	22k	1/16W	5%	RMC1/16S 223JTH	J24189041		1-	A	
R 2259	CHIP RES.	10k	1/16W	5%	RMC1/16S 103JTH	J24189037		1-	A	
R 2260	CHIP RES.	100	1/16W	5%	RMC1/16S 101JTH	J24189013		1-	A	
R 2261	CHIP RES.	100	1/16W	5%	RMC1/16S 101JTH	J24189013		1-	A	
R 2262	CHIP RES.	100	1/16W	5%	RMC1/16S 101JTH	J24189013		1-	A	
R 2264	CHIP RES.	10k	1/16W	5%	RMC1/16S 103JTH	J24189037		1-	B	
R 2266	CHIP RES.	10k	1/16W	5%	RMC1/16S 103JTH	J24189037		1-	A	
R 2267	CHIP RES.	47	1/16W	5%	RMC1/16S 470JTH	J24189009		1-	A	
R 2268	CHIP RES.	47	1/16W	5%	RMC1/16S 470JTH	J24189009		1-	A	
R 2269	CHIP RES.	47	1/16W	5%	RMC1/16S 470JTH	J24189009		1-	A	
R 2270	CHIP RES.	47	1/16W	5%	RMC1/16S 470JTH	J24189009		1-	A	
R 2288	CHIP RES.	10k	1/16W	5%	RMC1/16S 103JTH	J24189037		1-	B	
R 2290	CHIP RES.	10k	1/16W	5%	RMC1/16S 103JTH	J24189037		1-	B	
R 2292	CHIP RES.	10k	1/16W	5%	RMC1/16S 103JTH	J24189037		1-	B	
R 2294	CHIP RES.	10k	1/16W	5%	RMC1/16S 103JTH	J24189037		1-	B	
R 2295	CHIP RES.	10k	1/16W	5%	RMC1/16S 103JTH	J24189037		1-	A	
R 2296	CHIP RES.	10k	1/16W	5%	RMC1/16S 103JTH	J24189037		1-	A	
R 2297	CHIP RES.	22k	1/16W	5%	RMC1/16S 223JTH	J24189041		1-	A	
R 2299	CHIP RES.	10k	1/16W	5%	RMC1/16S 103JTH	J24189037		1-	A	
R 2300	CHIP RES.	10k	1/16W	5%	RMC1/16S 103JTH	J24189037		1-	A	
R 2301	CHIP RES.	100	1/16W	5%	RMC1/16S 101JTH	J24189013		1-	A	
R 2302	CHIP RES.	2.2k	1/16W	5%	RMC1/16S 222JTH	J24189029		1-	A	
R 2303	CHIP RES.	10k	1/16W	5%	RMC1/16S 103JTH	J24189037		1-	A	
R 2304	CHIP RES.	100k	1/16W	5%	RMC1/16S 104JTH	J24189049		1-	A	
R 2305	CHIP RES.	100k	1/16W	5%	RMC1/16S 104JTH	J24189049		1-	A	
R 2306	CHIP RES.	100k	1/16W	5%	RMC1/16S 104JTH	J24189049		1-	A	
R 2307	CHIP RES.	100k	1/16W	5%	RMC1/16S 104JTH	J24189049		1-	A	

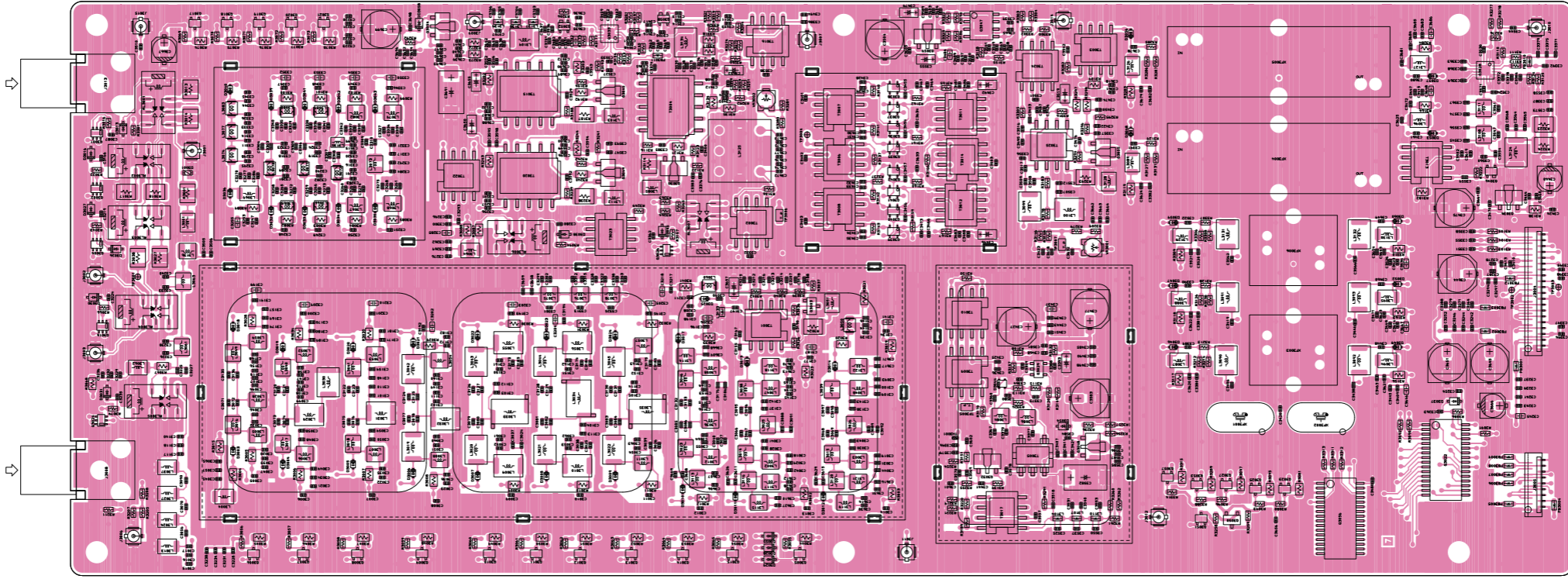
MAIN Unit

Parts List

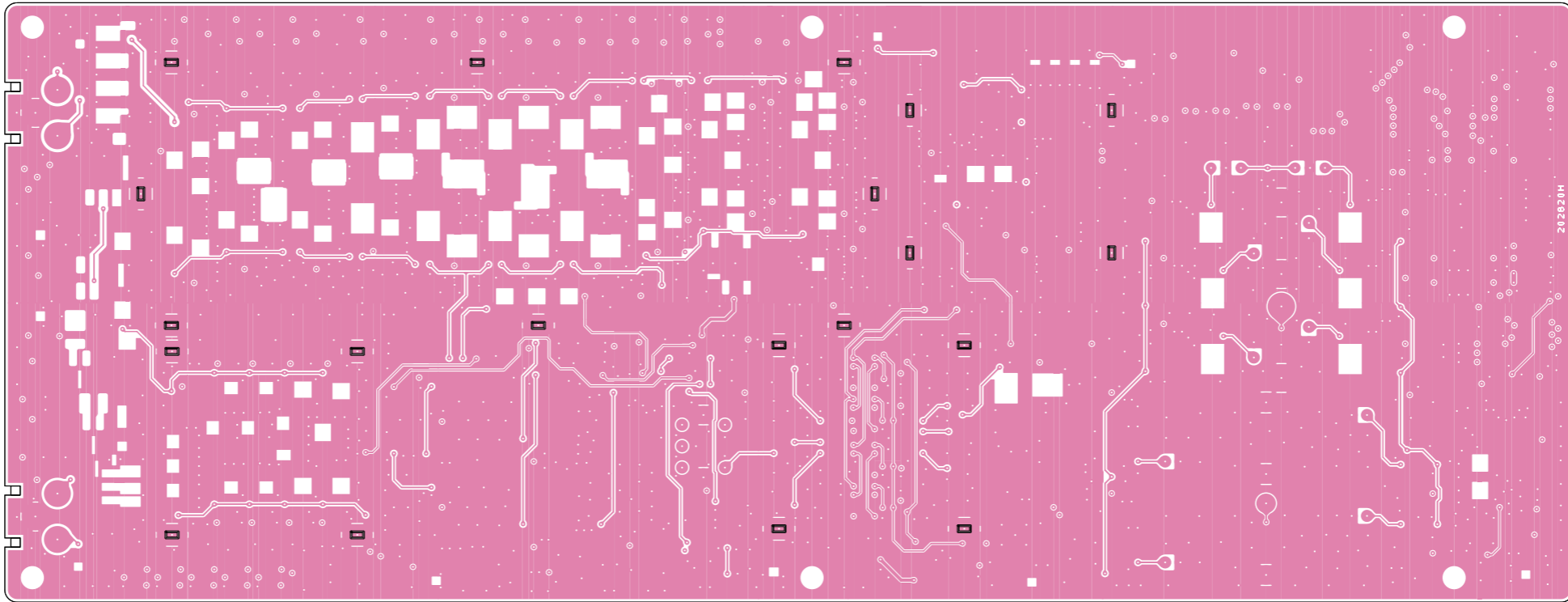
REF	DESCRIPTION	VALUE	V/W	TOL.	MFR'S DESIG	YAESU P/N	VERS.	LOT	SIDE	LAY ADR
R 2308	CHIP RES.	12k	1/16W	1%	RMC1/16SK123FTH	J24189490		1-	A	
R 2309	CHIP RES.	10k	1/16W	1%	RMC1/16SK103FTH	J24189489		1-	A	
R 2310	CHIP RES.	12k	1/16W	1%	RMC1/16SK123FTH	J24189490		1-	A	
R 2311	CHIP RES.	33k	1/16W	1%	RMC1/16SK333FTH	J24189494		1-	A	
R 2312	CHIP RES.	10k	1/16W	1%	RMC1/16SK103FTH	J24189489		1-	A	
R 2313	CHIP RES.	10k	1/16W	1%	RMC1/16SK103FTH	J24189489		1-	A	
R 2314	CHIP RES.	10k	1/16W	1%	RMC1/16SK103FTH	J24189489		1-	A	
R 2315	CHIP RES.	10k	1/16W	1%	RMC1/16SK103FTH	J24189489		1-	A	
R 2316	CHIP RES.	3.3k	1/16W	1%	RMC1/16SK332FTH	J24189518		1-	A	
R 2317	CHIP RES.	4.7k	1/16W	1%	RMC1/16SK472FTH	J24189488		1-	A	
R 2318	CHIP RES.	10k	1/16W	1%	RMC1/16SK103FTH	J24189489		1-	A	
R 2319	CHIP RES.	47k	1/16W	1%	RMC1/16SK473FTH	J24189525		1-	A	
R 2320	CHIP RES.	47k	1/16W	1%	RMC1/16SK473FTH	J24189525		1-	A	
R 2321	CHIP RES.	10k	1/16W	1%	RMC1/16SK103FTH	J24189489		1-	A	
R 2322	CHIP RES.	22	1/16W	5%	RMC1/16S 220JTH	J24189005		1-	A	
R 2324	CHIP RES.	1	1/16W	5%	RMC1/16S 1R0JTH	J24189319		1-	A	
R 2331	CHIP RES.	0	1/10W	5%	RMC1/10T 000J	J24205000		1-	A	
R 2343	CHIP RES.	0	1/10W	5%	RMC1/10T 000J	J24205000		1-	A	
RB1001	BLOCK RES.				RAC 104D332JCTH	J42900041		1-	A	
RB1002	BLOCK RES.				RAC 104D103JCTP	J42900024		1-	A	
RB1003	BLOCK RES.				RAC 104D103JCTP	J42900024		1-	A	
RB1004	BLOCK RES.				RAC 104D103JCTP	J42900024		1-	A	
RB1005	BLOCK RES.				RAC 104D103JCTP	J42900024		1-	A	
RB1006	BLOCK RES.				RAC 104D103JCTP	J42900024		1-	A	
RB1007	BLOCK RES.				RAC 104D103JCTP	J42900024		1-	A	
RB1008	BLOCK RES.				RAC 104D103JCTP	J42900024		1-	A	
RB1801	BLOCK RES.				RAC 104D680JCTH	J42900058		1-	A	
RB1802	BLOCK RES.				RAC 104D680JCTH	J42900058		1-	A	
RB1803	BLOCK RES.				RAC 104D680JCTH	J42900058		1-	A	
RB1804	BLOCK RES.				RAC 104D680JCTH	J42900058		1-	A	
RB1805	BLOCK RES.				RAC 104D680JCTH	J42900058		1-	A	
RB1806	BLOCK RES.				RAC 104D680JCTH	J42900058		1-	A	
RB2001	BLOCK RES.				RAC 104D332JCTH	J42900041		1-	A	
RB2002	BLOCK RES.				RAC 104D332JCTH	J42900041		1-	A	
RB2003	BLOCK RES.				RAC 104D332JCTH	J42900041		1-	A	
RB2004	BLOCK RES.				RAC 104D332JCTH	J42900041		1-	A	
RB2005	BLOCK RES.				RAC 104D332JCTH	J42900041		1-	A	
RB2006	BLOCK RES.				RAC 104D332JCTH	J42900041		1-	A	
S 1001	SLIDE SWITCH				SSSS820201	N6090107		1-	A	
SC1001	SHIELD CASE				(VCO)	RA6081400		1-	A	
SC1002	SHIELD CASE				(25X39)	RA6192300		1-	A	
SC2001	SHIELD CASE				(22X30)	RA6202000		1-	A	
T 1001	BALUN TRANSFORMERS				#458PT-1565	L0190273		1-	A	
T 1002	BALUN TRANSFORMERS				#458PT-1565	L0190273		1-	A	
T 1007	CHOKE COIL				DLP11SN900HL2L	L1691732		1-	A	
T 1008	CHOKE COIL				DLP11SN900HL2L	L1691732		1-	A	
T 1009	CHOKE COIL				DLP11SN900HL2L	L1691732		1-	A	
T 1010	CHOKE COIL				DLP11SN900HL2L	L1691732		1-	A	
T 1011	CHOKE COIL				DLP11SN900HL2L	L1691732		1-	A	
TP1097	CHECK TERMINAL				RCTCTE	Q5000103		1-	A	
X 1001	XTAL DSX321G	11.1MHz			DSX321G 11.100MHZ	H0103446		1-	A	
X 1002	XTAL	100MHz			SM-532B-100.000MHZ	H0103480		1-	A	
X 1003	TCXO	40MHz			DSA535SG-40.000MHZ	H9501950		1-	A	
X 1801	XTAL DSX321G	24MHz			DSX321G 24.000MHZ	H0103444		1-	A	
XF1001	SAW FILTER				NSVS679	H4900032		1-	A	

RX-1 Unit Circuit Diagram





side A



side B

RX-1 Unit

Parts List

REF	DESCRIPTION	VALUE	V/W	TOL.	MFR'S DESIG	YAESU P/N	VERS.	LOT	SIDE	LAY ADR
C 3005	CHIP CAP.	0.1uF	50V	X7R	GRM155R71H104KE14D	K22178872		1-	A	
C 3006	CHIP CAP.	0.1uF	50V	X7R	GRM155R71H104KE14D	K22178872		1-	A	
C 3007	CHIP CAP.	0.1uF	50V	X7R	GRM155R71H104KE14D	K22178872		1-	A	
C 3008	CHIP CAP.	0.1uF	50V	X7R	GRM155R71H104KE14D	K22178872		1-	A	
C 3009	CHIP CAP.	0.1uF	50V	X7R	GRM155R71H104KE14D	K22178872		1-	A	
C 3010	CHIP CAP.	0.1uF	50V	X7R	GRM155R71H104KE14D	K22178872		1-	A	
C 3011	CHIP CAP.	0.1uF	50V	X7R	GRM155R71H104KE14D	K22178872		1-	A	
C 3012	CHIP CAP.	0.1uF	50V	X7R	GRM155R71H104KE14D	K22178872		1-	A	
C 3013	CHIP CAP.	0.1uF	50V	X7R	GRM155R71H104KE14D	K22178872		1-	A	
C 3014	CHIP CAP.	0.1uF	50V	X7R	GRM155R71H104KE14D	K22178872		1-	A	
C 3015	CHIP CAP.	100pF	50V	CH	GRM1552C1H101JA01D	K22178236		1-	A	
C 3016	CHIP CAP.	0.0012uF	50V	C0G	GRM1555C1H122JA01D	K22179758		1-	A	
C 3017	CHIP CAP.	0.0015uF	50V	C0G	GRM1555C1H152JA01D	K22179760		1-	A	
C 3018	CHIP CAP.	0.1uF	50V	X7R	GRM155R71H104KE14D	K22178872		1-	A	
C 3019	CHIP CAP.	0.1uF	50V	X7R	GRM155R71H104KE14D	K22178872		1-	A	
C 3020	CHIP CAP.	0.01uF	50V	X7R	GRM155R71H103KA88D	K22178848		1-	A	
C 3021	CHIP CAP.	0.01uF	50V	X7R	GRM155R71H103KA88D	K22178848		1-	A	
C 3022	CHIP CAP.	0.1uF	50V	X7R	GRM155R71H104KE14D	K22178872		1-	A	
C 3023	CHIP CAP.	0.1uF	50V	X7R	GRM155R71H104KE14D	K22178872		1-	A	
C 3024	CHIP CAP.	0.1uF	50V	X7R	GRM155R71H104KE14D	K22178872		1-	A	
C 3025	CHIP CAP.	0.1uF	50V	X7R	GRM155R71H104KE14D	K22178872		1-	A	
C 3026	CHIP CAP.	0.1uF	50V	X7R	GRM155R71H104KE14D	K22178872		1-	A	
C 3027	CHIP CAP.	0.1uF	50V	X7R	GRM155R71H104KE14D	K22178872		1-	A	
C 3028	CHIP CAP.	56pF	50V	CH	GRM1552C1H560JA01D	K22178230		1-	A	
C 3029	CHIP CAP.	0.01uF	50V	X7R	GRM155R71H103KA88D	K22178848		1-	A	
C 3030	CHIP CAP.	22pF	50V	CH	GRM1552C1H220JA01D	K22178220		1-	A	
C 3031	CHIP CAP.	0.01uF	50V	X7R	GRM155R71H103KA88D	K22178848		1-	A	
C 3032	CHIP CAP.	0.0015uF	50V	C0G	GRM1555C1H152JA01D	K22179760		1-	A	
C 3033	CHIP CAP.	0.1uF	50V	X7R	GRM155R71H104KE14D	K22178872		1-	A	
C 3034	CHIP CAP.	0.1uF	50V	X7R	GRM155R71H104KE14D	K22178872		1-	A	
C 3035	CHIP CAP.	0.01uF	50V	X7R	GRM155R71H103KA88D	K22178848		1-	A	
C 3036	CHIP CAP.	0.01uF	50V	X7R	GRM155R71H103KA88D	K22178848		1-	A	
C 3037	CHIP CAP.	0.01uF	50V	X7R	GRM155R71H103KA88D	K22178848		1-	A	
C 3038	CHIP CAP.	0.01uF	50V	X7R	GRM155R71H103KA88D	K22178848		1-	A	
C 3039	CHIP CAP.	0.01uF	50V	X7R	GRM155R71H103KA88D	K22178848		1-	A	
C 3040	CHIP CAP.	0.01uF	50V	X7R	GRM155R71H103KA88D	K22178848		1-	A	
C 3042	CHIP CAP.	0.001uF	50V	B	GRM155B11H102KA01D	K22178809		1-	A	
C 3043	CHIP CAP.	22pF	50V	CH	GRM1552C1H220JA01D	K22178220		1-	A	
C 3044	CHIP CAP.	0.001uF	50V	B	GRM155B11H102KA01D	K22178809		1-	A	
C 3045	CHIP CAP.	0.001uF	50V	B	GRM155B11H102KA01D	K22178809		1-	A	
C 3047	CHIP CAP.	1uF	25V	X5R	GRM155R61E105KE11D	K22149010		1-	A	
C 3048	CHIP CAP.	0.001uF	50V	C0G	GRM1555C1H102JA01D	K22179756		1-	A	
C 3049	CHIP CAP.	1uF	25V	X5R	GRM155R61E105KE11D	K22149010		1-	A	
C 3050	CHIP CAP.	470pF	50V	C0G	GRM1555C1H471JA01D	K22179748		1-	A	
C 3051	CHIP CAP.	390pF	50V	C0G	GRM1555C1H391JA01D	K22179746		1-	A	
C 3052	CHIP CAP.	330pF	50V	C0G	GRM1555C1H331JA01D	K22179744		1-	A	
C 3053	CHIP CAP.	560pF	50V	C0G	GRM1555C1H561JA01D	K22179750		1-	A	
C 3054	CHIP CAP.	560pF	50V	C0G	GRM1555C1H561JA01D	K22179750		1-	A	
C 3055	CHIP CAP.	180pF	50V	CH	GRM1552C1H181JA01D	K22179711		1-	A	
C 3056	CHIP CAP.	0.0012uF	50V	C0G	GRM1555C1H122JA01D	K22179758		1-	A	
C 3057	CHIP CAP.	0.01uF	50V	X7R	GRM155R71H103KA88D	K22178848		1-	A	
C 3058	CHIP CAP.	82pF	50V	CH	GRM1552C1H820JA01D	K22178234		1-	A	
C 3059	CHIP CAP.	47pF	50V	CH	GRM1552C1H470JA01D	K22178228		1-	A	
C 3060	CHIP CAP.	47pF	50V	CH	GRM1552C1H470JA01D	K22178228		1-	A	
C 3061	CHIP CAP.	3pF	50V	CJ	GRM1553C1H3R0BA01D	K22178290		1-	A	
C 3062	CHIP CAP.	22pF	50V	CH	GRM1552C1H220JA01D	K22178220		1-	A	
C 3063	CHIP CAP.	68pF	50V	CH	GRM1552C1H680JA01D	K22178232		1-	A	
C 3064	CHIP CAP.	33pF	50V	CH	GRM1552C1H330JA01D	K22178224		1-	A	
C 3065	CHIP CAP.	0.1uF	50V	X7R	GRM155R71H104KE14D	K22178872		1-	A	
C 3066	CHIP CAP.	1.5pF	50V	CK	GRM1554C1H1R5CA01D	K22178203		1-	A	
C 3067	CHIP CAP.	15pF	50V	CH	GRM1552C1H150JA01D	K22178216		1-	A	
C 3068	CHIP CAP.	12pF	50V	CH	GRM1552C1H120JA01D	K22178214		1-	A	
C 3069	CHIP CAP.	12pF	50V	CH	GRM1552C1H120JA01D	K22178214		1-	A	
C 3070	CHIP CAP.	0.0012uF	50V	C0G	GRM1555C1H122JA01D	K22179758		1-	A	
C 3072	CHIP CAP.	0.0015uF	50V	C0G	GRM1555C1H152JA01D	K22179760		1-	A	
C 3073	CHIP CAP.	18pF	50V	CH	GRM1552C1H180JA01D	K22178218		1-	A	
C 3074	CHIP CAP.	220pF	50V	CH	GRM1552C1H221JA01D	K22179713		1-	A	
C 3075	CHIP CAP.	15pF	50V	CH	GRM1552C1H150JA01D	K22178216		1-	A	
C 3076	CHIP CAP.	120pF	50V	CH	GRM1552C1H121JA01D	K22178238		1-	A	
C 3077	CHIP CAP.	7pF	50V	CH	GRM1552C1H7R0DA01D	K22178209		1-	A	
C 3078	CHIP CAP.	68pF	50V	CH	GRM1552C1H680JA01D	K22178232		1-	A	
C 3079	CHIP CAP.	1pF	50V	CK	GRM1554C1H1R0CA01D	K22178202		1-	A	
C 3080	CHIP CAP.	47pF	50V	CH	GRM1552C1H470JA01D	K22178228		1-	A	
C 3081	CHIP CAP.	12pF	50V	CH	GRM1552C1H120JA01D	K22178214		1-	A	
C 3082	CHIP CAP.	47pF	50V	CH	GRM1552C1H470JA01D	K22178228		1-	A	

RX-1 Unit

Parts List

REF	DESCRIPTION	VALUE	V/W	TOL.	MFR'S DESIG	YAESU P/N	VERS.	LOT	SIDE	LAY ADR
C 3083	CHIP CAP.	2pF	50V	CK	GRM1554C1H2R0CA01D	K22178204		1-	A	
C 3084	CHIP CAP.	33pF	50V	CH	GRM1552C1H330JA01D	K22178224		1-	A	
C 3085	CHIP CAP.	2pF	50V	CK	GRM1554C1H2R0CA01D	K22178204		1-	A	
C 3086	CHIP CAP.	33pF	50V	CH	GRM1552C1H330JA01D	K22178224		1-	A	
C 3087	CHIP CAP.	0.01uF	50V	X7R	GRM155R71H103KA88D	K22178848		1-	A	
C 3088	CHIP CAP.	150pF	50V	CH	GRM1552C1H151JA01D	K22178240		1-	A	
C 3089	CHIP CAP.	120pF	50V	CH	GRM1552C1H121JA01D	K22178238		1-	A	
C 3090	CHIP CAP.	0.0012uF	50V	C0G	GRM1555C1H122JA01D	K22179758		1-	A	
C 3091	CHIP CAP.	68pF	50V	CH	GRM1552C1H680JA01D	K22178232		1-	A	
C 3092	CHIP CAP.	18pF	50V	CH	GRM1552C1H180JA01D	K22178218		1-	A	
C 3093	CHIP CAP.	0.001uF	50V	B	GRM155B11H102KA01D	K22178809		1-	A	
C 3094	CHIP CAP.	0.0015uF	50V	C0G	GRM1555C1H152JA01D	K22179760		1-	A	
C 3095	CHIP CAP.	1.5pF	50V	CK	GRM1554C1H1R5CA01D	K22178203		1-	A	
C 3096	CHIP CAP.	15pF	50V	CH	GRM1552C1H150JA01D	K22178216		1-	A	
C 3097	CHIP CAP.	12pF	50V	CH	GRM1552C1H120JA01D	K22178214		1-	A	
C 3098	CHIP CAP.	12pF	50V	CH	GRM1552C1H120JA01D	K22178214		1-	A	
C 3099	CHIP CAP.	0.0018uF	50V	C0G	GRM1555C1H182JA01D	K22179762		1-	A	
C 3100	CHIP CAP.	0.01uF	50V	X7R	GRM155R71H103KA88D	K22178848		1-	A	
C 3101	CHIP CAP.	0.0018uF	50V	C0G	GRM1555C1H182JA01D	K22179762		1-	A	
C 3102	CHIP CAP.	0.0012uF	50V	C0G	GRM1555C1H122JA01D	K22179758		1-	A	
C 3103	CHIP CAP.	680pF	50V	C0G	GRM1555C1H681JA01D	K22179752		1-	A	
C 3104	CHIP CAP.	680pF	50V	C0G	GRM1555C1H681JA01D	K22179752		1-	A	
C 3105	CHIP CAP.	0.0012uF	50V	C0G	GRM1555C1H122JA01D	K22179758		1-	A	
C 3106	CHIP CAP.	390pF	50V	C0G	GRM1555C1H391JA01D	K22179746		1-	A	
C 3107	CHIP CAP.	0.0012uF	50V	C0G	GRM1555C1H122JA01D	K22179758		1-	A	
C 3108	CHIP CAP.	0.0015uF	50V	C0G	GRM1555C1H152JA01D	K22179760		1-	A	
C 3109	CHIP CAP.	0.1uF	50V	X7R	GRM155R71H104KE14D	K22178872		1-	A	
C 3110	CHIP CAP.	150pF	50V	CH	GRM1552C1H151JA01D	K22178240		1-	A	
C 3111	CHIP CAP.	180pF	50V	CH	GRM1552C1H181JA01D	K22179711		1-	A	
C 3112	CHIP CAP.	270pF	50V	CH	GRM1552C1H271JA01D	K22179715		1-	A	
C 3113	CHIP CAP.	120pF	50V	CH	GRM1552C1H121JA01D	K22178238		1-	A	
C 3114	CHIP CAP.	68pF	50V	CH	GRM1552C1H680JA01D	K22178232		1-	A	
C 3115	CHIP CAP.	68pF	50V	CH	GRM1552C1H680JA01D	K22178232		1-	A	
C 3116	CHIP CAP.	330pF	50V	C0G	GRM1555C1H331JA01D	K22179744		1-	A	
C 3117	CHIP CAP.	100pF	50V	CH	GRM1552C1H101JA01D	K22178236		1-	A	
C 3118	CHIP CAP.	0.0012uF	50V	C0G	GRM1555C1H122JA01D	K22179758		1-	A	
C 3119	CHIP CAP.	270pF	50V	CH	GRM1552C1H271JA01D	K22179715		1-	A	
C 3120	CHIP CAP.	18pF	50V	CH	GRM1552C1H180JA01D	K22178218		1-	A	
C 3121	CHIP CAP.	220pF	50V	CH	GRM1552C1H221JA01D	K22179713		1-	A	
C 3122	CHIP CAP.	15pF	50V	CH	GRM1552C1H150JA01D	K22178216		1-	A	
C 3123	CHIP CAP.	120pF	50V	CH	GRM1552C1H121JA01D	K22178238		1-	A	
C 3124	CHIP CAP.	7pF	50V	CH	GRM1552C1H7R0DA01D	K22178209		1-	A	
C 3125	CHIP CAP.	68pF	50V	CH	GRM1552C1H680JA01D	K22178232		1-	A	
C 3126	CHIP CAP.	1pF	50V	CK	GRM1554C1H1R0CA01D	K22178202		1-	A	
C 3127	CHIP CAP.	47pF	50V	CH	GRM1552C1H470JA01D	K22178228		1-	A	
C 3128	CHIP CAP.	12pF	50V	CH	GRM1552C1H120JA01D	K22178214		1-	A	
C 3129	CHIP CAP.	47pF	50V	CH	GRM1552C1H470JA01D	K22178228		1-	A	
C 3130	CHIP CAP.	2pF	50V	CK	GRM1554C1H2R0CA01D	K22178204		1-	A	
C 3131	CHIP CAP.	33pF	50V	CH	GRM1552C1H330JA01D	K22178224		1-	A	
C 3132	CHIP CAP.	2pF	50V	CK	GRM1554C1H2R0CA01D	K22178204		1-	A	
C 3133	CHIP CAP.	33pF	50V	CH	GRM1552C1H330JA01D	K22178224		1-	A	
C 3134	CHIP CAP.	0.01uF	50V	X7R	GRM155R71H103KA88D	K22178848		1-	A	
C 3136	CHIP CAP.	0.0015uF	50V	C0G	GRM1555C1H152JA01D	K22179760		1-	A	
C 3138	CHIP CAP.	22pF	50V	CH	GRM1552C1H220JA01D	K22178220		1-	A	
C 3139	CHIP CAP.	0.1uF	50V	X7R	GRM155R71H104KE14D	K22178872		1-	A	
C 3140	CHIP CAP.	0.0015uF	50V	C0G	GRM1555C1H152JA01D	K22179760		1-	A	
C 3141	CHIP CAP.	10uF	25V	B	GRM188R61E106MA73D	K22144818		1-	A	
C 3142	CHIP CAP.	56pF	50V	CH	GRM1552C1H560JA01D	K22178230		1-	A	
C 3143	CHIP CAP.	22pF	50V	CH	GRM1552C1H220JA01D	K22178220		1-	A	
C 3144	CHIP CAP.	0.01uF	50V	X7R	GRM155R71H103KA88D	K22178848		1-	A	
C 3145	CHIP CAP.	0.001uF	50V	B	GRM155B11H102KA01D	K22178809		1-	A	
C 3146	CHIP CAP.	0.001uF	50V	C0G	GRM1555C1H102JA01D	K22179756		1-	A	
C 3147	CHIP CAP.	82pF	50V	CH	GRM1552C1H820JA01D	K22178234		1-	A	
C 3148	CHIP CAP.	47pF	50V	CH	GRM1552C1H470JA01D	K22178228		1-	A	
C 3149	CHIP CAP.	47pF	50V	CH	GRM1552C1H470JA01D	K22178228		1-	A	
C 3150	CHIP CAP.	3pF	50V	CJ	GRM1553C1H3R0BA01D	K22178290		1-	A	
C 3151	CHIP CAP.	22pF	50V	CH	GRM1552C1H220JA01D	K22178220		1-	A	
C 3152	CHIP CAP.	68pF	50V	CH	GRM1552C1H680JA01D	K22178232		1-	A	
C 3153	CHIP CAP.	33pF	50V	CH	GRM1552C1H330JA01D	K22178224		1-	A	
C 3154	CHIP CAP.	0.01uF	50V	X7R	GRM155R71H103KA88D	K22178848		1-	A	
C 3155	CHIP CAP.	0.001uF	50V	C0G	GRM1555C1H102JA01D	K22179756		1-	A	
C 3157	CHIP CAP.	1uF	25V	X5R	GRM155R61E105KE11D	K22149010		1-	A	
C 3158	CHIP CAP.	0.001uF	50V	C0G	GRM1555C1H102JA01D	K22179756		1-	A	
C 3159	CHIP CAP.	470pF	50V	C0G	GRM1555C1H471JA01D	K22179748		1-	A	
C 3160	CHIP CAP.	390pF	50V	C0G	GRM1555C1H391JA01D	K22179746		1-	A	

RX-1 Unit

Parts List

REF	DESCRIPTION	VALUE	V/W	TOL.	MFR'S DESIG	YAESU P/N	VERS.	LOT	SIDE	LAY ADR
C 3161	CHIP CAP.	330pF	50V	C0G	GRM1555C1H331JA01D	K22179744		1-	A	
C 3162	CHIP CAP.	560pF	50V	C0G	GRM1555C1H561JA01D	K22179750		1-	A	
C 3163	CHIP CAP.	560pF	50V	C0G	GRM1555C1H561JA01D	K22179750		1-	A	
C 3164	CHIP CAP.	180pF	50V	CH	GRM1552C1H181JA01D	K22179711		1-	A	
C 3165	CHIP CAP.	0.1uF	50V	X7R	GRM155R71H104KE14D	K22178872		1-	A	
C 3166	CHIP CAP.	0.01uF	50V	X7R	GRM155R71H103KA88D	K22178848		1-	A	
C 3167	CHIP CAP.	5pF	50V	CH	GRM1552C1H5R0CA01D	K22178207		1-	A	
C 3168	CHIP CAP.	0.0015uF	50V	C0G	GRM1555C1H152JA01D	K22179760		1-	A	
C 3169	CHIP CAP.	0.1uF	50V	X7R	GRM155R71H104KE14D	K22178872		1-	A	
C 3170	CHIP CAP.	1uF	25V	X5R	GRM155R61E105KE11D	K22149010		1-	A	
C 3171	CHIP CAP.	0.01uF	50V	X7R	GRM155R71H103KA88D	K22178848		1-	A	
C 3172	CHIP CAP.	0.01uF	50V	X7R	GRM155R71H103KA88D	K22178848		1-	A	
C 3173	CHIP CAP.	0.01uF	50V	X7R	GRM155R71H103KA88D	K22178848		1-	A	
C 3174	CHIP CAP.	0.01uF	50V	X7R	GRM155R71H103KA88D	K22178848		1-	A	
C 3175	CHIP CAP.	0.01uF	50V	X7R	GRM155R71H103KA88D	K22178848		1-	A	
C 3176	CHIP CAP.	0.01uF	50V	X7R	GRM155R71H103KA88D	K22178848		1-	A	
C 3177	CHIP CAP.	0.01uF	50V	X7R	GRM155R71H103KA88D	K22178848		1-	A	
C 3178	CHIP CAP.	0.001uF	50V	B	GRM155B11H102KA01D	K22178809		1-	A	
C 3179	CHIP CAP.	0.01uF	50V	X7R	GRM155R71H103KA88D	K22178848		1-	A	
C 3180	CHIP CAP.	0.1uF	50V	X7R	GRM155R71H104KE14D	K22178872		1-	A	
C 3181	CHIP CAP.	0.1uF	50V	X7R	GRM155R71H104KE14D	K22178872		1-	A	
C 3182	CHIP CAP.	0.1uF	50V	X7R	GRM155R71H104KE14D	K22178872		1-	A	
C 3183	CHIP CAP.	0.1uF	50V	X7R	GRM155R71H104KE14D	K22178872		1-	A	
C 3184	CHIP CAP.	0.1uF	50V	X7R	GRM155R71H104KE14D	K22178872		1-	A	
C 3185	CHIP CAP.	0.1uF	50V	X7R	GRM155R71H104KE14D	K22178872		1-	A	
C 3186	CHIP CAP.	0.1uF	50V	X7R	GRM155R71H104KE14D	K22178872		1-	A	
C 3187	CHIP CAP.	10uF	25V	B	GRM188R61E106MA73D	K22144818		1-	A	
C 3188	CHIP CAP.	0.01uF	50V	X7R	GRM155R71H103KA88D	K22178848		1-	A	
C 3189	CHIP CAP.	0.01uF	50V	X7R	GRM155R71H103KA88D	K22178848		1-	A	
C 3190	CHIP CAP.	9pF	50V	CH	GRM1552C1H9R0DA01D	K22178211		1-	A	
C 3191	CHIP CAP.	0.01uF	50V	X7R	GRM155R71H103KA88D	K22178848		1-	A	
C 3192	CHIP CAP.	0.01uF	50V	X7R	GRM155R71H103KA88D	K22178848		1-	A	
C 3193	CHIP CAP.	0.01uF	50V	X7R	GRM155R71H103KA88D	K22178848		1-	A	
C 3194	CHIP CAP.	0.01uF	50V	X7R	GRM155R71H103KA88D	K22178848		1-	A	
C 3195	CHIP CAP.	0.01uF	50V	X7R	GRM155R71H103KA88D	K22178848		1-	A	
C 3196	CHIP CAP.	0.01uF	50V	X7R	GRM155R71H103KA88D	K22178848		1-	A	
C 3197	CHIP CAP.	330pF	50V	C0G	GRM1555C1H331JA01D	K22179744		1-	A	
C 3198	CHIP CAP.	0.001uF	50V	C0G	GRM1555C1H102JA01D	K22179756		1-	A	
C 3199	CHIP CAP.	10uF	25V	B	GRM188R61E106MA73D	K22144818		1-	A	
C 3200	CHIP CAP.	0.01uF	50V	X7R	GRM155R71H103KA88D	K22178848		1-	A	
C 3201	CHIP CAP.	0.01uF	50V	X7R	GRM155R71H103KA88D	K22178848		1-	A	
C 3202	CHIP CAP.	10uF	25V	B	GRM188R61E106MA73D	K22144818		1-	A	
C 3203	CHIP CAP.	10uF	25V	B	GRM188R61E106MA73D	K22144818		1-	A	
C 3204	CHIP CAP.	10uF	25V	B	GRM188R61E106MA73D	K22144818		1-	A	
C 3205	CHIP CAP.	10uF	25V	B	GRM188R61E106MA73D	K22144818		1-	A	
C 3206	CHIP CAP.	10uF	25V	B	GRM188R61E106MA73D	K22144818		1-	A	
C 3207	CHIP CAP.	0.1uF	50V	X7R	GRM155R71H104KE14D	K22178872		1-	A	
C 3208	CHIP CAP.	0.01uF	50V	X7R	GRM155R71H103KA88D	K22178848		1-	A	
C 3209	CHIP CAP.	10uF	25V	B	GRM188R61E106MA73D	K22144818		1-	A	
C 3210	CHIP CAP.	10uF	25V	B	GRM188R61E106MA73D	K22144818		1-	A	
C 3211	CHIP CAP.	0.1uF	50V	X7R	GRM155R71H104KE14D	K22178872		1-	A	
C 3212	CHIP CAP.	0.001uF	50V	B	GRM155B11H102KA01D	K22178809		1-	A	
C 3213	CHIP CAP.	0.01uF	50V	X7R	GRM155R71H103KA88D	K22178848		1-	A	
C 3214	CHIP CAP.	0.1uF	50V	X7R	GRM155R71H104KE14D	K22178872		1-	A	
C 3215	CHIP CAP.	0.1uF	50V	X7R	GRM155R71H104KE14D	K22178872		1-	A	
C 3216	CHIP CAP.	0.001uF	50V	B	GRM155B11H102KA01D	K22178809		1-	A	
C 3217	CHIP CAP.	0.01uF	50V	X7R	GRM155R71H103KA88D	K22178848		1-	A	
C 3218	CHIP CAP.	10uF	25V	B	GRM188R61E106MA73D	K22144818		1-	A	
C 3219	CHIP CAP.	0.01uF	50V	X7R	GRM155R71H103KA88D	K22178848		1-	A	
C 3220	CHIP CAP.	1uF	25V	X5R	GRM155R61E105KE11D	K22149010		1-	A	
C 3221	CHIP CAP.	0.1uF	50V	X7R	GRM155R71H104KE14D	K22178872		1-	A	
C 3222	CHIP CAP.	0.01uF	50V	X7R	GRM155R71H103KA88D	K22178848		1-	A	
C 3223	CHIP CAP.	0.001uF	50V	B	GRM155B11H102KA01D	K22178809		1-	A	
C 3224	CHIP CAP.	0.01uF	50V	X7R	GRM155R71H103KA88D	K22178848		1-	A	
C 3225	CHIP CAP.	0.1uF	50V	X7R	GRM155R71H104KE14D	K22178872		1-	A	
C 3226	CHIP CAP.	100pF	50V	CH	GRM1552C1H101JA01D	K22178236		1-	A	
C 3227	CHIP CAP.	0.01uF	50V	X7R	GRM155R71H103KA88D	K22178848		1-	A	
C 3228	CHIP CAP.	0.001uF	50V	B	GRM155B11H102KA01D	K22178809		1-	A	
C 3229	CHIP CAP.	0.001uF	50V	B	GRM155B11H102KA01D	K22178809		1-	A	
C 3230	CHIP CAP.	150pF	50V	CH	GRM1552C1H151JA01D	K22178240		1-	A	
C 3231	CHIP CAP.	0.01uF	50V	X7R	GRM155R71H103KA88D	K22178848		1-	A	
C 3232	CHIP CAP.	0.01uF	50V	X7R	GRM155R71H103KA88D	K22178848		1-	A	
C 3234	CHIP CAP.	0.1uF	50V	X7R	GRM155R71H104KE14D	K22178872		1-	A	
C 3235	CHIP CAP.	0.01uF	50V	X7R	GRM155R71H103KA88D	K22178848		1-	A	
C 3236	CHIP CAP.	0.1uF	50V	X7R	GRM155R71H104KE14D	K22178872		1-	A	

RX-1 Unit

Parts List

REF	DESCRIPTION	VALUE	V/W	TOL.	MFR'S DESIG	YAESU P/N	VERS.	LOT	SIDE	LAY ADR
C 3237	CHIP CAP.	0.001uF	50V	B	GRM155B11H102KA01D	K22178809		1-	A	
C 3238	CHIP CAP.	1uF	25V	X5R	GRM155R61E105KE11D	K22149010		1-	A	
C 3239	CHIP CAP.	0.01uF	50V	X7R	GRM155R71H103KA88D	K22178848		1-	A	
C 3240	CHIP CAP.	100pF	50V	CH	GRM1552C1H101JA01D	K22178236		1-	A	
C 3241	CHIP CAP.	0.1uF	50V	X7R	GRM155R71H104KE14D	K22178872		1-	A	
C 3242	CHIP CAP.	0.001uF	50V	B	GRM155B11H102KA01D	K22178809		1-	A	
C 3243	CHIP CAP.	1uF	25V	X5R	GRM155R61E105KE11D	K22149010		1-	A	
C 3244	CHIP CAP.	0.01uF	50V	X7R	GRM155R71H103KA88D	K22178848		1-	A	
C 3245	CHIP CAP.	10uF	25V	B	GRM188R61E106MA73D	K22144818		1-	A	
C 3246	CHIP CAP.	0.1uF	50V	X7R	GRM155R71H104KE14D	K22178872		1-	A	
C 3247	CHIP CAP.	0.01uF	50V	X7R	GRM155R71H103KA88D	K22178848		1-	A	
C 3248	CHIP CAP.	0.1uF	50V	X7R	GRM155R71H104KE14D	K22178872		1-	A	
C 3249	CHIP CAP.	0.1uF	50V	X7R	GRM155R71H104KE14D	K22178872		1-	A	
C 3250	CHIP CAP.	0.1uF	50V	X7R	GRM155R71H104KE14D	K22178872		1-	A	
C 3251	CHIP CAP.	0.1uF	50V	X7R	GRM155R71H104KE14D	K22178872		1-	A	
C 3252	CHIP CAP.	1uF	25V	X5R	GRM155R61E105KE11D	K22149010		1-	A	
C 3253	CHIP CAP.	0.1uF	50V	X7R	GRM155R71H104KE14D	K22178872		1-	A	
C 3254	CHIP CAP.	0.1uF	50V	X7R	GRM155R71H104KE14D	K22178872		1-	A	
C 3255	CHIP CAP.	10uF	25V	B	GRM188R61E106MA73D	K22144818		1-	A	
C 3256	CHIP CAP.	0.1uF	50V	X7R	GRM155R71H104KE14D	K22178872		1-	A	
C 3257	CHIP CAP.	0.01uF	50V	X7R	GRM155R71H103KA88D	K22178848		1-	A	
C 3258	CHIP CAP.	0.01uF	50V	X7R	GRM155R71H103KA88D	K22178848		1-	A	
C 3259	CHIP CAP.	0.01uF	50V	X7R	GRM155R71H103KA88D	K22178848		1-	A	
C 3260	CHIP CAP.	0.01uF	50V	X7R	GRM155R71H103KA88D	K22178848		1-	A	
C 3261	CHIP CAP.	0.01uF	50V	X7R	GRM155R71H103KA88D	K22178848		1-	A	
C 3262	CHIP CAP.	0.001uF	50V	B	GRM155B11H102KA01D	K22178809		1-	A	
C 3263	CHIP CAP.	1uF	25V	X5R	GRM155R61E105KE11D	K22149010		1-	A	
C 3264	CHIP CAP.	0.001uF	50V	B	GRM155B11H102KA01D	K22178809		1-	A	
C 3265	CHIP CAP.	0.1uF	50V	X7R	GRM155R71H104KE14D	K22178872		1-	A	
C 3266	CHIP CAP.	0.1uF	50V	X7R	GRM155R71H104KE14D	K22178872		1-	A	
C 3267	CHIP CAP.	0.1uF	50V	X7R	GRM155R71H104KE14D	K22178872		1-	A	
C 3268	CHIP CAP.	0.1uF	50V	X7R	GRM155R71H104KE14D	K22178872		1-	A	
C 3269	CHIP CAP.	0.01uF	50V	X7R	GRM155R71H103KA88D	K22178848		1-	A	
C 3270	CHIP CAP.	0.01uF	50V	X7R	GRM155R71H103KA88D	K22178848		1-	A	
C 3271	CHIP CAP.	0.01uF	50V	X7R	GRM155R71H103KA88D	K22178848		1-	A	
C 3272	CHIP CAP.	1uF	25V	X5R	GRM155R61E105KE11D	K22149010		1-	A	
C 3273	CHIP CAP.	1uF	25V	X5R	GRM155R61E105KE11D	K22149010		1-	A	
C 3274	CHIP CAP.	1uF	25V	X5R	GRM155R61E105KE11D	K22149010		1-	A	
C 3275	CHIP CAP.	0.001uF	50V	B	GRM155B11H102KA01D	K22178809		1-	A	
C 3276	CHIP CAP.	0.1uF	50V	X7R	GRM155R71H104KE14D	K22178872		1-	A	
C 3277	CHIP CAP.	0.1uF	50V	X7R	GRM155R71H104KE14D	K22178872		1-	A	
C 3278	CHIP CAP.	1uF	25V	X5R	GRM155R61E105KE11D	K22149010		1-	A	
C 3279	CHIP CAP.	0.1uF	50V	X7R	GRM155R71H104KE14D	K22178872		1-	A	
C 3280	CHIP CAP.	0.01uF	50V	X7R	GRM155R71H103KA88D	K22178848		1-	A	
C 3281	CHIP CAP.	0.001uF	50V	C0G	GRM1555C1H102JA01D	K22179756		1-	A	
C 3282	CHIP CAP.	0.001uF	50V	C0G	GRM1555C1H102JA01D	K22179756		1-	A	
C 3283	CHIP CAP.	820pF	50V	C0G	GRM1555C1H821JA01D	K22179754		1-	A	
C 3284	CHIP CAP.	100pF	50V	CH	GRM1552C1H101JA01D	K22178236		1-	A	
C 3285	CHIP CAP.	10uF	25V	B	GRM188R61E106MA73D	K22144818		1-	A	
C 3286	CHIP CAP.	1uF	25V	X5R	GRM155R61E105KE11D	K22149010		1-	A	
C 3287	CHIP CAP.	0.1uF	50V	X7R	GRM155R71H104KE14D	K22178872		1-	A	
C 3288	CHIP CAP.	1uF	25V	X5R	GRM155R61E105KE11D	K22149010		1-	A	
C 3289	CHIP CAP.	100pF	50V	CH	GRM1552C1H101JA01D	K22178236		1-	A	
C 3290	CHIP CAP.	150pF	50V	CH	GRM1552C1H151JA01D	K22178240		1-	A	
C 3291	CHIP CAP.	18pF	50V	CH	GRM1552C1H180JA01D	K22178218		1-	A	
C 3293	CHIP CAP.	0.1uF	50V	X7R	GRM155R71H104KE14D	K22178872		1-	A	
C 3294	CHIP CAP.	0.01uF	50V	X7R	GRM155R71H103KA88D	K22178848		1-	A	
C 3295	CHIP CAP.	0.0018uF	50V	C0G	GRM1555C1H182JA01D	K22179762		1-	A	
C 3296	CHIP CAP.	0.01uF	50V	X7R	GRM155R71H103KA88D	K22178848		1-	A	
C 3297	CHIP CAP.	0.001uF	50V	B	GRM155B11H102KA01D	K22178809		1-	A	
C 3298	CHIP CAP.	220pF	50V	CH	GRM1552C1H221JA01D	K22179713		1-	A	
C 3299	CHIP CAP.	15pF	50V	CH	GRM1552C1H150JA01D	K22178216		1-	A	
C 3300	CHIP CAP.	0.001uF	50V	B	GRM155B11H102KA01D	K22178809		1-	A	
C 3303	CHIP CAP.	0.001uF	50V	C0G	GRM1555C1H102JA01D	K22179756		1-	A	
C 3304	CHIP CAP.	0.0047uF	50V	B	GRM155B11H472KA01D	K22178838		1-	A	
C 3305	CHIP CAP.	470pF	50V	C0G	GRM1555C1H471JA01D	K22179748		1-	A	
C 3306	CHIP CAP.	82pF	50V	CH	GRM1552C1H820JA01D	K22178234		1-	A	
C 3307	CHIP CAP.	27pF	50V	CH	GRM1552C1H270JA01D	K22178222		1-	A	
C 3308	CHIP CAP.	220pF	50V	CH	GRM1552C1H221JA01D	K22179713		1-	A	
C 3310	CHIP CAP.	33pF	50V	CH	GRM1552C1H330JA01D	K22178224		1-	A	
C 3311	CHIP CAP.	0.0082uF	50V	X7R	GRM155R71H822KA88D	K22178846		1-	A	
C 3312	CHIP CAP.	56pF	50V	CH	GRM1552C1H560JA01D	K22178230		1-	A	
C 3315	CHIP CAP.	6pF	50V	CH	GRM1552C1H6R0DA01D	K22178208		1-	A	
C 3316	CHIP CAP.	18pF	50V	CH	GRM1552C1H180JA01D	K22178218		1-	A	
C 3318	CHIP CAP.	100pF	50V	CH	GRM1552C1H101JA01D	K22178236		1-	A	

RX-1 Unit Parts List

REF	DESCRIPTION	VALUE	V/W	TOL.	MFR'S DESIG	YAESU P/N	VERS.	LOT	SIDE	LAY ADR
C 3319	CHIP CAP.	150pF	50V	CH	GRM1552C1H151JA01D	K22178240		1-	A	
C 3320	CHIP CAP.	820pF	50V	C0G	GRM1555C1H821JA01D	K22179754		1-	A	
C 3321	CHIP CAP.	100pF	50V	CH	GRM1552C1H101JA01D	K22178236		1-	A	
C 3322	CHIP CAP.	56pF	50V	CH	GRM1552C1H560JA01D	K22178230		1-	A	
C 3323	CHIP CAP.	0.001uF	50V	C0G	GRM1555C1H102JA01D	K22179756		1-	A	
C 3324	CHIP CAP.	0.001uF	50V	C0G	GRM1555C1H102JA01D	K22179756		1-	A	
C 3326	CHIP CAP.	0.0082uF	50V	X7R	GRM155R71H822KA88D	K22178846		1-	A	
C 3327	CHIP CAP.	0.001uF	50V	B	GRM155B11H102KA01D	K22178809		1-	A	
C 3328	CHIP CAP.	6pF	50V	CH	GRM1552C1H6R0DA01D	K22178208		1-	A	
C 3329	CHIP CAP.	1uF	25V	X5R	GRM155R61E105KE11D	K22149010		1-	A	
C 3330	CHIP CAP.	1uF	25V	X5R	GRM155R61E105KE11D	K22149010		1-	A	
C 3331	CHIP CAP.	1uF	25V	X5R	GRM155R61E105KE11D	K22149010		1-	A	
C 3332	CHIP CAP.	2pF	50V	CK	GRM1554C1H2R0CA01D	K22178204		1-	A	
C 3334	CHIP CAP.	0.1uF	50V	X7R	GRM155R71H104KE14D	K22178872		1-	A	
C 3335	CHIP CAP.	0.1uF	50V	X7R	GRM155R71H104KE14D	K22178872		1-	A	
C 3336	CHIP CAP.	0.1uF	50V	X7R	GRM155R71H104KE14D	K22178872		1-	A	
C 3337	CHIP CAP.	0.1uF	50V	X7R	GRM155R71H104KE14D	K22178872		1-	A	
C 3338	CHIP CAP.	15pF	50V	CH	GRM1552C1H150JA01D	K22178216		1-	A	
C 3339	CHIP CAP.	0.01uF	50V	X7R	GRM155R71H103KA88D	K22178848		1-	A	
C 3340	CHIP CAP.	0.01uF	50V	X7R	GRM155R71H103KA88D	K22178848		1-	A	
C 3341	CHIP CAP.	0.01uF	50V	X7R	GRM155R71H103KA88D	K22178848		1-	A	
C 3342	CHIP CAP.	0.01uF	50V	X7R	GRM155R71H103KA88D	K22178848		1-	A	
C 3344	CHIP CAP.	220pF	50V	CH	GRM1552C1H221JA01D	K22179713		1-	A	
C 3345	CHIP CAP.	0.0018uF	50V	C0G	GRM1555C1H182JA01D	K22179762		1-	A	
C 3346	CHIP CAP.	0.01uF	50V	X7R	GRM155R71H103KA88D	K22178848		1-	A	
C 3347	CHIP CAP.	0.01uF	50V	X7R	GRM155R71H103KA88D	K22178848		1-	A	
C 3348	CHIP CAP.	0.01uF	50V	X7R	GRM155R71H103KA88D	K22178848		1-	A	
C 3349	CHIP CAP.	0.01uF	50V	X7R	GRM155R71H103KA88D	K22178848		1-	A	
C 3350	CHIP CAP.	10uF	25V	B	GRM188R61E106MA73D	K22144818		1-	A	
C 3352	CHIP CAP.	10uF	25V	B	GRM188R61E106MA73D	K22144818		1-	A	
C 3353	CHIP CAP.	10uF	25V	B	GRM188R61E106MA73D	K22144818		1-	A	
C 3354	CHIP CAP.	10uF	25V	B	GRM188R61E106MA73D	K22144818		1-	A	
C 3356	CHIP CAP.	5pF	50V	CH	GRM1552C1H5R0CA01D	K22178207		1-	A	
C 3357	CHIP CAP.	0.1uF	50V	X7R	GRM155R71H104KE14D	K22178872		1-	A	
C 3359	CHIP CAP.	0.1uF	50V	X7R	GRM155R71H104KE14D	K22178872		1-	A	
C 3360	CHIP CAP.	1pF	50V	CK	GRM1554C1H1R0CA01D	K22178202		1-	A	
C 3361	CHIP CAP.	0.1uF	50V	X7R	GRM155R71H104KE14D	K22178872		1-	A	
C 3362	CHIP CAP.	0.01uF	50V	X7R	GRM155R71H103KA88D	K22178848		1-	A	
C 3363	CHIP CAP.	0.1uF	50V	X7R	GRM155R71H104KE14D	K22178872		1-	A	
C 3364	CHIP CAP.	0.01uF	50V	X7R	GRM155R71H103KA88D	K22178848		1-	A	
C 3365	CHIP CAP.	0.1uF	50V	X7R	GRM155R71H104KE14D	K22178872		1-	A	
C 3366	CHIP CAP.	0.01uF	50V	X7R	GRM155R71H103KA88D	K22178848		1-	A	
C 3368	CHIP CAP.	0.1uF	50V	X7R	GRM155R71H104KE14D	K22178872		1-	A	
C 3369	CHIP CAP.	0.1uF	50V	X7R	GRM155R71H104KE14D	K22178872		1-	A	
C 3371	CHIP CAP.	0.001uF	50V	B	GRM155B11H102KA01D	K22178809		1-	A	
C 3372	CHIP CAP.	0.01uF	50V	X7R	GRM155R71H103KA88D	K22178848		1-	A	
C 3373	CHIP CAP.	0.1uF	50V	X7R	GRM155R71H104KE14D	K22178872		1-	A	
C 3374	CHIP CAP.	5pF	50V	CH	GRM1552C1H5R0CA01D	K22178207		1-	A	
C 3375	CHIP CAP.	0.01uF	50V	X7R	GRM155R71H103KA88D	K22178848		1-	A	
C 3376	CHIP CAP.	0.1uF	50V	X7R	GRM155R71H104KE14D	K22178872		1-	A	
C 3378	CHIP CAP.	0.1uF	50V	X7R	GRM155R71H104KE14D	K22178872		1-	A	
C 3379	CHIP CAP.	0.1uF	50V	X7R	GRM155R71H104KE14D	K22178872		1-	A	
C 3380	CHIP CAP.	0.1uF	50V	X7R	GRM155R71H104KE14D	K22178872		1-	A	
C 3381	CHIP CAP.	0.1uF	50V	X7R	GRM155R71H104KE14D	K22178872		1-	A	
C 3382	CHIP CAP.	0.1uF	50V	X7R	GRM155R71H104KE14D	K22178872		1-	A	
C 3383	CHIP CAP.	0.001uF	50V	B	GRM155B11H102KA01D	K22178809		1-	A	
C 3384	CHIP CAP.	0.001uF	50V	B	GRM155B11H102KA01D	K22178809		1-	A	
C 3385	CHIP CAP.	9pF	50V	CH	GRM1552C1H9R0DA01D	K22178211		1-	A	
C 3386	CHIP CAP.	0.1uF	50V	X7R	GRM155R71H104KE14D	K22178872		1-	A	
C 3387	CHIP CAP.	0.01uF	50V	X7R	GRM155R71H103KA88D	K22178848		1-	A	
C 3388	CHIP CAP.	0.01uF	50V	X7R	GRM155R71H103KA88D	K22178848		1-	A	
C 3389	CHIP CAP.	0.001uF	50V	C0G	GRM1555C1H102JA01D	K22179756		1-	A	
C 3390	CHIP CAP.	0.001uF	50V	C0G	GRM1555C1H102JA01D	K22179756		1-	A	
C 3391	CHIP CAP.	0.001uF	50V	C0G	GRM1555C1H102JA01D	K22179756		1-	A	
C 3392	CHIP CAP.	0.1uF	50V	X7R	GRM155R71H104KE14D	K22178872		1-	A	
C 3393	CHIP TA.CAP.	10uF	16V		TMCMA1C106MTRF	K78120077		1-	A	
C 3394	CHIP CAP.	0.001uF	50V	B	GRM155B11H102KA01D	K22178809		1-	A	
C 3395	CHIP CAP.	0.001uF	50V	B	GRM155B11H102KA01D	K22178809		1-	A	
C 3396	CHIP CAP.	0.01uF	50V	X7R	GRM155R71H103KA88D	K22178848		1-	A	
C 3397	CHIP CAP.	0.1uF	50V	X7R	GRM155R71H104KE14D	K22178872		1-	A	
C 3398	CHIP CAP.	0.1uF	50V	X7R	GRM155R71H104KE14D	K22178872		1-	A	
C 3400	CHIP CAP.	0.1uF	50V	X7R	GRM155R71H104KE14D	K22178872		1-	A	
C 3401	CHIP CAP.	47pF	50V	CH	GRM1552C1H470JA01D	K22178228		1-	A	
C 3402	CHIP CAP.	2pF	50V	CK	GRM1554C1H2R0CA01D	K22178204		1-	A	
C 3403	CHIP CAP.	47pF	50V	CH	GRM1552C1H470JA01D	K22178228		1-	A	

RX-1 Unit

Parts List

REF	DESCRIPTION	VALUE	V/W	TOL.	MFR'S DESIG	YAESU P/N	VERS.	LOT	SIDE	LAY ADR
C 3404	CHIP CAP.	0.1uF	50V	X7R	GRM155R71H104KE14D	K22178872		1-	A	
C 3405	CHIP CAP.	0.01uF	50V	X7R	GRM155R71H103KA88D	K22178848		1-	A	
C 3406	CHIP CAP.	8pF	50V	CH	GRM1552C1H8R0DA01D	K22178210		1-	A	
C 3407	CHIP CAP.	0.001uF	50V	B	GRM155B11H102KA01D	K22178809		1-	A	
C 3408	CHIP CAP.	0.001uF	50V	B	GRM155B11H102KA01D	K22178809		1-	A	
C 3409	CHIP CAP.	0.001uF	50V	B	GRM155B11H102KA01D	K22178809		1-	A	
C 3410	CHIP CAP.	0.001uF	50V	B	GRM155B11H102KA01D	K22178809		1-	A	
C 3411	CHIP CAP.	0.01uF	50V	X7R	GRM155R71H103KA88D	K22178848		1-	A	
C 3412	CHIP CAP.	0.1uF	50V	X7R	GRM155R71H104KE14D	K22178872		1-	A	
C 3413	CHIP CAP.	0.1uF	50V	X7R	GRM155R71H104KE14D	K22178872		1-	A	
C 3414	CHIP CAP.	0.001uF	50V	B	GRM155B11H102KA01D	K22178809		1-	A	
C 3415	CHIP CAP.	0.001uF	50V	B	GRM155B11H102KA01D	K22178809		1-	A	
C 3416	CHIP CAP.	0.1uF	50V	X7R	GRM155R71H104KE14D	K22178872		1-	A	
C 3417	CHIP CAP.	0.01uF	50V	X7R	GRM155R71H103KA88D	K22178848		1-	A	
C 3418	CHIP CAP.	0.1uF	50V	X7R	GRM155R71H104KE14D	K22178872		1-	A	
C 3419	CHIP CAP.	22pF	50V	CH	GRM1552C1H220JA01D	K22178220		1-	A	
C 3420	CHIP CAP.	3pF	50V	CJ	GRM1553C1H3R0BA01D	K22178290		1-	A	
C 3421	CHIP CAP.	0.1uF	50V	X7R	GRM155R71H104KE14D	K22178872		1-	A	
C 3422	CHIP CAP.	0.01uF	50V	X7R	GRM155R71H103KA88D	K22178848		1-	A	
C 3423	CHIP CAP.	0.001uF	50V	C0G	GRM1555C1H102JA01D	K22179756		1-	A	
C 3424	CHIP CAP.	0.1uF	50V	X7R	GRM155R71H104KE14D	K22178872		1-	A	
C 3425	CHIP CAP.	0.1uF	50V	X7R	GRM155R71H104KE14D	K22178872		1-	A	
C 3426	CHIP CAP.	0.1uF	50V	X7R	GRM155R71H104KE14D	K22178872		1-	A	
C 3427	AL.ELECTRO.CAP.	220uF	16V		EMVA160ADA221MF80G	K48120021		1-	A	
C 3428	CHIP CAP.	0.1uF	50V	X7R	GRM155R71H104KE14D	K22178872		1-	A	
C 3429	CHIP CAP.	0.001uF	50V	C0G	GRM1555C1H102JA01D	K22179756		1-	A	
C 3430	CHIP CAP.	0.001uF	50V	C0G	GRM1555C1H102JA01D	K22179756		1-	A	
C 3431	CHIP CAP.	0.1uF	50V	X7R	GRM155R71H104KE14D	K22178872		1-	A	
C 3432	CHIP CAP.	0.1uF	50V	X7R	GRM155R71H104KE14D	K22178872		1-	A	
C 3433	CHIP CAP.	0.001uF	50V	C0G	GRM1555C1H102JA01D	K22179756		1-	A	
C 3434	CHIP CAP.	0.001uF	50V	C0G	GRM1555C1H102JA01D	K22179756		1-	A	
C 3435	CHIP CAP.	0.1uF	50V	X7R	GRM155R71H104KE14D	K22178872		1-	A	
C 3436	CHIP CAP.	0.001uF	50V	C0G	GRM1555C1H102JA01D	K22179756		1-	A	
C 3437	CHIP CAP.	10uF	25V	B	GRM188R61E106MA73D	K22144818		1-	A	
C 3438	CHIP CAP.	10pF	50V	CH	GRM1552C1H100JA01D	K22178212		1-	A	
C 3439	CHIP CAP.	0.1uF	50V	X7R	GRM155R71H104KE14D	K22178872		1-	A	
C 3440	AL.ELECTRO.CAP.	10uF	25V		EMVA250ADA100MD55G	K48140014		1-	A	
C 3441	CHIP CAP.	0.1uF	50V	X7R	GRM155R71H104KE14D	K22178872		1-	A	
C 3442	CHIP CAP.	0.1uF	50V	X7R	GRM155R71H104KE14D	K22178872		1-	A	
C 3443	CHIP CAP.	0.01uF	50V	X7R	GRM155R71H103KA88D	K22178848		1-	A	
C 3444	CHIP CAP.	0.1uF	50V	X7R	GRM155R71H104KE14D	K22178872		1-	A	
C 3445	CHIP CAP.	0.1uF	50V	X7R	GRM155R71H104KE14D	K22178872		1-	A	
C 3446	CHIP CAP.	27pF	50V	CH	GRM1552C1H270JA01D	K22178222		1-	A	
C 3447	CHIP CAP.	0.1uF	50V	X7R	GRM155R71H104KE14D	K22178872		1-	A	
C 3448	CHIP CAP.	0.001uF	50V	C0G	GRM1555C1H102JA01D	K22179756		1-	A	
C 3449	CHIP CAP.	0.1uF	50V	X7R	GRM155R71H104KE14D	K22178872		1-	A	
C 3450	CHIP CAP.	0.1uF	50V	X7R	GRM155R71H104KE14D	K22178872		1-	A	
C 3451	CHIP CAP.	0.001uF	50V	B	GRM155B11H102KA01D	K22178809		1-	A	
C 3452	CHIP CAP.	0.1uF	50V	X7R	GRM155R71H104KE14D	K22178872		1-	A	
C 3453	CHIP CAP.	0.001uF	50V	B	GRM155B11H102KA01D	K22178809		1-	A	
C 3454	CHIP CAP.	0.001uF	50V	C0G	GRM1555C1H102JA01D	K22179756		1-	A	
C 3455	CHIP CAP.	0.001uF	50V	C0G	GRM1555C1H102JA01D	K22179756		1-	A	
C 3456	CHIP CAP.	0.001uF	50V	C0G	GRM1555C1H102JA01D	K22179756		1-	A	
C 3457	CHIP CAP.	0.001uF	50V	C0G	GRM1555C1H102JA01D	K22179756		1-	A	
C 3458	CHIP CAP.	0.1uF	50V	X7R	GRM155R71H104KE14D	K22178872		1-	A	
C 3459	CHIP CAP.	0.1uF	50V	X7R	GRM155R71H104KE14D	K22178872		1-	A	
C 3460	CHIP CAP.	0.001uF	50V	C0G	GRM1555C1H102JA01D	K22179756		1-	A	
C 3461	CHIP CAP.	0.001uF	50V	C0G	GRM1555C1H102JA01D	K22179756		1-	A	
C 3462	CHIP CAP.	0.001uF	50V	B	GRM155B11H102KA01D	K22178809		1-	A	
C 3463	CHIP CAP.	0.1uF	50V	X7R	GRM155R71H104KE14D	K22178872		1-	A	
C 3464	CHIP CAP.	0.1uF	50V	X7R	GRM155R71H104KE14D	K22178872		1-	A	
C 3465	CHIP CAP.	0.01uF	50V	X7R	GRM155R71H103KA88D	K22178848		1-	A	
C 3466	CHIP CAP.	0.1uF	50V	X7R	GRM155R71H104KE14D	K22178872		1-	A	
C 3467	CHIP CAP.	0.001uF	50V	C0G	GRM1555C1H102JA01D	K22179756		1-	A	
C 3468	CHIP CAP.	0.001uF	50V	B	GRM155B11H102KA01D	K22178809		1-	A	
C 3469	CHIP CAP.	0.1uF	50V	X7R	GRM155R71H104KE14D	K22178872		1-	A	
C 3470	CHIP CAP.	0.1uF	50V	X7R	GRM155R71H104KE14D	K22178872		1-	A	
C 3471	CHIP CAP.	0.1uF	50V	X7R	GRM155R71H104KE14D	K22178872		1-	A	
C 3472	CHIP CAP.	0.1uF	50V	X7R	GRM155R71H104KE14D	K22178872		1-	A	
C 3473	CHIP CAP.	0.001uF	50V	C0G	GRM1555C1H102JA01D	K22179756		1-	A	
C 3474	CHIP CAP.	0.001uF	50V	B	GRM155B11H102KA01D	K22178809		1-	A	
C 3475	AL.ELECTRO.CAP.	220uF	16V		EMVA160ADA221MF80G	K48120021		1-	A	
C 3476	CHIP CAP.	9pF	50V	CH	GRM1552C1H9R0DA01D	K22178211		1-	A	
C 3477	AL.ELECTRO.CAP.	220uF	16V		EMVA160ADA221MF80G	K48120021		1-	A	
C 3478	CHIP CAP.	0.01uF	50V	X7R	GRM155R71H103KA88D	K22178848		1-	A	

RX-1 Unit

Parts List

REF	DESCRIPTION	VALUE	V/W	TOL.	MFR'S DESIG	YAESU P/N	VERS.	LOT	SIDE	LAY ADR
C 3479	CHIP TA.CAP.	10uF	16V		TMCMA1C106MTRF	K78120077		1-	A	
C 3480	CHIP CAP.	0.1uF	50V	X7R	GRM155R71H104KE14D	K22178872		1-	A	
C 3481	CHIP CAP.	0.001uF	50V	C0G	GRM1555C1H102JA01D	K22179756		1-	A	
C 3482	CHIP CAP.	0.1uF	50V	X7R	GRM155R71H104KE14D	K22178872		1-	A	
C 3483	CHIP CAP.	0.001uF	50V	C0G	GRM1555C1H102JA01D	K22179756		1-	A	
C 3484	CHIP CAP.	10uF	25V	B	GRM188R61E106MA73D	K22144818		1-	A	
C 3485	CHIP CAP.	0.1uF	50V	X7R	GRM155R71H104KE14D	K22178872		1-	A	
C 3486	CHIP CAP.	0.1uF	50V	X7R	GRM155R71H104KE14D	K22178872		1-	A	
C 3487	CHIP CAP.	0.01uF	50V	X7R	GRM155R71H103KA88D	K22178848		1-	A	
C 3488	CHIP CAP.	0.1uF	50V	X7R	GRM155R71H104KE14D	K22178872		1-	A	
C 3489	CHIP CAP.	0.1uF	50V	X7R	GRM155R71H104KE14D	K22178872		1-	A	
C 3490	CHIP CAP.	0.01uF	50V	X7R	GRM155R71H103KA88D	K22178848		1-	A	
C 3491	CHIP CAP.	0.001uF	50V	B	GRM155B11H102KA01D	K22178809		1-	A	
C 3492	CHIP TA.CAP.	10uF	16V		TMCMA1C106MTRF	K78120077		1-	A	
C 3493	CHIP CAP.	0.1uF	50V	X7R	GRM155R71H104KE14D	K22178872		1-	A	
C 3494	CHIP CAP.	0.01uF	50V	X7R	GRM155R71H103KA88D	K22178848		1-	A	
C 3496	CHIP TA.CAP.	10uF	16V		TMCMA1C106MTRF	K78120077		1-	A	
C 3497	CHIP CAP.	0.01uF	50V	X7R	GRM155R71H103KA88D	K22178848		1-	A	
C 3498	CHIP CAP.	0.001uF	50V	B	GRM155B11H102KA01D	K22178809		1-	A	
C 3499	CHIP CAP.	150pF	50V	CH	GRM1552C1H151JA01D	K22178240		1-	A	
C 3500	CHIP CAP.	0.001uF	50V	B	GRM155B11H102KA01D	K22178809		1-	A	
C 3501	CHIP CAP.	2pF	50V	CK	GRM1554C1H2R0CA01D	K22178204		1-	A	
C 3502	CHIP CAP.	0.1uF	50V	X7R	GRM155R71H104KE14D	K22178872		1-	A	
C 3503	CHIP CAP.	2pF	50V	CK	GRM1554C1H2R0CA01D	K22178204		1-	A	
C 3504	AL.ELECTRO.CAP.	220uF	16V		EMVA160ADA221MF80G	K48120021		1-	A	
C 3505	CHIP CAP.	22pF	50V	CH	GRM1552C1H220JA01D	K22178220		1-	A	
C 3506	CHIP CAP.	150pF	50V	CH	GRM1552C1H151JA01D	K22178240		1-	A	
C 3507	CHIP CAP.	270pF	50V	CH	GRM1552C1H271JA01D	K22179715		1-	A	
C 3508	CHIP CAP.	43pF	50V	CH	GRM1552C1H430JA01D	K22178227		1-	A	
C 3509	CHIP CAP.	270pF	50V	CH	GRM1552C1H271JA01D	K22179715		1-	A	
C 3510	CHIP CAP.	0.01uF	50V	X7R	GRM155R71H103KA88D	K22178848		1-	A	
C 3511	CHIP CAP.	0.01uF	50V	X7R	GRM155R71H103KA88D	K22178848		1-	A	
C 3512	CHIP CAP.	43pF	50V	CH	GRM1552C1H430JA01D	K22178227		1-	A	
C 3513	CHIP CAP.	0.01uF	50V	X7R	GRM155R71H103KA88D	K22178848		1-	A	
C 3514	CHIP CAP.	0.1uF	50V	X7R	GRM155R71H104KE14D	K22178872		1-	A	
C 3515	CHIP CAP.	22pF	50V	CH	GRM1552C1H220JA01D	K22178220		1-	A	
C 3516	CHIP CAP.	0.01uF	50V	X7R	GRM155R71H103KA88D	K22178848		1-	A	
C 3517	CHIP CAP.	0.01uF	50V	X7R	GRM155R71H103KA88D	K22178848		1-	A	
C 3518	CHIP CAP.	27pF	50V	CH	GRM1552C1H270JA01D	K22178222		1-	A	
C 3519	CHIP TA.CAP.	1uF	35V		F931V105MAA	K78160092		1-	A	
C 3520	CHIP CAP.	0.1uF	50V	X7R	GRM155R71H104KE14D	K22178872		1-	A	
C 3521	CHIP CAP.	0.001uF	50V	C0G	GRM1555C1H102JA01D	K22179756		1-	A	
C 3522	CHIP CAP.	0.001uF	50V	C0G	GRM1555C1H102JA01D	K22179756		1-	A	
C 3523	CHIP CAP.	0.001uF	50V	B	GRM155B11H102KA01D	K22178809		1-	A	
C 3524	CHIP CAP.	0.01uF	50V	X7R	GRM155R71H103KA88D	K22178848		1-	A	
C 3525	CHIP CAP.	22pF	50V	CH	GRM1552C1H220JA01D	K22178220		1-	A	
C 3526	CHIP CAP.	0.1uF	50V	X7R	GRM155R71H104KE14D	K22178872		1-	A	
C 3527	CHIP CAP.	0.1uF	50V	X7R	GRM155R71H104KE14D	K22178872		1-	A	
C 3528	CHIP CAP.	0.01uF	50V	X7R	GRM155R71H103KA88D	K22178848		1-	A	
C 3529	CHIP CAP.	9pF	50V	CH	GRM1552C1H9R0DA01D	K22178211		1-	A	
C 3531	CHIP CAP.	56pF	50V	CH	GRM1552C1H560JA01D	K22178230		1-	A	
C 3532	CHIP CAP.	5pF	50V	CH	GRM1552C1H5R0CA01D	K22178207		1-	A	
C 3533	CHIP CAP.	0.001uF	50V	B	GRM155B11H102KA01D	K22178809		1-	A	
C 3534	CHIP CAP.	10uF	25V	B	GRM188R61E106MA73D	K22144818		1-	A	
C 3535	CHIP CAP.	0.1uF	50V	X7R	GRM155R71H104KE14D	K22178872		1-	A	
C 3536	CHIP CAP.	0.01uF	50V	X7R	GRM155R71H103KA88D	K22178848		1-	A	
C 3537	CHIP CAP.	27pF	50V	CH	GRM1552C1H270JA01D	K22178222		1-	A	
C 3538	CHIP CAP.	2pF	50V	CK	GRM1554C1H2R0CA01D	K22178204		1-	A	
C 3539	CHIP CAP.	0.001uF	50V	B	GRM155B11H102KA01D	K22178809		1-	A	
C 3540	CHIP CAP.	56pF	50V	CH	GRM1552C1H560JA01D	K22178230		1-	A	
C 3541	CHIP CAP.	0.01uF	50V	X7R	GRM155R71H103KA88D	K22178848		1-	A	
C 3542	CHIP CAP.	0.01uF	50V	X7R	GRM155R71H103KA88D	K22178848		1-	A	
C 3543	CHIP CAP.	0.1uF	50V	X7R	GRM155R71H104KE14D	K22178872		1-	A	
C 3544	CHIP CAP.	0.01uF	50V	X7R	GRM155R71H103KA88D	K22178848		1-	A	
C 3545	CHIP CAP.	150pF	50V	CH	GRM1552C1H151JA01D	K22178240		1-	A	
C 3546	CHIP CAP.	0.1uF	50V	X7R	GRM155R71H104KE14D	K22178872		1-	A	
C 3548	CHIP CAP.	0.1uF	50V	X7R	GRM155R71H104KE14D	K22178872		1-	A	
C 3549	CHIP CAP.	0.1uF	50V	X7R	GRM155R71H104KE14D	K22178872		1-	A	
C 3550	CHIP CAP.	6pF	50V	CH	GRM1552C1H6R0DA01D	K22178208		1-	A	
C 3551	CHIP CAP.	0.01uF	50V	X7R	GRM155R71H103KA88D	K22178848		1-	A	
C 3552	CHIP CAP.	0.001uF	50V	B	GRM155B11H102KA01D	K22178809		1-	A	
C 3553	CHIP CAP.	39pF	50V	CH	GRM1552C1H390JA01D	K22178226		1-	A	
C 3554	CHIP CAP.	0.01uF	50V	X7R	GRM155R71H103KA88D	K22178848		1-	A	
C 3555	CHIP TA.CAP.	10uF	16V		TMCMA1C106MTRF	K78120077		1-	A	
C 3556	CHIP CAP.	270pF	50V	CH	GRM1552C1H271JA01D	K22179715		1-	A	

RX-1 Unit

Parts List

REF	DESCRIPTION	VALUE	V/W	TOL.	MFR'S DESIG	YAESU P/N	VERS.	LOT	SIDE	LAY ADR
C 3557	CHIP CAP.	2pF	50V	CK	GRM1554C1H2R0CA01D	K22178204		1-	A	
C 3558	CHIP CAP.	0.1uF	50V	X7R	GRM155R71H104KE14D	K22178872		1-	A	
C 3559	CHIP CAP.	0.01uF	50V	X7R	GRM155R71H103KA88D	K22178848		1-	A	
C 3562	CHIP CAP.	10pF	50V	CH	GRM1552C1H100JA01D	K22178212		1-	A	
C 3563	CHIP CAP.	0.1uF	50V	X7R	GRM155R71H104KE14D	K22178872		1-	A	
C 3564	CHIP CAP.	0.01uF	50V	X7R	GRM155R71H103KA88D	K22178848		1-	A	
C 3565	CHIP CAP.	0.001uF	50V	B	GRM155B11H102KA01D	K22178809		1-	A	
C 3566	CHIP CAP.	15pF	50V	CH	GRM1552C1H150JA01D	K22178216		1-	A	
C 3567	CHIP CAP.	150pF	50V	CH	GRM1552C1H151JA01D	K22178240		1-	A	
C 3568	CHIP CAP.	0.1uF	50V	X7R	GRM155R71H104KE14D	K22178872		1-	A	
C 3569	CHIP CAP.	0.01uF	50V	X7R	GRM155R71H103KA88D	K22178848		1-	A	
C 3570	CHIP CAP.	0.1uF	50V	X7R	GRM155R71H104KE14D	K22178872		1-	A	
C 3573	CHIP CAP.	0.001uF	50V	B	GRM155B11H102KA01D	K22178809		1-	A	
C 3574	CHIP CAP.	220pF	50V	CH	GRM1552C1H221JA01D	K22179713		1-	A	
C 3575	CHIP CAP.	0.001uF	50V	B	GRM155B11H102KA01D	K22178809		1-	A	
C 3576	CHIP CAP.	0.001uF	50V	B	GRM155B11H102KA01D	K22178809		1-	A	
C 3577	CHIP CAP.	0.01uF	50V	X7R	GRM155R71H103KA88D	K22178848		1-	A	
C 3579	CHIP CAP.	0.1uF	50V	X7R	GRM155R71H104KE14D	K22178872		1-	A	
C 3580	CHIP CAP.	0.1uF	50V	X7R	GRM155R71H104KE14D	K22178872		1-	A	
C 3581	CHIP CAP.	0.1uF	50V	X7R	GRM155R71H104KE14D	K22178872		1-	A	
C 3582	CHIP TA.CAP.	15uF	35V		TMCME1V156MTRF	K78160039		1-	A	
C 3583	AL.ELECTRO.CAP.	220uF	16V		EMVA160ADA221MF80G	K48120021		1-	A	
C 3584	CHIP CAP.	0.1uF	50V	X7R	GRM155R71H104KE14D	K22178872		1-	A	
C 3585	CHIP CAP.	0.1uF	50V	X7R	GRM155R71H104KE14D	K22178872		1-	A	
C 3586	CHIP CAP.	0.001uF	50V	B	GRM155B11H102KA01D	K22178809		1-	A	
C 3587	CHIP CAP.	0.01uF	50V	X7R	GRM155R71H103KA88D	K22178848		1-	A	
C 3588	CHIP CAP.	0.1uF	50V	X7R	GRM155R71H104KE14D	K22178872		1-	A	
C 3589	CHIP CAP.	0.001uF	50V	B	GRM155B11H102KA01D	K22178809		1-	A	
C 3590	CHIP CAP.	0.001uF	50V	C0G	GRM1555C1H102JA01D	K22179756		1-	A	
C 3591	CHIP CAP.	5pF	50V	CH	GRM1552C1H5R0CA01D	K22178207		1-	A	
C 3592	CHIP CAP.	9pF	50V	CH	GRM1552C1H9R0DA01D	K22178211		1-	A	
C 3593	CHIP CAP.	0.1uF	50V	X7R	GRM155R71H104KE14D	K22178872		1-	A	
C 3594	CHIP CAP.	0.1uF	50V	X7R	GRM155R71H104KE14D	K22178872		1-	A	
C 3595	CHIP CAP.	0.1uF	50V	X7R	GRM155R71H104KE14D	K22178872		1-	A	
C 3596	CHIP CAP.	0.1uF	50V	X7R	GRM155R71H104KE14D	K22178872		1-	A	
C 3597	CHIP CAP.	0.001uF	50V	B	GRM155B11H102KA01D	K22178809		1-	A	
C 3598	CHIP CAP.	0.001uF	50V	B	GRM155B11H102KA01D	K22178809		1-	A	
C 3599	CHIP CAP.	0.01uF	50V	X7R	GRM155R71H103KA88D	K22178848		1-	A	
C 3602	CHIP CAP.	0.001uF	50V	B	GRM155B11H102KA01D	K22178809		1-	A	
C 3603	CHIP CAP.	0.01uF	50V	X7R	GRM155R71H103KA88D	K22178848		1-	A	
C 3604	CHIP CAP.	0.1uF	50V	X7R	GRM155R71H104KE14D	K22178872		1-	A	
C 3605	CHIP CAP.	0.1uF	50V	X7R	GRM155R71H104KE14D	K22178872		1-	A	
C 3606	CHIP CAP.	47pF	50V	CH	GRM1552C1H470JA01D	K22178228		1-	A	
C 3607	CHIP CAP.	47pF	50V	CH	GRM1552C1H470JA01D	K22178228		1-	A	
C 3608	CHIP CAP.	100pF	50V	CH	GRM1552C1H101JA01D	K22178236		1-	A	
C 3609	CHIP CAP.	33pF	50V	CH	GRM1552C1H330JA01D	K22178224		1-	A	
C 3610	CHIP CAP.	68pF	50V	CH	GRM1552C1H680JA01D	K22178232		1-	A	
C 3611	CHIP CAP.	100pF	50V	CH	GRM1552C1H101JA01D	K22178236		1-	A	
C 3612	CHIP CAP.	68pF	50V	CH	GRM1552C1H680JA01D	K22178232		1-	A	
C 3614	CHIP CAP.	18pF	50V	CH	GRM1552C1H180JA01D	K22178218		1-	A	
C 3615	CHIP CAP.	100pF	50V	CH	GRM1552C1H101JA01D	K22178236		1-	A	
C 3616	CHIP CAP.	18pF	50V	CH	GRM1552C1H180JA01D	K22178218		1-	A	
C 3617	CHIP CAP.	27pF	50V	CH	GRM1552C1H270JA01D	K22178222		1-	A	
C 3618	CHIP CAP.	0.001uF	50V	C0G	GRM1555C1H102JA01D	K22179756		1-	A	
C 3619	CHIP CAP.	0.001uF	50V	C0G	GRM1555C1H102JA01D	K22179756		1-	A	
C 3620	CHIP CAP.	0.001uF	50V	C0G	GRM1555C1H102JA01D	K22179756		1-	A	
C 3621	CHIP CAP.	0.001uF	50V	C0G	GRM1555C1H102JA01D	K22179756		1-	A	
C 3622	CHIP CAP.	0.001uF	50V	C0G	GRM1555C1H102JA01D	K22179756		1-	A	
C 3623	CHIP CAP.	0.001uF	50V	C0G	GRM1555C1H102JA01D	K22179756		1-	A	
C 3624	CHIP CAP.	0.001uF	50V	C0G	GRM1555C1H102JA01D	K22179756		1-	A	
C 3625	CHIP CAP.	0.001uF	50V	C0G	GRM1555C1H102JA01D	K22179756		1-	A	
C 3626	CHIP CAP.	15pF	50V	CH	GRM1552C1H150JA01D	K22178216		1-	A	
C 3627	CHIP CAP.	22pF	50V	CH	GRM1552C1H220JA01D	K22178220		1-	A	
C 3628	CHIP CAP.	22pF	50V	CH	GRM1552C1H220JA01D	K22178220		1-	A	
C 3632	CHIP CAP.	0.1uF	50V	X7R	GRM155R71H104KE14D	K22178872		1-	A	
C 3633	CHIP CAP.	0.001uF	50V	C0G	GRM1555C1H102JA01D	K22179756		1-	A	
C 3634	CHIP CAP.	0.001uF	50V	C0G	GRM1555C1H102JA01D	K22179756		1-	A	
C 3635	CHIP CAP.	0.1uF	50V	X7R	GRM155R71H104KE14D	K22178872		1-	A	
C 3636	CHIP CAP.	0.01uF	50V	X7R	GRM155R71H103KA88D	K22178848		1-	A	
C 3637	CHIP CAP.	0.1uF	50V	X7R	GRM155R71H104KE14D	K22178872		1-	A	
C 3638	CHIP CAP.	0.001uF	50V	B	GRM155B11H102KA01D	K22178809		1-	A	
C 3639	CHIP CAP.	0.1uF	50V	X7R	GRM155R71H104KE14D	K22178872		1-	A	
C 3640	CHIP CAP.	0.01uF	50V	X7R	GRM155R71H103KA88D	K22178848		1-	A	
C 3641	CHIP CAP.	0.001uF	50V	B	GRM155B11H102KA01D	K22178809		1-	A	
C 3642	CHIP CAP.	0.1uF	50V	X7R	GRM155R71H104KE14D	K22178872		1-	A	

RX-1 Unit Parts List

REF	DESCRIPTION	VALUE	V/W	TOL.	MFR'S DESIG	YAESU P/N	VERS.	LOT	SIDE	LAY ADR
C 3643	CHIP CAP.	0.01uF	50V	X7R	GRM155R71H103KA88D	K22178848		1-	A	
C 3644	AL.ELECTRO.CAP.	220uF	16V		EMVA160ADA221MF80G	K48120021		1-	A	
C 3645	AL.ELECTRO.CAP.	220uF	16V		EMVA160ADA221MF80G	K48120021		1-	A	
C 3646	CHIP CAP.	10uF	25V	B	GRM188R61E106MA73D	K22144818		1-	A	
C 3647	CHIP CAP.	10uF	25V	B	GRM188R61E106MA73D	K22144818		1-	A	
C 3648	CHIP CAP.	10uF	25V	B	GRM188R61E106MA73D	K22144818		1-	A	
C 3649	CHIP CAP.	0.001uF	50V	C0G	GRM1555C1H102JA01D	K22179756		1-	A	
C 3650	CHIP TA.CAP.	1uF	35V		F931V105MAA	K78160092		1-	A	
C 3651	AL.ELECTRO.CAP.	220uF	16V		EMVA160ADA221MF80G	K48120021		1-	A	
C 3652	CHIP TA.CAP.	4.7uF	25V		F921E475MAA	K78140036		1-	A	
C 3653	CHIP CAP.	0.001uF	50V	C0G	GRM1555C1H102JA01D	K22179756		1-	A	
C 3654	CHIP CAP.	0.1uF	50V	X7R	GRM155R71H104KE14D	K22178872		1-	A	
C 3655	CHIP TA.CAP.	1uF	35V		F931V105MAA	K78160092		1-	A	
C 3657	CHIP TA.CAP.	2.2uF	25V		TMCMA1E225MTRF	K78140020		1-	A	
C 3658	CHIP CAP.	0.01uF	50V	X7R	GRM155R71H103KA88D	K22178848		1-	A	
C 3659	CHIP CAP.	0.1uF	50V	X7R	GRM155R71H104KE14D	K22178872		1-	A	
C 3660	CHIP CAP.	0.01uF	50V	X7R	GRM155R71H103KA88D	K22178848		1-	A	
C 3661	CHIP CAP.	0.01uF	50V	X7R	GRM155R71H103KA88D	K22178848		1-	A	
C 3662	CHIP CAP.	0.001uF	50V	C0G	GRM1555C1H102JA01D	K22179756		1-	A	
C 3663	CHIP CAP.	0.01uF	50V	X7R	GRM155R71H103KA88D	K22178848		1-	A	
C 3664	CHIP CAP.	0.1uF	50V	X7R	GRM155R71H104KE14D	K22178872		1-	A	
C 3665	CHIP CAP.	0.1uF	50V	X7R	GRM155R71H104KE14D	K22178872		1-	A	
C 3666	AL.ELECTRO.CAP.	10uF	25V		EMVA250ADA100MD55G	K48140014		1-	A	
C 3667	AL.ELECTRO.CAP.	10uF	25V		EMVA250ADA100MD55G	K48140014		1-	A	
C 3669	CHIP CAP.	18pF	50V	CH	GRM1552C1H180JA01D	K22178218		1-	A	
C 3672	CHIP CAP.	0.0022uF	50V	C0G	GRM1555C1H222JA01D	K22179764		1-	A	
C 3673	CHIP CAP.	0.0022uF	50V	C0G	GRM1555C1H222JA01D	K22179764		1-	A	
C 3674	CHIP CAP.	820pF	50V	C0G	GRM1555C1H821JA01D	K22179754		1-	A	
C 3675	CHIP CAP.	820pF	50V	C0G	GRM1555C1H821JA01D	K22179754		1-	A	
C 3676	CHIP CAP.	10pF	50V	CH	GRM1552C1H100JA01D	K22178212		1-	A	
C 3677	CHIP CAP.	10pF	50V	CH	GRM1552C1H100JA01D	K22178212		1-	A	
C 3678	CHIP CAP.	0.001uF	50V	C0G	GRM1555C1H102JA01D	K22179756		1-	A	
C 3679	CHIP CAP.	0.001uF	50V	C0G	GRM1555C1H102JA01D	K22179756		1-	A	
C 3680	CHIP CAP.	0.001uF	50V	C0G	GRM1555C1H102JA01D	K22179756		1-	A	
C 3681	CHIP CAP.	0.001uF	50V	C0G	GRM1555C1H102JA01D	K22179756		1-	A	
C 3682	CHIP CAP.	0.1uF	50V	X7R	GRM155R71H104KE14D	K22178872		1-	A	
C 3683	CHIP CAP.	0.1uF	50V	X7R	GRM155R71H104KE14D	K22178872		1-	A	
C 3684	CHIP CAP.	0.1uF	50V	X7R	GRM155R71H104KE14D	K22178872		1-	A	
C 3685	CHIP CAP.	0.001uF	50V	B	GRM155B11H102KA01D	K22178809		1-	A	
C 3686	CHIP CAP.	10uF	25V	B	GRM188R61E106MA73D	K22144818		1-	A	
C 3687	CHIP CAP.	0.1uF	50V	X7R	GRM155R71H104KE14D	K22178872		1-	A	
C 3688	CHIP CAP.	0.01uF	50V	X7R	GRM155R71H103KA88D	K22178848		1-	A	
C 3689	CHIP CAP.	0.01uF	50V	X7R	GRM155R71H103KA88D	K22178848		1-	A	
C 3690	CHIP CAP.	0.1uF	50V	X7R	GRM155R71H104KE14D	K22178872		1-	A	
C 3691	CHIP TA.CAP.	15uF	35V		TMCME1V156MTRF	K78160039		1-	A	
C 3692	CHIP CAP.	0.001uF	50V	B	GRM155B11H102KA01D	K22178809		1-	A	
C 3693	CHIP CAP.	0.001uF	50V	B	GRM155B11H102KA01D	K22178809		1-	A	
C 3694	CHIP CAP.	0.01uF	50V	X7R	GRM155R71H103KA88D	K22178848		1-	A	
C 3695	CHIP CAP.	0.01uF	50V	X7R	GRM155R71H103KA88D	K22178848		1-	A	
C 3696	CHIP CAP.	0.1uF	50V	X7R	GRM155R71H104KE14D	K22178872		1-	A	
C 3697	CHIP CAP.	0.1uF	50V	X7R	GRM155R71H104KE14D	K22178872		1-	A	
C 3698	CHIP CAP.	0.1uF	50V	X7R	GRM155R71H104KE14D	K22178872		1-	A	
C 3699	AL.ELECTRO.CAP.	220uF	16V		EMVA160ADA221MF80G	K48120021		1-	A	
C 3700	CHIP CAP.	5pF	50V	CH	GRM1552C1H5R0CA01D	K22178207		1-	A	
C 3701	CHIP CAP.	5pF	50V	CH	GRM1552C1H5R0CA01D	K22178207		1-	A	
C 3702	CHIP CAP.	10uF	10V	B	GRM188B31A106ME69D	K22104810		1-	A	
C 3703	CHIP CAP.	27pF	50V	CH	GRM1552C1H270JA01D	K22178222		1-	A	
C 3704	CHIP CAP.	56pF	50V	CH	GRM1552C1H560JA01D	K22178230		1-	A	
C 3705	CHIP CAP.	56pF	50V	CH	GRM1552C1H560JA01D	K22178230		1-	A	
C 3706	CHIP CAP.	27pF	50V	CH	GRM1552C1H270JA01D	K22178222		1-	A	
C 3708	CHIP CAP.	10pF	50V	CH	GRM1882C1H100JA01D	K22174211		1-	A	
C 3709	CHIP CAP.	10pF	50V	CH	GRM1882C1H100JA01D	K22174211		1-	A	
D 3001	SURGE ABSORBER				1608SGXA2-TR2	Q9000891		1-	A	
D 3003	DIODE				RN142S TE61	G2070994		1-	A	
D 3004	DIODE				RN142S TE61	G2070994		1-	A	
D 3005	DIODE				RN142S TE61	G2070994		1-	A	
D 3006	DIODE				RN142S TE61	G2070994		1-	A	
D 3007	DIODE				RN142S TE61	G2070994		1-	A	
D 3008	DIODE				RN142S TE61	G2070994		1-	A	
D 3009	DIODE				RN142S TE61	G2070994		1-	A	
D 3010	DIODE				RN142S TE61	G2070994		1-	A	
D 3011	DIODE				RN142S TE61	G2070994		1-	A	
D 3012	DIODE				RN142S TE61	G2070994		1-	A	
D 3013	DIODE				BAS316	G2070716		1-	A	
D 3014	DIODE				RN142S TE61	G2070994		1-	A	

RX-1 Unit

Parts List

REF	DESCRIPTION	VALUE	V/W	TOL.	MFR'S DESIG	YAESU P/N	VERS.	LOT	SIDE	LAY ADR
D 3015	DIODE				RN142S TE61	G2070994		1-	A	
D 3016	DIODE				BAS316	G2070716		1-	A	
D 3017	DIODE				RN142S TE61	G2070994		1-	A	
D 3018	DIODE				RN142S TE61	G2070994		1-	A	
D 3019	DIODE				RN142S TE61	G2070994		1-	A	
D 3020	DIODE				RN142S TE61	G2070994		1-	A	
D 3021	DIODE				RN142S TE61	G2070994		1-	A	
D 3022	DIODE				RN142S TE61	G2070994		1-	A	
D 3023	DIODE				RN142S TE61	G2070994		1-	A	
D 3024	DIODE				RN142S TE61	G2070994		1-	A	
D 3025	DIODE				RN142S TE61	G2070994		1-	A	
D 3026	DIODE				BAS316	G2070716		1-	A	
D 3027	DIODE				BAS316	G2070716		1-	A	
D 3028	DIODE				BAS316	G2070716		1-	A	
D 3029	DIODE				BAS316	G2070716		1-	A	
D 3030	DIODE				BAS316	G2070716		1-	A	
D 3031	DIODE				BAS316	G2070716		1-	A	
D 3032	DIODE				RN142S TE61	G2070994		1-	A	
D 3033	DIODE				RN142S TE61	G2070994		1-	A	
D 3034	DIODE				RN142S TE61	G2070994		1-	A	
D 3035	DIODE				RN142S TE61	G2070994		1-	A	
D 3036	DIODE				RN142S TE61	G2070994		1-	A	
D 3037	DIODE				BAS316	G2070716		1-	A	
D 3038	DIODE				BAS316	G2070716		1-	A	
D 3039	DIODE				RN142S TE61	G2070994		1-	A	
D 3040	DIODE				RN142S TE61	G2070994		1-	A	
D 3041	DIODE				RN142S TE61	G2070994		1-	A	
D 3042	DIODE				RN142S TE61	G2070994		1-	A	
D 3043	DIODE				RN142S TE61	G2070994		1-	A	
D 3044	DIODE				RB886Y G T2R	G2071464		1-	A	
D 3045	DIODE				BAS316	G2070716		1-	A	
D 3046	DIODE				RN142S TE61	G2070994		1-	A	
D 3047	DIODE				RN142S TE61	G2070994		1-	A	
D 3048	DIODE				RN142S TE61	G2070994		1-	A	
D 3049	DIODE				RN142S TE61	G2070994		1-	A	
D 3052	DIODE				RN142S TE61	G2070994		1-	A	
D 3053	DIODE				RN142S TE61	G2070994		1-	A	
D 3055	DIODE				BAS316	G2070716		1-	A	
D 3056	DIODE				RN142S TE61	G2070994		1-	A	
D 3057	DIODE				RN142S TE61	G2070994		1-	A	
D 3059	DIODE				RN142S TE61	G2070994		1-	A	
D 3060	DIODE				RN142S TE61	G2070994		1-	A	
FB3001	FERRITE BEADS				BLM18BD182SN1D	L1690602		1-	A	
FB3002	FERRITE BEADS				BLM18BD182SN1D	L1690602		1-	A	
FB3003	FERRITE BEADS				BLM18BD182SN1D	L1690602		1-	A	
FB3004	FERRITE BEADS				BLM18BD182SN1D	L1690602		1-	A	
FB3005	FERRITE BEADS				BLM18BD182SN1D	L1690602		1-	A	
FB3006	FERRITE BEADS				BLM18BD182SN1D	L1690602		1-	A	
FB3007	FERRITE BEADS				BLM18BD182SN1D	L1690602		1-	A	
FB3008	FERRITE BEADS				BLM18BD182SN1D	L1690602		1-	A	
FB3009	FERRITE BEADS				BLM18BD182SN1D	L1690602		1-	A	
FB3011	FERRITE BEADS				BLM18BD601SN1D	L9190143		1-	A	
FB3012	FERRITE BEADS				BLM18BD182SN1D	L1690602		1-	A	
J 3001	CONNECTOR				U.FL-R-SMT(10)	P1091155		1-	A	
J 3002	CONNECTOR				U.FL-R-SMT(10)	P1091155		1-	A	
J 3003	CONNECTOR				U.FL-R-SMT(10)	P1091155		1-	A	
J 3004	CONNECTOR				40FLT-SM2-TB(LF)(SN)(M)	P1091251		1-	A	
J 3005	CONNECTOR				18FLT-SM2-TB(LF)(SN)(M)	P1091176		1-	A	
J 3006	CONNECTOR				U.FL-R-SMT(10)	P1091155		1-	A	
J 3007	CONNECTOR				U.FL-R-SMT(10)	P1091155		1-	A	
J 3008	CONNECTOR				LP-0848B-3B	P1091660		1-	A	
J 3009	CONNECTOR				U.FL-R-SMT(10)	P1091155		1-	A	
J 3010	CONNECTOR				U.FL-R-SMT(10)	P1091155		1-	A	
J 3011	CONNECTOR				U.FL-R-SMT(10)	P1091155		1-	A	
J 3012	CONNECTOR				U.FL-R-SMT(10)	P1091155		1-	A	
J 3013	CONNECTOR				LP-0848B-3B	P1091660		1-	A	
J 3014	CONNECTOR				U.FL-R-SMT(10)	P1091155		1-	A	
J 3015	CONNECTOR				U.FL-R-SMT(10)	P1091155		1-	A	
L 3001	M.RFC	1000uH			LLM3225-102J	L1691157		1-	A	
L 3002	CHIP COIL	0.15uH		2%	C2520C-R15G-RA	L1691296		1-	A	
L 3003	CHIP COIL	0.15uH		2%	C2520C-R15G-RA	L1691296		1-	A	
L 3004	M.RFC	1000uH			LLM3225-102J	L1691157		1-	A	
L 3005	M.RFC	8.2uH		5%	1008LS-822XJLC	L1691482		1-	A	
L 3006	M.RFC	1.8uH		5%	1008LS-182XJLC	L1691474		1-	A	
L 3007	M.RFC	1uH		5%	1008LS-102XJLC	L1691471		1-	A	

RX-1 Unit

Parts List

REF	DESCRIPTION	VALUE	V/W	TOL.	MFR'S DESIG	YAESU P/N	VERS.	LOT	SIDE	LAY ADR
L 3008	CHIP COIL	0.56uH		2%	C2520C-R56G-RA	L1691303		1-	A	
L 3009	M.RFC	0.39uH		2%	HA4036-ALC	L1692002		1-	A	
L 3010	M.RFC	0.15uH		2%	HA4031-ALC	L1691992		1-	A	
L 3011	CHIP COIL	0.1uH		2%	C2520C-R10G-RA	L1691294		1-	A	
L 3012	CHIP COIL	0.15uH		2%	C2520C-R15G-RA	L1691296		1-	A	
L 3013	M.RFC	3.9uH			LLM3225-3R9J	L1691128		1-	A	
L 3014	CHIP COIL	0.56uH		2%	C2520C-R56G-RA	L1691303		1-	A	
L 3015	CHIP COIL	0.27uH		2%	C2520C-R27G-RA	L1691299		1-	A	
L 3016	M.RFC	8.2uH		5%	1008LS-822XJLC	L1691482		1-	A	
L 3017	M.RFC	8.2uH		5%	1008LS-822XJLC	L1691482		1-	A	
L 3018	M.RFC	3.9uH		5%	1008LS-392XJLC	L1691478		1-	A	
L 3019	M.RFC	3.3uH		2%	SDWL4532C3R3GSTF	L1692118		1-	A	
L 3020	M.RFC	2.7uH		2%	SDWL4532C2R7GSTF	L1692116		1-	A	
L 3021	M.RFC	1.5uH		2%	1812CS-152XGLC	L1692008		1-	A	
L 3022	M.RFC	1.8uH		2%	SDWL4532C1R8GSTF	L1692112		1-	A	
L 3023	CHIP COIL	1uH		2%	C2520C-1R0G-RA	L1691309		1-	A	
L 3024	M.RFC	3.3uH			LLM3225-3R3J	L1691127		1-	A	
L 3025	CHIP COIL	0.047uH		2%	C2520C-47NG-RA	L1691290		1-	A	
L 3026	CHIP COIL	0.047uH			C2520C-47NK	L1690540		1-	A	
L 3027	M.RFC	3.3uH			LLM3225-3R3J	L1691127		1-	A	
L 3028	M.RFC	2.7uH		5%	1008LS-272XJLC	L1691476		1-	A	
L 3029	M.RFC	0.18uH		2%	HA4032-ALC	L1691994		1-	A	
L 3030	M.RFC	0.33uH		2%	HA4035-ALC	L1692000		1-	A	
L 3031	M.RFC	0.27uH		2%	HA4034-ALC	L1691998		1-	A	
L 3032	M.RFC	0.18uH		2%	HA4032-ALC	L1691994		1-	A	
L 3033	M.RFC	0.13uH		2%	C6342A-R13G-RA	L1691088		1-	A	
L 3034	M.RFC	0.11uH		2%	C6342A-R11G-RA	L1691087		1-	A	
L 3035	M.RFC	0.05uH		2%	C6342A-50NG-RA	L1691084		1-	A	
L 3036	CHIP COIL	0.082uH		2%	C2520C-82NG-RA	L1691293		1-	A	
L 3037	M.RFC	3.9uH			LLM3225-3R9J	L1691128		1-	A	
L 3038	CHIP COIL	0.56uH		2%	C2520C-R56G-RA	L1691303		1-	A	
L 3039	CHIP COIL	0.27uH		2%	C2520C-R27G-RA	L1691299		1-	A	
L 3040	M.RFC	8.2uH		5%	1008LS-822XJLC	L1691482		1-	A	
L 3041	M.RFC	3.9uH		5%	1008LS-392XJLC	L1691478		1-	A	
L 3042	M.RFC	3.3uH		2%	SDWL4532C3R3GSTF	L1692118		1-	A	
L 3043	M.RFC	2.7uH		2%	SDWL4532C2R7GSTF	L1692116		1-	A	
L 3044	M.RFC	1.5uH		2%	1812CS-152XGLC	L1692008		1-	A	
L 3045	M.RFC	1.8uH		2%	SDWL4532C1R8GSTF	L1692112		1-	A	
L 3046	CHIP COIL	1uH		2%	C2520C-1R0G-RA	L1691309		1-	A	
L 3047	CHIP COIL	0.15uH		2%	C2520C-R15G-RA	L1691296		1-	A	
L 3048	CHIP COIL	0.15uH		2%	C2520C-R15G-RA	L1691296		1-	A	
L 3049	M.RFC	8.2uH		5%	1008LS-822XJLC	L1691482		1-	A	
L 3050	CHIP COIL	10uH		5%	NLV25T-100J-PF	L1691436		1-	A	
L 3051	M.RFC	47uH			LLM3225-470J	L1691141		1-	A	
L 3052	M.RFC	1.8uH		5%	1008LS-182XJLC	L1691474		1-	A	
L 3053	M.RFC	1uH		5%	1008LS-102XJLC	L1691471		1-	A	
L 3054	CHIP COIL	0.56uH		2%	C2520C-R56G-RA	L1691303		1-	A	
L 3055	M.RFC	0.39uH		2%	HA4036-ALC	L1692002		1-	A	
L 3056	M.RFC	0.15uH		2%	HA4031-ALC	L1691992		1-	A	
L 3057	CHIP COIL	0.1uH		2%	C2520C-R10G-RA	L1691294		1-	A	
L 3058	CHIP COIL	0.15uH		2%	C2520C-R15G-RA	L1691296		1-	A	
L 3059	M.RFC	8.2uH		5%	1008LS-822XJLC	L1691482		1-	A	
L 3060	CHIP COIL	10uH		5%	NLV25T-100J-PF	L1691436		1-	A	
L 3061	CHIP COIL	0.18uH		2%	LQW2UASR18G00L	L1691944		1-	A	
L 3062	M.RFC	1000uH			LLM3225-102J	L1691157		1-	A	
L 3063	CHIP COIL	0.18uH		2%	LQW2UASR18G00L	L1691944		1-	A	
L 3064	M.RFC	1000uH			LLM3225-102J	L1691157		1-	A	
L 3065	CHIP COIL	27uH		5%	NLV25T-270J-PF	L1691441		1-	A	
L 3066	CHIP COIL	3.3uH		5%	NLV25T-3R3J-PF	L1691430		1-	A	
L 3067	M.RFC	1.2uH		2%	1008CS-122XGLC	L1691686		1-	A	
L 3068	M.RFC	0.18uH		2%	1008CS-181XGLC	L1691673		1-	A	
L 3069	M.RFC	1000uH			LLM3225-102J	L1691157		1-	A	
L 3070	CHIP COIL	8.2uH		5%	NLV25T-8R2J-PF	L1691435		1-	A	
L 3071	CHIP COIL	6.8uH		5%	NLV25T-6R8J-PF	L1691434		1-	A	
L 3072	CHIP COIL	3.9uH		5%	NLV25T-3R9J-PF	L1691431		1-	A	
L 3073	M.RFC	0.56uH		2%	1008CS-561XGLC	L1691679		1-	A	
L 3074	CHIP COIL	15uH		5%	NLV25T-150J-PF	L1691438		1-	A	
L 3075	CHIP COIL	0.1uH		2%	C2520C-R10G-RA	L1691294		1-	A	
L 3076	CHIP COIL	0.18uH		2%	C2520C-R18G-RA	L1691297		1-	A	
L 3077	CHIP COIL	27uH		5%	NLV25T-270J-PF	L1691441		1-	A	
L 3078	CHIP COIL	0.1uH		2%	C2520C-R10G-RA	L1691294		1-	A	
L 3079	M.RFC	0.18uH		2%	1008CS-181XGLC	L1691673		1-	A	
L 3080	CHIP COIL	27uH		5%	NLV25T-270J-PF	L1691441		1-	A	
L 3081	CHIP COIL	3.3uH		5%	NLV25T-3R3J-PF	L1691430		1-	A	
L 3082	M.RFC	1.2uH		2%	1008CS-122XGLC	L1691686		1-	A	

RX-1 Unit Parts List

REF	DESCRIPTION	VALUE	V/W	TOL.	MFR'S DESIG	YAESU P/N	VERS.	LOT	SIDE	LAY ADR
L 3083	CHIP COIL	15uH		5%	NLV25T-150J-PF	L1691438		1-	A	
L 3085	M.RFC	47uH			LLM3225-470J	L1691141		1-	A	
L 3087	M.RFC	470uH			LLM3225-471J	L1691153		1-	A	
L 3088	M.RFC	470uH			LLM3225-471J	L1691153		1-	A	
L 3089	M.RFC	470uH			LLM3225-471J	L1691153		1-	A	
L 3090	M.RFC	27uH		5%	1812CS-273XJLC	L1692038		1-	A	
L 3091	M.RFC	8.2uH		2%	1812CS-822XGLC	L1692026		1-	A	
L 3092	M.RFC	27uH		5%	1812CS-273XJLC	L1692038		1-	A	
L 3093	M.RFC	8.2uH		2%	1812CS-822XGLC	L1692026		1-	A	
L 3094	M.RFC	470uH			LLM3225-471J	L1691153		1-	A	
L 3095	M.RFC	470uH			LLM3225-471J	L1691153		1-	A	
L 3096	M.RFC	470uH			LLM3225-471J	L1691153		1-	A	
L 3099	M.RFC	1uH		5%	1812CS-102XJLC	L1692004		1-	A	
L 3100	M.RFC	1uH		5%	1812CS-102XJLC	L1692004		1-	A	
L 3103	M.RFC	47uH			LLM3225-470J	L1691141		1-	A	
L 3104	CHIP COIL	0.1uH		2%	LQW18ANR10G00D	L1690892		1-	A	
L 3107	CHIP COIL	0.1uH		2%	LQW18ANR10G00D	L1690892		1-	A	
L 3108	CHIP COIL	1uH		2%	LQW2UAS1R0G00L	L1691968		1-	A	
L 3109	M.RFC	150uH		5%	1812LS-154XJLC	L1691497		1-	A	
L 3110	CHIP COIL	0.15uH		2%	LQW18ANR15G00D	L1690894		1-	A	
L 3111	CHIP COIL	1uH		2%	LQW2UAS1R0G00L	L1691968		1-	A	
L 3112	M.RFC	47uH			LLM3225-470J	L1691141		1-	A	
L 3113	CHIP COIL	0.12uH		2%	C2520C-R12G-RA	L1691295		1-	A	
L 3114	CHIP COIL	0.33uH		2%	C2520C-R33G-RA	L1691300		1-	A	
L 3115	CHIP COIL	0.22uH		2%	C2520C-R22G-RA	L1691298		1-	A	
L 3116	CHIP COIL	0.18uH		2%	C2520C-R18G-RA	L1691297		1-	A	
L 3117	CHIP COIL	0.22uH		2%	C2520C-R22G-RA	L1691298		1-	A	
L 3119	CHIP COIL	0.47uH		2%	C2520C-R47G-RA	L1691302		1-	A	
L 3120	CHIP COIL	0.1uH		2%	C2520C-R10G-RA	L1691294		1-	A	
L 3121	CHIP COIL	0.47uH		2%	C2520C-R47G-RA	L1691302		1-	A	
L 3122	CHIP COIL	0.33uH		2%	C2520C-R33G-RA	L1691300		1-	A	
L 3124	M.RFC	18uH		5%	1812LS-183XJLC	L1691486		1-	A	
L 3125	COIL 10RF				CKD1012P-140604-VC	L0023262		1-	A	
L 3126	M.RFC	470uH			LLM3225-471J	L1691153		1-	A	
L 3127	M.RFC	470uH			LLM3225-471J	L1691153		1-	A	
L 3128	M.RFC	47uH			LLM3225-470J	L1691141		1-	A	
L 3129	M.RFC	470uH			LLM3225-471J	L1691153		1-	A	
L 3130	M.RFC	470uH			LLM3225-471J	L1691153		1-	A	
L 3131	M.RFC	4.7uH		5%	1812CS-472XJLC	L1692020		1-	A	
L 3132	M.RFC	4.7uH		5%	1812CS-472XJLC	L1692020		1-	A	
L 3133	CHIP COIL	0.22uH		2%	LQW18ANR22G00D	L1690896		1-	A	
L 3134	M.RFC	150uH		5%	1812LS-154XJLC	L1691497		1-	A	
L 3135	M.RFC	0.27uH		2%	0805CS-271XGLC	L1691639		1-	A	
L 3136	CHIP COIL	0.27uH		2%	C2520C-R27G-RA	L1691299		1-	A	
L 3137	CHIP COIL	0.18uH		2%	LQW18ANR18G00D	L1690895		1-	A	
L 3138	CHIP COIL	0.22uH		2%	LQW18ANR22G00D	L1690896		1-	A	
L 3139	CHIP COIL	0.18uH		2%	LQW18ANR18G00D	L1690895		1-	A	
P 3001	WIRE ASSY				U.FL(P)-2LP-068SD2-A-200	T9318378		1-		
P 3002	WIRE ASSY				CW-ASSY AH065H 190MM2P	T9207694		1-		
Q 3001	TRANSISTOR				UMD5N TR	G3070343		1-	A	
Q 3002	TRANSISTOR				UMD5N TR	G3070343		1-	A	
Q 3003	TRANSISTOR				55GN01CA-TB-E	G3070550		1-	A	
Q 3004	TRANSISTOR				UMD5N TR	G3070343		1-	A	
Q 3005	TRANSISTOR				DTC114EUA T106	G3070084		1-	A	
Q 3006	TRANSISTOR				DTC114EUA T106	G3070084		1-	A	
Q 3007	TRANSISTOR				DTC114EUA T106	G3070084		1-	A	
Q 3008	TRANSISTOR				DTC114EUA T106	G3070084		1-	A	
Q 3009	TRANSISTOR				DTC114EUA T106	G3070084		1-	A	
Q 3010	TRANSISTOR				DTC114EUA T106	G3070084		1-	A	
Q 3011	TRANSISTOR				DTC114EUA T106	G3070084		1-	A	
Q 3012	TRANSISTOR				DTC114EUA T106	G3070084		1-	A	
Q 3013	TRANSISTOR				DTC114EUA T106	G3070084		1-	A	
Q 3014	TRANSISTOR				DTC114EUA T106	G3070084		1-	A	
Q 3015	TRANSISTOR				DTC114EUA T106	G3070084		1-	A	
Q 3016	TRANSISTOR				UMD5N TR	G3070343		1-	A	
Q 3017	TRANSISTOR				DTC114EUA T106	G3070084		1-	A	
Q 3018	TRANSISTOR				DTC114EUA T106	G3070084		1-	A	
Q 3019	TRANSISTOR				DTC114EUA T106	G3070084		1-	A	
Q 3020	TRANSISTOR				DTC114EUA T106	G3070084		1-	A	
Q 3021	TRANSISTOR				DTC114EUA T106	G3070084		1-	A	
Q 3022	IC				BU2152FS(TAPE)	G1093942		1-	A	
Q 3023	TRANSISTOR				DTC114EUA T106	G3070084		1-	A	
Q 3024	TRANSISTOR				UMD5N TR	G3070343		1-	A	
Q 3025	TRANSISTOR				DTC114EUA T106	G3070084		1-	A	
Q 3026	TRANSISTOR				UMD5N TR	G3070343		1-	A	

RX-1 Unit Parts List

REF	DESCRIPTION	VALUE	V/W	TOL.	MFR'S DESIG	YAESU P/N	VERS.	LOT	SIDE	LAY ADR
Q 3027	TRANSISTOR				DTC114EUA T106	G3070084		1-	A	
Q 3028	IC				F2255NLGK8	G1095332		1-	A	
Q 3029	IC				TA75S01F(TE85R.F)	G1091593		1-	A	
Q 3030	TRANSISTOR				BFQ19SH6327	G3070552		1-	A	
Q 3032	FET				RD01MUS2-T513	G3070544		1-	A	
Q 3033	IC				F2255NLGK8	G1095332		1-	A	
Q 3034	IC				NJM78L05UA-TE1	G1091325		1-	A	
Q 3035	FET				3SK294(TE85L)	G4802948A		1-	A	
Q 3036	FET				3SK294(TE85L)	G4802948A		1-	A	
Q 3037	FET				3SK294(TE85L)	G4802948A		1-	A	
Q 3038	FET				3SK294(TE85L)	G4802948A		1-	A	
Q 3039	FET				3SK294(TE85L)	G4802948A		1-	A	
Q 3040	FET				3SK294(TE85L)	G4802948A		1-	A	
Q 3041	FET				3SK294(TE85L)	G4802948A		1-	A	
Q 3042	FET				3SK294(TE85L)	G4802948A		1-	A	
Q 3045	TRANSISTOR				BFQ19SH6327	G3070552		1-	A	
Q 3046	IC				BGA616H6327XTSA1	G1095085		1-	A	
Q 3047	IC				BD00HA3WEFJ-E2	G1095212		1-	A	
Q 3048	TRANSISTOR				2SD1664 T100 Q	G3416647Q		1-	A	
Q 3049	TRANSISTOR				BFQ19SH6327	G3070552		1-	A	
Q 3050	TRANSISTOR				2SB624-T2B BV3	G3206247C		1-	A	
Q 3051	TRANSISTOR				DTC114YUA T106	G3070298		1-	A	
Q 3052	IC				BGA616H6327XTSA1	G1095085		1-	A	
Q 3053	TRANSISTOR				DTC114EUA T106	G3070084		1-	A	
Q 3054	TRANSISTOR				2SD1664 T100 Q	G3416647Q		1-	A	
Q 3055	TRANSISTOR				BFQ19SH6327	G3070552		1-	A	
Q 3056	IC				BU2152FS(TAPE)	G1093942		1-	A	
Q 3057	TRANSISTOR				DTC114EUA T106	G3070084		1-	A	
Q 3058	IC				BGA616H6327XTSA1	G1095085		1-	A	
Q 3059	TRANSISTOR				2SD1664 T100 Q	G3416647Q		1-	A	
R 3001	CHIP RES.	470	1/4W	5%	RMC1/4 471JATP	J24245471		1-	A	
R 3002	CHIP RES.	220	1/10W	5%	RMC1/10T 221J	J24205221		1-	A	
R 3003	CHIP RES.	220	1/10W	5%	RMC1/10T 221J	J24205221		1-	A	
R 3004	CHIP RES.	330	1/10W	5%	RMC1/10T 331J	J24205331		1-	A	
R 3005	CHIP RES.	220	1/10W	5%	RMC1/10T 221J	J24205221		1-	A	
R 3006	CHIP RES.	220	1/10W	5%	RMC1/10T 221J	J24205221		1-	A	
R 3007	CHIP RES.	220	1/10W	5%	RMC1/10T 221J	J24205221		1-	A	
R 3008	CHIP RES.	220	1/10W	5%	RMC1/10T 221J	J24205221		1-	A	
R 3009	CHIP RES.	220	1/10W	5%	RMC1/10T 221J	J24205221		1-	A	
R 3010	CHIP RES.	220	1/10W	5%	RMC1/10T 221J	J24205221		1-	A	
R 3011	CHIP RES.	220	1/10W	5%	RMC1/10T 221J	J24205221		1-	A	
R 3012	CHIP RES.	220	1/10W	5%	RMC1/10T 221J	J24205221		1-	A	
R 3013	CHIP RES.	100	1/4W	5%	RMC1/4 101JATP	J24245101		1-	A	
R 3014	CHIP RES.	47	1/4W	5%	RMC1/4 470JATP	J24245470		1-	A	
R 3015	CHIP RES.	33	1/10W	5%	RMC1/10T 330J	J24205330		1-	A	
R 3016	CHIP RES.	100	1/16W	5%	RMC1/16 101JATP	J24185101		1-	A	
R 3017	CHIP RES.	56	1/4W	5%	RMC1/4 560JATP	J24245560		1-	A	
R 3018	CHIP RES.	150	1/4W	5%	RMC1/4 151JATP	J24245151		1-	A	
R 3019	CHIP RES.	220	1/10W	5%	RMC1/10T 221J	J24205221		1-	A	
R 3020	CHIP RES.	330	1/10W	5%	RMC1/10T 331J	J24205331		1-	A	
R 3021	CHIP RES.	33	1/10W	5%	RMC1/10T 330J	J24205330		1-	A	
R 3022	CHIP RES.	100	1/16W	5%	RMC1/16 101JATP	J24185101		1-	A	
R 3023	CHIP RES.	220	1/10W	5%	RMC1/10T 221J	J24205221		1-	A	
R 3024	CHIP RES.	47	1/4W	5%	RMC1/4 470JATP	J24245470		1-	A	
R 3026	CHIP RES.	100	1/16W	5%	RMC1/16 101JATP	J24185101		1-	A	
R 3027	CHIP RES.	82	1/4W	5%	RMC1/4 820JATP	J24245820		1-	A	
R 3028	CHIP RES.	220	1/10W	5%	RMC1/10T 221J	J24205221		1-	A	
R 3029	CHIP RES.	220	1/10W	5%	RMC1/10T 221J	J24205221		1-	A	
R 3030	CHIP RES.	220	1/10W	5%	RMC1/10T 221J	J24205221		1-	A	
R 3031	CHIP RES.	220	1/10W	5%	RMC1/10T 221J	J24205221		1-	A	
R 3032	CHIP RES.	220	1/10W	5%	RMC1/10T 221J	J24205221		1-	A	
R 3033	CHIP RES.	220	1/10W	5%	RMC1/10T 221J	J24205221		1-	A	
R 3034	CHIP RES.	220	1/10W	5%	RMC1/10T 221J	J24205221		1-	A	
R 3035	CHIP RES.	220	1/10W	5%	RMC1/10T 221J	J24205221		1-	A	
R 3036	CHIP RES.	0	1/16W	5%	RMC1/16 000JATP	J24185000		1-	A	
R 3037	CHIP RES.	220	1/16W	5%	RMC1/16 221JATP	J24185221		1-	A	
R 3038	CHIP RES.	100	1/4W	5%	RMC1/4 101JATP	J24245101		1-	A	
R 3039	CHIP RES.	1k	1/16W	5%	RMC1/16 102JATP	J24185102		1-	A	
R 3040	CHIP RES.	10	1/16W	5%	RMC1/16 100JATP	J24185100		1-	A	
R 3041	CHIP RES.	220	1/10W	5%	RMC1/10T 221J	J24205221		1-	A	
R 3042	CHIP RES.	10	1/16W	5%	RMC1/16 100JATP	J24185100		1-	A	
R 3043	CHIP RES.	100	1/16W	5%	RMC1/16 101JATP	J24185101		1-	A	
R 3044	CHIP RES.	33	1/10W	5%	RMC1/10T 330J	J24205330		1-	A	
R 3045	CHIP RES.	33	1/10W	5%	RMC1/10T 330J	J24205330		1-	A	
R 3046	CHIP RES.	33	1/10W	5%	RMC1/10T 330J	J24205330		1-	A	

RX-1 Unit

Parts List

REF	DESCRIPTION	VALUE	V/W	TOL.	MFR'S DESIG	YAESU P/N	VERS.	LOT	SIDE	LAY ADR
R 3047	CHIP RES.	33	1/10W	5%	RMC1/10T 330J	J24205330		1-	A	
R 3048	CHIP RES.	33	1/10W	5%	RMC1/10T 330J	J24205330		1-	A	
R 3049	CHIP RES.	33	1/10W	5%	RMC1/10T 330J	J24205330		1-	A	
R 3050	CHIP RES.	33	1/10W	5%	RMC1/10T 330J	J24205330		1-	A	
R 3051	CHIP RES.	33	1/10W	5%	RMC1/10T 330J	J24205330		1-	A	
R 3052	CHIP RES.	33	1/10W	5%	RMC1/10T 330J	J24205330		1-	A	
R 3053	CHIP RES.	33	1/10W	5%	RMC1/10T 330J	J24205330		1-	A	
R 3054	CHIP RES.	33	1/10W	5%	RMC1/10T 330J	J24205330		1-	A	
R 3055	CHIP RES.	100k	1/16W	5%	RMC1/16 104JATP	J24185104		1-	A	
R 3056	CHIP RES.	100k	1/16W	5%	RMC1/16 104JATP	J24185104		1-	A	
R 3057	CHIP RES.	100k	1/16W	5%	RMC1/16 104JATP	J24185104		1-	A	
R 3058	CHIP RES.	100k	1/16W	5%	RMC1/16 104JATP	J24185104		1-	A	
R 3059	CHIP RES.	100k	1/16W	5%	RMC1/16 104JATP	J24185104		1-	A	
R 3060	CHIP RES.	100k	1/16W	5%	RMC1/16 104JATP	J24185104		1-	A	
R 3061	CHIP RES.	100k	1/16W	5%	RMC1/16 104JATP	J24185104		1-	A	
R 3062	CHIP RES.	100k	1/16W	5%	RMC1/16 104JATP	J24185104		1-	A	
R 3063	CHIP RES.	100k	1/16W	5%	RMC1/16 104JATP	J24185104		1-	A	
R 3064	CHIP RES.	100k	1/16W	5%	RMC1/16 104JATP	J24185104		1-	A	
R 3065	CHIP RES.	100k	1/16W	5%	RMC1/16 104JATP	J24185104		1-	A	
R 3066	CHIP RES.	100	1/16W	5%	RMC1/16 101JATP	J24185101		1-	A	
R 3067	CHIP RES.	330	1/10W	5%	RMC1/10T 331J	J24205331		1-	A	
R 3068	CHIP RES.	33	1/10W	5%	RMC1/10T 330J	J24205330		1-	A	
R 3069	CHIP RES.	100k	1/16W	5%	RMC1/16 104JATP	J24185104		1-	A	
R 3070	CHIP RES.	100k	1/16W	5%	RMC1/16 104JATP	J24185104		1-	A	
R 3071	CHIP RES.	100k	1/16W	5%	RMC1/16 104JATP	J24185104		1-	A	
R 3072	CHIP RES.	100k	1/16W	5%	RMC1/16 104JATP	J24185104		1-	A	
R 3073	CHIP RES.	100k	1/16W	5%	RMC1/16 104JATP	J24185104		1-	A	
R 3074	CHIP RES.	33	1/10W	5%	RMC1/10T 330J	J24205330		1-	A	
R 3075	CHIP RES.	33	1/10W	5%	RMC1/10T 330J	J24205330		1-	A	
R 3076	CHIP RES.	33	1/10W	5%	RMC1/10T 330J	J24205330		1-	A	
R 3077	CHIP RES.	33	1/10W	5%	RMC1/10T 330J	J24205330		1-	A	
R 3078	CHIP RES.	33	1/10W	5%	RMC1/10T 330J	J24205330		1-	A	
R 3079	CHIP RES.	100	1/16W	5%	RMC1/16 101JATP	J24185101		1-	A	
R 3080	CHIP RES.	100k	1/16W	5%	RMC1/16 104JATP	J24185104		1-	A	
R 3081	CHIP RES.	33	1/10W	5%	RMC1/10T 330J	J24205330		1-	A	
R 3082	CHIP RES.	220	1/10W	5%	RMC1/10T 221J	J24205221		1-	A	
R 3083	CHIP RES.	220	1/10W	5%	RMC1/10T 221J	J24205221		1-	A	
R 3084	CHIP RES.	220	1/10W	5%	RMC1/10T 221J	J24205221		1-	A	
R 3085	CHIP RES.	220	1/10W	5%	RMC1/10T 221J	J24205221		1-	A	
R 3086	CHIP RES.	47k	1/16W	5%	RMC1/16 473JATP	J24185473		1-	A	
R 3087	CHIP RES.	330	1/10W	5%	RMC1/10T 331J	J24205331		1-	A	
R 3088	CHIP RES.	33	1/10W	5%	RMC1/10T 330J	J24205330		1-	A	
R 3089	CHIP RES.	220	1/10W	5%	RMC1/10T 221J	J24205221		1-	A	
R 3090	CHIP RES.	470	1/16W	5%	RMC1/16 471JATP	J24185471		1-	A	
R 3091	CHIP RES.	470	1/16W	5%	RMC1/16 471JATP	J24185471		1-	A	
R 3092	CHIP RES.	470	1/16W	5%	RMC1/16 471JATP	J24185471		1-	A	
R 3093	CHIP RES.	100k	1/16W	5%	RMC1/16 104JATP	J24185104		1-	A	
R 3094	CHIP RES.	100	1/16W	5%	RMC1/16 101JATP	J24185101		1-	A	
R 3095	CHIP RES.	33	1/10W	5%	RMC1/10T 330J	J24205330		1-	A	
R 3096	CHIP RES.	100k	1/16W	5%	RMC1/16 104JATP	J24185104		1-	A	
R 3097	CHIP RES.	33	1/10W	5%	RMC1/10T 330J	J24205330		1-	A	
R 3099	CHIP RES.	220	1/10W	5%	RMC1/10T 221J	J24205221		1-	A	
R 3100	CHIP RES.	220	1/10W	5%	RMC1/10T 221J	J24205221		1-	A	
R 3101	CHIP RES.	220	1/10W	5%	RMC1/10T 221J	J24205221		1-	A	
R 3102	CHIP RES.	220	1/10W	5%	RMC1/10T 221J	J24205221		1-	A	
R 3103	CHIP RES.	0	1/16W	5%	RMC1/16 000JATP	J24185000		1-	A	
R 3104	CHIP RES.	0	1/16W	5%	RMC1/16 000JATP	J24185000		1-	A	
R 3105	CHIP RES.	0	1/16W	5%	RMC1/16 000JATP	J24185000		1-	A	
R 3106	CHIP RES.	100	1/16W	5%	RMC1/16 101JATP	J24185101		1-	A	
R 3107	CHIP RES.	100	1/16W	5%	RMC1/16 101JATP	J24185101		1-	A	
R 3108	CHIP RES.	4.7k	1/16W	5%	RMC1/16 472JATP	J24185472		1-	A	
R 3109	CHIP RES.	330	1/10W	5%	RMC1/10T 331J	J24205331		1-	A	
R 3110	CHIP RES.	10k	1/16W	5%	RMC1/16 103JATP	J24185103		1-	A	
R 3111	CHIP RES.	5.6k	1/16W	5%	RMC1/16 562JATP	J24185562		1-	A	
R 3112	CHIP RES.	0	1/16W	5%	RMC1/16 000JATP	J24185000		1-	A	
R 3113	CHIP RES.	47k	1/16W	5%	RMC1/16 473JATP	J24185473		1-	A	
R 3114	CHIP RES.	47	1/4W	5%	RMC1/4 470JATP	J24245470		1-	A	
R 3115	CHIP RES.	1M	1/16W	5%	RMC1/16 105JATP	J24185105		1-	A	
R 3116	CHIP RES.	100	1/16W	5%	RMC1/16 101JATP	J24185101		1-	A	
R 3117	CHIP RES.	220	1/10W	5%	RMC1/10T 221J	J24205221		1-	A	
R 3118	CHIP RES.	220	1/10W	5%	RMC1/10T 221J	J24205221		1-	A	
R 3119	CHIP RES.	220	1/10W	5%	RMC1/10T 221J	J24205221		1-	A	
R 3120	CHIP RES.	8.2k	1/16W	5%	RMC1/16 822JATP	J24185822		1-	A	
R 3121	CHIP RES.	0	1/10W	5%	RMC1/10T 000J	J24205000		1-	A	
R 3122	CHIP RES.	330	1/16W	5%	RMC1/16 331JATP	J24185331		1-	A	

RX-1 Unit

Parts List

REF	DESCRIPTION	VALUE	V/W	TOL.	MFR'S DESIG	YAESU P/N	VERS.	LOT	SIDE	LAY ADR
R 3123	CHIP RES.	820	1/16W	5%	RMC1/16 821JATP	J24185821		1-	A	
R 3125	CHIP RES.	15k	1/16W	5%	RMC1/16 153JATP	J24185153		1-	A	
R 3126	CHIP RES.	27k	1/16W	5%	RMC1/16 273JATP	J24185273		1-	A	
R 3127	CHIP RES.	100k	1/16W	5%	RMC1/16 104JATP	J24185104		1-	A	
R 3128	CHIP RES.	15	1/16W	5%	RMC1/16 150JATP	J24185150		1-	A	
R 3129	CHIP RES.	4.7	1/16W	5%	RMC1/16 4R7JATP	J24185479		1-	A	
R 3130	CHIP RES.	27k	1/16W	5%	RMC1/16 273JATP	J24185273		1-	A	
R 3131	CHIP RES.	100k	1/16W	5%	RMC1/16 104JATP	J24185104		1-	A	
R 3132	CHIP RES.	10	1/16W	5%	RMC1/16 100JATP	J24185100		1-	A	
R 3134	CHIP RES.	10	1/10W	5%	RMC1/10T 100J	J24205100		1-	A	
R 3135	CHIP RES.	10	1/10W	5%	RMC1/10T 100J	J24205100		1-	A	
R 3137	CHIP RES.	100	1/16W	1%	RMC1/16 101FTP	J24183101		1-	A	
R 3138	CHIP RES.	47	1/10W	5%	RMC1/10T 470J	J24205470		1-	A	
R 3139	CHIP RES.	4.7k	1/16W	5%	RMC1/16 472JATP	J24185472		1-	A	
R 3140	CHIP RES.	33	1/16W	1%	RMC1/16 330FTP	J24183330		1-	A	
R 3141	CHIP RES.	33	1/16W	1%	RMC1/16 330FTP	J24183330		1-	A	
R 3142	CHIP RES.	33	1/16W	1%	RMC1/16 330FTP	J24183330		1-	A	
R 3143	CHIP RES.	33	1/16W	1%	RMC1/16 330FTP	J24183330		1-	A	
R 3145	CHIP RES.	10k	1/16W	5%	RMC1/16 103JATP	J24185103		1-	A	
R 3146	CHIP RES.	22k	1/16W	1%	RMC1/16 223FTP	J24183223		1-	A	
R 3148	CHIP RES.	47k	1/16W	1%	RMC1/16 473FTP	J24183473		1-	A	
R 3149	CHIP RES.	22k	1/16W	5%	RMC1/16 223JATP	J24185223		1-	A	
R 3151	CHIP RES.	100	1/16W	5%	RMC1/16 101JATP	J24185101		1-	A	
R 3153	CHIP RES.	5.6k	1/16W	5%	RMC1/16 562JATP	J24185562		1-	A	
R 3154	CHIP RES.	0	1/16W	5%	RMC1/16 000JATP	J24185000		1-	A	
R 3155	CHIP RES.	47k	1/16W	1%	RMC1/16 473FTP	J24183473		1-	A	
R 3156	CHIP RES.	220	1/10W	5%	RMC1/10T 221J	J24205221		1-	A	
R 3157	CHIP RES.	6.8k	1/16W	5%	RMC1/16 682JATP	J24185682		1-	A	
R 3158	CHIP RES.	22k	1/16W	1%	RMC1/16 223FTP	J24183223		1-	A	
R 3159	CHIP RES.	390	1/16W	1%	RMC1/16 391FTP	J24183391		1-	A	
R 3160	CHIP RES.	390	1/16W	1%	RMC1/16 391FTP	J24183391		1-	A	
R 3161	CHIP RES.	390	1/16W	1%	RMC1/16 391FTP	J24183391		1-	A	
R 3162	CHIP RES.	390	1/16W	1%	RMC1/16 391FTP	J24183391		1-	A	
R 3163	CHIP RES.	220	1/10W	5%	RMC1/10T 221J	J24205221		1-	A	
R 3164	CHIP RES.	220	1/10W	5%	RMC1/10T 221J	J24205221		1-	A	
R 3165	CHIP RES.	4.7	1/16W	5%	RMC1/16 4R7JATP	J24185479		1-	A	
R 3166	CHIP RES.	100	1/16W	1%	RMC1/16 101FTP	J24183101		1-	A	
R 3167	CHIP RES.	4.7	1/16W	5%	RMC1/16 4R7JATP	J24185479		1-	A	
R 3170	CHIP RES.	0	1/16W	5%	RMC1/16 000JATP	J24185000		1-	A	
R 3177	CHIP RES.	15k	1/16W	5%	RMC1/16 153JATP	J24185153		1-	A	
R 3178	CHIP RES.	51	1/16W	1%	RMC1/16 510FTP	J24183510		1-	A	
R 3182	CHIP RES.	330	1/10W	5%	RMC1/10T 331J	J24205331		1-	A	
R 3183	CHIP RES.	51	1/16W	1%	RMC1/16 510FTP	J24183510		1-	A	
R 3186	CHIP RES.	5.6k	1/16W	1%	RMC1/16 562FTP	J24183562		1-	A	
R 3187	CHIP RES.	47	1/4W	5%	RMC1/4 470JATP	J24245470		1-	A	
R 3188	CHIP RES.	100	1/16W	5%	RMC1/16 101JATP	J24185101		1-	A	
R 3189	CHIP RES.	100	1/16W	5%	RMC1/16 101JATP	J24185101		1-	A	
R 3190	CHIP RES.	43k	1/16W	1%	RMC1/16 433FTP	J24183433		1-	A	
R 3192	CHIP RES.	0	1/10W	5%	RMC1/10T 000J	J24205000		1-	A	
R 3193	CHIP RES.	330	1/16W	5%	RMC1/16 331JATP	J24185331		1-	A	
R 3194	CHIP RES.	1.8k	1/16W	5%	RMC1/16 182JATP	J24185182		1-	A	
R 3197	CHIP RES.	100	1/16W	5%	RMC1/16 101JATP	J24185101		1-	A	
R 3200	CHIP RES.	68	1/16W	5%	RMC1/16 680JATP	J24185680		1-	A	
R 3201	CHIP RES.	100	1/16W	5%	RMC1/16 101JATP	J24185101		1-	A	
R 3202	CHIP RES.	10	1/10W	5%	RMC1/10T 100J	J24205100		1-	A	
R 3203	CHIP RES.	10	1/10W	5%	RMC1/10T 100J	J24205100		1-	A	
R 3204	CHIP RES.	100	1/16W	5%	RMC1/16 101JATP	J24185101		1-	A	
R 3205	CHIP RES.	10	1/16W	5%	RMC1/16 100JATP	J24185100		1-	A	
R 3207	CHIP RES.	120	1/16W	5%	RMC1/16 121JATP	J24185121		1-	A	
R 3208	CHIP RES.	10	1/16W	5%	RMC1/16 100JATP	J24185100		1-	A	
R 3211	CHIP RES.	51	1/16W	1%	RMC1/16 510FTP	J24183510		1-	A	
R 3212	CHIP RES.	6.8k	1/16W	5%	RMC1/16 682JATP	J24185682		1-	A	
R 3213	CHIP RES.	68	1/16W	5%	RMC1/16 680JATP	J24185680		1-	A	
R 3214	CHIP RES.	6.8k	1/16W	5%	RMC1/16 682JATP	J24185682		1-	A	
R 3219	CHIP RES.	330	1/16W	5%	RMC1/16 331JATP	J24185331		1-	A	
R 3220	CHIP RES.	18	1/16W	5%	RMC1/16 180JATP	J24185180		1-	A	
R 3221	CHIP RES.	330	1/16W	5%	RMC1/16 331JATP	J24185331		1-	A	
R 3223	CHIP RES.	33	1/4W	5%	RMC1/4 330JATP	J24245330		1-	A	
R 3224	CHIP RES.	33	1/4W	5%	RMC1/4 330JATP	J24245330		1-	A	
R 3236	CHIP RES.	470	1/16W	5%	RMC1/16 471JATP	J24185471		1-	A	
R 3237	CHIP RES.	100k	1/16W	5%	RMC1/16 104JATP	J24185104		1-	A	
R 3238	CHIP RES.	47	1/4W	5%	RMC1/4 470JATP	J24245470		1-	A	
R 3239	CHIP RES.	100	1/16W	5%	RMC1/16 101JATP	J24185101		1-	A	
R 3240	CHIP RES.	0	1/10W	5%	RMC1/10T 000J	J24205000		1-	A	
R 3241	CHIP RES.	330	1/16W	5%	RMC1/16 331JATP	J24185331		1-	A	

RX-1 Unit

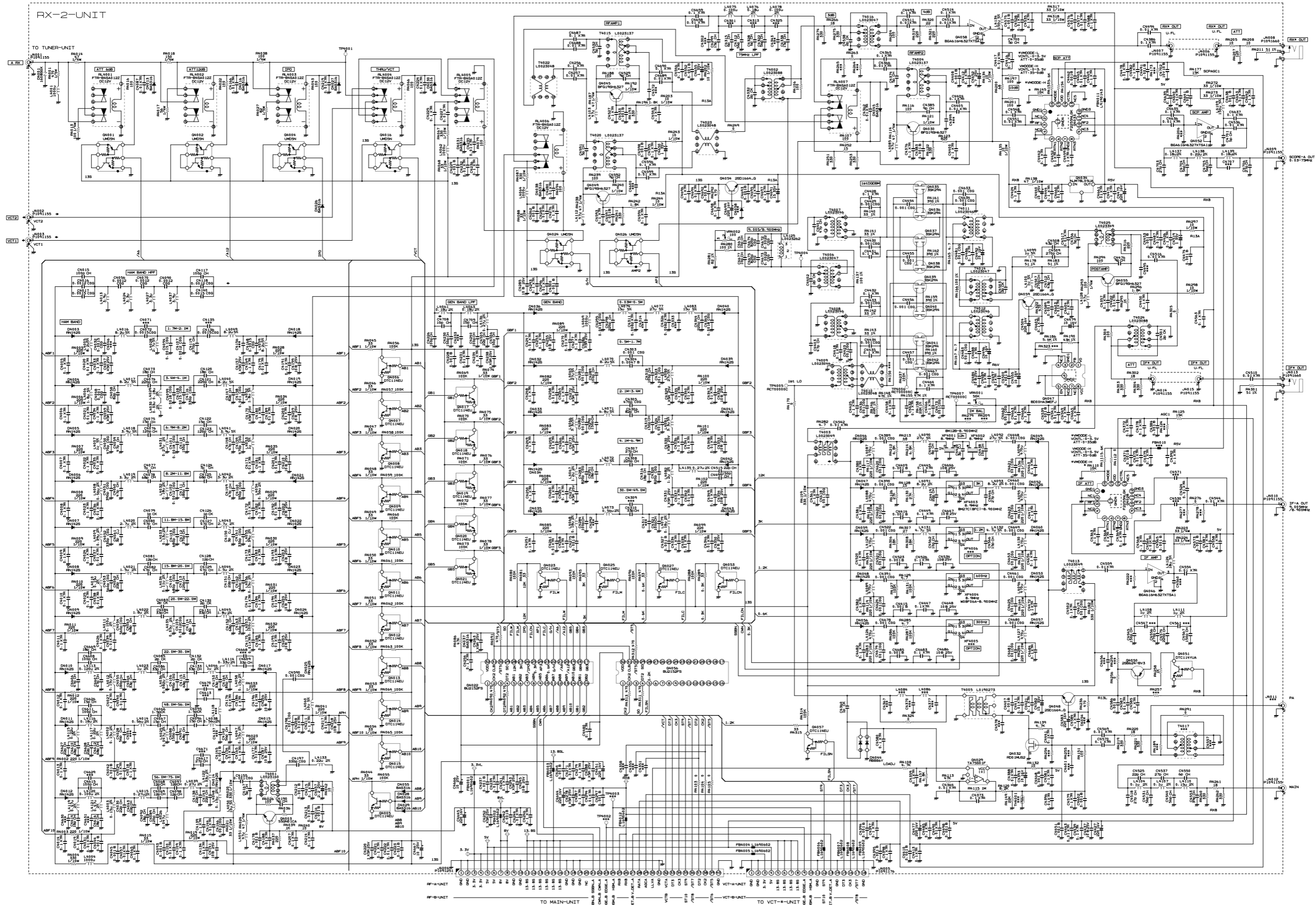
Parts List

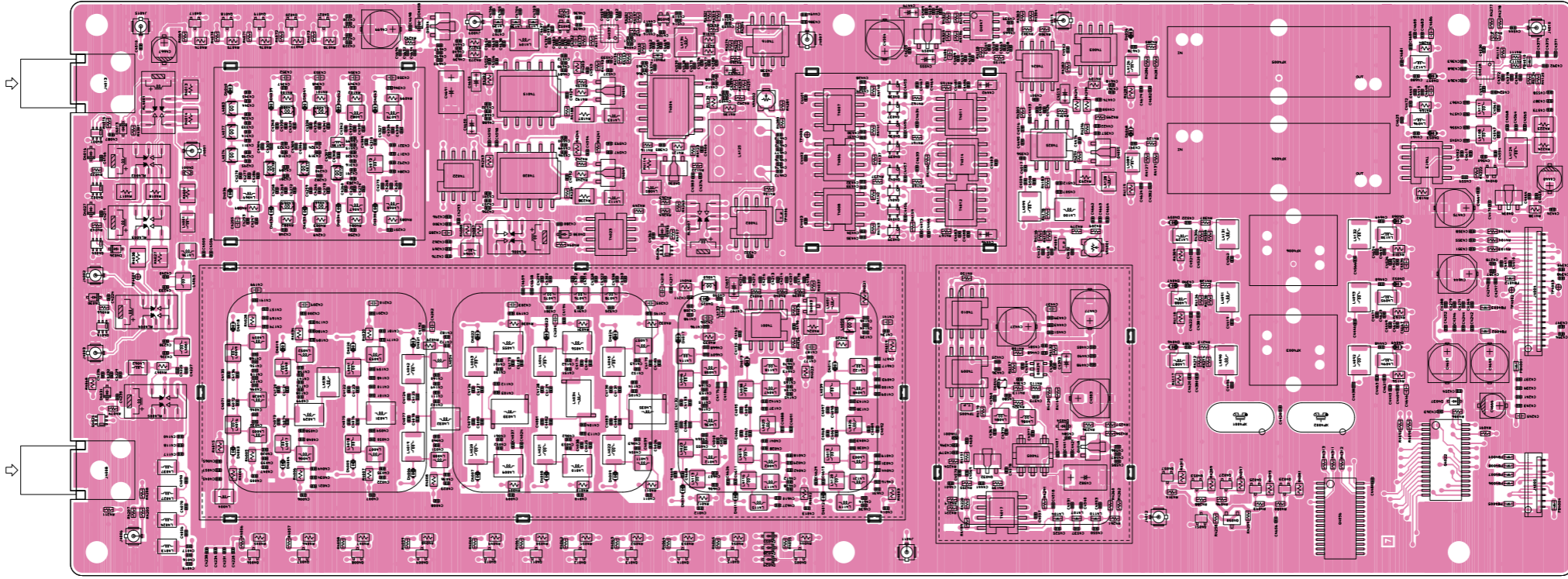
REF	DESCRIPTION	VALUE	V/W	TOL.	MFR'S DESIG	YAESU P/N	VERS.	LOT	SIDE	LAY ADR
R 3242	CHIP RES.	1.8k	1/16W	5%	RMC1/16 182JATP	J24185182		1-	A	
R 3243	CHIP RES.	10	1/10W	5%	RMC1/10T 100J	J24205100		1-	A	
R 3244	CHIP RES.	10	1/10W	5%	RMC1/10T 100J	J24205100		1-	A	
R 3249	CHIP RES.	0	1/16W	5%	RMC1/16 000JATP	J24185000		1-	A	
R 3251	CHIP RES.	330	1/16W	5%	RMC1/16 331JATP	J24185331		1-	A	
R 3252	CHIP RES.	15	1/16W	5%	RMC1/16 150JATP	J24185150		1-	A	
R 3253	CHIP RES.	330	1/16W	5%	RMC1/16 331JATP	J24185331		1-	A	
R 3256	CHIP RES.	0	1/16W	5%	RMC1/16 000JATP	J24185000		1-	A	
R 3258	CHIP RES.	1k	1/16W	5%	RMC1/16 102JATP	J24185102		1-	A	
R 3261	CHIP RES.	0	1/16W	5%	RMC1/16 000JATP	J24185000		1-	A	
R 3263	CHIP RES.	0	1/16W	5%	RMC1/16 000JATP	J24185000		1-	A	
R 3266	CHIP RES.	18	1/16W	5%	RMC1/16 180JATP	J24185180		1-	A	
R 3272	CHIP RES.	33	1/10W	5%	RMC1/10T 330J	J24205330		1-	A	
R 3273	CHIP RES.	33	1/10W	5%	RMC1/10T 330J	J24205330		1-	A	
R 3274	CHIP RES.	330	1/16W	5%	RMC1/16 331JATP	J24185331		1-	A	
R 3275	CHIP RES.	330	1/16W	5%	RMC1/16 331JATP	J24185331		1-	A	
R 3276	CHIP RES.	0	1/16W	5%	RMC1/16 000JATP	J24185000		1-	A	
R 3280	CHIP RES.	100	1/16W	1%	RMC1/16 101FTP	J24183101		1-	A	
R 3281	CHIP RES.	82	1/16W	1%	RMC1/16 820FTP	J24183820		1-	A	
R 3282	CHIP RES.	4.7	1/16W	5%	RMC1/16 4R7JATP	J24185479		1-	A	
R 3283	CHIP RES.	220	1/10W	5%	RMC1/10T 221J	J24205221		1-	A	
R 3284	CHIP RES.	220	1/10W	5%	RMC1/10T 221J	J24205221		1-	A	
R 3285	CHIP RES.	4.7	1/16W	5%	RMC1/16 4R7JATP	J24185479		1-	A	
R 3286	CHIP RES.	100k	1/16W	5%	RMC1/16 104JATP	J24185104		1-	A	
R 3287	CHIP RES.	100k	1/16W	5%	RMC1/16 104JATP	J24185104		1-	A	
R 3288	CHIP RES.	100k	1/16W	5%	RMC1/16 104JATP	J24185104		1-	A	
R 3289	CHIP RES.	33	1/10W	5%	RMC1/10T 330J	J24205330		1-	A	
R 3292	CHIP RES.	470	1/16W	5%	RMC1/16 471JATP	J24185471		1-	A	
R 3293	CHIP RES.	100	1/4W	5%	RMC1/4 101JATP	J24245101		1-	A	
R 3294	CHIP RES.	100	1/16W	5%	RMC1/16 101JATP	J24185101		1-	A	
R 3295	CHIP RES.	1k	1/16W	5%	RMC1/16 102JATP	J24185102		1-	A	
R 3296	CHIP RES.	1.8k	1/16W	5%	RMC1/16 182JATP	J24185182		1-	A	
R 3297	CHIP RES.	10	1/10W	5%	RMC1/10T 100J	J24205100		1-	A	
R 3298	CHIP RES.	10	1/10W	5%	RMC1/10T 100J	J24205100		1-	A	
R 3300	CHIP RES.	100	1/16W	5%	RMC1/16 101JATP	J24185101		1-	A	
R 3301	CHIP RES.	51	1/16W	1%	RMC1/16 510FTP	J24183510		1-	A	
R 3302	CHIP RES.	18	1/16W	5%	RMC1/16 180JATP	J24185180		1-	A	
R 3303	CHIP RES.	330	1/16W	5%	RMC1/16 331JATP	J24185331		1-	A	
R 3304	CHIP RES.	330	1/16W	5%	RMC1/16 331JATP	J24185331		1-	A	
R 3305	CHIP RES.	0	1/16W	5%	RMC1/16 000JATP	J24185000		1-	A	
R 3306	CHIP RES.	18k	1/16W	5%	RMC1/16 183JATP	J24185183		1-	A	
R 3307	CHIP RES.	27	1/16W	5%	RMC1/16 270JATP	J24185270		1-	A	
R 3308	CHIP RES.	18k	1/16W	5%	RMC1/16 183JATP	J24185183		1-	A	
R 3309	CHIP RES.	220	1/10W	5%	RMC1/10T 221J	J24205221		1-	A	
R 3310	CHIP RES.	220	1/10W	5%	RMC1/10T 221J	J24205221		1-	A	
R 3311	CHIP RES.	470	1/16W	5%	RMC1/16 471JATP	J24185471		1-	A	
R 3312	CHIP RES.	470	1/16W	5%	RMC1/16 471JATP	J24185471		1-	A	
R 3313	CHIP RES.	470	1/16W	5%	RMC1/16 471JATP	J24185471		1-	A	
R 3314	CHIP RES.	100k	1/16W	5%	RMC1/16 104JATP	J24185104		1-	A	
R 3315	CHIP RES.	33	1/10W	5%	RMC1/10T 330J	J24205330		1-	A	
R 3316	CHIP RES.	220	1/16W	5%	RMC1/16 221JATP	J24185221		1-	A	
R 3317	CHIP RES.	33	1/10W	5%	RMC1/10T 330J	J24205330		1-	A	
R 3318	CHIP RES.	33	1/10W	5%	RMC1/10T 330J	J24205330		1-	A	
R 3319	CHIP RES.	220	1/16W	5%	RMC1/16 221JATP	J24185221		1-	A	
R 3320	CHIP RES.	22	1/16W	5%	RMC1/16 220JATP	J24185220		1-	A	
R 3321	CHIP RES.	220	1/16W	5%	RMC1/16 221JATP	J24185221		1-	A	
R 3322	CHIP RES.	470	1/16W	5%	RMC1/16 471JATP	J24185471		1-	A	
R 3324	CHIP RES.	0	1/16W	5%	RMC1/16 000JATP	J24185000		1-	A	
RL3001	RELAY		DC12V		FTR-B4SA012Z-B05	M1190209		1-	A	
RL3002	RELAY		DC12V		FTR-B4SA012Z-B05	M1190209		1-	A	
RL3003	RELAY		DC12V		FTR-B4SA012Z-B05	M1190209		1-	A	
RL3004	RELAY		DC12V		FTR-B4SA012Z-B05	M1190209		1-	A	
RL3005	RELAY		DC12V		FTR-B4SA012Z-B05	M1190209		1-	A	
RL3006	RELAY		DC12V		FTR-B4SA012Z-B05	M1190209		1-	A	
RL3007	RELAY		DC12V		FTR-B4SA012Z-B05	M1190209		1-	A	
T 3001	BALUN TRANSFORMERS				120491012A	L0023160		1-	A	
T 3002	BALUN TRANSFORMERS				100812913A	L0023088		1-	A	
T 3003	BALUN TRANSFORMERS				080812769	L0023049		1-	A	
T 3004	BALUN TRANSFORMERS				100812947	L0023137		1-	A	
T 3005	BALUN TRANSFORMERS				#458PT-1565	L0190273		1-	A	
T 3006	BALUN TRANSFORMERS				070812736D	L0023047		1-	A	
T 3007	BALUN TRANSFORMERS				070812735D	L0023046		1-	A	
T 3008	BALUN TRANSFORMERS				070812735D	L0023046		1-	A	
T 3009	BALUN TRANSFORMERS				070812735D	L0023046		1-	A	
T 3010	BALUN TRANSFORMERS				070812737B	L0023048		1-	A	

RX-1 Unit Parts List

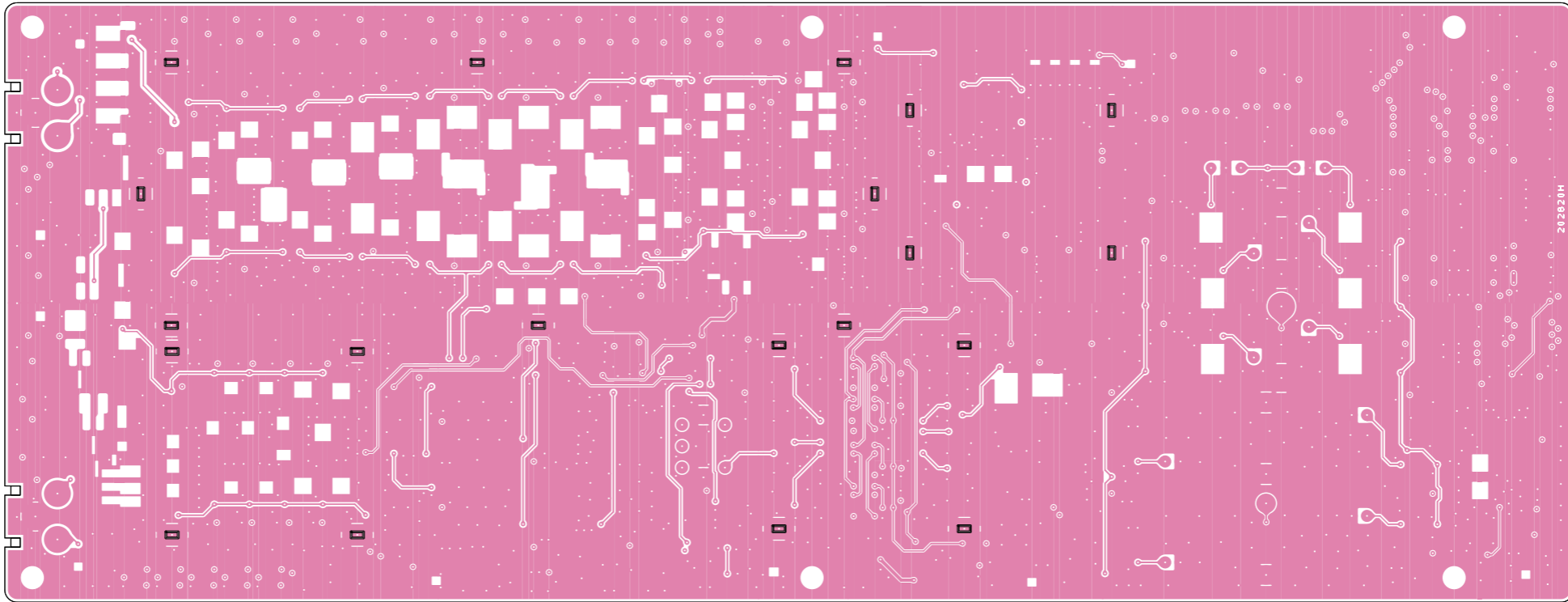
REF	DESCRIPTION	VALUE	V/W	TOL.	MFR'S DESIG	YAESU P/N	VERS.	LOT	SIDE	LAY ADR
T 3011	BALUN TRANSFOMERS				070812735D	L0023046		1-	A	
T 3012	BALUN TRANSFOMERS				070812735D	L0023046		1-	A	
T 3013	BALUN TRANSFOMERS				080812769	L0023049		1-	A	
T 3014	BALUN TRANSFOMERS				070812736D	L0023047		1-	A	
T 3015	BALUN TRANSFOMERS				100812947	L0023137		1-	A	
T 3016	BALUN TRANSFOMERS				070812736D	L0023047		1-	A	
T 3017	BALUN TRANSFOMERS				070812736D	L0023047		1-	A	
T 3020	BALUN TRANSFOMERS				100812947	L0023137		1-	A	
T 3022	BALUN TRANSFOMERS				070812737B	L0023048		1-	A	
T 3023	BALUN TRANSFOMERS				070812737B	L0023048		1-	A	
T 3024	BALUN TRANSFOMERS				100812913A	L0023088		1-	A	
T 3025	BALUN TRANSFOMERS				180491068	L0023349		1-	A	
TP3005	CHECK TERMINAL				RCTCTE	Q5000103		1-	A	
TP3006	CHECK TERMINAL				RCTCTE	Q5000103		1-	A	
TP3007	CHECK TERMINAL				RCTCTE	Q5000103		1-	A	
VR3001	POT.	50k			VG039NCHXTB503	J51846503		1-	A	
VR3002	POT.	100			VG039NSNXTB101	J51848101		1-	A	
XF3001	XTAL FILTER	9.005MHz			9M12B2-9.005MHZ	H1102522		1-	A	
XF3002	XTAL FILTER	9.005MHz			9M12B2-9.005MHZ	H1102522		1-	A	
XF3003	XTAL FILTER	9.005MHz			9M27C2(9FC2)9.005MHZ	H1102524		1-	A	
XF3004	XTAL FILTER	9.005MHz			W09F06B-9.005MHZ	H1102526A		1-	A	
	SHIELD CASE				(BPF)	RA0961600		1-		
	SHIELD CASE COVER				(BPF)	RA0961700		1-		
	SHIELD CASE				(33X47)	RA0830500		1-		
	SHIELD CASE COVER				(33X47)	RA0830600		1-		
	SHIELD CASE				(37x30.5)	RA6079500		1-		
	SHIELD CASE COVER				(37x30.5)	RA1152400		1-		

RX-2 Unit Circuit Diagram





side A



side B

RX-2 Unit

Parts List

REF	DESCRIPTION	VALUE	V/W	TOL.	MFR'S DESIG	YAESU P/N	VERS.	LOT	SIDE	LAY ADR
C 4005	CHIP CAP.	0.1uF	50V	X7R	GRM155R71H104KE14D	K22178872		1-	A	
C 4006	CHIP CAP.	0.1uF	50V	X7R	GRM155R71H104KE14D	K22178872		1-	A	
C 4007	CHIP CAP.	0.1uF	50V	X7R	GRM155R71H104KE14D	K22178872		1-	A	
C 4008	CHIP CAP.	0.1uF	50V	X7R	GRM155R71H104KE14D	K22178872		1-	A	
C 4009	CHIP CAP.	0.1uF	50V	X7R	GRM155R71H104KE14D	K22178872		1-	A	
C 4010	CHIP CAP.	0.1uF	50V	X7R	GRM155R71H104KE14D	K22178872		1-	A	
C 4011	CHIP CAP.	0.1uF	50V	X7R	GRM155R71H104KE14D	K22178872		1-	A	
C 4012	CHIP CAP.	0.1uF	50V	X7R	GRM155R71H104KE14D	K22178872		1-	A	
C 4013	CHIP CAP.	0.1uF	50V	X7R	GRM155R71H104KE14D	K22178872		1-	A	
C 4014	CHIP CAP.	0.1uF	50V	X7R	GRM155R71H104KE14D	K22178872		1-	A	
C 4015	CHIP CAP.	100pF	50V	CH	GRM1552C1H101JA01D	K22178236		1-	A	
C 4016	CHIP CAP.	0.0012uF	50V	C0G	GRM1555C1H122JA01D	K22179758		1-	A	
C 4017	CHIP CAP.	0.0015uF	50V	C0G	GRM1555C1H152JA01D	K22179760		1-	A	
C 4018	CHIP CAP.	0.1uF	50V	X7R	GRM155R71H104KE14D	K22178872		1-	A	
C 4019	CHIP CAP.	0.1uF	50V	X7R	GRM155R71H104KE14D	K22178872		1-	A	
C 4020	CHIP CAP.	0.01uF	50V	X7R	GRM155R71H103KA88D	K22178848		1-	A	
C 4021	CHIP CAP.	0.01uF	50V	X7R	GRM155R71H103KA88D	K22178848		1-	A	
C 4022	CHIP CAP.	0.1uF	50V	X7R	GRM155R71H104KE14D	K22178872		1-	A	
C 4023	CHIP CAP.	0.1uF	50V	X7R	GRM155R71H104KE14D	K22178872		1-	A	
C 4024	CHIP CAP.	0.1uF	50V	X7R	GRM155R71H104KE14D	K22178872		1-	A	
C 4025	CHIP CAP.	0.1uF	50V	X7R	GRM155R71H104KE14D	K22178872		1-	A	
C 4026	CHIP CAP.	0.1uF	50V	X7R	GRM155R71H104KE14D	K22178872		1-	A	
C 4027	CHIP CAP.	0.1uF	50V	X7R	GRM155R71H104KE14D	K22178872		1-	A	
C 4028	CHIP CAP.	56pF	50V	CH	GRM1552C1H560JA01D	K22178230		1-	A	
C 4029	CHIP CAP.	0.01uF	50V	X7R	GRM155R71H103KA88D	K22178848		1-	A	
C 4030	CHIP CAP.	22pF	50V	CH	GRM1552C1H220JA01D	K22178220		1-	A	
C 4031	CHIP CAP.	0.01uF	50V	X7R	GRM155R71H103KA88D	K22178848		1-	A	
C 4032	CHIP CAP.	0.0015uF	50V	C0G	GRM1555C1H152JA01D	K22179760		1-	A	
C 4033	CHIP CAP.	0.1uF	50V	X7R	GRM155R71H104KE14D	K22178872		1-	A	
C 4034	CHIP CAP.	0.1uF	50V	X7R	GRM155R71H104KE14D	K22178872		1-	A	
C 4035	CHIP CAP.	0.01uF	50V	X7R	GRM155R71H103KA88D	K22178848		1-	A	
C 4036	CHIP CAP.	0.01uF	50V	X7R	GRM155R71H103KA88D	K22178848		1-	A	
C 4037	CHIP CAP.	0.01uF	50V	X7R	GRM155R71H103KA88D	K22178848		1-	A	
C 4038	CHIP CAP.	0.01uF	50V	X7R	GRM155R71H103KA88D	K22178848		1-	A	
C 4039	CHIP CAP.	0.01uF	50V	X7R	GRM155R71H103KA88D	K22178848		1-	A	
C 4040	CHIP CAP.	0.01uF	50V	X7R	GRM155R71H103KA88D	K22178848		1-	A	
C 4042	CHIP CAP.	0.001uF	50V	B	GRM155B11H102KA01D	K22178809		1-	A	
C 4043	CHIP CAP.	22pF	50V	CH	GRM1552C1H220JA01D	K22178220		1-	A	
C 4044	CHIP CAP.	0.001uF	50V	B	GRM155B11H102KA01D	K22178809		1-	A	
C 4045	CHIP CAP.	0.001uF	50V	B	GRM155B11H102KA01D	K22178809		1-	A	
C 4047	CHIP CAP.	1uF	25V	X5R	GRM155R61E105KE11D	K22149010		1-	A	
C 4048	CHIP CAP.	0.001uF	50V	C0G	GRM1555C1H102JA01D	K22179756		1-	A	
C 4049	CHIP CAP.	1uF	25V	X5R	GRM155R61E105KE11D	K22149010		1-	A	
C 4050	CHIP CAP.	470pF	50V	C0G	GRM1555C1H471JA01D	K22179748		1-	A	
C 4051	CHIP CAP.	390pF	50V	C0G	GRM1555C1H391JA01D	K22179746		1-	A	
C 4052	CHIP CAP.	330pF	50V	C0G	GRM1555C1H331JA01D	K22179744		1-	A	
C 4053	CHIP CAP.	560pF	50V	C0G	GRM1555C1H561JA01D	K22179750		1-	A	
C 4054	CHIP CAP.	560pF	50V	C0G	GRM1555C1H561JA01D	K22179750		1-	A	
C 4055	CHIP CAP.	180pF	50V	CH	GRM1552C1H181JA01D	K22179711		1-	A	
C 4056	CHIP CAP.	0.0012uF	50V	C0G	GRM1555C1H122JA01D	K22179758		1-	A	
C 4057	CHIP CAP.	0.01uF	50V	X7R	GRM155R71H103KA88D	K22178848		1-	A	
C 4058	CHIP CAP.	82pF	50V	CH	GRM1552C1H820JA01D	K22178234		1-	A	
C 4059	CHIP CAP.	47pF	50V	CH	GRM1552C1H470JA01D	K22178228		1-	A	
C 4060	CHIP CAP.	47pF	50V	CH	GRM1552C1H470JA01D	K22178228		1-	A	
C 4061	CHIP CAP.	3pF	50V	CJ	GRM1553C1H3R0BA01D	K22178290		1-	A	
C 4062	CHIP CAP.	22pF	50V	CH	GRM1552C1H220JA01D	K22178220		1-	A	
C 4063	CHIP CAP.	68pF	50V	CH	GRM1552C1H680JA01D	K22178232		1-	A	
C 4064	CHIP CAP.	33pF	50V	CH	GRM1552C1H330JA01D	K22178224		1-	A	
C 4065	CHIP CAP.	0.1uF	50V	X7R	GRM155R71H104KE14D	K22178872		1-	A	
C 4066	CHIP CAP.	1.5pF	50V	CK	GRM1554C1H1R5CA01D	K22178203		1-	A	
C 4067	CHIP CAP.	15pF	50V	CH	GRM1552C1H150JA01D	K22178216		1-	A	
C 4068	CHIP CAP.	12pF	50V	CH	GRM1552C1H120JA01D	K22178214		1-	A	
C 4069	CHIP CAP.	12pF	50V	CH	GRM1552C1H120JA01D	K22178214		1-	A	
C 4070	CHIP CAP.	0.0012uF	50V	C0G	GRM1555C1H122JA01D	K22179758		1-	A	
C 4072	CHIP CAP.	0.0015uF	50V	C0G	GRM1555C1H152JA01D	K22179760		1-	A	
C 4073	CHIP CAP.	18pF	50V	CH	GRM1552C1H180JA01D	K22178218		1-	A	
C 4074	CHIP CAP.	220pF	50V	CH	GRM1552C1H221JA01D	K22179713		1-	A	
C 4075	CHIP CAP.	15pF	50V	CH	GRM1552C1H150JA01D	K22178216		1-	A	
C 4076	CHIP CAP.	120pF	50V	CH	GRM1552C1H121JA01D	K22178238		1-	A	
C 4077	CHIP CAP.	7pF	50V	CH	GRM1552C1H7R0DA01D	K22178209		1-	A	
C 4078	CHIP CAP.	68pF	50V	CH	GRM1552C1H680JA01D	K22178232		1-	A	
C 4079	CHIP CAP.	1pF	50V	CK	GRM1554C1H1R0CA01D	K22178202		1-	A	
C 4080	CHIP CAP.	47pF	50V	CH	GRM1552C1H470JA01D	K22178228		1-	A	
C 4081	CHIP CAP.	12pF	50V	CH	GRM1552C1H120JA01D	K22178214		1-	A	
C 4082	CHIP CAP.	47pF	50V	CH	GRM1552C1H470JA01D	K22178228		1-	A	

RX-2 Unit

Parts List

REF	DESCRIPTION	VALUE	V/W	TOL.	MFR'S DESIG	YAESU P/N	VERS.	LOT	SIDE	LAY ADR
C 4083	CHIP CAP.	2pF	50V	CK	GRM1554C1H2R0CA01D	K22178204		1-	A	
C 4084	CHIP CAP.	33pF	50V	CH	GRM1552C1H330JA01D	K22178224		1-	A	
C 4085	CHIP CAP.	2pF	50V	CK	GRM1554C1H2R0CA01D	K22178204		1-	A	
C 4086	CHIP CAP.	33pF	50V	CH	GRM1552C1H330JA01D	K22178224		1-	A	
C 4087	CHIP CAP.	0.01uF	50V	X7R	GRM155R71H103KA88D	K22178848		1-	A	
C 4088	CHIP CAP.	150pF	50V	CH	GRM1552C1H151JA01D	K22178240		1-	A	
C 4089	CHIP CAP.	120pF	50V	CH	GRM1552C1H121JA01D	K22178238		1-	A	
C 4090	CHIP CAP.	0.0012uF	50V	C0G	GRM1555C1H122JA01D	K22179758		1-	A	
C 4091	CHIP CAP.	68pF	50V	CH	GRM1552C1H680JA01D	K22178232		1-	A	
C 4092	CHIP CAP.	18pF	50V	CH	GRM1552C1H180JA01D	K22178218		1-	A	
C 4093	CHIP CAP.	0.001uF	50V	B	GRM155B11H102KA01D	K22178809		1-	A	
C 4094	CHIP CAP.	0.0015uF	50V	C0G	GRM1555C1H152JA01D	K22179760		1-	A	
C 4095	CHIP CAP.	1.5pF	50V	CK	GRM1554C1H1R5CA01D	K22178203		1-	A	
C 4096	CHIP CAP.	15pF	50V	CH	GRM1552C1H150JA01D	K22178216		1-	A	
C 4097	CHIP CAP.	12pF	50V	CH	GRM1552C1H120JA01D	K22178214		1-	A	
C 4098	CHIP CAP.	12pF	50V	CH	GRM1552C1H120JA01D	K22178214		1-	A	
C 4099	CHIP CAP.	0.0018uF	50V	C0G	GRM1555C1H182JA01D	K22179762		1-	A	
C 4100	CHIP CAP.	0.01uF	50V	X7R	GRM155R71H103KA88D	K22178848		1-	A	
C 4101	CHIP CAP.	0.0018uF	50V	C0G	GRM1555C1H182JA01D	K22179762		1-	A	
C 4102	CHIP CAP.	0.0012uF	50V	C0G	GRM1555C1H122JA01D	K22179758		1-	A	
C 4103	CHIP CAP.	680pF	50V	C0G	GRM1555C1H681JA01D	K22179752		1-	A	
C 4104	CHIP CAP.	680pF	50V	C0G	GRM1555C1H681JA01D	K22179752		1-	A	
C 4105	CHIP CAP.	0.0012uF	50V	C0G	GRM1555C1H122JA01D	K22179758		1-	A	
C 4106	CHIP CAP.	390pF	50V	C0G	GRM1555C1H391JA01D	K22179746		1-	A	
C 4107	CHIP CAP.	0.0012uF	50V	C0G	GRM1555C1H122JA01D	K22179758		1-	A	
C 4108	CHIP CAP.	0.0015uF	50V	C0G	GRM1555C1H152JA01D	K22179760		1-	A	
C 4109	CHIP CAP.	0.1uF	50V	X7R	GRM155R71H104KE14D	K22178872		1-	A	
C 4110	CHIP CAP.	150pF	50V	CH	GRM1552C1H151JA01D	K22178240		1-	A	
C 4111	CHIP CAP.	180pF	50V	CH	GRM1552C1H181JA01D	K22179711		1-	A	
C 4112	CHIP CAP.	270pF	50V	CH	GRM1552C1H271JA01D	K22179715		1-	A	
C 4113	CHIP CAP.	120pF	50V	CH	GRM1552C1H121JA01D	K22178238		1-	A	
C 4114	CHIP CAP.	68pF	50V	CH	GRM1552C1H680JA01D	K22178232		1-	A	
C 4115	CHIP CAP.	68pF	50V	CH	GRM1552C1H680JA01D	K22178232		1-	A	
C 4116	CHIP CAP.	330pF	50V	C0G	GRM1555C1H331JA01D	K22179744		1-	A	
C 4117	CHIP CAP.	100pF	50V	CH	GRM1552C1H101JA01D	K22178236		1-	A	
C 4118	CHIP CAP.	0.0012uF	50V	C0G	GRM1555C1H122JA01D	K22179758		1-	A	
C 4119	CHIP CAP.	270pF	50V	CH	GRM1552C1H271JA01D	K22179715		1-	A	
C 4120	CHIP CAP.	18pF	50V	CH	GRM1552C1H180JA01D	K22178218		1-	A	
C 4121	CHIP CAP.	220pF	50V	CH	GRM1552C1H221JA01D	K22179713		1-	A	
C 4122	CHIP CAP.	15pF	50V	CH	GRM1552C1H150JA01D	K22178216		1-	A	
C 4123	CHIP CAP.	120pF	50V	CH	GRM1552C1H121JA01D	K22178238		1-	A	
C 4124	CHIP CAP.	7pF	50V	CH	GRM1552C1H7R0DA01D	K22178209		1-	A	
C 4125	CHIP CAP.	68pF	50V	CH	GRM1552C1H680JA01D	K22178232		1-	A	
C 4126	CHIP CAP.	1pF	50V	CK	GRM1554C1H1R0CA01D	K22178202		1-	A	
C 4127	CHIP CAP.	47pF	50V	CH	GRM1552C1H470JA01D	K22178228		1-	A	
C 4128	CHIP CAP.	12pF	50V	CH	GRM1552C1H120JA01D	K22178214		1-	A	
C 4129	CHIP CAP.	47pF	50V	CH	GRM1552C1H470JA01D	K22178228		1-	A	
C 4130	CHIP CAP.	2pF	50V	CK	GRM1554C1H2R0CA01D	K22178204		1-	A	
C 4131	CHIP CAP.	33pF	50V	CH	GRM1552C1H330JA01D	K22178224		1-	A	
C 4132	CHIP CAP.	2pF	50V	CK	GRM1554C1H2R0CA01D	K22178204		1-	A	
C 4133	CHIP CAP.	33pF	50V	CH	GRM1552C1H330JA01D	K22178224		1-	A	
C 4134	CHIP CAP.	0.01uF	50V	X7R	GRM155R71H103KA88D	K22178848		1-	A	
C 4136	CHIP CAP.	0.0015uF	50V	C0G	GRM1555C1H152JA01D	K22179760		1-	A	
C 4138	CHIP CAP.	22pF	50V	CH	GRM1552C1H220JA01D	K22178220		1-	A	
C 4139	CHIP CAP.	0.1uF	50V	X7R	GRM155R71H104KE14D	K22178872		1-	A	
C 4140	CHIP CAP.	0.0015uF	50V	C0G	GRM1555C1H152JA01D	K22179760		1-	A	
C 4141	CHIP CAP.	10uF	25V	B	GRM188R61E106MA73D	K22144818		1-	A	
C 4142	CHIP CAP.	56pF	50V	CH	GRM1552C1H560JA01D	K22178230		1-	A	
C 4143	CHIP CAP.	22pF	50V	CH	GRM1552C1H220JA01D	K22178220		1-	A	
C 4144	CHIP CAP.	0.01uF	50V	X7R	GRM155R71H103KA88D	K22178848		1-	A	
C 4145	CHIP CAP.	0.001uF	50V	B	GRM155B11H102KA01D	K22178809		1-	A	
C 4146	CHIP CAP.	0.001uF	50V	C0G	GRM1555C1H102JA01D	K22179756		1-	A	
C 4147	CHIP CAP.	82pF	50V	CH	GRM1552C1H820JA01D	K22178234		1-	A	
C 4148	CHIP CAP.	47pF	50V	CH	GRM1552C1H470JA01D	K22178228		1-	A	
C 4149	CHIP CAP.	47pF	50V	CH	GRM1552C1H470JA01D	K22178228		1-	A	
C 4150	CHIP CAP.	3pF	50V	CJ	GRM1553C1H3R0BA01D	K22178290		1-	A	
C 4151	CHIP CAP.	22pF	50V	CH	GRM1552C1H220JA01D	K22178220		1-	A	
C 4152	CHIP CAP.	68pF	50V	CH	GRM1552C1H680JA01D	K22178232		1-	A	
C 4153	CHIP CAP.	33pF	50V	CH	GRM1552C1H330JA01D	K22178224		1-	A	
C 4154	CHIP CAP.	0.01uF	50V	X7R	GRM155R71H103KA88D	K22178848		1-	A	
C 4155	CHIP CAP.	0.001uF	50V	C0G	GRM1555C1H102JA01D	K22179756		1-	A	
C 4157	CHIP CAP.	1uF	25V	X5R	GRM155R61E105KE11D	K22149010		1-	A	
C 4158	CHIP CAP.	0.001uF	50V	C0G	GRM1555C1H102JA01D	K22179756		1-	A	
C 4159	CHIP CAP.	470pF	50V	C0G	GRM1555C1H471JA01D	K22179748		1-	A	
C 4160	CHIP CAP.	390pF	50V	C0G	GRM1555C1H391JA01D	K22179746		1-	A	

RX-2 Unit

Parts List

REF	DESCRIPTION	VALUE	V/W	TOL.	MFR'S DESIG	YAESU P/N	VERS.	LOT	SIDE	LAY ADR
C 4161	CHIP CAP.	330pF	50V	C0G	GRM1555C1H331JA01D	K22179744		1-	A	
C 4162	CHIP CAP.	560pF	50V	C0G	GRM1555C1H561JA01D	K22179750		1-	A	
C 4163	CHIP CAP.	560pF	50V	C0G	GRM1555C1H561JA01D	K22179750		1-	A	
C 4164	CHIP CAP.	180pF	50V	CH	GRM1552C1H181JA01D	K22179711		1-	A	
C 4165	CHIP CAP.	0.1uF	50V	X7R	GRM155R71H104KE14D	K22178872		1-	A	
C 4166	CHIP CAP.	0.01uF	50V	X7R	GRM155R71H103KA88D	K22178848		1-	A	
C 4167	CHIP CAP.	5pF	50V	CH	GRM1552C1H5R0CA01D	K22178207		1-	A	
C 4168	CHIP CAP.	0.0015uF	50V	C0G	GRM1555C1H152JA01D	K22179760		1-	A	
C 4169	CHIP CAP.	0.1uF	50V	X7R	GRM155R71H104KE14D	K22178872		1-	A	
C 4170	CHIP CAP.	1uF	25V	X5R	GRM155R61E105KE11D	K22149010		1-	A	
C 4171	CHIP CAP.	0.01uF	50V	X7R	GRM155R71H103KA88D	K22178848		1-	A	
C 4172	CHIP CAP.	0.01uF	50V	X7R	GRM155R71H103KA88D	K22178848		1-	A	
C 4173	CHIP CAP.	0.01uF	50V	X7R	GRM155R71H103KA88D	K22178848		1-	A	
C 4174	CHIP CAP.	0.01uF	50V	X7R	GRM155R71H103KA88D	K22178848		1-	A	
C 4175	CHIP CAP.	0.01uF	50V	X7R	GRM155R71H103KA88D	K22178848		1-	A	
C 4176	CHIP CAP.	0.01uF	50V	X7R	GRM155R71H103KA88D	K22178848		1-	A	
C 4177	CHIP CAP.	0.01uF	50V	X7R	GRM155R71H103KA88D	K22178848		1-	A	
C 4178	CHIP CAP.	0.001uF	50V	B	GRM155B11H102KA01D	K22178809		1-	A	
C 4179	CHIP CAP.	0.01uF	50V	X7R	GRM155R71H103KA88D	K22178848		1-	A	
C 4180	CHIP CAP.	0.1uF	50V	X7R	GRM155R71H104KE14D	K22178872		1-	A	
C 4181	CHIP CAP.	0.1uF	50V	X7R	GRM155R71H104KE14D	K22178872		1-	A	
C 4182	CHIP CAP.	0.1uF	50V	X7R	GRM155R71H104KE14D	K22178872		1-	A	
C 4183	CHIP CAP.	0.1uF	50V	X7R	GRM155R71H104KE14D	K22178872		1-	A	
C 4184	CHIP CAP.	0.1uF	50V	X7R	GRM155R71H104KE14D	K22178872		1-	A	
C 4185	CHIP CAP.	0.1uF	50V	X7R	GRM155R71H104KE14D	K22178872		1-	A	
C 4186	CHIP CAP.	0.1uF	50V	X7R	GRM155R71H104KE14D	K22178872		1-	A	
C 4187	CHIP CAP.	10uF	25V	B	GRM188R61E106MA73D	K22144818		1-	A	
C 4188	CHIP CAP.	0.01uF	50V	X7R	GRM155R71H103KA88D	K22178848		1-	A	
C 4189	CHIP CAP.	0.01uF	50V	X7R	GRM155R71H103KA88D	K22178848		1-	A	
C 4190	CHIP CAP.	9pF	50V	CH	GRM1552C1H9R0DA01D	K22178211		1-	A	
C 4191	CHIP CAP.	0.01uF	50V	X7R	GRM155R71H103KA88D	K22178848		1-	A	
C 4192	CHIP CAP.	0.01uF	50V	X7R	GRM155R71H103KA88D	K22178848		1-	A	
C 4193	CHIP CAP.	0.01uF	50V	X7R	GRM155R71H103KA88D	K22178848		1-	A	
C 4194	CHIP CAP.	0.01uF	50V	X7R	GRM155R71H103KA88D	K22178848		1-	A	
C 4195	CHIP CAP.	0.01uF	50V	X7R	GRM155R71H103KA88D	K22178848		1-	A	
C 4196	CHIP CAP.	0.01uF	50V	X7R	GRM155R71H103KA88D	K22178848		1-	A	
C 4197	CHIP CAP.	330pF	50V	C0G	GRM1555C1H331JA01D	K22179744		1-	A	
C 4198	CHIP CAP.	0.001uF	50V	C0G	GRM1555C1H102JA01D	K22179756		1-	A	
C 4199	CHIP CAP.	10uF	25V	B	GRM188R61E106MA73D	K22144818		1-	A	
C 4200	CHIP CAP.	0.01uF	50V	X7R	GRM155R71H103KA88D	K22178848		1-	A	
C 4201	CHIP CAP.	0.01uF	50V	X7R	GRM155R71H103KA88D	K22178848		1-	A	
C 4202	CHIP CAP.	10uF	25V	B	GRM188R61E106MA73D	K22144818		1-	A	
C 4203	CHIP CAP.	10uF	25V	B	GRM188R61E106MA73D	K22144818		1-	A	
C 4204	CHIP CAP.	10uF	25V	B	GRM188R61E106MA73D	K22144818		1-	A	
C 4205	CHIP CAP.	10uF	25V	B	GRM188R61E106MA73D	K22144818		1-	A	
C 4206	CHIP CAP.	10uF	25V	B	GRM188R61E106MA73D	K22144818		1-	A	
C 4207	CHIP CAP.	0.1uF	50V	X7R	GRM155R71H104KE14D	K22178872		1-	A	
C 4208	CHIP CAP.	0.01uF	50V	X7R	GRM155R71H103KA88D	K22178848		1-	A	
C 4209	CHIP CAP.	10uF	25V	B	GRM188R61E106MA73D	K22144818		1-	A	
C 4210	CHIP CAP.	10uF	25V	B	GRM188R61E106MA73D	K22144818		1-	A	
C 4211	CHIP CAP.	0.1uF	50V	X7R	GRM155R71H104KE14D	K22178872		1-	A	
C 4212	CHIP CAP.	0.001uF	50V	B	GRM155B11H102KA01D	K22178809		1-	A	
C 4213	CHIP CAP.	0.01uF	50V	X7R	GRM155R71H103KA88D	K22178848		1-	A	
C 4214	CHIP CAP.	0.1uF	50V	X7R	GRM155R71H104KE14D	K22178872		1-	A	
C 4215	CHIP CAP.	0.1uF	50V	X7R	GRM155R71H104KE14D	K22178872		1-	A	
C 4216	CHIP CAP.	0.001uF	50V	B	GRM155B11H102KA01D	K22178809		1-	A	
C 4217	CHIP CAP.	0.01uF	50V	X7R	GRM155R71H103KA88D	K22178848		1-	A	
C 4218	CHIP CAP.	10uF	25V	B	GRM188R61E106MA73D	K22144818		1-	A	
C 4219	CHIP CAP.	0.01uF	50V	X7R	GRM155R71H103KA88D	K22178848		1-	A	
C 4220	CHIP CAP.	1uF	25V	X5R	GRM155R61E105KE11D	K22149010		1-	A	
C 4221	CHIP CAP.	0.1uF	50V	X7R	GRM155R71H104KE14D	K22178872		1-	A	
C 4222	CHIP CAP.	0.01uF	50V	X7R	GRM155R71H103KA88D	K22178848		1-	A	
C 4223	CHIP CAP.	0.001uF	50V	B	GRM155B11H102KA01D	K22178809		1-	A	
C 4224	CHIP CAP.	0.01uF	50V	X7R	GRM155R71H103KA88D	K22178848		1-	A	
C 4225	CHIP CAP.	0.1uF	50V	X7R	GRM155R71H104KE14D	K22178872		1-	A	
C 4226	CHIP CAP.	100pF	50V	CH	GRM1552C1H101JA01D	K22178236		1-	A	
C 4227	CHIP CAP.	0.01uF	50V	X7R	GRM155R71H103KA88D	K22178848		1-	A	
C 4228	CHIP CAP.	0.001uF	50V	B	GRM155B11H102KA01D	K22178809		1-	A	
C 4229	CHIP CAP.	0.001uF	50V	B	GRM155B11H102KA01D	K22178809		1-	A	
C 4230	CHIP CAP.	150pF	50V	CH	GRM1552C1H151JA01D	K22178240		1-	A	
C 4231	CHIP CAP.	0.01uF	50V	X7R	GRM155R71H103KA88D	K22178848		1-	A	
C 4232	CHIP CAP.	0.01uF	50V	X7R	GRM155R71H103KA88D	K22178848		1-	A	
C 4234	CHIP CAP.	0.1uF	50V	X7R	GRM155R71H104KE14D	K22178872		1-	A	
C 4235	CHIP CAP.	0.01uF	50V	X7R	GRM155R71H103KA88D	K22178848		1-	A	
C 4236	CHIP CAP.	0.1uF	50V	X7R	GRM155R71H104KE14D	K22178872		1-	A	

RX-2 Unit

Parts List

REF	DESCRIPTION	VALUE	V/W	TOL.	MFR'S DESIG	YAESU P/N	VERS.	LOT	SIDE	LAY ADR
C 4237	CHIP CAP.	0.001uF	50V	B	GRM155B11H102KA01D	K22178809		1-	A	
C 4238	CHIP CAP.	1uF	25V	X5R	GRM155R61E105KE11D	K22149010		1-	A	
C 4239	CHIP CAP.	0.01uF	50V	X7R	GRM155R71H103KA88D	K22178848		1-	A	
C 4240	CHIP CAP.	100pF	50V	CH	GRM1552C1H101JA01D	K22178236		1-	A	
C 4241	CHIP CAP.	0.1uF	50V	X7R	GRM155R71H104KE14D	K22178872		1-	A	
C 4242	CHIP CAP.	0.001uF	50V	B	GRM155B11H102KA01D	K22178809		1-	A	
C 4243	CHIP CAP.	1uF	25V	X5R	GRM155R61E105KE11D	K22149010		1-	A	
C 4244	CHIP CAP.	0.01uF	50V	X7R	GRM155R71H103KA88D	K22178848		1-	A	
C 4245	CHIP CAP.	10uF	25V	B	GRM188R61E106MA73D	K22144818		1-	A	
C 4246	CHIP CAP.	0.1uF	50V	X7R	GRM155R71H104KE14D	K22178872		1-	A	
C 4247	CHIP CAP.	0.01uF	50V	X7R	GRM155R71H103KA88D	K22178848		1-	A	
C 4248	CHIP CAP.	0.1uF	50V	X7R	GRM155R71H104KE14D	K22178872		1-	A	
C 4249	CHIP CAP.	0.1uF	50V	X7R	GRM155R71H104KE14D	K22178872		1-	A	
C 4250	CHIP CAP.	0.1uF	50V	X7R	GRM155R71H104KE14D	K22178872		1-	A	
C 4251	CHIP CAP.	0.1uF	50V	X7R	GRM155R71H104KE14D	K22178872		1-	A	
C 4252	CHIP CAP.	1uF	25V	X5R	GRM155R61E105KE11D	K22149010		1-	A	
C 4253	CHIP CAP.	0.1uF	50V	X7R	GRM155R71H104KE14D	K22178872		1-	A	
C 4254	CHIP CAP.	0.1uF	50V	X7R	GRM155R71H104KE14D	K22178872		1-	A	
C 4255	CHIP CAP.	10uF	25V	B	GRM188R61E106MA73D	K22144818		1-	A	
C 4256	CHIP CAP.	0.1uF	50V	X7R	GRM155R71H104KE14D	K22178872		1-	A	
C 4257	CHIP CAP.	0.01uF	50V	X7R	GRM155R71H103KA88D	K22178848		1-	A	
C 4258	CHIP CAP.	0.01uF	50V	X7R	GRM155R71H103KA88D	K22178848		1-	A	
C 4259	CHIP CAP.	0.01uF	50V	X7R	GRM155R71H103KA88D	K22178848		1-	A	
C 4260	CHIP CAP.	0.01uF	50V	X7R	GRM155R71H103KA88D	K22178848		1-	A	
C 4261	CHIP CAP.	0.01uF	50V	X7R	GRM155R71H103KA88D	K22178848		1-	A	
C 4262	CHIP CAP.	0.001uF	50V	B	GRM155B11H102KA01D	K22178809		1-	A	
C 4263	CHIP CAP.	1uF	25V	X5R	GRM155R61E105KE11D	K22149010		1-	A	
C 4264	CHIP CAP.	0.001uF	50V	B	GRM155B11H102KA01D	K22178809		1-	A	
C 4265	CHIP CAP.	0.1uF	50V	X7R	GRM155R71H104KE14D	K22178872		1-	A	
C 4266	CHIP CAP.	0.1uF	50V	X7R	GRM155R71H104KE14D	K22178872		1-	A	
C 4267	CHIP CAP.	0.1uF	50V	X7R	GRM155R71H104KE14D	K22178872		1-	A	
C 4268	CHIP CAP.	0.1uF	50V	X7R	GRM155R71H104KE14D	K22178872		1-	A	
C 4269	CHIP CAP.	0.01uF	50V	X7R	GRM155R71H103KA88D	K22178848		1-	A	
C 4270	CHIP CAP.	0.01uF	50V	X7R	GRM155R71H103KA88D	K22178848		1-	A	
C 4271	CHIP CAP.	0.01uF	50V	X7R	GRM155R71H103KA88D	K22178848		1-	A	
C 4272	CHIP CAP.	1uF	25V	X5R	GRM155R61E105KE11D	K22149010		1-	A	
C 4273	CHIP CAP.	1uF	25V	X5R	GRM155R61E105KE11D	K22149010		1-	A	
C 4274	CHIP CAP.	1uF	25V	X5R	GRM155R61E105KE11D	K22149010		1-	A	
C 4275	CHIP CAP.	0.001uF	50V	B	GRM155B11H102KA01D	K22178809		1-	A	
C 4276	CHIP CAP.	0.1uF	50V	X7R	GRM155R71H104KE14D	K22178872		1-	A	
C 4277	CHIP CAP.	0.1uF	50V	X7R	GRM155R71H104KE14D	K22178872		1-	A	
C 4278	CHIP CAP.	1uF	25V	X5R	GRM155R61E105KE11D	K22149010		1-	A	
C 4279	CHIP CAP.	0.1uF	50V	X7R	GRM155R71H104KE14D	K22178872		1-	A	
C 4280	CHIP CAP.	0.01uF	50V	X7R	GRM155R71H103KA88D	K22178848		1-	A	
C 4281	CHIP CAP.	0.001uF	50V	C0G	GRM1555C1H102JA01D	K22179756		1-	A	
C 4282	CHIP CAP.	0.001uF	50V	C0G	GRM1555C1H102JA01D	K22179756		1-	A	
C 4283	CHIP CAP.	820pF	50V	C0G	GRM1555C1H821JA01D	K22179754		1-	A	
C 4284	CHIP CAP.	100pF	50V	CH	GRM1552C1H101JA01D	K22178236		1-	A	
C 4285	CHIP CAP.	10uF	25V	B	GRM188R61E106MA73D	K22144818		1-	A	
C 4286	CHIP CAP.	1uF	25V	X5R	GRM155R61E105KE11D	K22149010		1-	A	
C 4287	CHIP CAP.	0.1uF	50V	X7R	GRM155R71H104KE14D	K22178872		1-	A	
C 4288	CHIP CAP.	1uF	25V	X5R	GRM155R61E105KE11D	K22149010		1-	A	
C 4289	CHIP CAP.	100pF	50V	CH	GRM1552C1H101JA01D	K22178236		1-	A	
C 4290	CHIP CAP.	150pF	50V	CH	GRM1552C1H151JA01D	K22178240		1-	A	
C 4291	CHIP CAP.	18pF	50V	CH	GRM1552C1H180JA01D	K22178218		1-	A	
C 4293	CHIP CAP.	0.1uF	50V	X7R	GRM155R71H104KE14D	K22178872		1-	A	
C 4294	CHIP CAP.	0.01uF	50V	X7R	GRM155R71H103KA88D	K22178848		1-	A	
C 4295	CHIP CAP.	0.0018uF	50V	C0G	GRM1555C1H182JA01D	K22179762		1-	A	
C 4296	CHIP CAP.	0.01uF	50V	X7R	GRM155R71H103KA88D	K22178848		1-	A	
C 4297	CHIP CAP.	0.001uF	50V	B	GRM155B11H102KA01D	K22178809		1-	A	
C 4298	CHIP CAP.	220pF	50V	CH	GRM1552C1H221JA01D	K22179713		1-	A	
C 4299	CHIP CAP.	15pF	50V	CH	GRM1552C1H150JA01D	K22178216		1-	A	
C 4300	CHIP CAP.	0.001uF	50V	B	GRM155B11H102KA01D	K22178809		1-	A	
C 4303	CHIP CAP.	0.001uF	50V	C0G	GRM1555C1H102JA01D	K22179756		1-	A	
C 4304	CHIP CAP.	0.0047uF	50V	B	GRM155B11H472KA01D	K22178838		1-	A	
C 4305	CHIP CAP.	470pF	50V	C0G	GRM1555C1H471JA01D	K22179748		1-	A	
C 4306	CHIP CAP.	82pF	50V	CH	GRM1552C1H820JA01D	K22178234		1-	A	
C 4307	CHIP CAP.	27pF	50V	CH	GRM1552C1H270JA01D	K22178222		1-	A	
C 4308	CHIP CAP.	220pF	50V	CH	GRM1552C1H221JA01D	K22179713		1-	A	
C 4310	CHIP CAP.	33pF	50V	CH	GRM1552C1H330JA01D	K22178224		1-	A	
C 4311	CHIP CAP.	0.0082uF	50V	X7R	GRM155R71H822KA88D	K22178846		1-	A	
C 4312	CHIP CAP.	56pF	50V	CH	GRM1552C1H560JA01D	K22178230		1-	A	
C 4315	CHIP CAP.	6pF	50V	CH	GRM1552C1H6R0DA01D	K22178208		1-	A	
C 4316	CHIP CAP.	18pF	50V	CH	GRM1552C1H180JA01D	K22178218		1-	A	
C 4318	CHIP CAP.	100pF	50V	CH	GRM1552C1H101JA01D	K22178236		1-	A	

RX-2 Unit

Parts List

REF	DESCRIPTION	VALUE	V/W	TOL.	MFR'S DESIG	YAESU P/N	VERS.	LOT	SIDE	LAY ADR
C 4319	CHIP CAP.	150pF	50V	CH	GRM1552C1H151JA01D	K22178240		1-	A	
C 4320	CHIP CAP.	820pF	50V	C0G	GRM1555C1H821JA01D	K22179754		1-	A	
C 4321	CHIP CAP.	100pF	50V	CH	GRM1552C1H101JA01D	K22178236		1-	A	
C 4322	CHIP CAP.	56pF	50V	CH	GRM1552C1H560JA01D	K22178230		1-	A	
C 4323	CHIP CAP.	0.001uF	50V	C0G	GRM1555C1H102JA01D	K22179756		1-	A	
C 4324	CHIP CAP.	0.001uF	50V	C0G	GRM1555C1H102JA01D	K22179756		1-	A	
C 4326	CHIP CAP.	0.0082uF	50V	X7R	GRM155R71H822KA88D	K22178846		1-	A	
C 4327	CHIP CAP.	0.001uF	50V	B	GRM155B11H102KA01D	K22178809		1-	A	
C 4328	CHIP CAP.	6pF	50V	CH	GRM1552C1H6R0DA01D	K22178208		1-	A	
C 4329	CHIP CAP.	1uF	25V	X5R	GRM155R61E105KE11D	K22149010		1-	A	
C 4330	CHIP CAP.	1uF	25V	X5R	GRM155R61E105KE11D	K22149010		1-	A	
C 4331	CHIP CAP.	1uF	25V	X5R	GRM155R61E105KE11D	K22149010		1-	A	
C 4332	CHIP CAP.	2pF	50V	CK	GRM1554C1H2R0CA01D	K22178204		1-	A	
C 4334	CHIP CAP.	0.1uF	50V	X7R	GRM155R71H104KE14D	K22178872		1-	A	
C 4335	CHIP CAP.	0.1uF	50V	X7R	GRM155R71H104KE14D	K22178872		1-	A	
C 4336	CHIP CAP.	0.1uF	50V	X7R	GRM155R71H104KE14D	K22178872		1-	A	
C 4337	CHIP CAP.	0.1uF	50V	X7R	GRM155R71H104KE14D	K22178872		1-	A	
C 4338	CHIP CAP.	15pF	50V	CH	GRM1552C1H150JA01D	K22178216		1-	A	
C 4339	CHIP CAP.	0.01uF	50V	X7R	GRM155R71H103KA88D	K22178848		1-	A	
C 4340	CHIP CAP.	0.01uF	50V	X7R	GRM155R71H103KA88D	K22178848		1-	A	
C 4341	CHIP CAP.	0.01uF	50V	X7R	GRM155R71H103KA88D	K22178848		1-	A	
C 4342	CHIP CAP.	0.01uF	50V	X7R	GRM155R71H103KA88D	K22178848		1-	A	
C 4344	CHIP CAP.	220pF	50V	CH	GRM1552C1H221JA01D	K22179713		1-	A	
C 4345	CHIP CAP.	0.0018uF	50V	C0G	GRM1555C1H182JA01D	K22179762		1-	A	
C 4346	CHIP CAP.	0.01uF	50V	X7R	GRM155R71H103KA88D	K22178848		1-	A	
C 4347	CHIP CAP.	0.01uF	50V	X7R	GRM155R71H103KA88D	K22178848		1-	A	
C 4348	CHIP CAP.	0.01uF	50V	X7R	GRM155R71H103KA88D	K22178848		1-	A	
C 4349	CHIP CAP.	0.01uF	50V	X7R	GRM155R71H103KA88D	K22178848		1-	A	
C 4350	CHIP CAP.	10uF	25V	B	GRM188R61E106MA73D	K22144818		1-	A	
C 4352	CHIP CAP.	10uF	25V	B	GRM188R61E106MA73D	K22144818		1-	A	
C 4353	CHIP CAP.	10uF	25V	B	GRM188R61E106MA73D	K22144818		1-	A	
C 4354	CHIP CAP.	10uF	25V	B	GRM188R61E106MA73D	K22144818		1-	A	
C 4356	CHIP CAP.	5pF	50V	CH	GRM1552C1H5R0CA01D	K22178207		1-	A	
C 4357	CHIP CAP.	0.1uF	50V	X7R	GRM155R71H104KE14D	K22178872		1-	A	
C 4359	CHIP CAP.	0.1uF	50V	X7R	GRM155R71H104KE14D	K22178872		1-	A	
C 4360	CHIP CAP.	1pF	50V	CK	GRM1554C1H1R0CA01D	K22178202		1-	A	
C 4361	CHIP CAP.	0.1uF	50V	X7R	GRM155R71H104KE14D	K22178872		1-	A	
C 4362	CHIP CAP.	0.01uF	50V	X7R	GRM155R71H103KA88D	K22178848		1-	A	
C 4363	CHIP CAP.	0.1uF	50V	X7R	GRM155R71H104KE14D	K22178872		1-	A	
C 4364	CHIP CAP.	0.01uF	50V	X7R	GRM155R71H103KA88D	K22178848		1-	A	
C 4365	CHIP CAP.	0.1uF	50V	X7R	GRM155R71H104KE14D	K22178872		1-	A	
C 4366	CHIP CAP.	0.01uF	50V	X7R	GRM155R71H103KA88D	K22178848		1-	A	
C 4368	CHIP CAP.	0.1uF	50V	X7R	GRM155R71H104KE14D	K22178872		1-	A	
C 4369	CHIP CAP.	0.1uF	50V	X7R	GRM155R71H104KE14D	K22178872		1-	A	
C 4371	CHIP CAP.	0.001uF	50V	B	GRM155B11H102KA01D	K22178809		1-	A	
C 4372	CHIP CAP.	0.01uF	50V	X7R	GRM155R71H103KA88D	K22178848		1-	A	
C 4373	CHIP CAP.	0.1uF	50V	X7R	GRM155R71H104KE14D	K22178872		1-	A	
C 4374	CHIP CAP.	5pF	50V	CH	GRM1552C1H5R0CA01D	K22178207		1-	A	
C 4375	CHIP CAP.	0.01uF	50V	X7R	GRM155R71H103KA88D	K22178848		1-	A	
C 4376	CHIP CAP.	0.1uF	50V	X7R	GRM155R71H104KE14D	K22178872		1-	A	
C 4378	CHIP CAP.	0.1uF	50V	X7R	GRM155R71H104KE14D	K22178872		1-	A	
C 4379	CHIP CAP.	0.1uF	50V	X7R	GRM155R71H104KE14D	K22178872		1-	A	
C 4380	CHIP CAP.	0.1uF	50V	X7R	GRM155R71H104KE14D	K22178872		1-	A	
C 4381	CHIP CAP.	0.1uF	50V	X7R	GRM155R71H104KE14D	K22178872		1-	A	
C 4382	CHIP CAP.	0.1uF	50V	X7R	GRM155R71H104KE14D	K22178872		1-	A	
C 4383	CHIP CAP.	0.001uF	50V	B	GRM155B11H102KA01D	K22178809		1-	A	
C 4384	CHIP CAP.	0.001uF	50V	B	GRM155B11H102KA01D	K22178809		1-	A	
C 4385	CHIP CAP.	9pF	50V	CH	GRM1552C1H9R0DA01D	K22178211		1-	A	
C 4386	CHIP CAP.	0.1uF	50V	X7R	GRM155R71H104KE14D	K22178872		1-	A	
C 4387	CHIP CAP.	0.01uF	50V	X7R	GRM155R71H103KA88D	K22178848		1-	A	
C 4388	CHIP CAP.	0.01uF	50V	X7R	GRM155R71H103KA88D	K22178848		1-	A	
C 4389	CHIP CAP.	0.001uF	50V	C0G	GRM1555C1H102JA01D	K22179756		1-	A	
C 4390	CHIP CAP.	0.001uF	50V	C0G	GRM1555C1H102JA01D	K22179756		1-	A	
C 4391	CHIP CAP.	0.001uF	50V	C0G	GRM1555C1H102JA01D	K22179756		1-	A	
C 4392	CHIP CAP.	0.1uF	50V	X7R	GRM155R71H104KE14D	K22178872		1-	A	
C 4393	CHIP TA.CAP.	10uF	16V		TMCMA1C106MTRF	K78120077		1-	A	
C 4394	CHIP CAP.	0.001uF	50V	B	GRM155B11H102KA01D	K22178809		1-	A	
C 4395	CHIP CAP.	0.001uF	50V	B	GRM155B11H102KA01D	K22178809		1-	A	
C 4396	CHIP CAP.	0.01uF	50V	X7R	GRM155R71H103KA88D	K22178848		1-	A	
C 4397	CHIP CAP.	0.1uF	50V	X7R	GRM155R71H104KE14D	K22178872		1-	A	
C 4398	CHIP CAP.	0.1uF	50V	X7R	GRM155R71H104KE14D	K22178872		1-	A	
C 4400	CHIP CAP.	0.1uF	50V	X7R	GRM155R71H104KE14D	K22178872		1-	A	
C 4401	CHIP CAP.	47pF	50V	CH	GRM1552C1H470JA01D	K22178228		1-	A	
C 4402	CHIP CAP.	2pF	50V	CK	GRM1554C1H2R0CA01D	K22178204		1-	A	
C 4403	CHIP CAP.	47pF	50V	CH	GRM1552C1H470JA01D	K22178228		1-	A	

RX-2 Unit

Parts List

REF	DESCRIPTION	VALUE	V/W	TOL.	MFR'S DESIG	YAESU P/N	VERS.	LOT	SIDE	LAY ADR
C 4404	CHIP CAP.	0.1uF	50V	X7R	GRM155R71H104KE14D	K22178872		1-	A	
C 4405	CHIP CAP.	0.01uF	50V	X7R	GRM155R71H103KA88D	K22178848		1-	A	
C 4406	CHIP CAP.	8pF	50V	CH	GRM1552C1H8R0DA01D	K22178210		1-	A	
C 4407	CHIP CAP.	0.001uF	50V	B	GRM155B11H102KA01D	K22178809		1-	A	
C 4408	CHIP CAP.	0.001uF	50V	B	GRM155B11H102KA01D	K22178809		1-	A	
C 4409	CHIP CAP.	0.001uF	50V	B	GRM155B11H102KA01D	K22178809		1-	A	
C 4410	CHIP CAP.	0.001uF	50V	B	GRM155B11H102KA01D	K22178809		1-	A	
C 4411	CHIP CAP.	0.01uF	50V	X7R	GRM155R71H103KA88D	K22178848		1-	A	
C 4412	CHIP CAP.	0.1uF	50V	X7R	GRM155R71H104KE14D	K22178872		1-	A	
C 4413	CHIP CAP.	0.1uF	50V	X7R	GRM155R71H104KE14D	K22178872		1-	A	
C 4414	CHIP CAP.	0.001uF	50V	B	GRM155B11H102KA01D	K22178809		1-	A	
C 4415	CHIP CAP.	0.001uF	50V	B	GRM155B11H102KA01D	K22178809		1-	A	
C 4416	CHIP CAP.	0.1uF	50V	X7R	GRM155R71H104KE14D	K22178872		1-	A	
C 4417	CHIP CAP.	0.01uF	50V	X7R	GRM155R71H103KA88D	K22178848		1-	A	
C 4418	CHIP CAP.	0.1uF	50V	X7R	GRM155R71H104KE14D	K22178872		1-	A	
C 4419	CHIP CAP.	22pF	50V	CH	GRM1552C1H220JA01D	K22178220		1-	A	
C 4420	CHIP CAP.	3pF	50V	CJ	GRM1553C1H3R0BA01D	K22178290		1-	A	
C 4421	CHIP CAP.	0.1uF	50V	X7R	GRM155R71H104KE14D	K22178872		1-	A	
C 4422	CHIP CAP.	0.01uF	50V	X7R	GRM155R71H103KA88D	K22178848		1-	A	
C 4423	CHIP CAP.	0.001uF	50V	C0G	GRM1555C1H102JA01D	K22179756		1-	A	
C 4424	CHIP CAP.	0.1uF	50V	X7R	GRM155R71H104KE14D	K22178872		1-	A	
C 4425	CHIP CAP.	0.1uF	50V	X7R	GRM155R71H104KE14D	K22178872		1-	A	
C 4426	CHIP CAP.	0.1uF	50V	X7R	GRM155R71H104KE14D	K22178872		1-	A	
C 4427	AL.ELECTRO.CAP.	220uF	16V		EMVA160ADA221MF80G	K48120021		1-	A	
C 4428	CHIP CAP.	0.1uF	50V	X7R	GRM155R71H104KE14D	K22178872		1-	A	
C 4429	CHIP CAP.	0.001uF	50V	C0G	GRM1555C1H102JA01D	K22179756		1-	A	
C 4430	CHIP CAP.	0.001uF	50V	C0G	GRM1555C1H102JA01D	K22179756		1-	A	
C 4431	CHIP CAP.	0.1uF	50V	X7R	GRM155R71H104KE14D	K22178872		1-	A	
C 4432	CHIP CAP.	0.1uF	50V	X7R	GRM155R71H104KE14D	K22178872		1-	A	
C 4433	CHIP CAP.	0.001uF	50V	C0G	GRM1555C1H102JA01D	K22179756		1-	A	
C 4434	CHIP CAP.	0.001uF	50V	C0G	GRM1555C1H102JA01D	K22179756		1-	A	
C 4435	CHIP CAP.	0.1uF	50V	X7R	GRM155R71H104KE14D	K22178872		1-	A	
C 4436	CHIP CAP.	0.001uF	50V	C0G	GRM1555C1H102JA01D	K22179756		1-	A	
C 4437	CHIP CAP.	10uF	25V	B	GRM188R61E106MA73D	K22144818		1-	A	
C 4438	CHIP CAP.	10pF	50V	CH	GRM1552C1H100JA01D	K22178212		1-	A	
C 4439	CHIP CAP.	0.1uF	50V	X7R	GRM155R71H104KE14D	K22178872		1-	A	
C 4440	AL.ELECTRO.CAP.	10uF	25V		EMVA250ADA100MD55G	K48140014		1-	A	
C 4441	CHIP CAP.	0.1uF	50V	X7R	GRM155R71H104KE14D	K22178872		1-	A	
C 4442	CHIP CAP.	0.1uF	50V	X7R	GRM155R71H104KE14D	K22178872		1-	A	
C 4443	CHIP CAP.	0.01uF	50V	X7R	GRM155R71H103KA88D	K22178848		1-	A	
C 4444	CHIP CAP.	0.1uF	50V	X7R	GRM155R71H104KE14D	K22178872		1-	A	
C 4445	CHIP CAP.	0.1uF	50V	X7R	GRM155R71H104KE14D	K22178872		1-	A	
C 4446	CHIP CAP.	27pF	50V	CH	GRM1552C1H270JA01D	K22178222		1-	A	
C 4447	CHIP CAP.	0.1uF	50V	X7R	GRM155R71H104KE14D	K22178872		1-	A	
C 4448	CHIP CAP.	0.001uF	50V	C0G	GRM1555C1H102JA01D	K22179756		1-	A	
C 4449	CHIP CAP.	0.1uF	50V	X7R	GRM155R71H104KE14D	K22178872		1-	A	
C 4450	CHIP CAP.	0.1uF	50V	X7R	GRM155R71H104KE14D	K22178872		1-	A	
C 4451	CHIP CAP.	0.001uF	50V	B	GRM155B11H102KA01D	K22178809		1-	A	
C 4452	CHIP CAP.	0.1uF	50V	X7R	GRM155R71H104KE14D	K22178872		1-	A	
C 4453	CHIP CAP.	0.001uF	50V	B	GRM155B11H102KA01D	K22178809		1-	A	
C 4454	CHIP CAP.	0.001uF	50V	C0G	GRM1555C1H102JA01D	K22179756		1-	A	
C 4455	CHIP CAP.	0.001uF	50V	C0G	GRM1555C1H102JA01D	K22179756		1-	A	
C 4456	CHIP CAP.	0.001uF	50V	C0G	GRM1555C1H102JA01D	K22179756		1-	A	
C 4457	CHIP CAP.	0.001uF	50V	C0G	GRM1555C1H102JA01D	K22179756		1-	A	
C 4458	CHIP CAP.	0.1uF	50V	X7R	GRM155R71H104KE14D	K22178872		1-	A	
C 4459	CHIP CAP.	0.1uF	50V	X7R	GRM155R71H104KE14D	K22178872		1-	A	
C 4460	CHIP CAP.	0.001uF	50V	C0G	GRM1555C1H102JA01D	K22179756		1-	A	
C 4461	CHIP CAP.	0.001uF	50V	C0G	GRM1555C1H102JA01D	K22179756		1-	A	
C 4462	CHIP CAP.	0.001uF	50V	B	GRM155B11H102KA01D	K22178809		1-	A	
C 4463	CHIP CAP.	0.1uF	50V	X7R	GRM155R71H104KE14D	K22178872		1-	A	
C 4464	CHIP CAP.	0.1uF	50V	X7R	GRM155R71H104KE14D	K22178872		1-	A	
C 4465	CHIP CAP.	0.01uF	50V	X7R	GRM155R71H103KA88D	K22178848		1-	A	
C 4466	CHIP CAP.	0.1uF	50V	X7R	GRM155R71H104KE14D	K22178872		1-	A	
C 4467	CHIP CAP.	0.001uF	50V	C0G	GRM1555C1H102JA01D	K22179756		1-	A	
C 4468	CHIP CAP.	0.001uF	50V	B	GRM155B11H102KA01D	K22178809		1-	A	
C 4469	CHIP CAP.	0.1uF	50V	X7R	GRM155R71H104KE14D	K22178872		1-	A	
C 4470	CHIP CAP.	0.1uF	50V	X7R	GRM155R71H104KE14D	K22178872		1-	A	
C 4471	CHIP CAP.	0.1uF	50V	X7R	GRM155R71H104KE14D	K22178872		1-	A	
C 4472	CHIP CAP.	0.1uF	50V	X7R	GRM155R71H104KE14D	K22178872		1-	A	
C 4473	CHIP CAP.	0.001uF	50V	C0G	GRM1555C1H102JA01D	K22179756		1-	A	
C 4474	CHIP CAP.	0.001uF	50V	B	GRM155B11H102KA01D	K22178809		1-	A	
C 4475	AL.ELECTRO.CAP.	220uF	16V		EMVA160ADA221MF80G	K48120021		1-	A	
C 4476	CHIP CAP.	9pF	50V	CH	GRM1552C1H9R0DA01D	K22178211		1-	A	
C 4477	AL.ELECTRO.CAP.	220uF	16V		EMVA160ADA221MF80G	K48120021		1-	A	
C 4478	CHIP CAP.	0.01uF	50V	X7R	GRM155R71H103KA88D	K22178848		1-	A	

RX-2 Unit Parts List

REF	DESCRIPTION	VALUE	V/W	TOL.	MFR'S DESIG	YAESU P/N	VERS.	LOT	SIDE	LAY ADR
C 4479	CHIP TA.CAP.	10uF	16V		TMCMA1C106MTRF	K78120077		1-	A	
C 4480	CHIP CAP.	0.1uF	50V	X7R	GRM155R71H104KE14D	K22178872		1-	A	
C 4481	CHIP CAP.	0.001uF	50V	C0G	GRM1555C1H102JA01D	K22179756		1-	A	
C 4482	CHIP CAP.	0.1uF	50V	X7R	GRM155R71H104KE14D	K22178872		1-	A	
C 4483	CHIP CAP.	0.001uF	50V	C0G	GRM1555C1H102JA01D	K22179756		1-	A	
C 4484	CHIP CAP.	10uF	25V	B	GRM188R61E106MA73D	K22144818		1-	A	
C 4485	CHIP CAP.	0.1uF	50V	X7R	GRM155R71H104KE14D	K22178872		1-	A	
C 4486	CHIP CAP.	0.1uF	50V	X7R	GRM155R71H104KE14D	K22178872		1-	A	
C 4487	CHIP CAP.	0.01uF	50V	X7R	GRM155R71H103KA88D	K22178848		1-	A	
C 4488	CHIP CAP.	0.1uF	50V	X7R	GRM155R71H104KE14D	K22178872		1-	A	
C 4489	CHIP CAP.	0.1uF	50V	X7R	GRM155R71H104KE14D	K22178872		1-	A	
C 4490	CHIP CAP.	0.01uF	50V	X7R	GRM155R71H103KA88D	K22178848		1-	A	
C 4491	CHIP CAP.	0.001uF	50V	B	GRM155B11H102KA01D	K22178809		1-	A	
C 4492	CHIP TA.CAP.	10uF	16V		TMCMA1C106MTRF	K78120077		1-	A	
C 4493	CHIP CAP.	0.1uF	50V	X7R	GRM155R71H104KE14D	K22178872		1-	A	
C 4494	CHIP CAP.	0.01uF	50V	X7R	GRM155R71H103KA88D	K22178848		1-	A	
C 4496	CHIP TA.CAP.	10uF	16V		TMCMA1C106MTRF	K78120077		1-	A	
C 4497	CHIP CAP.	0.01uF	50V	X7R	GRM155R71H103KA88D	K22178848		1-	A	
C 4498	CHIP CAP.	0.001uF	50V	B	GRM155B11H102KA01D	K22178809		1-	A	
C 4499	CHIP CAP.	150pF	50V	CH	GRM1552C1H151JA01D	K22178240		1-	A	
C 4500	CHIP CAP.	0.001uF	50V	B	GRM155B11H102KA01D	K22178809		1-	A	
C 4501	CHIP CAP.	2pF	50V	CK	GRM1554C1H2R0CA01D	K22178204		1-	A	
C 4502	CHIP CAP.	0.1uF	50V	X7R	GRM155R71H104KE14D	K22178872		1-	A	
C 4503	CHIP CAP.	2pF	50V	CK	GRM1554C1H2R0CA01D	K22178204		1-	A	
C 4504	AL.ELECTRO.CAP.	220uF	16V		EMVA160ADA221MF80G	K48120021		1-	A	
C 4505	CHIP CAP.	22pF	50V	CH	GRM1552C1H220JA01D	K22178220		1-	A	
C 4506	CHIP CAP.	150pF	50V	CH	GRM1552C1H151JA01D	K22178240		1-	A	
C 4507	CHIP CAP.	270pF	50V	CH	GRM1552C1H271JA01D	K22179715		1-	A	
C 4508	CHIP CAP.	43pF	50V	CH	GRM1552C1H430JA01D	K22178227		1-	A	
C 4509	CHIP CAP.	270pF	50V	CH	GRM1552C1H271JA01D	K22179715		1-	A	
C 4510	CHIP CAP.	0.01uF	50V	X7R	GRM155R71H103KA88D	K22178848		1-	A	
C 4511	CHIP CAP.	0.01uF	50V	X7R	GRM155R71H103KA88D	K22178848		1-	A	
C 4512	CHIP CAP.	43pF	50V	CH	GRM1552C1H430JA01D	K22178227		1-	A	
C 4513	CHIP CAP.	0.01uF	50V	X7R	GRM155R71H103KA88D	K22178848		1-	A	
C 4514	CHIP CAP.	0.1uF	50V	X7R	GRM155R71H104KE14D	K22178872		1-	A	
C 4515	CHIP CAP.	22pF	50V	CH	GRM1552C1H220JA01D	K22178220		1-	A	
C 4516	CHIP CAP.	0.01uF	50V	X7R	GRM155R71H103KA88D	K22178848		1-	A	
C 4517	CHIP CAP.	0.01uF	50V	X7R	GRM155R71H103KA88D	K22178848		1-	A	
C 4518	CHIP CAP.	27pF	50V	CH	GRM1552C1H270JA01D	K22178222		1-	A	
C 4519	CHIP TA.CAP.	1uF	35V		F931V105MAA	K78160092		1-	A	
C 4520	CHIP CAP.	0.1uF	50V	X7R	GRM155R71H104KE14D	K22178872		1-	A	
C 4521	CHIP CAP.	0.001uF	50V	C0G	GRM1555C1H102JA01D	K22179756		1-	A	
C 4522	CHIP CAP.	0.001uF	50V	C0G	GRM1555C1H102JA01D	K22179756		1-	A	
C 4523	CHIP CAP.	0.001uF	50V	B	GRM155B11H102KA01D	K22178809		1-	A	
C 4524	CHIP CAP.	0.01uF	50V	X7R	GRM155R71H103KA88D	K22178848		1-	A	
C 4525	CHIP CAP.	22pF	50V	CH	GRM1552C1H220JA01D	K22178220		1-	A	
C 4526	CHIP CAP.	0.1uF	50V	X7R	GRM155R71H104KE14D	K22178872		1-	A	
C 4527	CHIP CAP.	0.1uF	50V	X7R	GRM155R71H104KE14D	K22178872		1-	A	
C 4528	CHIP CAP.	0.01uF	50V	X7R	GRM155R71H103KA88D	K22178848		1-	A	
C 4529	CHIP CAP.	9pF	50V	CH	GRM1552C1H9R0DA01D	K22178211		1-	A	
C 4531	CHIP CAP.	56pF	50V	CH	GRM1552C1H560JA01D	K22178230		1-	A	
C 4532	CHIP CAP.	5pF	50V	CH	GRM1552C1H5R0CA01D	K22178207		1-	A	
C 4533	CHIP CAP.	0.001uF	50V	B	GRM155B11H102KA01D	K22178809		1-	A	
C 4534	CHIP CAP.	10uF	25V	B	GRM188R61E106MA73D	K22144818		1-	A	
C 4535	CHIP CAP.	0.1uF	50V	X7R	GRM155R71H104KE14D	K22178872		1-	A	
C 4536	CHIP CAP.	0.01uF	50V	X7R	GRM155R71H103KA88D	K22178848		1-	A	
C 4537	CHIP CAP.	27pF	50V	CH	GRM1552C1H270JA01D	K22178222		1-	A	
C 4538	CHIP CAP.	2pF	50V	CK	GRM1554C1H2R0CA01D	K22178204		1-	A	
C 4539	CHIP CAP.	0.001uF	50V	B	GRM155B11H102KA01D	K22178809		1-	A	
C 4540	CHIP CAP.	56pF	50V	CH	GRM1552C1H560JA01D	K22178230		1-	A	
C 4541	CHIP CAP.	0.01uF	50V	X7R	GRM155R71H103KA88D	K22178848		1-	A	
C 4542	CHIP CAP.	0.01uF	50V	X7R	GRM155R71H103KA88D	K22178848		1-	A	
C 4543	CHIP CAP.	0.1uF	50V	X7R	GRM155R71H104KE14D	K22178872		1-	A	
C 4544	CHIP CAP.	0.01uF	50V	X7R	GRM155R71H103KA88D	K22178848		1-	A	
C 4545	CHIP CAP.	150pF	50V	CH	GRM1552C1H151JA01D	K22178240		1-	A	
C 4546	CHIP CAP.	0.1uF	50V	X7R	GRM155R71H104KE14D	K22178872		1-	A	
C 4548	CHIP CAP.	0.1uF	50V	X7R	GRM155R71H104KE14D	K22178872		1-	A	
C 4549	CHIP CAP.	0.1uF	50V	X7R	GRM155R71H104KE14D	K22178872		1-	A	
C 4550	CHIP CAP.	6pF	50V	CH	GRM1552C1H6R0DA01D	K22178208		1-	A	
C 4551	CHIP CAP.	0.01uF	50V	X7R	GRM155R71H103KA88D	K22178848		1-	A	
C 4552	CHIP CAP.	0.001uF	50V	B	GRM155B11H102KA01D	K22178809		1-	A	
C 4553	CHIP CAP.	39pF	50V	CH	GRM1552C1H390JA01D	K22178226		1-	A	
C 4554	CHIP CAP.	0.01uF	50V	X7R	GRM155R71H103KA88D	K22178848		1-	A	
C 4555	CHIP TA.CAP.	10uF	16V		TMCMA1C106MTRF	K78120077		1-	A	
C 4556	CHIP CAP.	270pF	50V	CH	GRM1552C1H271JA01D	K22179715		1-	A	

RX-2 Unit

Parts List

REF	DESCRIPTION	VALUE	V/W	TOL.	MFR'S DESIG	YAESU P/N	VERS.	LOT	SIDE	LAY ADR
C 4558	CHIP CAP.	0.1uF	50V	X7R	GRM155R71H104KE14D	K22178872		1-	A	
C 4559	CHIP CAP.	0.01uF	50V	X7R	GRM155R71H103KA88D	K22178848		1-	A	
C 4562	CHIP CAP.	10pF	50V	CH	GRM1552C1H100JA01D	K22178212		1-	A	
C 4563	CHIP CAP.	0.1uF	50V	X7R	GRM155R71H104KE14D	K22178872		1-	A	
C 4564	CHIP CAP.	0.01uF	50V	X7R	GRM155R71H103KA88D	K22178848		1-	A	
C 4565	CHIP CAP.	0.001uF	50V	B	GRM155B11H102KA01D	K22178809		1-	A	
C 4566	CHIP CAP.	15pF	50V	CH	GRM1552C1H150JA01D	K22178216		1-	A	
C 4567	CHIP CAP.	150pF	50V	CH	GRM1552C1H151JA01D	K22178240		1-	A	
C 4568	CHIP CAP.	0.1uF	50V	X7R	GRM155R71H104KE14D	K22178872		1-	A	
C 4569	CHIP CAP.	0.01uF	50V	X7R	GRM155R71H103KA88D	K22178848		1-	A	
C 4570	CHIP CAP.	0.1uF	50V	X7R	GRM155R71H104KE14D	K22178872		1-	A	
C 4573	CHIP CAP.	0.001uF	50V	B	GRM155B11H102KA01D	K22178809		1-	A	
C 4574	CHIP CAP.	220pF	50V	CH	GRM1552C1H221JA01D	K22179713		1-	A	
C 4575	CHIP CAP.	0.001uF	50V	B	GRM155B11H102KA01D	K22178809		1-	A	
C 4576	CHIP CAP.	0.001uF	50V	B	GRM155B11H102KA01D	K22178809		1-	A	
C 4577	CHIP CAP.	0.01uF	50V	X7R	GRM155R71H103KA88D	K22178848		1-	A	
C 4579	CHIP CAP.	0.1uF	50V	X7R	GRM155R71H104KE14D	K22178872		1-	A	
C 4580	CHIP CAP.	0.1uF	50V	X7R	GRM155R71H104KE14D	K22178872		1-	A	
C 4581	CHIP CAP.	0.1uF	50V	X7R	GRM155R71H104KE14D	K22178872		1-	A	
C 4582	CHIP TA.CAP.	15uF	35V		TMCME1V156MTRF	K78160039		1-	A	
C 4583	AL.ELECTRO.CAP.	220uF	16V		EMVA160ADA221MF80G	K48120021		1-	A	
C 4584	CHIP CAP.	0.1uF	50V	X7R	GRM155R71H104KE14D	K22178872		1-	A	
C 4585	CHIP CAP.	0.1uF	50V	X7R	GRM155R71H104KE14D	K22178872		1-	A	
C 4586	CHIP CAP.	0.001uF	50V	B	GRM155B11H102KA01D	K22178809		1-	A	
C 4587	CHIP CAP.	0.01uF	50V	X7R	GRM155R71H103KA88D	K22178848		1-	A	
C 4588	CHIP CAP.	0.1uF	50V	X7R	GRM155R71H104KE14D	K22178872		1-	A	
C 4589	CHIP CAP.	0.001uF	50V	B	GRM155B11H102KA01D	K22178809		1-	A	
C 4590	CHIP CAP.	0.001uF	50V	C0G	GRM1555C1H102JA01D	K22179756		1-	A	
C 4591	CHIP CAP.	5pF	50V	CH	GRM1552C1H5R0CA01D	K22178207		1-	A	
C 4592	CHIP CAP.	9pF	50V	CH	GRM1552C1H9R0DA01D	K22178211		1-	A	
C 4593	CHIP CAP.	0.1uF	50V	X7R	GRM155R71H104KE14D	K22178872		1-	A	
C 4594	CHIP CAP.	0.1uF	50V	X7R	GRM155R71H104KE14D	K22178872		1-	A	
C 4595	CHIP CAP.	0.1uF	50V	X7R	GRM155R71H104KE14D	K22178872		1-	A	
C 4596	CHIP CAP.	0.1uF	50V	X7R	GRM155R71H104KE14D	K22178872		1-	A	
C 4597	CHIP CAP.	0.001uF	50V	B	GRM155B11H102KA01D	K22178809		1-	A	
C 4598	CHIP CAP.	0.001uF	50V	B	GRM155B11H102KA01D	K22178809		1-	A	
C 4599	CHIP CAP.	0.01uF	50V	X7R	GRM155R71H103KA88D	K22178848		1-	A	
C 4602	CHIP CAP.	0.001uF	50V	B	GRM155B11H102KA01D	K22178809		1-	A	
C 4603	CHIP CAP.	0.01uF	50V	X7R	GRM155R71H103KA88D	K22178848		1-	A	
C 4604	CHIP CAP.	0.1uF	50V	X7R	GRM155R71H104KE14D	K22178872		1-	A	
C 4605	CHIP CAP.	0.1uF	50V	X7R	GRM155R71H104KE14D	K22178872		1-	A	
C 4606	CHIP CAP.	47pF	50V	CH	GRM1552C1H470JA01D	K22178228		1-	A	
C 4607	CHIP CAP.	47pF	50V	CH	GRM1552C1H470JA01D	K22178228		1-	A	
C 4608	CHIP CAP.	100pF	50V	CH	GRM1552C1H101JA01D	K22178236		1-	A	
C 4609	CHIP CAP.	33pF	50V	CH	GRM1552C1H330JA01D	K22178224		1-	A	
C 4610	CHIP CAP.	68pF	50V	CH	GRM1552C1H680JA01D	K22178232		1-	A	
C 4611	CHIP CAP.	100pF	50V	CH	GRM1552C1H101JA01D	K22178236		1-	A	
C 4612	CHIP CAP.	68pF	50V	CH	GRM1552C1H680JA01D	K22178232		1-	A	
C 4614	CHIP CAP.	18pF	50V	CH	GRM1552C1H180JA01D	K22178218		1-	A	
C 4615	CHIP CAP.	100pF	50V	CH	GRM1552C1H101JA01D	K22178236		1-	A	
C 4616	CHIP CAP.	18pF	50V	CH	GRM1552C1H180JA01D	K22178218		1-	A	
C 4617	CHIP CAP.	27pF	50V	CH	GRM1552C1H270JA01D	K22178222		1-	A	
C 4618	CHIP CAP.	0.001uF	50V	C0G	GRM1555C1H102JA01D	K22179756		1-	A	
C 4619	CHIP CAP.	0.001uF	50V	C0G	GRM1555C1H102JA01D	K22179756		1-	A	
C 4620	CHIP CAP.	0.001uF	50V	C0G	GRM1555C1H102JA01D	K22179756		1-	A	
C 4621	CHIP CAP.	0.001uF	50V	C0G	GRM1555C1H102JA01D	K22179756		1-	A	
C 4622	CHIP CAP.	0.001uF	50V	C0G	GRM1555C1H102JA01D	K22179756		1-	A	
C 4623	CHIP CAP.	0.001uF	50V	C0G	GRM1555C1H102JA01D	K22179756		1-	A	
C 4624	CHIP CAP.	0.001uF	50V	C0G	GRM1555C1H102JA01D	K22179756		1-	A	
C 4625	CHIP CAP.	0.001uF	50V	C0G	GRM1555C1H102JA01D	K22179756		1-	A	
C 4626	CHIP CAP.	15pF	50V	CH	GRM1552C1H150JA01D	K22178216		1-	A	
C 4627	CHIP CAP.	22pF	50V	CH	GRM1552C1H220JA01D	K22178220		1-	A	
C 4628	CHIP CAP.	22pF	50V	CH	GRM1552C1H220JA01D	K22178220		1-	A	
C 4632	CHIP CAP.	0.1uF	50V	X7R	GRM155R71H104KE14D	K22178872		1-	A	
C 4633	CHIP CAP.	0.001uF	50V	C0G	GRM1555C1H102JA01D	K22179756		1-	A	
C 4634	CHIP CAP.	0.001uF	50V	C0G	GRM1555C1H102JA01D	K22179756		1-	A	
C 4635	CHIP CAP.	0.1uF	50V	X7R	GRM155R71H104KE14D	K22178872		1-	A	
C 4636	CHIP CAP.	0.01uF	50V	X7R	GRM155R71H103KA88D	K22178848		1-	A	
C 4637	CHIP CAP.	0.1uF	50V	X7R	GRM155R71H104KE14D	K22178872		1-	A	
C 4638	CHIP CAP.	0.001uF	50V	B	GRM155B11H102KA01D	K22178809		1-	A	
C 4639	CHIP CAP.	0.1uF	50V	X7R	GRM155R71H104KE14D	K22178872		1-	A	
C 4640	CHIP CAP.	0.01uF	50V	X7R	GRM155R71H103KA88D	K22178848		1-	A	
C 4641	CHIP CAP.	0.001uF	50V	B	GRM155B11H102KA01D	K22178809		1-	A	
C 4642	CHIP CAP.	0.1uF	50V	X7R	GRM155R71H104KE14D	K22178872		1-	A	
C 4643	CHIP CAP.	0.01uF	50V	X7R	GRM155R71H103KA88D	K22178848		1-	A	

RX-2 Unit

Parts List

REF	DESCRIPTION	VALUE	V/W	TOL.	MFR'S DESIG	YAESU P/N	VERS.	LOT	SIDE	LAY ADR
C 4644	AL.ELECTRO.CAP.	220uF	16V		EMVA160ADA221MF80G	K48120021		1-	A	
C 4645	AL.ELECTRO.CAP.	220uF	16V		EMVA160ADA221MF80G	K48120021		1-	A	
C 4646	CHIP CAP.	10uF	25V	B	GRM188R61E106MA73D	K22144818		1-	A	
C 4647	CHIP CAP.	10uF	25V	B	GRM188R61E106MA73D	K22144818		1-	A	
C 4648	CHIP CAP.	10uF	25V	B	GRM188R61E106MA73D	K22144818		1-	A	
C 4649	CHIP CAP.	0.001uF	50V	C0G	GRM1555C1H102JA01D	K22179756		1-	A	
C 4650	CHIP TA.CAP.	1uF	35V		F931V105MAA	K78160092		1-	A	
C 4651	AL.ELECTRO.CAP.	220uF	16V		EMVA160ADA221MF80G	K48120021		1-	A	
C 4652	CHIP TA.CAP.	4.7uF	25V		F921E475MAA	K78140036		1-	A	
C 4653	CHIP CAP.	0.001uF	50V	C0G	GRM1555C1H102JA01D	K22179756		1-	A	
C 4654	CHIP CAP.	0.1uF	50V	X7R	GRM155R71H104KE14D	K22178872		1-	A	
C 4655	CHIP TA.CAP.	1uF	35V		F931V105MAA	K78160092		1-	A	
C 4657	CHIP TA.CAP.	2.2uF	25V		TMCMA1E225MTRF	K78140020		1-	A	
C 4658	CHIP CAP.	0.01uF	50V	X7R	GRM155R71H103KA88D	K22178848		1-	A	
C 4659	CHIP CAP.	0.1uF	50V	X7R	GRM155R71H104KE14D	K22178872		1-	A	
C 4660	CHIP CAP.	0.01uF	50V	X7R	GRM155R71H103KA88D	K22178848		1-	A	
C 4661	CHIP CAP.	0.01uF	50V	X7R	GRM155R71H103KA88D	K22178848		1-	A	
C 4662	CHIP CAP.	0.001uF	50V	C0G	GRM1555C1H102JA01D	K22179756		1-	A	
C 4663	CHIP CAP.	0.01uF	50V	X7R	GRM155R71H103KA88D	K22178848		1-	A	
C 4664	CHIP CAP.	0.1uF	50V	X7R	GRM155R71H104KE14D	K22178872		1-	A	
C 4665	CHIP CAP.	0.1uF	50V	X7R	GRM155R71H104KE14D	K22178872		1-	A	
C 4666	AL.ELECTRO.CAP.	10uF	25V		EMVA250ADA100MD55G	K48140014		1-	A	
C 4667	AL.ELECTRO.CAP.	10uF	25V		EMVA250ADA100MD55G	K48140014		1-	A	
C 4669	CHIP CAP.	18pF	50V	CH	GRM1552C1H180JA01D	K22178218		1-	A	
C 4672	CHIP CAP.	0.0022uF	50V	C0G	GRM1555C1H222JA01D	K22179764		1-	A	
C 4673	CHIP CAP.	0.0022uF	50V	C0G	GRM1555C1H222JA01D	K22179764		1-	A	
C 4674	CHIP CAP.	820pF	50V	C0G	GRM1555C1H821JA01D	K22179754		1-	A	
C 4675	CHIP CAP.	820pF	50V	C0G	GRM1555C1H821JA01D	K22179754		1-	A	
C 4676	CHIP CAP.	10pF	50V	CH	GRM1552C1H100JA01D	K22178212		1-	A	
C 4677	CHIP CAP.	10pF	50V	CH	GRM1552C1H100JA01D	K22178212		1-	A	
C 4678	CHIP CAP.	0.001uF	50V	C0G	GRM1555C1H102JA01D	K22179756		1-	A	
C 4679	CHIP CAP.	0.001uF	50V	C0G	GRM1555C1H102JA01D	K22179756		1-	A	
C 4680	CHIP CAP.	0.001uF	50V	C0G	GRM1555C1H102JA01D	K22179756		1-	A	
C 4681	CHIP CAP.	0.001uF	50V	C0G	GRM1555C1H102JA01D	K22179756		1-	A	
C 4682	CHIP CAP.	0.1uF	50V	X7R	GRM155R71H104KE14D	K22178872		1-	A	
C 4683	CHIP CAP.	0.1uF	50V	X7R	GRM155R71H104KE14D	K22178872		1-	A	
C 4684	CHIP CAP.	0.1uF	50V	X7R	GRM155R71H104KE14D	K22178872		1-	A	
C 4685	CHIP CAP.	0.001uF	50V	B	GRM155B11H102KA01D	K22178809		1-	A	
C 4686	CHIP CAP.	10uF	25V	B	GRM188R61E106MA73D	K22144818		1-	A	
C 4687	CHIP CAP.	0.1uF	50V	X7R	GRM155R71H104KE14D	K22178872		1-	A	
C 4688	CHIP CAP.	0.01uF	50V	X7R	GRM155R71H103KA88D	K22178848		1-	A	
C 4689	CHIP CAP.	0.01uF	50V	X7R	GRM155R71H103KA88D	K22178848		1-	A	
C 4690	CHIP CAP.	0.1uF	50V	X7R	GRM155R71H104KE14D	K22178872		1-	A	
C 4691	CHIP TA.CAP.	15uF	35V		TMCME1V156MTRF	K78160039		1-	A	
C 4692	CHIP CAP.	0.001uF	50V	B	GRM155B11H102KA01D	K22178809		1-	A	
C 4693	CHIP CAP.	0.001uF	50V	B	GRM155B11H102KA01D	K22178809		1-	A	
C 4694	CHIP CAP.	0.01uF	50V	X7R	GRM155R71H103KA88D	K22178848		1-	A	
C 4695	CHIP CAP.	0.01uF	50V	X7R	GRM155R71H103KA88D	K22178848		1-	A	
C 4696	CHIP CAP.	0.1uF	50V	X7R	GRM155R71H104KE14D	K22178872		1-	A	
C 4697	CHIP CAP.	0.1uF	50V	X7R	GRM155R71H104KE14D	K22178872		1-	A	
C 4698	CHIP CAP.	0.1uF	50V	X7R	GRM155R71H104KE14D	K22178872		1-	A	
C 4699	AL.ELECTRO.CAP.	220uF	16V		EMVA160ADA221MF80G	K48120021		1-	A	
C 4700	CHIP CAP.	5pF	50V	CH	GRM1552C1H5R0CA01D	K22178207		1-	A	
C 4701	CHIP CAP.	5pF	50V	CH	GRM1552C1H5R0CA01D	K22178207		1-	A	
C 4702	CHIP CAP.	10uF	10V	B	GRM188B31A106ME69D	K22104810		1-	A	
C 4703	CHIP CAP.	27pF	50V	CH	GRM1552C1H270JA01D	K22178222		1-	A	
C 4704	CHIP CAP.	56pF	50V	CH	GRM1552C1H560JA01D	K22178230		1-	A	
C 4705	CHIP CAP.	56pF	50V	CH	GRM1552C1H560JA01D	K22178230		1-	A	
C 4706	CHIP CAP.	27pF	50V	CH	GRM1552C1H270JA01D	K22178222		1-	A	
C 4708	CHIP CAP.	10pF	50V	CH	GRM1882C1H100JA01D	K22174211		1-	A	
C 4709	CHIP CAP.	10pF	50V	CH	GRM1882C1H100JA01D	K22174211		1-	A	
D 4001	SURGE ABSORBER				1608SGXA2-TR2	Q9000891		1-	A	
D 4003	DIODE				RN142S TE61	G2070994		1-	A	
D 4004	DIODE				RN142S TE61	G2070994		1-	A	
D 4005	DIODE				RN142S TE61	G2070994		1-	A	
D 4006	DIODE				RN142S TE61	G2070994		1-	A	
D 4007	DIODE				RN142S TE61	G2070994		1-	A	
D 4008	DIODE				RN142S TE61	G2070994		1-	A	
D 4009	DIODE				RN142S TE61	G2070994		1-	A	
D 4010	DIODE				RN142S TE61	G2070994		1-	A	
D 4011	DIODE				RN142S TE61	G2070994		1-	A	
D 4012	DIODE				RN142S TE61	G2070994		1-	A	
D 4013	DIODE				BAS316	G2070716		1-	A	
D 4014	DIODE				RN142S TE61	G2070994		1-	A	
D 4015	DIODE				RN142S TE61	G2070994		1-	A	

RX-2 Unit

Parts List

REF	DESCRIPTION	VALUE	V/W	TOL.	MFR'S DESIG	YAESU P/N	VERS.	LOT	SIDE	LAY ADR
D 4016	DIODE				BAS316	G2070716		1-	A	
D 4017	DIODE				RN142S TE61	G2070994		1-	A	
D 4018	DIODE				RN142S TE61	G2070994		1-	A	
D 4019	DIODE				RN142S TE61	G2070994		1-	A	
D 4020	DIODE				RN142S TE61	G2070994		1-	A	
D 4021	DIODE				RN142S TE61	G2070994		1-	A	
D 4022	DIODE				RN142S TE61	G2070994		1-	A	
D 4023	DIODE				RN142S TE61	G2070994		1-	A	
D 4024	DIODE				RN142S TE61	G2070994		1-	A	
D 4025	DIODE				RN142S TE61	G2070994		1-	A	
D 4026	DIODE				BAS316	G2070716		1-	A	
D 4027	DIODE				BAS316	G2070716		1-	A	
D 4028	DIODE				BAS316	G2070716		1-	A	
D 4029	DIODE				BAS316	G2070716		1-	A	
D 4030	DIODE				BAS316	G2070716		1-	A	
D 4031	DIODE				BAS316	G2070716		1-	A	
D 4032	DIODE				RN142S TE61	G2070994		1-	A	
D 4033	DIODE				RN142S TE61	G2070994		1-	A	
D 4034	DIODE				RN142S TE61	G2070994		1-	A	
D 4035	DIODE				RN142S TE61	G2070994		1-	A	
D 4036	DIODE				RN142S TE61	G2070994		1-	A	
D 4037	DIODE				BAS316	G2070716		1-	A	
D 4038	DIODE				BAS316	G2070716		1-	A	
D 4039	DIODE				RN142S TE61	G2070994		1-	A	
D 4040	DIODE				RN142S TE61	G2070994		1-	A	
D 4041	DIODE				RN142S TE61	G2070994		1-	A	
D 4042	DIODE				RN142S TE61	G2070994		1-	A	
D 4043	DIODE				RN142S TE61	G2070994		1-	A	
D 4044	DIODE				RB886Y G T2R	G2071464		1-	A	
D 4045	DIODE				BAS316	G2070716		1-	A	
D 4046	DIODE				RN142S TE61	G2070994		1-	A	
D 4047	DIODE				RN142S TE61	G2070994		1-	A	
D 4048	DIODE				RN142S TE61	G2070994		1-	A	
D 4049	DIODE				RN142S TE61	G2070994		1-	A	
D 4052	DIODE				RN142S TE61	G2070994		1-	A	
D 4053	DIODE				RN142S TE61	G2070994		1-	A	
D 4055	DIODE				BAS316	G2070716		1-	A	
D 4056	DIODE				RN142S TE61	G2070994		1-	A	
D 4057	DIODE				RN142S TE61	G2070994		1-	A	
D 4059	DIODE				RN142S TE61	G2070994		1-	A	
D 4060	DIODE				RN142S TE61	G2070994		1-	A	
FB4001	FERRITE BEADS				BLM18BD182SN1D	L1690602		1-	A	
FB4002	FERRITE BEADS				BLM18BD182SN1D	L1690602		1-	A	
FB4003	FERRITE BEADS				BLM18BD182SN1D	L1690602		1-	A	
FB4004	FERRITE BEADS				BLM18BD182SN1D	L1690602		1-	A	
FB4005	FERRITE BEADS				BLM18BD182SN1D	L1690602		1-	A	
FB4006	FERRITE BEADS				BLM18BD182SN1D	L1690602		1-	A	
FB4007	FERRITE BEADS				BLM18BD182SN1D	L1690602		1-	A	
FB4008	FERRITE BEADS				BLM18BD182SN1D	L1690602		1-	A	
FB4009	FERRITE BEADS				BLM18BD182SN1D	L1690602		1-	A	
FB4011	FERRITE BEADS				BLM18BD601SN1D	L9190143		1-	A	
FB4012	FERRITE BEADS				BLM18BD182SN1D	L1690602		1-	A	
J 4001	CONNECTOR				U.FL-R-SMT(10)	P1091155		1-	A	
J 4002	CONNECTOR				U.FL-R-SMT(10)	P1091155		1-	A	
J 4003	CONNECTOR				U.FL-R-SMT(10)	P1091155		1-	A	
J 4004	CONNECTOR				40FLT-SM2-TB(LF)(SN)(M)	P1091251		1-	A	
J 4005	CONNECTOR				18FLT-SM2-TB(LF)(SN)(M)	P1091176		1-	A	
J 4006	CONNECTOR				U.FL-R-SMT(10)	P1091155		1-	A	
J 4007	CONNECTOR				U.FL-R-SMT(10)	P1091155		1-	A	
J 4008	CONNECTOR				LP-0848B-3B	P1091660		1-	A	
J 4009	CONNECTOR				U.FL-R-SMT(10)	P1091155		1-	A	
J 4010	CONNECTOR				U.FL-R-SMT(10)	P1091155		1-	A	
J 4012	CONNECTOR				U.FL-R-SMT(10)	P1091155		1-	A	
J 4013	CONNECTOR				LP-0848B-3B	P1091660		1-	A	
J 4014	CONNECTOR				U.FL-R-SMT(10)	P1091155		1-	A	
J 4015	CONNECTOR				U.FL-R-SMT(10)	P1091155		1-	A	
L 4001	M.RFC	1000uH			LLM3225-102J	L1691157		1-	A	
L 4002	CHIP COIL	0.15uH		2%	C2520C-R15G-RA	L1691296		1-	A	
L 4003	CHIP COIL	0.15uH		2%	C2520C-R15G-RA	L1691296		1-	A	
L 4004	M.RFC	1000uH			LLM3225-102J	L1691157		1-	A	
L 4005	M.RFC	8.2uH		5%	1008LS-822XJLC	L1691482		1-	A	
L 4006	M.RFC	1.8uH		5%	1008LS-182XJLC	L1691474		1-	A	
L 4007	M.RFC	1uH		5%	1008LS-102XJLC	L1691471		1-	A	
L 4008	CHIP COIL	0.56uH		2%	C2520C-R56G-RA	L1691303		1-	A	
L 4009	M.RFC	0.39uH		2%	HA4036-ALC	L1692002		1-	A	

RX-2 Unit

Parts List

REF	DESCRIPTION	VALUE	V/W	TOL.	MFR'S DESIG	YAESU P/N	VERS.	LOT	SIDE	LAY ADR
L 4010	M.RFC	0.15uH		2%	HA4031-ALC	L1691992		1-	A	
L 4011	CHIP COIL	0.1uH		2%	C2520C-R10G-RA	L1691294		1-	A	
L 4012	CHIP COIL	0.15uH		2%	C2520C-R15G-RA	L1691296		1-	A	
L 4013	M.RFC	3.9uH			LLM3225-3R9J	L1691128		1-	A	
L 4014	CHIP COIL	0.56uH		2%	C2520C-R56G-RA	L1691303		1-	A	
L 4015	CHIP COIL	0.27uH		2%	C2520C-R27G-RA	L1691299		1-	A	
L 4016	M.RFC	8.2uH		5%	1008LS-822XJLC	L1691482		1-	A	
L 4017	M.RFC	8.2uH		5%	1008LS-822XJLC	L1691482		1-	A	
L 4018	M.RFC	3.9uH		5%	1008LS-392XJLC	L1691478		1-	A	
L 4019	M.RFC	3.3uH		2%	SDWL4532C3R3GSTF	L1692118		1-	A	
L 4020	M.RFC	2.7uH		2%	SDWL4532C2R7GSTF	L1692116		1-	A	
L 4021	M.RFC	1.5uH		2%	1812CS-152XGLC	L1692008		1-	A	
L 4022	M.RFC	1.8uH		2%	SDWL4532C1R8GSTF	L1692112		1-	A	
L 4023	CHIP COIL	1uH		2%	C2520C-1R0G-RA	L1691309		1-	A	
L 4024	M.RFC	3.3uH			LLM3225-3R3J	L1691127		1-	A	
L 4025	CHIP COIL	0.047uH		2%	C2520C-47NG-RA	L1691290		1-	A	
L 4026	CHIP COIL	0.047uH			C2520C-47NK	L1690540		1-	A	
L 4027	M.RFC	3.3uH			LLM3225-3R3J	L1691127		1-	A	
L 4028	M.RFC	2.7uH		5%	1008LS-272XJLC	L1691476		1-	A	
L 4029	M.RFC	0.18uH		2%	HA4032-ALC	L1691994		1-	A	
L 4030	M.RFC	0.33uH		2%	HA4035-ALC	L1692000		1-	A	
L 4031	M.RFC	0.27uH		2%	HA4034-ALC	L1691998		1-	A	
L 4032	M.RFC	0.18uH		2%	HA4032-ALC	L1691994		1-	A	
L 4033	M.RFC	0.13uH		2%	C6342A-R13G-RA	L1691088		1-	A	
L 4034	M.RFC	0.11uH		2%	C6342A-R11G-RA	L1691087		1-	A	
L 4035	M.RFC	0.05uH		2%	C6342A-50NG-RA	L1691084		1-	A	
L 4036	CHIP COIL	0.082uH		2%	C2520C-82NG-RA	L1691293		1-	A	
L 4037	M.RFC	3.9uH			LLM3225-3R9J	L1691128		1-	A	
L 4038	CHIP COIL	0.56uH		2%	C2520C-R56G-RA	L1691303		1-	A	
L 4039	CHIP COIL	0.27uH		2%	C2520C-R27G-RA	L1691299		1-	A	
L 4040	M.RFC	8.2uH		5%	1008LS-822XJLC	L1691482		1-	A	
L 4041	M.RFC	3.9uH		5%	1008LS-392XJLC	L1691478		1-	A	
L 4042	M.RFC	3.3uH		2%	SDWL4532C3R3GSTF	L1692118		1-	A	
L 4043	M.RFC	2.7uH		2%	SDWL4532C2R7GSTF	L1692116		1-	A	
L 4044	M.RFC	1.5uH		2%	1812CS-152XGLC	L1692008		1-	A	
L 4045	M.RFC	1.8uH		2%	SDWL4532C1R8GSTF	L1692112		1-	A	
L 4046	CHIP COIL	1uH		2%	C2520C-1R0G-RA	L1691309		1-	A	
L 4047	CHIP COIL	0.15uH		2%	C2520C-R15G-RA	L1691296		1-	A	
L 4048	CHIP COIL	0.15uH		2%	C2520C-R15G-RA	L1691296		1-	A	
L 4049	M.RFC	8.2uH		5%	1008LS-822XJLC	L1691482		1-	A	
L 4050	CHIP COIL	10uH		5%	NLV25T-100J-PF	L1691436		1-	A	
L 4051	M.RFC	47uH			LLM3225-470J	L1691141		1-	A	
L 4052	M.RFC	1.8uH		5%	1008LS-182XJLC	L1691474		1-	A	
L 4053	M.RFC	1uH		5%	1008LS-102XJLC	L1691471		1-	A	
L 4054	CHIP COIL	0.56uH		2%	C2520C-R56G-RA	L1691303		1-	A	
L 4055	M.RFC	0.39uH		2%	HA4036-ALC	L1692002		1-	A	
L 4056	M.RFC	0.15uH		2%	HA4031-ALC	L1691992		1-	A	
L 4057	CHIP COIL	0.1uH		2%	C2520C-R10G-RA	L1691294		1-	A	
L 4058	CHIP COIL	0.15uH		2%	C2520C-R15G-RA	L1691296		1-	A	
L 4059	M.RFC	8.2uH		5%	1008LS-822XJLC	L1691482		1-	A	
L 4060	CHIP COIL	10uH		5%	NLV25T-100J-PF	L1691436		1-	A	
L 4061	CHIP COIL	0.18uH		2%	LQW2UASR18G00L	L1691944		1-	A	
L 4062	M.RFC	1000uH			LLM3225-102J	L1691157		1-	A	
L 4063	CHIP COIL	0.18uH		2%	LQW2UASR18G00L	L1691944		1-	A	
L 4064	M.RFC	1000uH			LLM3225-102J	L1691157		1-	A	
L 4065	CHIP COIL	27uH		5%	NLV25T-270J-PF	L1691441		1-	A	
L 4066	CHIP COIL	3.3uH		5%	NLV25T-3R3J-PF	L1691430		1-	A	
L 4067	M.RFC	1.2uH		2%	1008CS-122XGLC	L1691686		1-	A	
L 4068	M.RFC	0.18uH		2%	1008CS-181XGLC	L1691673		1-	A	
L 4069	M.RFC	1000uH			LLM3225-102J	L1691157		1-	A	
L 4070	CHIP COIL	8.2uH		5%	NLV25T-8R2J-PF	L1691435		1-	A	
L 4071	CHIP COIL	6.8uH		5%	NLV25T-6R8J-PF	L1691434		1-	A	
L 4072	CHIP COIL	3.9uH		5%	NLV25T-3R9J-PF	L1691431		1-	A	
L 4073	M.RFC	0.56uH		2%	1008CS-561XGLC	L1691679		1-	A	
L 4074	CHIP COIL	15uH		5%	NLV25T-150J-PF	L1691438		1-	A	
L 4075	CHIP COIL	0.1uH		2%	C2520C-R10G-RA	L1691294		1-	A	
L 4076	CHIP COIL	0.18uH		2%	C2520C-R18G-RA	L1691297		1-	A	
L 4077	CHIP COIL	27uH		5%	NLV25T-270J-PF	L1691441		1-	A	
L 4078	CHIP COIL	0.1uH		2%	C2520C-R10G-RA	L1691294		1-	A	
L 4079	M.RFC	0.18uH		2%	1008CS-181XGLC	L1691673		1-	A	
L 4080	CHIP COIL	27uH		5%	NLV25T-270J-PF	L1691441		1-	A	
L 4081	CHIP COIL	3.3uH		5%	NLV25T-3R3J-PF	L1691430		1-	A	
L 4082	M.RFC	1.2uH		2%	1008CS-122XGLC	L1691686		1-	A	
L 4083	CHIP COIL	15uH		5%	NLV25T-150J-PF	L1691438		1-	A	
L 4085	M.RFC	47uH			LLM3225-470J	L1691141		1-	A	

RX-2 Unit Parts List

REF	DESCRIPTION	VALUE	V/W	TOL.	MFR'S DESIG	YAESU P/N	VERS.	LOT	SIDE	LAY ADR
L 4087	M.RFC	470uH			LLM3225-471J	L1691153		1-	A	
L 4088	M.RFC	470uH			LLM3225-471J	L1691153		1-	A	
L 4089	M.RFC	470uH			LLM3225-471J	L1691153		1-	A	
L 4090	M.RFC	27uH		5%	1812CS-273XJLC	L1692038		1-	A	
L 4091	M.RFC	8.2uH		2%	1812CS-822XGLC	L1692026		1-	A	
L 4092	M.RFC	27uH		5%	1812CS-273XJLC	L1692038		1-	A	
L 4093	M.RFC	8.2uH		2%	1812CS-822XGLC	L1692026		1-	A	
L 4094	M.RFC	470uH			LLM3225-471J	L1691153		1-	A	
L 4095	M.RFC	470uH			LLM3225-471J	L1691153		1-	A	
L 4096	M.RFC	470uH			LLM3225-471J	L1691153		1-	A	
L 4099	M.RFC	1uH		5%	1812CS-102XJLC	L1692004		1-	A	
L 4100	M.RFC	1uH		5%	1812CS-102XJLC	L1692004		1-	A	
L 4103	M.RFC	47uH			LLM3225-470J	L1691141		1-	A	
L 4104	CHIP COIL	0.1uH		2%	LQW18ANR10G00D	L1690892		1-	A	
L 4107	CHIP COIL	0.1uH		2%	LQW18ANR10G00D	L1690892		1-	A	
L 4108	CHIP COIL	1uH		2%	LQW2UAS1R0G00L	L1691968		1-	A	
L 4109	M.RFC	150uH		5%	1812LS-154XJLC	L1691497		1-	A	
L 4110	CHIP COIL	0.15uH		2%	LQW18ANR15G00D	L1690894		1-	A	
L 4111	CHIP COIL	1uH		2%	LQW2UAS1R0G00L	L1691968		1-	A	
L 4112	M.RFC	47uH			LLM3225-470J	L1691141		1-	A	
L 4113	CHIP COIL	0.12uH		2%	C2520C-R12G-RA	L1691295		1-	A	
L 4114	CHIP COIL	0.33uH		2%	C2520C-R33G-RA	L1691300		1-	A	
L 4115	CHIP COIL	0.22uH		2%	C2520C-R22G-RA	L1691298		1-	A	
L 4116	CHIP COIL	0.18uH		2%	C2520C-R18G-RA	L1691297		1-	A	
L 4117	CHIP COIL	0.22uH		2%	C2520C-R22G-RA	L1691298		1-	A	
L 4119	CHIP COIL	0.47uH		2%	C2520C-R47G-RA	L1691302		1-	A	
L 4120	CHIP COIL	0.1uH		2%	C2520C-R10G-RA	L1691294		1-	A	
L 4121	CHIP COIL	0.47uH		2%	C2520C-R47G-RA	L1691302		1-	A	
L 4122	CHIP COIL	0.33uH		2%	C2520C-R33G-RA	L1691300		1-	A	
L 4124	M.RFC	18uH		5%	1812LS-183XJLC	L1691486		1-	A	
L 4125	COIL 10RF				CKD1012P-140604-VC	L0023262		1-	A	
L 4126	M.RFC	470uH			LLM3225-471J	L1691153		1-	A	
L 4127	M.RFC	470uH			LLM3225-471J	L1691153		1-	A	
L 4128	M.RFC	47uH			LLM3225-470J	L1691141		1-	A	
L 4129	M.RFC	470uH			LLM3225-471J	L1691153		1-	A	
L 4130	M.RFC	470uH			LLM3225-471J	L1691153		1-	A	
L 4131	M.RFC	4.7uH		5%	1812CS-472XJLC	L1692020		1-	A	
L 4132	M.RFC	4.7uH		5%	1812CS-472XJLC	L1692020		1-	A	
L 4133	CHIP COIL	0.22uH		2%	LQW18ANR22G00D	L1690896		1-	A	
L 4134	M.RFC	150uH		5%	1812LS-154XJLC	L1691497		1-	A	
L 4135	M.RFC	0.27uH		2%	0805CS-271XGLC	L1691639		1-	A	
L 4136	CHIP COIL	0.27uH		2%	C2520C-R27G-RA	L1691299		1-	A	
L 4137	CHIP COIL	0.18uH		2%	LQW18ANR18G00D	L1690895		1-	A	
L 4138	CHIP COIL	0.22uH		2%	LQW18ANR22G00D	L1690896		1-	A	
L 4139	CHIP COIL	0.18uH		2%	LQW18ANR18G00D	L1690895		1-	A	
P 4001	WIRE ASSY				U.FL(P)-2LP-068SD2-A-200	T9318378		1-		
P 4002	WIRE ASSY				CW-ASSY AH065H 190MM2P	T9207694		1-		
Q 4001	TRANSISTOR				UMD5N TR	G3070343		1-	A	
Q 4002	TRANSISTOR				UMD5N TR	G3070343		1-	A	
Q 4003	TRANSISTOR				55GN01CA-TB-E	G3070550		1-	A	
Q 4004	TRANSISTOR				UMD5N TR	G3070343		1-	A	
Q 4005	TRANSISTOR				DTC114EUA T106	G3070084		1-	A	
Q 4006	TRANSISTOR				DTC114EUA T106	G3070084		1-	A	
Q 4007	TRANSISTOR				DTC114EUA T106	G3070084		1-	A	
Q 4008	TRANSISTOR				DTC114EUA T106	G3070084		1-	A	
Q 4009	TRANSISTOR				DTC114EUA T106	G3070084		1-	A	
Q 4010	TRANSISTOR				DTC114EUA T106	G3070084		1-	A	
Q 4011	TRANSISTOR				DTC114EUA T106	G3070084		1-	A	
Q 4012	TRANSISTOR				DTC114EUA T106	G3070084		1-	A	
Q 4013	TRANSISTOR				DTC114EUA T106	G3070084		1-	A	
Q 4014	TRANSISTOR				DTC114EUA T106	G3070084		1-	A	
Q 4015	TRANSISTOR				DTC114EUA T106	G3070084		1-	A	
Q 4016	TRANSISTOR				UMD5N TR	G3070343		1-	A	
Q 4017	TRANSISTOR				DTC114EUA T106	G3070084		1-	A	
Q 4018	TRANSISTOR				DTC114EUA T106	G3070084		1-	A	
Q 4019	TRANSISTOR				DTC114EUA T106	G3070084		1-	A	
Q 4020	TRANSISTOR				DTC114EUA T106	G3070084		1-	A	
Q 4021	TRANSISTOR				DTC114EUA T106	G3070084		1-	A	
Q 4022	IC				BU2152FS(TAPE)	G1093942		1-	A	
Q 4023	TRANSISTOR				DTC114EUA T106	G3070084		1-	A	
Q 4024	TRANSISTOR				UMD5N TR	G3070343		1-	A	
Q 4025	TRANSISTOR				DTC114EUA T106	G3070084		1-	A	
Q 4026	TRANSISTOR				UMD5N TR	G3070343		1-	A	
Q 4027	TRANSISTOR				DTC114EUA T106	G3070084		1-	A	
Q 4028	IC				F2255NLGK8	G1095332		1-	A	

RX-2 Unit

Parts List

REF	DESCRIPTION	VALUE	V/W	TOL.	MFR'S DESIG	YAESU P/N	VERS.	LOT	SIDE	LAY ADR
Q 4029	IC				TA75S01F(TE85R.F)	G1091593		1-	A	
Q 4030	TRANSISTOR				BFQ19SH6327	G3070552		1-	A	
Q 4032	FET				RD01MUS2-T513	G3070544		1-	A	
Q 4033	IC				F2255NLGK8	G1095332		1-	A	
Q 4034	IC				NJM78L05UA-TE1	G1091325		1-	A	
Q 4035	FET				3SK294(TE85L)	G4802948A		1-	A	
Q 4036	FET				3SK294(TE85L)	G4802948A		1-	A	
Q 4037	FET				3SK294(TE85L)	G4802948A		1-	A	
Q 4038	FET				3SK294(TE85L)	G4802948A		1-	A	
Q 4039	FET				3SK294(TE85L)	G4802948A		1-	A	
Q 4040	FET				3SK294(TE85L)	G4802948A		1-	A	
Q 4041	FET				3SK294(TE85L)	G4802948A		1-	A	
Q 4042	FET				3SK294(TE85L)	G4802948A		1-	A	
Q 4045	TRANSISTOR				BFQ19SH6327	G3070552		1-	A	
Q 4046	IC				BGA616H6327XTSA1	G1095085		1-	A	
Q 4047	IC				BD00HA3WEFJ-E2	G1095212		1-	A	
Q 4048	TRANSISTOR				2SD1664 T100 Q	G3416647Q		1-	A	
Q 4049	TRANSISTOR				BFQ19SH6327	G3070552		1-	A	
Q 4050	TRANSISTOR				2SB624-T2B BV3	G3206247C		1-	A	
Q 4051	TRANSISTOR				DTC114YUA T106	G3070298		1-	A	
Q 4052	IC				BGA616H6327XTSA1	G1095085		1-	A	
Q 4053	TRANSISTOR				DTC114EUA T106	G3070084		1-	A	
Q 4054	TRANSISTOR				2SD1664 T100 Q	G3416647Q		1-	A	
Q 4055	TRANSISTOR				BFQ19SH6327	G3070552		1-	A	
Q 4056	IC				BU2152FS(TAPE)	G1093942		1-	A	
Q 4057	TRANSISTOR				DTC114EUA T106	G3070084		1-	A	
Q 4058	IC				BGA616H6327XTSA1	G1095085		1-	A	
Q 4059	TRANSISTOR				2SD1664 T100 Q	G3416647Q		1-	A	
R 4001	CHIP RES.	470	1/4W	5%	RMC1/4 471JATP	J24245471		1-	A	
R 4002	CHIP RES.	220	1/10W	5%	RMC1/10T 221J	J24205221		1-	A	
R 4003	CHIP RES.	220	1/10W	5%	RMC1/10T 221J	J24205221		1-	A	
R 4004	CHIP RES.	330	1/10W	5%	RMC1/10T 331J	J24205331		1-	A	
R 4005	CHIP RES.	220	1/10W	5%	RMC1/10T 221J	J24205221		1-	A	
R 4006	CHIP RES.	220	1/10W	5%	RMC1/10T 221J	J24205221		1-	A	
R 4007	CHIP RES.	220	1/10W	5%	RMC1/10T 221J	J24205221		1-	A	
R 4008	CHIP RES.	220	1/10W	5%	RMC1/10T 221J	J24205221		1-	A	
R 4009	CHIP RES.	220	1/10W	5%	RMC1/10T 221J	J24205221		1-	A	
R 4010	CHIP RES.	220	1/10W	5%	RMC1/10T 221J	J24205221		1-	A	
R 4011	CHIP RES.	220	1/10W	5%	RMC1/10T 221J	J24205221		1-	A	
R 4012	CHIP RES.	220	1/10W	5%	RMC1/10T 221J	J24205221		1-	A	
R 4013	CHIP RES.	100	1/4W	5%	RMC1/4 101JATP	J24245101		1-	A	
R 4014	CHIP RES.	47	1/4W	5%	RMC1/4 470JATP	J24245470		1-	A	
R 4015	CHIP RES.	33	1/10W	5%	RMC1/10T 330J	J24205330		1-	A	
R 4016	CHIP RES.	100	1/16W	5%	RMC1/16 101JATP	J24185101		1-	A	
R 4017	CHIP RES.	56	1/4W	5%	RMC1/4 560JATP	J24245560		1-	A	
R 4018	CHIP RES.	150	1/4W	5%	RMC1/4 151JATP	J24245151		1-	A	
R 4019	CHIP RES.	220	1/10W	5%	RMC1/10T 221J	J24205221		1-	A	
R 4020	CHIP RES.	330	1/10W	5%	RMC1/10T 331J	J24205331		1-	A	
R 4021	CHIP RES.	33	1/10W	5%	RMC1/10T 330J	J24205330		1-	A	
R 4022	CHIP RES.	100	1/16W	5%	RMC1/16 101JATP	J24185101		1-	A	
R 4023	CHIP RES.	220	1/10W	5%	RMC1/10T 221J	J24205221		1-	A	
R 4024	CHIP RES.	47	1/4W	5%	RMC1/4 470JATP	J24245470		1-	A	
R 4026	CHIP RES.	100	1/16W	5%	RMC1/16 101JATP	J24185101		1-	A	
R 4027	CHIP RES.	82	1/4W	5%	RMC1/4 820JATP	J24245820		1-	A	
R 4028	CHIP RES.	220	1/10W	5%	RMC1/10T 221J	J24205221		1-	A	
R 4029	CHIP RES.	220	1/10W	5%	RMC1/10T 221J	J24205221		1-	A	
R 4030	CHIP RES.	220	1/10W	5%	RMC1/10T 221J	J24205221		1-	A	
R 4031	CHIP RES.	220	1/10W	5%	RMC1/10T 221J	J24205221		1-	A	
R 4032	CHIP RES.	220	1/10W	5%	RMC1/10T 221J	J24205221		1-	A	
R 4033	CHIP RES.	220	1/10W	5%	RMC1/10T 221J	J24205221		1-	A	
R 4034	CHIP RES.	220	1/10W	5%	RMC1/10T 221J	J24205221		1-	A	
R 4035	CHIP RES.	220	1/10W	5%	RMC1/10T 221J	J24205221		1-	A	
R 4036	CHIP RES.	0	1/16W	5%	RMC1/16 000JATP	J24185000		1-	A	
R 4037	CHIP RES.	220	1/16W	5%	RMC1/16 221JATP	J24185221		1-	A	
R 4038	CHIP RES.	100	1/4W	5%	RMC1/4 101JATP	J24245101		1-	A	
R 4039	CHIP RES.	1k	1/16W	5%	RMC1/16 102JATP	J24185102		1-	A	
R 4040	CHIP RES.	10	1/16W	5%	RMC1/16 100JATP	J24185100		1-	A	
R 4041	CHIP RES.	220	1/10W	5%	RMC1/10T 221J	J24205221		1-	A	
R 4042	CHIP RES.	10	1/16W	5%	RMC1/16 100JATP	J24185100		1-	A	
R 4043	CHIP RES.	100	1/16W	5%	RMC1/16 101JATP	J24185101		1-	A	
R 4044	CHIP RES.	33	1/10W	5%	RMC1/10T 330J	J24205330		1-	A	
R 4045	CHIP RES.	33	1/10W	5%	RMC1/10T 330J	J24205330		1-	A	
R 4046	CHIP RES.	33	1/10W	5%	RMC1/10T 330J	J24205330		1-	A	
R 4047	CHIP RES.	33	1/10W	5%	RMC1/10T 330J	J24205330		1-	A	
R 4048	CHIP RES.	33	1/10W	5%	RMC1/10T 330J	J24205330		1-	A	

RX-2 Unit

Parts List

REF	DESCRIPTION	VALUE	V/W	TOL.	MFR'S DESIG	YAESU P/N	VERS.	LOT	SIDE	LAY ADR
R 4049	CHIP RES.	33	1/10W	5%	RMC1/10T 330J	J24205330		1-	A	
R 4050	CHIP RES.	33	1/10W	5%	RMC1/10T 330J	J24205330		1-	A	
R 4051	CHIP RES.	33	1/10W	5%	RMC1/10T 330J	J24205330		1-	A	
R 4052	CHIP RES.	33	1/10W	5%	RMC1/10T 330J	J24205330		1-	A	
R 4053	CHIP RES.	33	1/10W	5%	RMC1/10T 330J	J24205330		1-	A	
R 4054	CHIP RES.	33	1/10W	5%	RMC1/10T 330J	J24205330		1-	A	
R 4055	CHIP RES.	100k	1/16W	5%	RMC1/16 104JATP	J24185104		1-	A	
R 4056	CHIP RES.	100k	1/16W	5%	RMC1/16 104JATP	J24185104		1-	A	
R 4057	CHIP RES.	100k	1/16W	5%	RMC1/16 104JATP	J24185104		1-	A	
R 4058	CHIP RES.	100k	1/16W	5%	RMC1/16 104JATP	J24185104		1-	A	
R 4059	CHIP RES.	100k	1/16W	5%	RMC1/16 104JATP	J24185104		1-	A	
R 4060	CHIP RES.	100k	1/16W	5%	RMC1/16 104JATP	J24185104		1-	A	
R 4061	CHIP RES.	100k	1/16W	5%	RMC1/16 104JATP	J24185104		1-	A	
R 4062	CHIP RES.	100k	1/16W	5%	RMC1/16 104JATP	J24185104		1-	A	
R 4063	CHIP RES.	100k	1/16W	5%	RMC1/16 104JATP	J24185104		1-	A	
R 4064	CHIP RES.	100k	1/16W	5%	RMC1/16 104JATP	J24185104		1-	A	
R 4065	CHIP RES.	100k	1/16W	5%	RMC1/16 104JATP	J24185104		1-	A	
R 4066	CHIP RES.	100	1/16W	5%	RMC1/16 101JATP	J24185101		1-	A	
R 4067	CHIP RES.	330	1/10W	5%	RMC1/10T 331J	J24205331		1-	A	
R 4068	CHIP RES.	33	1/10W	5%	RMC1/10T 330J	J24205330		1-	A	
R 4069	CHIP RES.	100k	1/16W	5%	RMC1/16 104JATP	J24185104		1-	A	
R 4070	CHIP RES.	100k	1/16W	5%	RMC1/16 104JATP	J24185104		1-	A	
R 4071	CHIP RES.	100k	1/16W	5%	RMC1/16 104JATP	J24185104		1-	A	
R 4072	CHIP RES.	100k	1/16W	5%	RMC1/16 104JATP	J24185104		1-	A	
R 4073	CHIP RES.	100k	1/16W	5%	RMC1/16 104JATP	J24185104		1-	A	
R 4074	CHIP RES.	33	1/10W	5%	RMC1/10T 330J	J24205330		1-	A	
R 4075	CHIP RES.	33	1/10W	5%	RMC1/10T 330J	J24205330		1-	A	
R 4076	CHIP RES.	33	1/10W	5%	RMC1/10T 330J	J24205330		1-	A	
R 4077	CHIP RES.	33	1/10W	5%	RMC1/10T 330J	J24205330		1-	A	
R 4078	CHIP RES.	33	1/10W	5%	RMC1/10T 330J	J24205330		1-	A	
R 4079	CHIP RES.	100	1/16W	5%	RMC1/16 101JATP	J24185101		1-	A	
R 4080	CHIP RES.	100k	1/16W	5%	RMC1/16 104JATP	J24185104		1-	A	
R 4081	CHIP RES.	33	1/10W	5%	RMC1/10T 330J	J24205330		1-	A	
R 4082	CHIP RES.	220	1/10W	5%	RMC1/10T 221J	J24205221		1-	A	
R 4083	CHIP RES.	220	1/10W	5%	RMC1/10T 221J	J24205221		1-	A	
R 4084	CHIP RES.	220	1/10W	5%	RMC1/10T 221J	J24205221		1-	A	
R 4085	CHIP RES.	220	1/10W	5%	RMC1/10T 221J	J24205221		1-	A	
R 4086	CHIP RES.	47k	1/16W	5%	RMC1/16 473JATP	J24185473		1-	A	
R 4087	CHIP RES.	330	1/10W	5%	RMC1/10T 331J	J24205331		1-	A	
R 4088	CHIP RES.	33	1/10W	5%	RMC1/10T 330J	J24205330		1-	A	
R 4089	CHIP RES.	220	1/10W	5%	RMC1/10T 221J	J24205221		1-	A	
R 4090	CHIP RES.	470	1/16W	5%	RMC1/16 471JATP	J24185471		1-	A	
R 4091	CHIP RES.	470	1/16W	5%	RMC1/16 471JATP	J24185471		1-	A	
R 4092	CHIP RES.	470	1/16W	5%	RMC1/16 471JATP	J24185471		1-	A	
R 4093	CHIP RES.	100k	1/16W	5%	RMC1/16 104JATP	J24185104		1-	A	
R 4094	CHIP RES.	100	1/16W	5%	RMC1/16 101JATP	J24185101		1-	A	
R 4095	CHIP RES.	33	1/10W	5%	RMC1/10T 330J	J24205330		1-	A	
R 4096	CHIP RES.	100k	1/16W	5%	RMC1/16 104JATP	J24185104		1-	A	
R 4097	CHIP RES.	33	1/10W	5%	RMC1/10T 330J	J24205330		1-	A	
R 4099	CHIP RES.	220	1/10W	5%	RMC1/10T 221J	J24205221		1-	A	
R 4100	CHIP RES.	220	1/10W	5%	RMC1/10T 221J	J24205221		1-	A	
R 4101	CHIP RES.	220	1/10W	5%	RMC1/10T 221J	J24205221		1-	A	
R 4102	CHIP RES.	220	1/10W	5%	RMC1/10T 221J	J24205221		1-	A	
R 4103	CHIP RES.	0	1/16W	5%	RMC1/16 000JATP	J24185000		1-	A	
R 4104	CHIP RES.	0	1/16W	5%	RMC1/16 000JATP	J24185000		1-	A	
R 4105	CHIP RES.	0	1/16W	5%	RMC1/16 000JATP	J24185000		1-	A	
R 4106	CHIP RES.	100	1/16W	5%	RMC1/16 101JATP	J24185101		1-	A	
R 4107	CHIP RES.	100	1/16W	5%	RMC1/16 101JATP	J24185101		1-	A	
R 4108	CHIP RES.	4.7k	1/16W	5%	RMC1/16 472JATP	J24185472		1-	A	
R 4109	CHIP RES.	330	1/10W	5%	RMC1/10T 331J	J24205331		1-	A	
R 4110	CHIP RES.	10k	1/16W	5%	RMC1/16 103JATP	J24185103		1-	A	
R 4111	CHIP RES.	5.6k	1/16W	5%	RMC1/16 562JATP	J24185562		1-	A	
R 4112	CHIP RES.	0	1/16W	5%	RMC1/16 000JATP	J24185000		1-	A	
R 4113	CHIP RES.	47k	1/16W	5%	RMC1/16 473JATP	J24185473		1-	A	
R 4114	CHIP RES.	47	1/4W	5%	RMC1/4 470JATP	J24245470		1-	A	
R 4115	CHIP RES.	1M	1/16W	5%	RMC1/16 105JATP	J24185105		1-	A	
R 4116	CHIP RES.	100	1/16W	5%	RMC1/16 101JATP	J24185101		1-	A	
R 4117	CHIP RES.	220	1/10W	5%	RMC1/10T 221J	J24205221		1-	A	
R 4118	CHIP RES.	220	1/10W	5%	RMC1/10T 221J	J24205221		1-	A	
R 4119	CHIP RES.	220	1/10W	5%	RMC1/10T 221J	J24205221		1-	A	
R 4120	CHIP RES.	8.2k	1/16W	5%	RMC1/16 822JATP	J24185822		1-	A	
R 4121	CHIP RES.	0	1/10W	5%	RMC1/10T 000J	J24205000		1-	A	
R 4122	CHIP RES.	330	1/16W	5%	RMC1/16 331JATP	J24185331		1-	A	
R 4123	CHIP RES.	820	1/16W	5%	RMC1/16 821JATP	J24185821		1-	A	
R 4125	CHIP RES.	15k	1/16W	5%	RMC1/16 153JATP	J24185153		1-	A	

RX-2 Unit

Parts List

REF	DESCRIPTION	VALUE	V/W	TOL.	MFR'S DESIG	YAESU P/N	VERS.	LOT	SIDE	LAY ADR
R 4126	CHIP RES.	27k	1/16W	5%	RMC1/16 273JATP	J24185273		1-	A	
R 4127	CHIP RES.	100k	1/16W	5%	RMC1/16 104JATP	J24185104		1-	A	
R 4128	CHIP RES.	15	1/16W	5%	RMC1/16 150JATP	J24185150		1-	A	
R 4129	CHIP RES.	4.7	1/16W	5%	RMC1/16 4R7JATP	J24185479		1-	A	
R 4130	CHIP RES.	27k	1/16W	5%	RMC1/16 273JATP	J24185273		1-	A	
R 4131	CHIP RES.	100k	1/16W	5%	RMC1/16 104JATP	J24185104		1-	A	
R 4132	CHIP RES.	10	1/16W	5%	RMC1/16 100JATP	J24185100		1-	A	
R 4134	CHIP RES.	10	1/10W	5%	RMC1/10T 100J	J24205100		1-	A	
R 4135	CHIP RES.	10	1/10W	5%	RMC1/10T 100J	J24205100		1-	A	
R 4137	CHIP RES.	100	1/16W	1%	RMC1/16 101FTP	J24183101		1-	A	
R 4138	CHIP RES.	47	1/10W	5%	RMC1/10T 470J	J24205470		1-	A	
R 4139	CHIP RES.	4.7k	1/16W	5%	RMC1/16 472JATP	J24185472		1-	A	
R 4140	CHIP RES.	33	1/16W	1%	RMC1/16 330FTP	J24183330		1-	A	
R 4141	CHIP RES.	33	1/16W	1%	RMC1/16 330FTP	J24183330		1-	A	
R 4142	CHIP RES.	33	1/16W	1%	RMC1/16 330FTP	J24183330		1-	A	
R 4143	CHIP RES.	33	1/16W	1%	RMC1/16 330FTP	J24183330		1-	A	
R 4145	CHIP RES.	10k	1/16W	5%	RMC1/16 103JATP	J24185103		1-	A	
R 4146	CHIP RES.	22k	1/16W	1%	RMC1/16 223FTP	J24183223		1-	A	
R 4148	CHIP RES.	47k	1/16W	1%	RMC1/16 473FTP	J24183473		1-	A	
R 4149	CHIP RES.	22k	1/16W	5%	RMC1/16 223JATP	J24185223		1-	A	
R 4151	CHIP RES.	100	1/16W	5%	RMC1/16 101JATP	J24185101		1-	A	
R 4153	CHIP RES.	5.6k	1/16W	5%	RMC1/16 562JATP	J24185562		1-	A	
R 4154	CHIP RES.	0	1/16W	5%	RMC1/16 000JATP	J24185000		1-	A	
R 4155	CHIP RES.	47k	1/16W	1%	RMC1/16 473FTP	J24183473		1-	A	
R 4156	CHIP RES.	220	1/10W	5%	RMC1/10T 221J	J24205221		1-	A	
R 4157	CHIP RES.	6.8k	1/16W	5%	RMC1/16 682JATP	J24185682		1-	A	
R 4158	CHIP RES.	22k	1/16W	1%	RMC1/16 223FTP	J24183223		1-	A	
R 4159	CHIP RES.	390	1/16W	1%	RMC1/16 391FTP	J24183391		1-	A	
R 4160	CHIP RES.	390	1/16W	1%	RMC1/16 391FTP	J24183391		1-	A	
R 4161	CHIP RES.	390	1/16W	1%	RMC1/16 391FTP	J24183391		1-	A	
R 4162	CHIP RES.	390	1/16W	1%	RMC1/16 391FTP	J24183391		1-	A	
R 4163	CHIP RES.	220	1/10W	5%	RMC1/10T 221J	J24205221		1-	A	
R 4164	CHIP RES.	220	1/10W	5%	RMC1/10T 221J	J24205221		1-	A	
R 4165	CHIP RES.	4.7	1/16W	5%	RMC1/16 4R7JATP	J24185479		1-	A	
R 4166	CHIP RES.	100	1/16W	1%	RMC1/16 101FTP	J24183101		1-	A	
R 4167	CHIP RES.	4.7	1/16W	5%	RMC1/16 4R7JATP	J24185479		1-	A	
R 4170	CHIP RES.	0	1/16W	5%	RMC1/16 000JATP	J24185000		1-	A	
R 4177	CHIP RES.	15k	1/16W	5%	RMC1/16 153JATP	J24185153		1-	A	
R 4178	CHIP RES.	51	1/16W	1%	RMC1/16 510FTP	J24183510		1-	A	
R 4182	CHIP RES.	330	1/10W	5%	RMC1/10T 331J	J24205331		1-	A	
R 4183	CHIP RES.	51	1/16W	1%	RMC1/16 510FTP	J24183510		1-	A	
R 4186	CHIP RES.	5.6k	1/16W	1%	RMC1/16 562FTP	J24183562		1-	A	
R 4187	CHIP RES.	47	1/4W	5%	RMC1/4 470JATP	J24245470		1-	A	
R 4188	CHIP RES.	100	1/16W	5%	RMC1/16 101JATP	J24185101		1-	A	
R 4190	CHIP RES.	43k	1/16W	1%	RMC1/16 433FTP	J24183433		1-	A	
R 4192	CHIP RES.	0	1/10W	5%	RMC1/10T 000J	J24205000		1-	A	
R 4193	CHIP RES.	330	1/16W	5%	RMC1/16 331JATP	J24185331		1-	A	
R 4194	CHIP RES.	1.8k	1/16W	5%	RMC1/16 182JATP	J24185182		1-	A	
R 4197	CHIP RES.	100	1/16W	5%	RMC1/16 101JATP	J24185101		1-	A	
R 4200	CHIP RES.	68	1/16W	5%	RMC1/16 680JATP	J24185680		1-	A	
R 4201	CHIP RES.	100	1/16W	5%	RMC1/16 101JATP	J24185101		1-	A	
R 4202	CHIP RES.	10	1/10W	5%	RMC1/10T 100J	J24205100		1-	A	
R 4203	CHIP RES.	10	1/10W	5%	RMC1/10T 100J	J24205100		1-	A	
R 4204	CHIP RES.	100	1/16W	5%	RMC1/16 101JATP	J24185101		1-	A	
R 4205	CHIP RES.	10	1/16W	5%	RMC1/16 100JATP	J24185100		1-	A	
R 4207	CHIP RES.	120	1/16W	5%	RMC1/16 121JATP	J24185121		1-	A	
R 4208	CHIP RES.	10	1/16W	5%	RMC1/16 100JATP	J24185100		1-	A	
R 4211	CHIP RES.	51	1/16W	1%	RMC1/16 510FTP	J24183510		1-	A	
R 4212	CHIP RES.	6.8k	1/16W	5%	RMC1/16 682JATP	J24185682		1-	A	
R 4213	CHIP RES.	68	1/16W	5%	RMC1/16 680JATP	J24185680		1-	A	
R 4214	CHIP RES.	6.8k	1/16W	5%	RMC1/16 682JATP	J24185682		1-	A	
R 4219	CHIP RES.	330	1/16W	5%	RMC1/16 331JATP	J24185331		1-	A	
R 4220	CHIP RES.	18	1/16W	5%	RMC1/16 180JATP	J24185180		1-	A	
R 4221	CHIP RES.	330	1/16W	5%	RMC1/16 331JATP	J24185331		1-	A	
R 4223	CHIP RES.	33	1/4W	5%	RMC1/4 330JATP	J24245330		1-	A	
R 4224	CHIP RES.	33	1/4W	5%	RMC1/4 330JATP	J24245330		1-	A	
R 4236	CHIP RES.	470	1/16W	5%	RMC1/16 471JATP	J24185471		1-	A	
R 4237	CHIP RES.	100k	1/16W	5%	RMC1/16 104JATP	J24185104		1-	A	
R 4238	CHIP RES.	47	1/4W	5%	RMC1/4 470JATP	J24245470		1-	A	
R 4239	CHIP RES.	100	1/16W	5%	RMC1/16 101JATP	J24185101		1-	A	
R 4240	CHIP RES.	0	1/10W	5%	RMC1/10T 000J	J24205000		1-	A	
R 4241	CHIP RES.	330	1/16W	5%	RMC1/16 331JATP	J24185331		1-	A	
R 4242	CHIP RES.	1.8k	1/16W	5%	RMC1/16 182JATP	J24185182		1-	A	
R 4243	CHIP RES.	10	1/10W	5%	RMC1/10T 100J	J24205100		1-	A	
R 4244	CHIP RES.	10	1/10W	5%	RMC1/10T 100J	J24205100		1-	A	

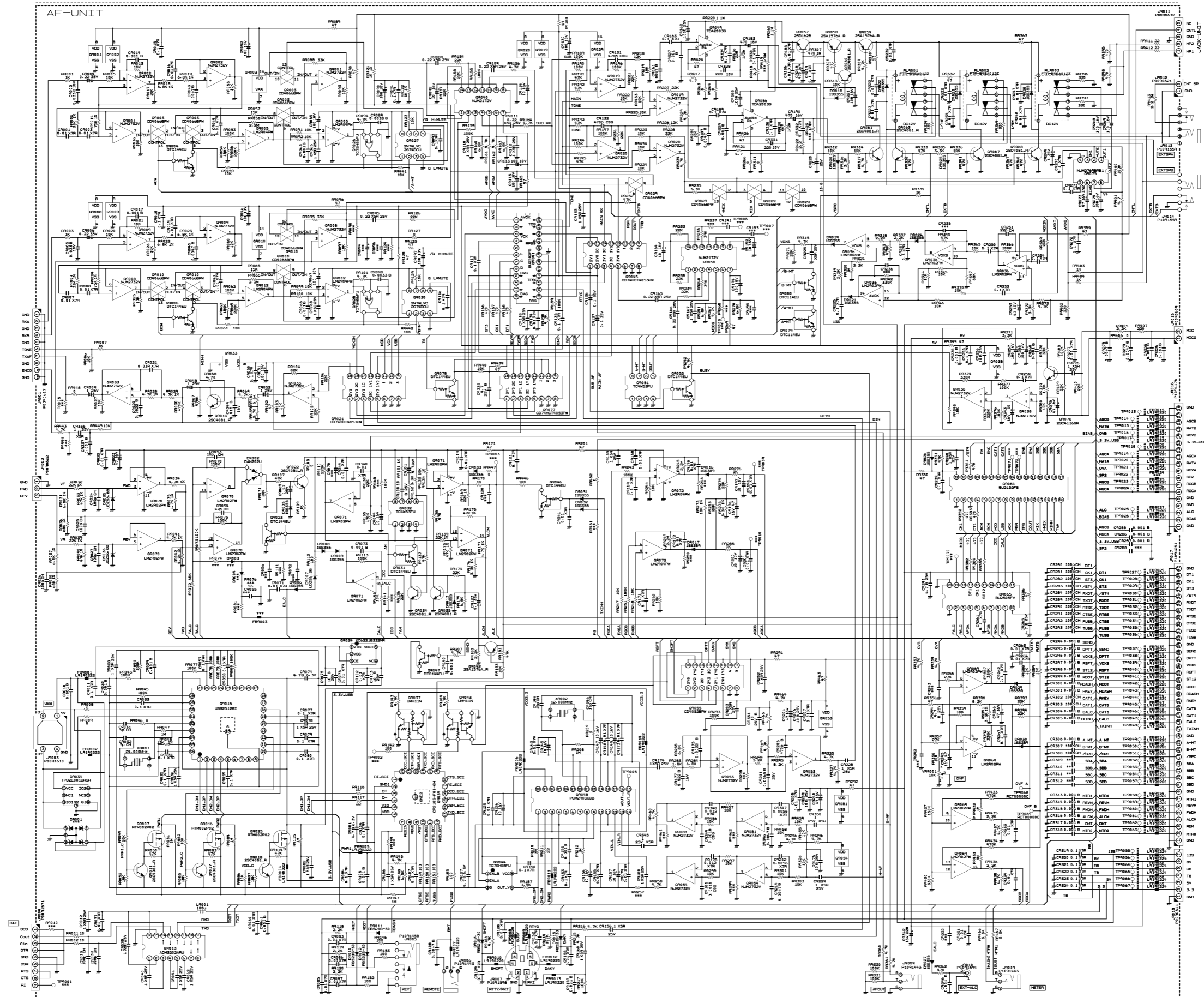
RX-2 Unit

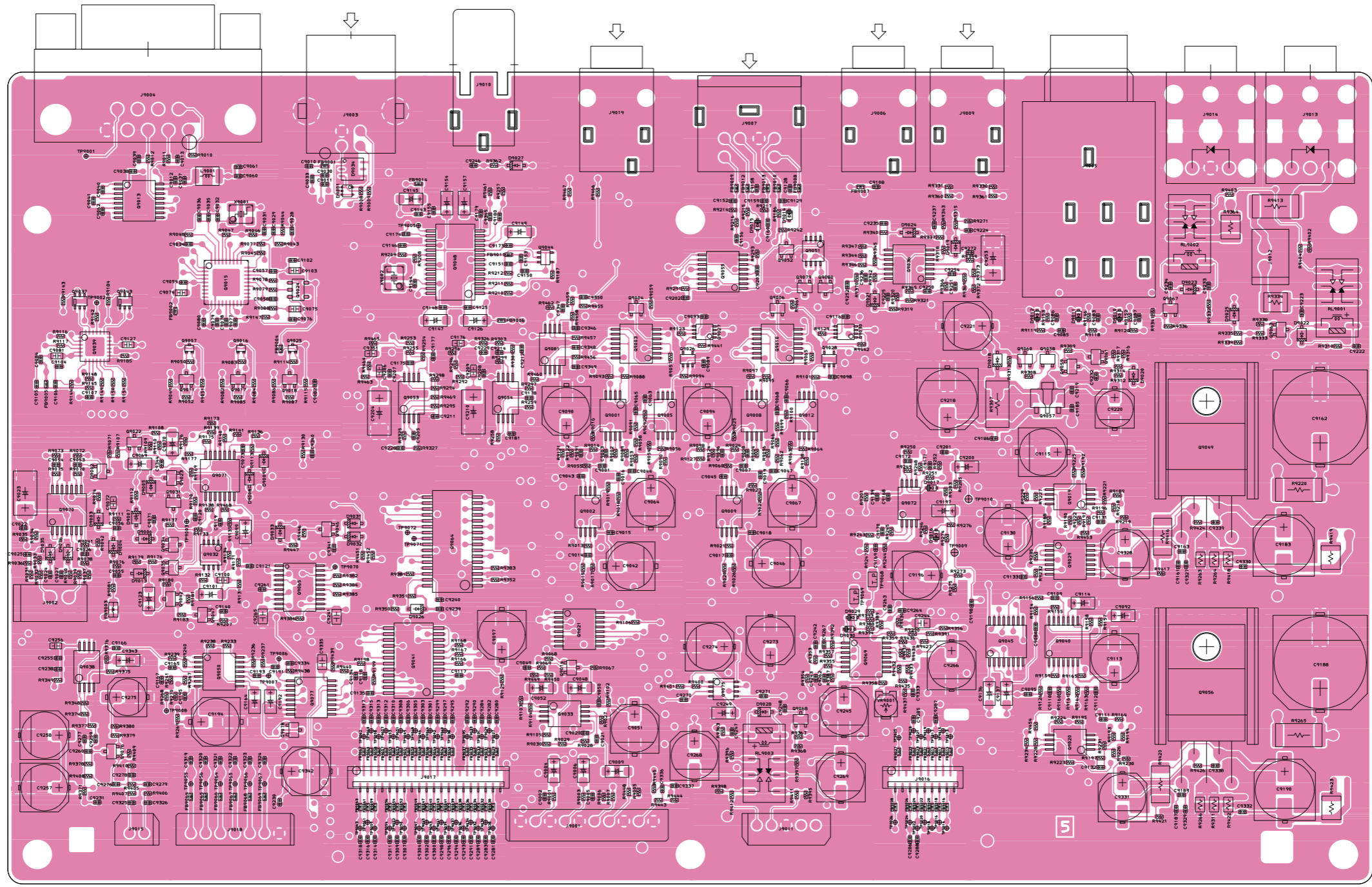
Parts List

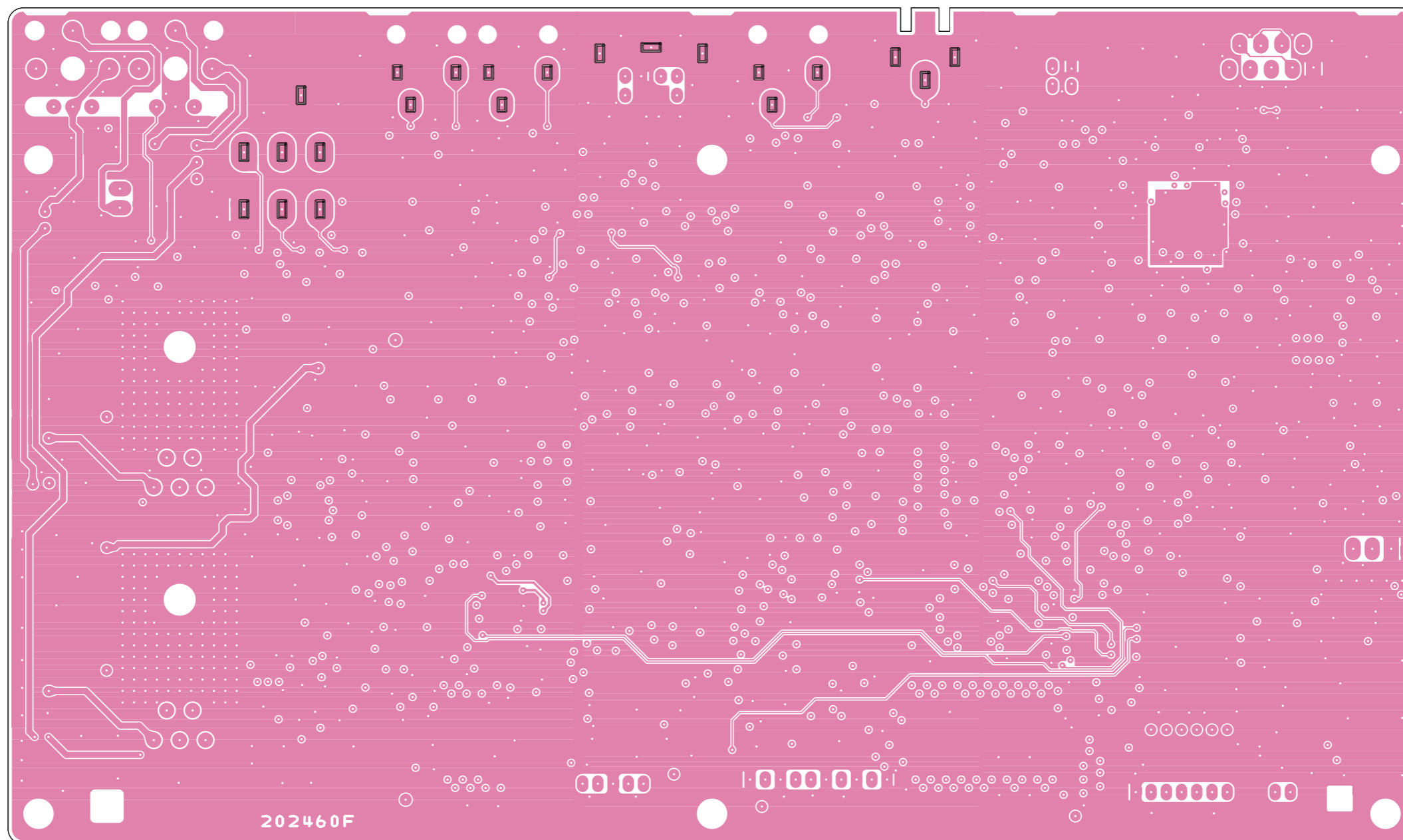
REF	DESCRIPTION	VALUE	V/W	TOL.	MFR'S DESIG	YAESU P/N	VERS.	LOT	SIDE	LAY ADR
R 4249	CHIP RES.	0	1/16W	5%	RMC1/16 000JATP	J24185000		1-	A	
R 4251	CHIP RES.	330	1/16W	5%	RMC1/16 331JATP	J24185331		1-	A	
R 4252	CHIP RES.	15	1/16W	5%	RMC1/16 150JATP	J24185150		1-	A	
R 4253	CHIP RES.	330	1/16W	5%	RMC1/16 331JATP	J24185331		1-	A	
R 4256	CHIP RES.	0	1/16W	5%	RMC1/16 000JATP	J24185000		1-	A	
R 4258	CHIP RES.	1k	1/16W	5%	RMC1/16 102JATP	J24185102		1-	A	
R 4260	CHIP RES.	330	1/16W	5%	RMC1/16 331JATP	J24185331		1-	A	
R 4261	CHIP RES.	18	1/16W	5%	RMC1/16 180JATP	J24185180		1-	A	
R 4262	CHIP RES.	330	1/16W	5%	RMC1/16 331JATP	J24185331		1-	A	
R 4263	CHIP RES.	0	1/16W	5%	RMC1/16 000JATP	J24185000		1-	A	
R 4266	CHIP RES.	18	1/16W	5%	RMC1/16 180JATP	J24185180		1-	A	
R 4272	CHIP RES.	33	1/10W	5%	RMC1/10T 330J	J24205330		1-	A	
R 4273	CHIP RES.	33	1/10W	5%	RMC1/10T 330J	J24205330		1-	A	
R 4274	CHIP RES.	330	1/16W	5%	RMC1/16 331JATP	J24185331		1-	A	
R 4275	CHIP RES.	330	1/16W	5%	RMC1/16 331JATP	J24185331		1-	A	
R 4276	CHIP RES.	0	1/16W	5%	RMC1/16 000JATP	J24185000		1-	A	
R 4280	CHIP RES.	100	1/16W	1%	RMC1/16 101FTP	J24183101		1-	A	
R 4281	CHIP RES.	82	1/16W	1%	RMC1/16 820FTP	J24183820		1-	A	
R 4282	CHIP RES.	4.7	1/16W	5%	RMC1/16 4R7JATP	J24185479		1-	A	
R 4283	CHIP RES.	220	1/10W	5%	RMC1/10T 221J	J24205221		1-	A	
R 4284	CHIP RES.	220	1/10W	5%	RMC1/10T 221J	J24205221		1-	A	
R 4285	CHIP RES.	4.7	1/16W	5%	RMC1/16 4R7JATP	J24185479		1-	A	
R 4286	CHIP RES.	100k	1/16W	5%	RMC1/16 104JATP	J24185104		1-	A	
R 4287	CHIP RES.	100k	1/16W	5%	RMC1/16 104JATP	J24185104		1-	A	
R 4288	CHIP RES.	100k	1/16W	5%	RMC1/16 104JATP	J24185104		1-	A	
R 4289	CHIP RES.	33	1/10W	5%	RMC1/10T 330J	J24205330		1-	A	
R 4291	CHIP RES.	0	1/16W	5%	RMC1/16 000JATP	J24185000		1-	A	
R 4292	CHIP RES.	470	1/16W	5%	RMC1/16 471JATP	J24185471		1-	A	
R 4293	CHIP RES.	100	1/4W	5%	RMC1/4 101JATP	J24245101		1-	A	
R 4294	CHIP RES.	100	1/16W	5%	RMC1/16 101JATP	J24185101		1-	A	
R 4295	CHIP RES.	1k	1/16W	5%	RMC1/16 102JATP	J24185102		1-	A	
R 4296	CHIP RES.	1.8k	1/16W	5%	RMC1/16 182JATP	J24185182		1-	A	
R 4297	CHIP RES.	10	1/10W	5%	RMC1/10T 100J	J24205100		1-	A	
R 4298	CHIP RES.	10	1/10W	5%	RMC1/10T 100J	J24205100		1-	A	
R 4300	CHIP RES.	100	1/16W	5%	RMC1/16 101JATP	J24185101		1-	A	
R 4301	CHIP RES.	51	1/16W	1%	RMC1/16 510FTP	J24183510		1-	A	
R 4302	CHIP RES.	18	1/16W	5%	RMC1/16 180JATP	J24185180		1-	A	
R 4303	CHIP RES.	330	1/16W	5%	RMC1/16 331JATP	J24185331		1-	A	
R 4304	CHIP RES.	330	1/16W	5%	RMC1/16 331JATP	J24185331		1-	A	
R 4305	CHIP RES.	0	1/16W	5%	RMC1/16 000JATP	J24185000		1-	A	
R 4306	CHIP RES.	18k	1/16W	5%	RMC1/16 183JATP	J24185183		1-	A	
R 4307	CHIP RES.	27	1/16W	5%	RMC1/16 270JATP	J24185270		1-	A	
R 4308	CHIP RES.	18k	1/16W	5%	RMC1/16 183JATP	J24185183		1-	A	
R 4309	CHIP RES.	220	1/10W	5%	RMC1/10T 221J	J24205221		1-	A	
R 4310	CHIP RES.	220	1/10W	5%	RMC1/10T 221J	J24205221		1-	A	
R 4311	CHIP RES.	470	1/16W	5%	RMC1/16 471JATP	J24185471		1-	A	
R 4312	CHIP RES.	470	1/16W	5%	RMC1/16 471JATP	J24185471		1-	A	
R 4313	CHIP RES.	470	1/16W	5%	RMC1/16 471JATP	J24185471		1-	A	
R 4314	CHIP RES.	100k	1/16W	5%	RMC1/16 104JATP	J24185104		1-	A	
R 4315	CHIP RES.	33	1/10W	5%	RMC1/10T 330J	J24205330		1-	A	
R 4316	CHIP RES.	220	1/16W	5%	RMC1/16 221JATP	J24185221		1-	A	
R 4317	CHIP RES.	33	1/10W	5%	RMC1/10T 330J	J24205330		1-	A	
R 4318	CHIP RES.	33	1/10W	5%	RMC1/10T 330J	J24205330		1-	A	
R 4319	CHIP RES.	220	1/16W	5%	RMC1/16 221JATP	J24185221		1-	A	
R 4320	CHIP RES.	22	1/16W	5%	RMC1/16 220JATP	J24185220		1-	A	
R 4321	CHIP RES.	220	1/16W	5%	RMC1/16 221JATP	J24185221		1-	A	
R 4322	CHIP RES.	470	1/16W	5%	RMC1/16 471JATP	J24185471		1-	A	
R 4324	CHIP RES.	0	1/16W	5%	RMC1/16 000JATP	J24185000		1-	A	
RL4001	RELAY		DC12V		FTR-B4SA012Z-B05	M1190209		1-	A	
RL4002	RELAY		DC12V		FTR-B4SA012Z-B05	M1190209		1-	A	
RL4003	RELAY		DC12V		FTR-B4SA012Z-B05	M1190209		1-	A	
RL4004	RELAY		DC12V		FTR-B4SA012Z-B05	M1190209		1-	A	
RL4005	RELAY		DC12V		FTR-B4SA012Z-B05	M1190209		1-	A	
RL4006	RELAY		DC12V		FTR-B4SA012Z-B05	M1190209		1-	A	
RL4007	RELAY		DC12V		FTR-B4SA012Z-B05	M1190209		1-	A	
T 4001	BALUN TRANSFORMERS				120491012A	L0023160		1-	A	
T 4002	BALUN TRANSFORMERS				100812913A	L0023088		1-	A	
T 4003	BALUN TRANSFORMERS				080812769	L0023049		1-	A	
T 4004	BALUN TRANSFORMERS				100812947	L0023137		1-	A	
T 4005	BALUN TRANSFORMERS				#458PT-1565	L0190273		1-	A	
T 4006	BALUN TRANSFORMERS				070812736D	L0023047		1-	A	
T 4007	BALUN TRANSFORMERS				070812735D	L0023046		1-	A	
T 4008	BALUN TRANSFORMERS				070812735D	L0023046		1-	A	
T 4009	BALUN TRANSFORMERS				070812735D	L0023046		1-	A	
T 4010	BALUN TRANSFORMERS				070812737B	L0023048		1-	A	

RX-2 Unit Parts List

REF	DESCRIPTION	VALUE	V/W	TOL.	MFR'S DESIG	YAESU P/N	VERS.	LOT	SIDE	LAY ADR
T 4011	BALUN TRANSFOMERS				070812735D	L0023046		1-	A	
T 4012	BALUN TRANSFOMERS				070812735D	L0023046		1-	A	
T 4013	BALUN TRANSFOMERS				080812769	L0023049		1-	A	
T 4014	BALUN TRANSFOMERS				070812736D	L0023047		1-	A	
T 4015	BALUN TRANSFOMERS				100812947	L0023137		1-	A	
T 4016	BALUN TRANSFOMERS				070812736D	L0023047		1-	A	
T 4020	BALUN TRANSFOMERS				100812947	L0023137		1-	A	
T 4022	BALUN TRANSFOMERS				070812737B	L0023048		1-	A	
T 4023	BALUN TRANSFOMERS				070812737B	L0023048		1-	A	
T 4024	BALUN TRANSFOMERS				100812913A	L0023088		1-	A	
T 4025	BALUN TRANSFOMERS				180491068	L0023349		1-	A	
TP4005	CHECK TERMINAL				RCTCTE	Q5000103		1-	A	
TP4006	CHECK TERMINAL				RCTCTE	Q5000103		1-	A	
TP4007	CHECK TERMINAL				RCTCTE	Q5000103		1-	A	
VR4001	POT.	50k			VG039NCHXTB503	J51846503		1-	A	
VR4002	POT.	100			VG039NSNXTB101	J51848101		1-	A	
XF4001	XTAL FILTER	8.9MHz			8M12B-8.900MHZ	H1102516		1-	A	
XF4002	XTAL FILTER	8.9MHz			8M12B-8.900MHZ	H1102516		1-	A	
XF4003	XTAL FILTER	8.9MHz			8M27C(8FC)-8.900MHZ	H1102518		1-	A	
XF4004	XTAL FILTER	8.9MHz			W08F06A-8.900MHZ	H1102520A		1-	A	
	SHIELD CASE				(BPF)	RA0961600		1-		
	SHIELD CASE COVER				(BPF)	RA0961700		1-		
	SHIELD CASE				(33X47)	RA0830500		1-		
	SHIELD CASE COVER				(33X47)	RA0830600		1-		
	SHIELD CASE				(37x30.5)	RA6079500		1-		
	SHIELD CASE COVER				(37x30.5)	RA1152400		1-		







AF Unit Parts List

REF	DESCRIPTION	VALUE	V/W	TOL.	MFR'S DESIG	YAESU P/N	VERS.	LOT	SIDE	LAY ADR
C 9001	CHIP CAP.	0.01uF	50V	X7R	GRM155R71H103KA88D	K22178848		1-	A	
C 9002	CHIP CAP.	0.033uF	10V	B	GRM155B11A333KA01D	K22108803		1-	A	
C 9003	CHIP CAP.	0.01uF	50V	X7R	GRM155R71H103KA88D	K22178848		1-	A	
C 9004	CHIP TA.CAP.	0.22uF	35V		TMCSA1V224MTRF	K78160027		1-	A	
C 9005	CHIP CAP.	0.033uF	10V	B	GRM155B11A333KA01D	K22108803		1-	A	
C 9006	CHIP TA.CAP.	0.22uF	35V		TMCSA1V224MTRF	K78160027		1-	A	
C 9007	CHIP CAP.	0.01uF	50V	X7R	GRM155R71H103KA88D	K22178848		1-	A	
C 9008	CHIP CAP.	0.01uF	50V	X7R	GRM155R71H103KA88D	K22178848		1-	A	
C 9009	CHIP TA.CAP.	1uF	25V		TMCMA1E105MTRF	K78140013		1-	A	
C 9010	CHIP CAP.	0.001uF	50V	B	GRM155B11H102KA01D	K22178809		1-	A	
C 9011	CHIP CAP.	0.1uF	50V	X7R	GRM155R71H104KE14D	K22178872		1-	A	
C 9012	CHIP CAP.	1uF	25V	X5R	GRM155R61E105KE11D	K22149010		1-	A	
C 9013	CHIP CAP.	100pF	50V	CH	GRM1552C1H101JA01D	K22178236		1-	A	
C 9014	CHIP CAP.	0.001uF	50V	B	GRM155B11H102KA01D	K22178809		1-	A	
C 9015	CHIP CAP.	0.1uF	50V	X7R	GRM155R71H104KE14D	K22178872		1-	A	
C 9016	CHIP CAP.	0.01uF	50V	X7R	GRM155R71H103KA88D	K22178848		1-	A	
C 9017	CHIP CAP.	0.001uF	50V	B	GRM155B11H102KA01D	K22178809		1-	A	
C 9018	CHIP CAP.	0.1uF	50V	X7R	GRM155R71H104KE14D	K22178872		1-	A	
C 9019	CHIP CAP.	0.01uF	50V	X7R	GRM155R71H103KA88D	K22178848		1-	A	
C 9020	CHIP CAP.	0.0022uF	50V	B	GRM155B11H222KA01D	K22178813		1-	A	
C 9021	CHIP CAP.	0.039uF	50V	X7R	GRM155R71H393KE14D	K22178862		1-	A	
C 9022	CHIP CAP.	0.01uF	50V	X7R	GRM155R71H103KA88D	K22178848		1-	A	
C 9023	CHIP TA.CAP.	47uF	16V		TMCMC1C476MTRF	K78120057		1-	A	
C 9024	CHIP CAP.	100pF	50V	CH	GRM1552C1H101JA01D	K22178236		1-	A	
C 9025	CHIP CAP.	100pF	50V	CH	GRM1552C1H101JA01D	K22178236		1-	A	
C 9026	CHIP CAP.	100pF	50V	CH	GRM1552C1H101JA01D	K22178236		1-	A	
C 9027	CHIP CAP.	100pF	50V	CH	GRM1552C1H101JA01D	K22178236		1-	A	
C 9028	CHIP CAP.	1uF	25V	X5R	GRM155R61E105KE11D	K22149010		1-	A	
C 9029	CHIP CAP.	0.001uF	50V	B	GRM155B11H102KA01D	K22178809		1-	A	
C 9030	CHIP CAP.	0.001uF	50V	B	GRM155B11H102KA01D	K22178809		1-	A	
C 9031	CHIP CAP.	5pF	50V	CH	GRM1552C1H5R0CA01D	K22178207		1-	A	
C 9032	CHIP CAP.	5pF	50V	CH	GRM1552C1H5R0CA01D	K22178207		1-	A	
C 9033	CHIP CAP.	0.1uF	50V	X7R	GRM155R71H104KE14D	K22178872		1-	A	
C 9034	CHIP CAP.	0.1uF	50V	X7R	GRM155R71H104KE14D	K22178872		1-	A	
C 9035	CHIP CAP.	0.1uF	50V	X7R	GRM155R71H104KE14D	K22178872		1-	A	
C 9036	CHIP CAP.	1uF	25V	X5R	GRM155R61E105KE11D	K22149010		1-	A	
C 9037	CHIP CAP.	0.01uF	50V	X7R	GRM155R71H103KA88D	K22178848		1-	A	
C 9038	CHIP CAP.	1uF	25V	X5R	GRM155R61E105KE11D	K22149010		1-	A	
C 9039	CHIP CAP.	100pF	50V	CH	GRM1552C1H101JA01D	K22178236		1-	A	
C 9040	CHIP CAP.	1uF	25V	X5R	GRM155R61E105KE11D	K22149010		1-	A	
C 9041	CHIP CAP.	1uF	25V	X5R	GRM155R61E105KE11D	K22149010		1-	A	
C 9042	AL.ELECTRO.CAP.	100uF	10V		10CE100GA	K48100016		1-	A	
C 9043	CHIP CAP.	0.0047uF	50V	B	GRM155B11H472KA01D	K22178838		1-	A	
C 9044	CHIP CAP.	0.01uF	50V	X7R	GRM155R71H103KA88D	K22178848		1-	A	
C 9045	CHIP CAP.	0.0047uF	50V	B	GRM155B11H472KA01D	K22178838		1-	A	
C 9046	AL.ELECTRO.CAP.	100uF	10V		10CE100GA	K48100016		1-	A	
C 9047	CHIP CAP.	0.01uF	50V	X7R	GRM155R71H103KA88D	K22178848		1-	A	
C 9048	CHIP TA.CAP.	1uF	25V		TMCMA1E105MTRF	K78140013		1-	A	
C 9049	CHIP CAP.	0.015uF	16V	B	GRM155B11C153KA01D	K22128807		1-	A	
C 9050	CHIP CAP.	0.1uF	50V	X7R	GRM155R71H104KE14D	K22178872		1-	A	
C 9051	AL.ELECTRO.CAP.	100uF	10V		10CE100GA	K48100016		1-	A	
C 9052	CHIP TA.CAP.	1uF	25V		TMCMA1E105MTRF	K78140013		1-	A	
C 9053	CHIP CAP.	10pF	50V	CH	GRM1552C1H100JA01D	K22178212		1-	A	
C 9054	CHIP CAP.	47pF	50V	CH	GRM1552C1H470JA01D	K22178228		1-	A	
C 9057	CHIP CAP.	0.1uF	50V	X7R	GRM155R71H104KE14D	K22178872		1-	A	
C 9058	CHIP CAP.	0.1uF	50V	X7R	GRM155R71H104KE14D	K22178872		1-	A	
C 9059	CHIP CAP.	0.1uF	50V	X7R	GRM155R71H104KE14D	K22178872		1-	A	
C 9060	CHIP CAP.	0.01uF	50V	X7R	GRM155R71H103KA88D	K22178848		1-	A	
C 9061	CHIP CAP.	0.001uF	50V	B	GRM155B11H102KA01D	K22178809		1-	A	
C 9062	CHIP CAP.	1uF	25V	X5R	GRM155R61E105KE11D	K22149010		1-	A	
C 9063	CHIP CAP.	0.001uF	50V	B	GRM155B11H102KA01D	K22178809		1-	A	
C 9064	AL.ELECTRO.CAP.	100uF	10V		10CE100GA	K48100016		1-	A	
C 9065	CHIP CAP.	1uF	25V	X5R	GRM155R61E105KE11D	K22149010		1-	A	
C 9066	CHIP CAP.	0.001uF	50V	B	GRM155B11H102KA01D	K22178809		1-	A	
C 9067	AL.ELECTRO.CAP.	100uF	10V		10CE100GA	K48100016		1-	A	
C 9068	CHIP CAP.	1uF	25V	X5R	GRM155R61E105KE11D	K22149010		1-	A	
C 9069	CHIP TA.CAP.	0.47uF	25V		TMCSA1E474MTRF	K78140009		1-	A	
C 9071	CHIP CAP.	0.01uF	50V	X7R	GRM155R71H103KA88D	K22178848		1-	A	
C 9073	CHIP CAP.	0.001uF	50V	B	GRM155B11H102KA01D	K22178809		1-	A	
C 9074	CHIP CAP.	4.7uF	6.3V	B	JMK107BJ475MA-T	K22084803		1-	A	
C 9075	CHIP CAP.	10uF	25V	B	GRM188R61E106MA73D	K22144818		1-	A	
C 9076	CHIP CAP.	0.01uF	50V	X7R	GRM155R71H103KA88D	K22178848		1-	A	
C 9077	CHIP CAP.	0.1uF	50V	X7R	GRM155R71H104KE14D	K22178872		1-	A	
C 9078	CHIP CAP.	1uF	25V	X5R	GRM155R61E105KE11D	K22149010		1-	A	
C 9079	CHIP CAP.	0.1uF	50V	X7R	GRM155R71H104KE14D	K22178872		1-	A	

AF Unit Parts List

REF	DESCRIPTION	VALUE	V/W	TOL.	MFR'S DESIG	YAESU P/N	VERS.	LOT	SIDE	LAY ADR
C 9080	CHIP CAP.	0.1uF	50V	X7R	GRM155R71H104KE14D	K22178872		1-	A	
C 9081	CHIP CAP.	4.7uF	6.3V	B	JMK107BJ475MA-T	K22084803		1-	A	
C 9082	CHIP CAP.	1uF	25V	X5R	GRM155R61E105KE11D	K22149010		1-	A	
C 9083	CHIP CAP.	0.01uF	50V	X7R	GRM155R71H103KA88D	K22178848		1-	A	
C 9084	CHIP CAP.	0.1uF	50V	X7R	GRM155R71H104KE14D	K22178872		1-	A	
C 9085	CHIP CAP.	0.01uF	50V	X7R	GRM155R71H103KA88D	K22178848		1-	A	
C 9086	CHIP CAP.	0.01uF	50V	X7R	GRM155R71H103KA88D	K22178848		1-	A	
C 9087	CHIP CAP.	0.01uF	50V	X7R	GRM155R71H103KA88D	K22178848		1-	A	
C 9088	CHIP CAP.	0.22uF	25V	X5R	GRM155R61E224KE01D	K22149006		1-	A	
C 9089	CHIP CAP.	0.0033uF	50V	B	GRM155B11H332KA01D	K22178815		1-	A	
C 9090	AL.ELECTRO.CAP.	100uF	10V		10CE100GA	K48100016		1-	A	
C 9091	CHIP CAP.	0.1uF	50V	X7R	GRM155R71H104KE14D	K22178872		1-	A	
C 9092	CHIP TA.CAP.	10uF	16V		TMCMA1C106MTRF	K78120077		1-	A	
C 9093	CHIP CAP.	0.1uF	50V	X7R	GRM155R71H104KE14D	K22178872		1-	A	
C 9095	CHIP CAP.	0.22uF	25V	X5R	GRM155R61E224KE01D	K22149006		1-	A	
C 9097	AL.ELECTRO.CAP.	100uF	10V		10CE100GA	K48100016		1-	A	
C 9098	CHIP CAP.	0.0033uF	50V	B	GRM155B11H332KA01D	K22178815		1-	A	
C 9099	CHIP TA.CAP.	10uF	16V		TMCMA1C106MTRF	K78120077		1-	A	
C 9100	CHIP CAP.	10uF	25V	B	GRM188R61E106MA73D	K22144818		1-	A	
C 9101	CHIP TA.CAP.	4.7uF	16V		F931C475MAA	K78120097		1-	A	
C 9102	CHIP CAP.	0.01uF	50V	X7R	GRM155R71H103KA88D	K22178848		1-	A	
C 9103	CHIP CAP.	10uF	25V	B	GRM188R61E106MA73D	K22144818		1-	A	
C 9104	CHIP CAP.	0.1uF	50V	X7R	GRM155R71H104KE14D	K22178872		1-	A	
C 9105	CHIP CAP.	0.001uF	50V	B	GRM155B11H102KA01D	K22178809		1-	A	
C 9106	CHIP CAP.	1uF	25V	X5R	GRM155R61E105KE11D	K22149010		1-	A	
C 9107	CHIP CAP.	0.1uF	50V	X7R	GRM155R71H104KE14D	K22178872		1-	A	
C 9108	CHIP CAP.	0.0047uF	50V	B	GRM155B11H472KA01D	K22178838		1-	A	
C 9109	CHIP CAP.	0.22uF	25V	X5R	GRM155R61E224KE01D	K22149006		1-	A	
C 9110	CHIP CAP.	1uF	25V	X5R	GRM155R61E105KE11D	K22149010		1-	A	
C 9111	CHIP CAP.	0.22uF	25V	X5R	GRM155R61E224KE01D	K22149006		1-	A	
C 9112	CHIP CAP.	1uF	25V	X5R	GRM155R61E105KE11D	K22149010		1-	A	
C 9113	AL.ELECTRO.CAP.	100uF	10V		10CE100GA	K48100016		1-	A	
C 9114	CHIP TA.CAP.	10uF	16V		TMCMA1C106MTRF	K78120077		1-	A	
C 9115	AL.ELECTRO.CAP.	100uF	10V		10CE100GA	K48100016		1-	A	
C 9116	CHIP CAP.	0.1uF	50V	X7R	GRM155R71H104KE14D	K22178872		1-	A	
C 9117	CHIP CAP.	0.1uF	50V	X7R	GRM155R71H104KE14D	K22178872		1-	A	
C 9118	CHIP CAP.	1uF	25V	X5R	GRM155R61E105KE11D	K22149010		1-	A	
C 9119	CHIP CAP.	0.01uF	50V	X7R	GRM155R71H103KA88D	K22178848		1-	A	
C 9121	CHIP CAP.	0.1uF	50V	X7R	GRM155R71H104KE14D	K22178872		1-	A	
C 9123	CHIP TA.CAP.	0.1uF	35V		TMCSA1V104MTRF	K78160025		1-	A	
C 9125	CHIP CAP.	0.01uF	50V	X7R	GRM155R71H103KA88D	K22178848		1-	A	
C 9126	CHIP TA.CAP.	10uF	16V		TMCMA1C106MTRF	K78120077		1-	A	
C 9127	CHIP CAP.	4.7uF	6.3V	B	JMK107BJ475MA-T	K22084803		1-	A	
C 9128	CHIP CAP.	0.01uF	50V	X7R	GRM155R71H103KA88D	K22178848		1-	A	
C 9129	CHIP CAP.	0.01uF	50V	X7R	GRM155R71H103KA88D	K22178848		1-	A	
C 9130	AL.ELECTRO.CAP.	100uF	10V		10CE100GA	K48100016		1-	A	
C 9131	CHIP CAP.	470pF	50V	C0G	GRM1555C1H471JA01D	K22179748		1-	A	
C 9132	CHIP CAP.	470pF	50V	C0G	GRM1555C1H471JA01D	K22179748		1-	A	
C 9133	CHIP CAP.	1uF	25V	X5R	GRM155R61E105KE11D	K22149010		1-	A	
C 9134	CHIP CAP.	0.01uF	50V	X7R	GRM155R71H103KA88D	K22178848		1-	A	
C 9135	CHIP CAP.	0.1uF	50V	X7R	GRM155R71H104KE14D	K22178872		1-	A	
C 9136	CHIP TA.CAP.	0.1uF	35V		TMCSA1V104MTRF	K78160025		1-	A	
C 9137	CHIP TA.CAP.	0.1uF	35V		TMCSA1V104MTRF	K78160025		1-	A	
C 9139	CHIP CAP.	1uF	25V	X5R	GRM155R61E105KE11D	K22149010		1-	A	
C 9140	CHIP CAP.	0.001uF	50V	B	GRM155B11H102KA01D	K22178809		1-	A	
C 9143	CHIP CAP.	0.01uF	50V	X7R	GRM155R71H103KA88D	K22178848		1-	A	
C 9144	CHIP CAP.	15pF	50V	CH	GRM1552C1H150JA01D	K22178216		1-	A	
C 9145	CHIP TA.CAP.	10uF	16V		TMCMA1C106MTRF	K78120077		1-	A	
C 9146	CHIP CAP.	15pF	50V	CH	GRM1552C1H150JA01D	K22178216		1-	A	
C 9147	CHIP TA.CAP.	10uF	16V		TMCMA1C106MTRF	K78120077		1-	A	
C 9148	CHIP CAP.	0.01uF	50V	X7R	GRM155R71H103KA88D	K22178848		1-	A	
C 9149	CHIP TA.CAP.	10uF	16V		TMCMA1C106MTRF	K78120077		1-	A	
C 9150	CHIP CAP.	0.1uF	50V	X7R	GRM155R71H104KE14D	K22178872		1-	A	
C 9151	CHIP CAP.	0.001uF	50V	B	GRM155B11H102KA01D	K22178809		1-	A	
C 9152	CHIP CAP.	0.01uF	50V	X7R	GRM155R71H103KA88D	K22178848		1-	A	
C 9153	CHIP CAP.	0.1uF	50V	X7R	GRM155R71H104KE14D	K22178872		1-	A	
C 9154	CHIP TA.CAP.	10uF	16V		TMCMA1C106MTRF	K78120077		1-	A	
C 9155	CHIP CAP.	0.01uF	50V	X7R	GRM155R71H103KA88D	K22178848		1-	A	
C 9156	CHIP CAP.	1uF	25V	X5R	GRM155R61E105KE11D	K22149010		1-	A	
C 9157	CHIP TA.CAP.	10uF	16V		TMCMA1C106MTRF	K78120077		1-	A	
C 9158	CHIP CAP.	0.01uF	50V	X7R	GRM155R71H103KA88D	K22178848		1-	A	
C 9159	CHIP CAP.	0.001uF	50V	B	GRM155B11H102KA01D	K22178809		1-	A	
C 9160	CHIP CAP.	1uF	25V	X5R	GRM155R61E105KE11D	K22149010		1-	A	
C 9161	CHIP CAP.	0.0047uF	50V	B	GRM155B11H472KA01D	K22178838		1-	A	
C 9162	AL.ELECTRO.CAP.	1000uF	25V		25CE1000BS	K48140025		1-	A	

AF Unit Parts List

REF	DESCRIPTION	VALUE	V/W	TOL.	MFR'S DESIG	YAESU P/N	VERS.	LOT	SIDE	LAY ADR
C 9163	CHIP CAP.	0.1uF	50V	X7R	GRM155R71H104KE14D	K22178872		1-	A	
C 9164	CHIP TA.CAP.	10uF	16V		TMCMA1C106MTRF	K78120077		1-	A	
C 9165	CHIP CAP.	0.22uF	25V	X5R	GRM155R61E224KE01D	K22149006		1-	A	
C 9166	CHIP CAP.	0.22uF	25V	X5R	GRM155R61E224KE01D	K22149006		1-	A	
C 9167	CHIP CAP.	1uF	25V	X5R	GRM155R61E105KE11D	K22149010		1-	A	
C 9168	CHIP CAP.	0.01uF	50V	X7R	GRM155R71H103KA88D	K22178848		1-	A	
C 9169	CHIP CAP.	0.1uF	50V	X7R	GRM155R71H104KE14D	K22178872		1-	A	
C 9170	CHIP CAP.	0.01uF	50V	X7R	GRM155R71H103KA88D	K22178848		1-	A	
C 9171	CHIP CAP.	0.1uF	50V	X7R	GRM155R71H104KE14D	K22178872		1-	A	
C 9172	CHIP CAP.	0.01uF	50V	X7R	GRM155R71H103KA88D	K22178848		1-	A	
C 9173	CHIP CAP.	0.01uF	50V	X7R	GRM155R71H103KA88D	K22178848		1-	A	
C 9174	CHIP CAP.	1uF	25V	X5R	GRM155R61E105KE11D	K22149010		1-	A	
C 9175	CHIP CAP.	0.0022uF	50V	B	GRM155B11H222KA01D	K22178813		1-	A	
C 9176	CHIP CAP.	10uF	25V	B	GRM188R61E106MA73D	K22144818		1-	A	
C 9177	CHIP CAP.	0.022uF	16V	B	GRM155B11C223KA01D	K22128806		1-	A	
C 9178	CHIP CAP.	0.012uF	50V	X7R	GRM155R71H123KA12D	K22178850		1-	A	
C 9179	CHIP CAP.	0.01uF	50V	X7R	GRM155R71H103KA88D	K22178848		1-	A	
C 9180	CHIP CAP.	1uF	25V	X5R	GRM155R61E105KE11D	K22149010		1-	A	
C 9181	CHIP CAP.	0.0018uF	50V	C0G	GRM1555C1H182JA01D	K22179762		1-	A	
C 9183	AL.ELECTRO.CAP.	470uF	16V		16CE470BS	K48120035		1-	A	
C 9185	CHIP CAP.	0.01uF	50V	X7R	GRM155R71H103KA88D	K22178848		1-	A	
C 9186	CHIP CAP.	0.01uF	50V	X7R	GRM155R71H103KA88D	K22178848		1-	A	
C 9187	CHIP CAP.	0.0047uF	50V	B	GRM155B11H472KA01D	K22178838		1-	A	
C 9188	AL.ELECTRO.CAP.	1000uF	25V		25CE1000BS	K48140025		1-	A	
C 9189	CHIP CAP.	0.1uF	50V	X7R	GRM155R71H104KE14D	K22178872		1-	A	
C 9190	AL.ELECTRO.CAP.	470uF	16V		16CE470BS	K48120035		1-	A	
C 9192	CHIP TA.CAP.	10uF	16V		TMCMA1C106MTRF	K78120077		1-	A	
C 9194	AL.ELECTRO.CAP.	100uF	10V		10CE100GA	K48100016		1-	A	
C 9196	AL.ELECTRO.CAP.	47uF	16V		EEE1CA470SP	K48120005		1-	A	
C 9197	CHIP TA.CAP.	10uF	10V		TMCMA1A106MTRF	K78100028		1-	A	
C 9198	CHIP CAP.	0.01uF	50V	X7R	GRM155R71H103KA88D	K22178848		1-	A	
C 9200	CHIP TA.CAP.	10uF	10V		TMCMA1A106MTRF	K78100028		1-	A	
C 9201	CHIP CAP.	0.01uF	50V	X7R	GRM155R71H103KA88D	K22178848		1-	A	
C 9202	CHIP CAP.	1uF	25V	X5R	GRM155R61E105KE11D	K22149010		1-	A	
C 9203	CHIP CAP.	1uF	25V	X5R	GRM155R61E105KE11D	K22149010		1-	A	
C 9204	CHIP TA.CAP.	47uF	16V		TAJCA476M016RNJ	K78120125		1-	A	
C 9205	CHIP CAP.	470pF	50V	B	GRM155B11H471KA01D	K22178805		1-	A	
C 9206	CHIP CAP.	10uF	25V	B	GRM188R61E106MA73D	K22144818		1-	A	
C 9207	CHIP CAP.	0.01uF	50V	X7R	GRM155R71H103KA88D	K22178848		1-	A	
C 9208	CHIP CAP.	0.01uF	50V	X7R	GRM155R71H103KA88D	K22178848		1-	A	
C 9209	CHIP CAP.	10uF	25V	B	GRM188R61E106MA73D	K22144818		1-	A	
C 9210	CHIP TA.CAP.	47uF	16V		TAJCA476M016RNJ	K78120125		1-	A	
C 9211	CHIP CAP.	0.0068uF	25V	B	GRM155B11E682KA01D	K22148803		1-	A	
C 9212	CHIP CAP.	0.0056uF	50V	X7R	GRM155R71H562KA88D	K22178842		1-	A	
C 9214	CHIP CAP.	0.0047uF	50V	B	GRM155B11H472KA01D	K22178838		1-	A	
C 9218	AL.ELECTRO.CAP.	470uF	16V		16CE470BS	K48120035		1-	A	
C 9219	CHIP CAP.	0.1uF	50V	X7R	GRM155R71H104KE14D	K22178872		1-	A	
C 9220	AL.ELECTRO.CAP.	10uF	25V		EEEHA1E100R	K48140009		1-	A	
C 9221	AL.ELECTRO.CAP.	100uF	16V		EEE1CA101WP	K48120012		1-	A	
C 9222	CHIP CAP.	0.01uF	50V	X7R	GRM155R71H103KA88D	K22178848		1-	A	
C 9223	CHIP CAP.	0.01uF	50V	X7R	GRM155R71H103KA88D	K22178848		1-	A	
C 9224	CHIP CAP.	1uF	25V	X5R	GRM155R61E105KE11D	K22149010		1-	A	
C 9225	CHIP CAP.	0.1uF	50V	X7R	GRM155R71H104KE14D	K22178872		1-	A	
C 9228	CHIP CAP.	1uF	25V	X5R	GRM155R61E105KE11D	K22149010		1-	A	
C 9229	CHIP CAP.	1uF	25V	X5R	GRM155R61E105KE11D	K22149010		1-	A	
C 9231	CHIP CAP.	0.01uF	50V	X7R	GRM155R71H103KA88D	K22178848		1-	A	
C 9232	CHIP CAP.	0.01uF	50V	X7R	GRM155R71H103KA88D	K22178848		1-	A	
C 9233	CHIP CAP.	0.01uF	50V	X7R	GRM155R71H103KA88D	K22178848		1-	A	
C 9234	CHIP CAP.	0.01uF	50V	X7R	GRM155R71H103KA88D	K22178848		1-	A	
C 9237	CHIP CAP.	0.1uF	50V	X7R	GRM155R71H104KE14D	K22178872		1-	A	
C 9238	CHIP CAP.	0.001uF	50V	B	GRM155B11H102KA01D	K22178809		1-	A	
C 9239	CHIP CAP.	0.1uF	50V	X7R	GRM155R71H104KE14D	K22178872		1-	A	
C 9240	CHIP CAP.	1uF	25V	X5R	GRM155R61E105KE11D	K22149010		1-	A	
C 9241	CHIP CAP.	4.7uF	25V	B	GRM21BB31E475KA75L	K22140832		1-	A	
C 9244	CHIP CAP.	4.7uF	25V	B	GRM21BB31E475KA75L	K22140832		1-	A	
C 9245	AL.ELECTRO.CAP.	47uF	16V		EEE1CA470SP	K48120005		1-	A	
C 9246	CHIP CAP.	0.001uF	50V	B	GRM155B11H102KA01D	K22178809		1-	A	
C 9247	CHIP CAP.	0.01uF	50V	X7R	GRM155R71H103KA88D	K22178848		1-	A	
C 9248	CHIP CAP.	0.01uF	50V	X7R	GRM155R71H103KA88D	K22178848		1-	A	
C 9249	CHIP TA.CAP.	1uF	35V		TMCMA1V105MTRF	K78160032		1-	A	
C 9250	CHIP CAP.	0.1uF	50V	X7R	GRM155R71H104KE14D	K22178872		1-	A	
C 9251	CHIP CAP.	22pF	50V	CH	GRM1552C1H220JA01D	K22178220		1-	A	
C 9252	CHIP CAP.	0.1uF	50V	X7R	GRM155R71H104KE14D	K22178872		1-	A	
C 9253	CHIP TA.CAP.	47uF	16V		TAJCA476M016RNJ	K78120125		1-	A	
C 9254	CHIP CAP.	0.1uF	50V	X7R	GRM155R71H104KE14D	K22178872		1-	A	

AF Unit Parts List

REF	DESCRIPTION	VALUE	V/W	TOL.	MFR'S DESIG	YAESU P/N	VERS.	LOT	SIDE	LAY ADR
C 9255	CHIP CAP.	0.1uF	50V	X7R	GRM155R71H104KE14D	K22178872		1-	A	
C 9256	CHIP CAP.	10uF	25V	B	GRM188R61E106MA73D	K22144818		1-	A	
C 9257	AL.ELECTRO.CAP.	100uF	16V		EEE1CA101WP	K48120012		1-	A	
C 9258	AL.ELECTRO.CAP.	100uF	16V		EEE1CA101WP	K48120012		1-	A	
C 9259	CHIP CAP.	0.1uF	50V	X7R	GRM155R71H104KE14D	K22178872		1-	A	
C 9260	CHIP CAP.	0.001uF	50V	B	GRM155B11H102KA01D	K22178809		1-	A	
C 9261	CHIP CAP.	0.1uF	50V	X7R	GRM155R71H104KE14D	K22178872		1-	A	
C 9262	CHIP CAP.	0.1uF	50V	X7R	GRM155R71H104KE14D	K22178872		1-	A	
C 9263	CHIP CAP.	0.01uF	50V	X7R	GRM155R71H103KA88D	K22178848		1-	A	
C 9264	CHIP CAP.	0.01uF	50V	X7R	GRM155R71H103KA88D	K22178848		1-	A	
C 9265	CHIP CAP.	4.7uF	25V	B	GRM21BB31E475KA75L	K22140832		1-	A	
C 9266	AL.ELECTRO.CAP.	47uF	16V		EEE1CA470SP	K48120005		1-	A	
C 9267	CHIP CAP.	0.1uF	50V	X7R	GRM155R71H104KE14D	K22178872		1-	A	
C 9268	AL.ELECTRO.CAP.	100uF	16V		EEE1CA101WP	K48120012		1-	A	
C 9269	AL.ELECTRO.CAP.	100uF	16V		EEE1CA101WP	K48120012		1-	A	
C 9270	CHIP CAP.	0.1uF	50V	X7R	GRM155R71H104KE14D	K22178872		1-	A	
C 9271	CHIP CAP.	0.1uF	50V	X7R	GRM155R71H104KE14D	K22178872		1-	A	
C 9272	CHIP CAP.	0.1uF	50V	X7R	GRM155R71H104KE14D	K22178872		1-	A	
C 9273	AL.ELECTRO.CAP.	47uF	16V		EEE1CA470SP	K48120005		1-	A	
C 9274	AL.ELECTRO.CAP.	100uF	16V		EEE1CA101WP	K48120012		1-	A	
C 9275	AL.ELECTRO.CAP.	47uF	16V		EEE1CA470WR	K48120025		1-	A	
C 9276	CHIP CAP.	1uF	25V	X5R	GRM155R61E105KE11D	K22149010		1-	A	
C 9277	CHIP CAP.	0.01uF	50V	X7R	GRM155R71H103KA88D	K22178848		1-	A	
C 9278	CHIP CAP.	0.0047uF	50V	B	GRM155B11H472KA01D	K22178838		1-	A	
C 9279	CHIP CAP.	0.0047uF	50V	B	GRM155B11H472KA01D	K22178838		1-	A	
C 9280	CHIP CAP.	100pF	50V	CH	GRM1552C1H101JA01D	K22178236		1-	A	
C 9281	CHIP CAP.	100pF	50V	CH	GRM1552C1H101JA01D	K22178236		1-	A	
C 9282	CHIP CAP.	100pF	50V	CH	GRM1552C1H101JA01D	K22178236		1-	A	
C 9283	CHIP CAP.	100pF	50V	CH	GRM1552C1H101JA01D	K22178236		1-	A	
C 9284	CHIP CAP.	100pF	50V	CH	GRM1552C1H101JA01D	K22178236		1-	A	
C 9285	CHIP CAP.	0.001uF	50V	B	GRM155B11H102KA01D	K22178809		1-	A	
C 9286	CHIP CAP.	0.001uF	50V	B	GRM155B11H102KA01D	K22178809		1-	A	
C 9287	CHIP CAP.	0.001uF	50V	B	GRM155B11H102KA01D	K22178809		1-	A	
C 9289	CHIP CAP.	100pF	50V	CH	GRM1552C1H101JA01D	K22178236		1-	A	
C 9290	CHIP CAP.	100pF	50V	CH	GRM1552C1H101JA01D	K22178236		1-	A	
C 9291	CHIP CAP.	100pF	50V	CH	GRM1552C1H101JA01D	K22178236		1-	A	
C 9292	CHIP CAP.	100pF	50V	CH	GRM1552C1H101JA01D	K22178236		1-	A	
C 9293	CHIP CAP.	100pF	50V	CH	GRM1552C1H101JA01D	K22178236		1-	A	
C 9294	CHIP CAP.	0.001uF	50V	B	GRM155B11H102KA01D	K22178809		1-	A	
C 9295	CHIP CAP.	0.001uF	50V	B	GRM155B11H102KA01D	K22178809		1-	A	
C 9296	CHIP CAP.	0.001uF	50V	B	GRM155B11H102KA01D	K22178809		1-	A	
C 9297	CHIP CAP.	0.001uF	50V	B	GRM155B11H102KA01D	K22178809		1-	A	
C 9298	CHIP CAP.	0.001uF	50V	B	GRM155B11H102KA01D	K22178809		1-	A	
C 9299	CHIP CAP.	0.001uF	50V	B	GRM155B11H102KA01D	K22178809		1-	A	
C 9300	CHIP CAP.	0.001uF	50V	B	GRM155B11H102KA01D	K22178809		1-	A	
C 9301	CHIP CAP.	0.001uF	50V	B	GRM155B11H102KA01D	K22178809		1-	A	
C 9302	CHIP CAP.	100pF	50V	CH	GRM1552C1H101JA01D	K22178236		1-	A	
C 9303	CHIP CAP.	100pF	50V	CH	GRM1552C1H101JA01D	K22178236		1-	A	
C 9304	CHIP CAP.	0.001uF	50V	B	GRM155B11H102KA01D	K22178809		1-	A	
C 9305	CHIP CAP.	0.001uF	50V	B	GRM155B11H102KA01D	K22178809		1-	A	
C 9306	CHIP CAP.	0.001uF	50V	B	GRM155B11H102KA01D	K22178809		1-	A	
C 9307	CHIP CAP.	100pF	50V	CH	GRM1552C1H101JA01D	K22178236		1-	A	
C 9308	CHIP CAP.	100pF	50V	CH	GRM1552C1H101JA01D	K22178236		1-	A	
C 9313	CHIP CAP.	0.001uF	50V	B	GRM155B11H102KA01D	K22178809		1-	A	
C 9314	CHIP CAP.	0.001uF	50V	B	GRM155B11H102KA01D	K22178809		1-	A	
C 9315	CHIP CAP.	0.001uF	50V	B	GRM155B11H102KA01D	K22178809		1-	A	
C 9316	CHIP CAP.	0.001uF	50V	B	GRM155B11H102KA01D	K22178809		1-	A	
C 9317	CHIP CAP.	0.001uF	50V	B	GRM155B11H102KA01D	K22178809		1-	A	
C 9318	CHIP CAP.	0.001uF	50V	B	GRM155B11H102KA01D	K22178809		1-	A	
C 9319	CHIP CAP.	0.1uF	50V	X7R	GRM155R71H104KE14D	K22178872		1-	A	
C 9320	CHIP CAP.	0.1uF	50V	X7R	GRM155R71H104KE14D	K22178872		1-	A	
C 9321	CHIP CAP.	0.1uF	50V	X7R	GRM155R71H104KE14D	K22178872		1-	A	
C 9322	CHIP CAP.	0.1uF	50V	X7R	GRM155R71H104KE14D	K22178872		1-	A	
C 9323	CHIP CAP.	0.1uF	50V	X7R	GRM155R71H104KE14D	K22178872		1-	A	
C 9324	CHIP CAP.	0.1uF	50V	X7R	GRM155R71H104KE14D	K22178872		1-	A	
C 9325	CHIP CAP.	0.001uF	50V	B	GRM155B11H102KA01D	K22178809		1-	A	
C 9326	CHIP CAP.	0.001uF	50V	B	GRM155B11H102KA01D	K22178809		1-	A	
C 9327	CHIP CAP.	0.001uF	50V	B	GRM155B11H102KA01D	K22178809		1-	A	
C 9328	AL.ELECTRO.CAP.	220uF	10V		EEE1AA221XP	K48100007		1-	A	
C 9329	CHIP CAP.	0.001uF	50V	B	GRM155B11H102KA01D	K22178809		1-	A	
C 9330	CHIP CAP.	0.1uF	50V	X7R	GRM155R71H104KE14D	K22178872		1-	A	
C 9331	AL.ELECTRO.CAP.	220uF	10V		EEE1AA221XP	K48100007		1-	A	
C 9332	CHIP CAP.	0.1uF	50V	X7R	GRM155R71H104KE14D	K22178872		1-	A	
C 9333	CHIP CAP.	0.01uF	50V	X7R	GRM155R71H103KA88D	K22178848		1-	A	
C 9334	CHIP CAP.	0.01uF	50V	X7R	GRM155R71H103KA88D	K22178848		1-	A	

AF Unit Parts List

REF	DESCRIPTION	VALUE	V/W	TOL.	MFR'S DESIG	YAESU P/N	VERS.	LOT	SIDE	LAY ADR
C 9335	CHIP CAP.	4.7uF	25V	B	GRM21BB31E475KA75L	K22140832		1-	A	
C 9336	CHIP CAP.	1uF	25V	X5R	GRM155R61E105KE11D	K22149010		1-	A	
C 9337	CHIP CAP.	0.001uF	50V	B	GRM155B11H102KA01D	K22178809		1-	A	
C 9338	CHIP CAP.	0.1uF	50V	X7R	GRM155R71H104KE14D	K22178872		1-	A	
C 9339	CHIP CAP.	0.1uF	50V	X7R	GRM155R71H104KE14D	K22178872		1-	A	
C 9340	CHIP CAP.	0.01uF	50V	X7R	GRM155R71H103KA88D	K22178848		1-	A	
C 9341	CHIP CAP.	0.01uF	50V	X7R	GRM155R71H103KA88D	K22178848		1-	A	
C 9342	AL.ELECTRO.CAP.	220uF	16V		EMVA160ADA221MF80G	K48120021		1-	A	
C 9343	CHIP TA.CAP.	10uF	16V		TMCMA1C106MTRF	K78120077		1-	A	
C 9344	CHIP CAP.	0.01uF	50V	X7R	GRM155R71H103KA88D	K22178848		1-	A	
C 9345	CHIP CAP.	1uF	25V	X5R	GRM155R61E105KE11D	K22149010		1-	A	
C 9346	CHIP CAP.	0.0047uF	50V	B	GRM155B11H472KA01D	K22178838		1-	A	
C 9347	CHIP CAP.	0.0056uF	50V	X7R	GRM155R71H562KA88D	K22178842		1-	A	
C 9348	CHIP CAP.	0.012uF	50V	X7R	GRM155R71H123KA12D	K22178850		1-	A	
C 9349	CHIP CAP.	0.0018uF	50V	C0G	GRM1555C1H182JA01D	K22179762		1-	A	
C 9350	CHIP CAP.	1uF	25V	X5R	GRM155R61E105KE11D	K22149010		1-	A	
C 9351	CHIP CAP.	10uF	25V	B	GRM188R61E106MA73D	K22144818		1-	A	
D 9002	DIODE				DAN202U T106	G2070162		1-	A	
D 9005	DIODE				1SS355 TE-17	G2070470		1-	A	
D 9006	DIODE				1SS355 TE-17	G2070470		1-	A	
D 9007	DIODE				UDZS TE-17 6.2B	G2070912		1-	A	
D 9008	DIODE				1SS355 TE-17	G2070470		1-	A	
D 9009	DIODE				1SS355 TE-17	G2070470		1-	A	
D 9010	DIODE				RB521S-30 TE61	G2070642		1-	A	
D 9011	DIODE				RB521S-30 TE61	G2070642		1-	A	
D 9012	DIODE				RB521S-30 TE61	G2070642		1-	A	
D 9013	DIODE				1SS355 TE-17	G2070470		1-	A	
D 9014	DIODE				RB521S-30 TE61	G2070642		1-	A	
D 9015	DIODE				RB521S-30 TE61	G2070642		1-	A	
D 9016	DIODE				1SS389(TPL3.F)	G2070608		1-	A	
D 9017	DIODE				1SS389(TPL3.F)	G2070608		1-	A	
D 9018	DIODE				1SS355 TE-17	G2070470		1-	A	
D 9019	DIODE				1SS355 TE-17	G2070470		1-	A	
D 9020	DIODE				1SS355 TE-17	G2070470		1-	A	
D 9021	DIODE				1SS355 TE-17	G2070470		1-	A	
D 9022	DIODE				1SS355 TE-17	G2070470		1-	A	
D 9023	DIODE				1SS355 TE-17	G2070470		1-	A	
D 9024	DIODE				1SS355 TE-17	G2070470		1-	A	
D 9025	DIODE				1SS355 TE-17	G2070470		1-	A	
D 9026	DIODE				1SS355 TE-17	G2070470		1-	A	
D 9027	DIODE				1SS355 TE-17	G2070470		1-	A	
D 9028	DIODE				1SS355 TE-17	G2070470		1-	A	
D 9029	DIODE				1SS389(TPL3.F)	G2070608		1-	A	
D 9030	DIODE				1SS389(TPL3.F)	G2070608		1-	A	
D 9031	DIODE				1SS355 TE-17	G2070470		1-	A	
D 9032	DIODE				1SS355 TE-17	G2070470		1-	A	
D 9033	DIODE				1SS355 TE-17	G2070470		1-	A	
D 9034	DIODE				TPD2E001DRSR	G2071648		1-	A	
D 9035	DIODE				UDZS TE-17 6.8B	G2070888		1-	A	
D 9036	DIODE				UDZS TE-17 6.8B	G2070888		1-	A	
FB9001	FERRITE BEADS				BLM15BD601SN1D	L9190222		1-	A	
FB9002	FERRITE BEADS				BLM15BD601SN1D	L9190222		1-	A	
FB9004	FERRITE BEADS				BLM15BD601SN1D	L9190222		1-	A	
FB9005	FERRITE BEADS				BLM15BD601SN1D	L9190222		1-	A	
FB9006	FERRITE BEADS				BLM15BD601SN1D	L9190222		1-	A	
FB9007	FERRITE BEADS				BLM15BD182SN1D	L9190220		1-	A	
FB9008	FERRITE BEADS				BLM15BD182SN1D	L9190220		1-	A	
FB9009	FERRITE BEADS				BLM15BD182SN1D	L9190220		1-	A	
FB9010	FERRITE BEADS				BLM15BD182SN1D	L9190220		1-	A	
FB9011	FERRITE BEADS				BLM15BD601SN1D	L9190222		1-	A	
FB9012	FERRITE BEADS				BLM15BD182SN1D	L9190220		1-	A	
FB9013	FERRITE BEADS				BLM15BD182SN1D	L9190220		1-	A	
FB9014	FERRITE BEADS				BLM15BD601SN1D	L9190222		1-	A	
FB9015	FERRITE BEADS				BLM15BD182SN1D	L9190220		1-	A	
FB9016	FERRITE BEADS				BLM15BD182SN1D	L9190220		1-	A	
FB9017	FERRITE BEADS				BLM15BD182SN1D	L9190220		1-	A	
FB9018	FERRITE BEADS				BLM15BD182SN1D	L9190220		1-	A	
FB9019	FERRITE BEADS				BLM15BD182SN1D	L9190220		1-	A	
FB9020	FERRITE BEADS				BLM15BD182SN1D	L9190220		1-	A	
FB9021	FERRITE BEADS				BLM15BD182SN1D	L9190220		1-	A	
FB9022	FERRITE BEADS				BLM15BD182SN1D	L9190220		1-	A	
FB9023	FERRITE BEADS				BLM15BD182SN1D	L9190220		1-	A	
FB9025	FERRITE BEADS				BLM15BD182SN1D	L9190220		1-	A	
FB9026	FERRITE BEADS				BLM15BD182SN1D	L9190220		1-	A	
FB9027	FERRITE BEADS				BLM15BD182SN1D	L9190220		1-	A	

AF Unit Parts List

REF	DESCRIPTION	VALUE	V/W	TOL.	MFR'S DESIG	YAESU P/N	VERS.	LOT	SIDE	LAY ADR
FB9028	FERRITE BEADS				BLM15BD182SN1D	L9190220		1-	A	
FB9029	FERRITE BEADS				BLM15BD182SN1D	L9190220		1-	A	
FB9030	FERRITE BEADS				BLM15BD182SN1D	L9190220		1-	A	
FB9031	FERRITE BEADS				BLM15BD182SN1D	L9190220		1-	A	
FB9032	FERRITE BEADS				BLM15BD182SN1D	L9190220		1-	A	
FB9033	FERRITE BEADS				BLM15BD182SN1D	L9190220		1-	A	
FB9034	FERRITE BEADS				BLM15BD182SN1D	L9190220		1-	A	
FB9035	FERRITE BEADS				BLM15BD182SN1D	L9190220		1-	A	
FB9036	FERRITE BEADS				BLM15BD182SN1D	L9190220		1-	A	
FB9037	FERRITE BEADS				BLM15BD182SN1D	L9190220		1-	A	
FB9038	FERRITE BEADS				BLM15BD182SN1D	L9190220		1-	A	
FB9039	FERRITE BEADS				BLM15BD182SN1D	L9190220		1-	A	
FB9040	FERRITE BEADS				BLM15BD182SN1D	L9190220		1-	A	
FB9041	FERRITE BEADS				BLM15BD182SN1D	L9190220		1-	A	
FB9042	FERRITE BEADS				BLM15BD182SN1D	L9190220		1-	A	
FB9043	FERRITE BEADS				BLM15BD182SN1D	L9190220		1-	A	
FB9044	FERRITE BEADS				BLM15BD182SN1D	L9190220		1-	A	
FB9045	FERRITE BEADS				BLM15BD182SN1D	L9190220		1-	A	
FB9046	FERRITE BEADS				BLM15BD182SN1D	L9190220		1-	A	
FB9047	FERRITE BEADS				BLM15BD182SN1D	L9190220		1-	A	
FB9048	FERRITE BEADS				BLM15BD182SN1D	L9190220		1-	A	
FB9049	FERRITE BEADS				BLM15BD182SN1D	L9190220		1-	A	
FB9050	FERRITE BEADS				BLM15BD182SN1D	L9190220		1-	A	
FB9051	FERRITE BEADS				BLM15BD182SN1D	L9190220		1-	A	
FB9052	FERRITE BEADS				BLM15BD182SN1D	L9190220		1-	A	
FB9053	FERRITE BEADS				BLM15BD182SN1D	L9190220		1-	A	
FB9054	FERRITE BEADS				BLM15BD182SN1D	L9190220		1-	A	
FB9055	FERRITE BEADS				BLM15BD182SN1D	L9190220		1-	A	
FB9056	FERRITE BEADS				BLM15BD182SN1D	L9190220		1-	A	
FB9057	FERRITE BEADS				BLM15BD182SN1D	L9190220		1-	A	
FB9058	FERRITE BEADS				BLM15BD182SN1D	L9190220		1-	A	
FB9059	FERRITE BEADS				BLM15BD182SN1D	L9190220		1-	A	
FB9060	FERRITE BEADS				BLM15BD182SN1D	L9190220		1-	A	
FB9061	FERRITE BEADS				BLM15BD182SN1D	L9190220		1-	A	
FB9062	FERRITE BEADS				BLM15BD182SN1D	L9190220		1-	A	
FB9063	FERRITE BEADS				BLM15BD182SN1D	L9190220		1-	A	
FB9064	FERRITE BEADS				BLM15PX221SN1D	L9190224		1-	A	
FB9065	FERRITE BEADS				BLM15PX221SN1D	L9190224		1-	A	
FB9066	FERRITE BEADS				BLM15PX221SN1D	L9190224		1-	A	
FB9067	FERRITE BEADS				BLM15PX221SN1D	L9190224		1-	A	
FB9068	FERRITE BEADS				BLM15PX221SN1D	L9190224		1-	A	
FB9069	FERRITE BEADS				BLM15PX221SN1D	L9190224		1-	A	
J 9001	CONNECTOR				SB20-10WS	P0090617		1-	A	
J 9002	CONNECTOR				SC25-03WS	P0090622		1-	A	
J 9003	CONNECTOR				SUB-110HB-B2N	P0091610		1-	A	
J 9004	CONNECTOR				1210-062-09P-AAE	P0091571		1-	A	
J 9005	CONNECTOR				HTJ-064-05G	P1091458		1-	A	
J 9006	CONNECTOR				YKB21-5295V	P1091443		1-	A	
J 9007	CONNECTOR				LNB0508BC-6-05A	P1091598		1-	A	
J 9009	CONNECTOR				YKB21-5295V	P1091443		1-	A	
J 9010	CONNECTOR				LP-0844-B	P1091594		1-	A	
J 9011	CONNECTOR				SB20-05WS	P0090612		1-	A	
J 9012	CONNECTOR				SC25-02WS	P0090621		1-	A	
J 9013	CONNECTOR				TSH-3563-12-PBT-T	P1091559		1-	A	
J 9014	CONNECTOR				TSH-3563-12-PBT-T	P1091559		1-	A	
J 9015	CONNECTOR				SB20-02WS	P0090609		1-	A	
J 9016	CONNECTOR				18FLT-SM2-TB(LF)(SN)(M)	P1091176		1-	A	
J 9017	CONNECTOR				40FLT-SM2-TB(LF)(SN)(M)	P1091251		1-	A	
J 9018	CONNECTOR				SB20-07WS	P0090614		1-	A	
J 9019	CONNECTOR				YKB21-5295V	P1091443		1-	A	
L 9001	M.RFC	100uH			LLM3225-101J	L1691145		1-	A	
Q 9001	IC				NJM2732V-TE1	G1095466		1-	A	
Q 9002	IC				NJM2732V-TE1	G1095466		1-	A	
Q 9003	IC				CD4066BPWR	G1093865		1-	A	
Q 9004	TRANSISTOR				DTC144EUA T106	G3070041		1-	A	
Q 9005	IC				LM2904PWR	G1094010		1-	A	
Q 9006	TRANSISTOR				DTC144EUA T106	G3070041		1-	A	
Q 9007	FET				RTM002P02(TAPE)	G3070347		1-	A	
Q 9008	IC				NJM2732V-TE1	G1095466		1-	A	
Q 9009	IC				NJM2732V-TE1	G1095466		1-	A	
Q 9010	IC				CD4066BPWR	G1093865		1-	A	
Q 9011	TRANSISTOR				2SC4081 T106 R	G3340818R		1-	A	
Q 9012	IC				LM2904PWR	G1094010		1-	A	
Q 9013	IC				ADM3202ARUZ	G1094022		1-	A	
Q 9014	TRANSISTOR				2SC4081 T106 R	G3340818R		1-	A	

AF Unit Parts List

REF	DESCRIPTION	VALUE	V/W	TOL.	MFR'S DESIG	YAESU P/N	VERS.	LOT	SIDE	LAY ADR
Q 9015	IC				USB2512BI-AEZG	G1094881		1-	A	
Q 9016	FET				RTM002P02(TAPE)	G3070347		1-	A	
Q 9017	TRANSISTOR				2SC4081 T106 R	G3340818R		1-	A	
Q 9018	TRANSISTOR				2SC4081 T106 R	G3340818R		1-	A	
Q 9019	IC				NJM2732V-TE1	G1095466		1-	A	
Q 9020	IC				NJM2732V-TE1	G1095466		1-	A	
Q 9021	IC				CD74HCT4053PWR	G1094273		1-	A	
Q 9022	TRANSISTOR				2SC4081 T106 R	G3340818R		1-	A	
Q 9023	TRANSISTOR				DTC144EUA T106	G3070041		1-	A	
Q 9024	IC				XC6221B332MR-G	G1094968		1-	A	
Q 9025	FET				RTM002P02(TAPE)	G3070347		1-	A	
Q 9026	IC				TC7SH86FU,LJ(CT	G1094078		1-	A	
Q 9027	IC				SN74LVC2G74DCUR	G1095616		1-	A	
Q 9028	IC				TC7SH86FU,LJ(CT	G1094078		1-	A	
Q 9029	IC				CD4066BPWR	G1093865		1-	A	
Q 9030	IC				SN74LVC2G74DCUR	G1095616		1-	A	
Q 9031	TRANSISTOR				DTC144EUA T106	G3070041		1-	A	
Q 9032	IC				TC4W53FU(TE12L_F)	G1091675		1-	A	
Q 9033	IC				NJM2732V-TE1	G1095466		1-	A	
Q 9034	TRANSISTOR				2SC4081 T106 R	G3340818R		1-	A	
Q 9035	TRANSISTOR				2SC4081 T106 R	G3340818R		1-	A	
Q 9036	IC				LM2902PWR	G1094009		1-	A	
Q 9037	TRANSISTOR				UMH11N TN	G3070212		1-	A	
Q 9038	IC				NJM2732V-TE1	G1095466		1-	A	
Q 9039	IC				CP2105-F01-GMR	G1094981		1-	A	
Q 9040	IC				NJM2172V-TE1	G1095083		1-	A	
Q 9041	IC				BU2502FS-E2	G1094524		1-	A	
Q 9042	TRANSISTOR				2SA1576A T106 R	G3115768R		1-	A	
Q 9043	TRANSISTOR				UMH11N TN	G3070212		1-	A	
Q 9044	IC				TC7SH08FU(TE85L.JF)	G1094736		1-	A	
Q 9045	IC				CD74HCT4053PWR	G1094273		1-	A	
Q 9046	TRANSISTOR				DTC144EUA T106	G3070041		1-	A	
Q 9047	TRANSISTOR				DTC144EUA T106	G3070041		1-	A	
Q 9048	IC				PCM2903CDBR	G1095588		1-	A	
Q 9049	IC				TDA2003G-TA5-T	G1095316		1-	A	
Q 9050	IC				NJM2172V-TE1	G1095083		1-	A	
Q 9051	IC				TC4W53FU(TE12L_F)	G1091675		1-	A	
Q 9052	TRANSISTOR				DTC144EUA T106	G3070041		1-	A	
Q 9053	IC				NJM2732V-TE1	G1095466		1-	A	
Q 9054	IC				NJM2732V-TE1	G1095466		1-	A	
Q 9055	IC				CD4052BPWR	G1093862		1-	A	
Q 9056	IC				TDA2003G-TA5-T	G1095316		1-	A	
Q 9057	TRANSISTOR				2SD1628-TD-E	G3416288		1-	A	
Q 9058	TRANSISTOR				2SA1576A T106 R	G3115768R		1-	A	
Q 9059	TRANSISTOR				2SA1576A T106 R	G3115768R		1-	A	
Q 9060	TRANSISTOR				2SC4081 T106 R	G3340818R		1-	A	
Q 9061	TRANSISTOR				2SC4081 T106 R	G3340818R		1-	A	
Q 9063	TRANSISTOR				2SC4081 T106 R	G3340818R		1-	A	
Q 9064	IC				BU2152FS(TAPE)	G1093942		1-	A	
Q 9065	IC				BU2505FV-E2	G1093714		1-	A	
Q 9067	TRANSISTOR				2SC4081 T106 R	G3340818R		1-	A	
Q 9068	TRANSISTOR				2SC4081 T106 R	G3340818R		1-	A	
Q 9069	IC				LM2902PWR	G1094009		1-	A	
Q 9070	IC				LM2902PWR	G1094009		1-	A	
Q 9071	IC				LM2902PWR	G1094009		1-	A	
Q 9072	IC				LM2904PWR	G1094010		1-	A	
Q 9075	IC				NJM2769BRB1-TE1	G1095570		1-	A	
Q 9076	TRANSISTOR				2SC4116GR(TE85L.F)	G3341168G		1-	A	
Q 9077	IC				CD74HCT4053PWR	G1094273		1-	A	
Q 9078	TRANSISTOR				DTC144EUA T106	G3070041		1-	A	
Q 9079	TRANSISTOR				DTC114EUA T106	G3070084		1-	A	
Q 9080	TRANSISTOR				DTC114EUA T106	G3070084		1-	A	
Q 9081	IC				NJM2732V-TE1	G1095466		1-	A	
R 9001	CHIP RES.	1k	1/16W	5%	RMC1/16S 102JTH	J24189025		1-	A	
R 9002	CHIP RES.	33k	1/16W	1%	RMC1/16SK333FTH	J24189494		1-	A	
R 9003	CHIP RES.	1k	1/16W	5%	RMC1/16S 102JTH	J24189025		1-	A	
R 9004	CHIP RES.	33k	1/16W	1%	RMC1/16SK333FTH	J24189494		1-	A	
R 9006	CHIP RES.	10k	1/16W	5%	RMC1/16S 103JTH	J24189037		1-	A	
R 9007	CHIP RES.	1k	1/16W	5%	RMC1/16S 102JTH	J24189025		1-	A	
R 9008	CHIP RES.	0	1/16W	5%	RMC1/16S JPTH	J24189070		1-	A	
R 9009	CHIP RES.	0	1/16W	5%	RMC1/16S JPTH	J24189070		1-	A	
R 9011	CHIP RES.	10	1/16W	5%	RMC1/16S 100JTH	J24189001		1-	A	
R 9012	CHIP RES.	10	1/16W	5%	RMC1/16S 100JTH	J24189001		1-	A	
R 9013	CHIP RES.	10k	1/16W	5%	RMC1/16S 103JTH	J24189037		1-	A	
R 9014	CHIP RES.	75k	1/16W	1%	RMC1/16SK753FTH	J24189606		1-	A	

AF Unit Parts List

REF	DESCRIPTION	VALUE	V/W	TOL.	MFR'S DESIG	YAESU P/N	VERS.	LOT	SIDE	LAY ADR
R 9015	CHIP RES.	10k	1/16W	5%	RMC1/16S 103JTH	J24189037		1-	A	
R 9016	CHIP RES.	10k	1/16W	5%	RMC1/16S 103JTH	J24189037		1-	A	
R 9017	CHIP RES.	10k	1/16W	5%	RMC1/16S 103JTH	J24189037		1-	A	
R 9018	CHIP RES.	6.8k	1/16W	1%	RMC1/16SK682FTH	J24189521		1-	A	
R 9019	CHIP RES.	6.8k	1/16W	1%	RMC1/16SK682FTH	J24189521		1-	A	
R 9020	CHIP RES.	10k	1/16W	5%	RMC1/16S 103JTH	J24189037		1-	A	
R 9021	CHIP RES.	10k	1/16W	5%	RMC1/16S 103JTH	J24189037		1-	A	
R 9022	CHIP RES.	6.8k	1/16W	1%	RMC1/16SK682FTH	J24189521		1-	A	
R 9023	CHIP RES.	6.8k	1/16W	1%	RMC1/16SK682FTH	J24189521		1-	A	
R 9024	CHIP RES.	75k	1/16W	1%	RMC1/16SK753FTH	J24189606		1-	A	
R 9025	CHIP RES.	10k	1/16W	5%	RMC1/16S 103JTH	J24189037		1-	A	
R 9026	CHIP RES.	10k	1/16W	5%	RMC1/16S 103JTH	J24189037		1-	A	
R 9027	CHIP RES.	10k	1/16W	5%	RMC1/16S 103JTH	J24189037		1-	A	
R 9028	CHIP RES.	4.7k	1/16W	1%	RMC1/16SK472FTH	J24189488		1-	A	
R 9029	CHIP RES.	4.7k	1/16W	1%	RMC1/16SK472FTH	J24189488		1-	A	
R 9030	CHIP RES.	470k	1/16W	5%	RMC1/16S 474JTH	J24189057		1-	A	
R 9031	CHIP RES.	6.8k	1/16W	1%	RMC1/16SK682FTH	J24189521		1-	A	
R 9032	CHIP RES.	22k	1/16W	1%	RMC1/16SK223FTH	J24189492		1-	A	
R 9033	CHIP RES.	47k	1/16W	1%	RMC1/16SK473FTH	J24189525		1-	A	
R 9034	CHIP RES.	4.7k	1/16W	1%	RMC1/16SK472FTH	J24189488		1-	A	
R 9035	CHIP RES.	4.7k	1/16W	1%	RMC1/16SK472FTH	J24189488		1-	A	
R 9036	CHIP RES.	68k	1/16W	1%	RMC1/16SK683FTH	J24189527		1-	A	
R 9037	CHIP RES.	6.8k	1/16W	1%	RMC1/16SK682FTH	J24189521		1-	A	
R 9038	CHIP RES.	68k	1/16W	1%	RMC1/16SK683FTH	J24189527		1-	A	
R 9039	CHIP RES.	22k	1/16W	1%	RMC1/16SK223FTH	J24189492		1-	A	
R 9040	CHIP RES.	47k	1/16W	1%	RMC1/16SK473FTH	J24189525		1-	A	
R 9041	CHIP RES.	4.7k	1/16W	1%	RMC1/16SK472FTH	J24189488		1-	A	
R 9042	CHIP RES.	4.7k	1/16W	1%	RMC1/16SK472FTH	J24189488		1-	A	
R 9043	CHIP RES.	100k	1/16W	5%	RMC1/16S 104JTH	J24189049		1-	A	
R 9044	CHIP RES.	100k	1/16W	5%	RMC1/16S 104JTH	J24189049		1-	A	
R 9045	CHIP RES.	100k	1/16W	5%	RMC1/16S 104JTH	J24189049		1-	A	
R 9046	CHIP RES.	0	1/16W	5%	RMC1/16S JPTH	J24189070		1-	A	
R 9047	CHIP RES.	1M	1/16W	5%	RMC1/16S 105JTH	J24189061		1-	A	
R 9048	CHIP RES.	12k	1/16W	1%	RMC1/16SK123FTH	J24189490		1-	A	
R 9049	CHIP RES.	10k	1/16W	5%	RMC1/16S 103JTH	J24189037		1-	A	
R 9050	CHIP RES.	47k	1/16W	5%	RMC1/16S 473JTH	J24189045		1-	A	
R 9051	CHIP RES.	1M	1/16W	5%	RMC1/16S 105JTH	J24189061		1-	A	
R 9052	CHIP RES.	10k	1/16W	5%	RMC1/16S 103JTH	J24189037		1-	A	
R 9053	CHIP RES.	100k	1/16W	5%	RMC1/16S 104JTH	J24189049		1-	A	
R 9054	CHIP RES.	180k	1/16W	5%	RMC1/16S 184JTH	J24189052		1-	A	
R 9055	CHIP RES.	10k	1/16W	5%	RMC1/16S 103JTH	J24189037		1-	A	
R 9056	CHIP RES.	220k	1/16W	5%	RMC1/16S 224JTH	J24189053		1-	A	
R 9057	CHIP RES.	15k	1/16W	5%	RMC1/16S 153JTH	J24189039		1-	A	
R 9058	CHIP RES.	2.2M	1/16W	5%	RMC1/16S 225JTH	J24189065		1-	A	
R 9059	CHIP RES.	10k	1/16W	5%	RMC1/16S 103JTH	J24189037		1-	A	
R 9060	CHIP RES.	10k	1/16W	5%	RMC1/16S 103JTH	J24189037		1-	A	
R 9061	CHIP RES.	10k	1/16W	5%	RMC1/16S 103JTH	J24189037		1-	A	
R 9062	CHIP RES.	100k	1/16W	5%	RMC1/16S 104JTH	J24189049		1-	A	
R 9063	CHIP RES.	180k	1/16W	5%	RMC1/16S 184JTH	J24189052		1-	A	
R 9064	CHIP RES.	220k	1/16W	5%	RMC1/16S 224JTH	J24189053		1-	A	
R 9065	CHIP RES.	15k	1/16W	5%	RMC1/16S 153JTH	J24189039		1-	A	
R 9066	CHIP RES.	2.2M	1/16W	5%	RMC1/16S 225JTH	J24189065		1-	A	
R 9067	CHIP RES.	470k	1/16W	5%	RMC1/16S 474JTH	J24189057		1-	A	
R 9068	CHIP RES.	4.7k	1/16W	5%	RMC1/16S 472JTH	J24189033		1-	A	
R 9069	CHIP RES.	4.7k	1/16W	5%	RMC1/16S 472JTH	J24189033		1-	A	
R 9070	CHIP RES.	150k	1/16W	5%	RMC1/16S 154JTH	J24189051		1-	A	
R 9071	CHIP RES.	10k	1/16W	5%	RMC1/16S 103JTH	J24189037		1-	A	
R 9072	CHIP RES.	68k	1/16W	5%	RMC1/16S 683JTH	J24189047		1-	A	
R 9073	CHIP RES.	100k	1/16W	5%	RMC1/16S 104JTH	J24189049		1-	A	
R 9075	CHIP RES.	150k	1/16W	5%	RMC1/16S 154JTH	J24189051		1-	A	
R 9077	CHIP RES.	100k	1/16W	5%	RMC1/16S 104JTH	J24189049		1-	A	
R 9078	CHIP RES.	100k	1/16W	5%	RMC1/16S 104JTH	J24189049		1-	A	
R 9079	CHIP RES.	100k	1/16W	5%	RMC1/16S 104JTH	J24189049		1-	A	
R 9080	CHIP RES.	100k	1/16W	5%	RMC1/16S 104JTH	J24189049		1-	A	
R 9082	CHIP RES.	10k	1/16W	5%	RMC1/16S 103JTH	J24189037		1-	A	
R 9083	CHIP RES.	47k	1/16W	5%	RMC1/16S 473JTH	J24189045		1-	A	
R 9084	CHIP RES.	1M	1/16W	5%	RMC1/16S 105JTH	J24189061		1-	A	
R 9085	CHIP RES.	10k	1/16W	5%	RMC1/16S 103JTH	J24189037		1-	A	
R 9086	CHIP RES.	10k	1/16W	5%	RMC1/16S 103JTH	J24189037		1-	A	
R 9087	CHIP RES.	10k	1/16W	5%	RMC1/16S 103JTH	J24189037		1-	A	
R 9088	CHIP RES.	33k	1/16W	5%	RMC1/16S 333JTH	J24189043		1-	A	
R 9089	CHIP RES.	47	1/16W	5%	RMC1/16S 470JTH	J24189009		1-	A	
R 9090	CHIP RES.	47	1/16W	5%	RMC1/16S 470JTH	J24189009		1-	A	
R 9091	CHIP RES.	10k	1/16W	5%	RMC1/16S 103JTH	J24189037		1-	A	
R 9092	CHIP RES.	10k	1/16W	5%	RMC1/16S 103JTH	J24189037		1-	A	

AF Unit Parts List

REF	DESCRIPTION	VALUE	V/W	TOL.	MFR'S DESIG	YAESU P/N	VERS.	LOT	SIDE	LAY ADR
R 9093	CHIP RES.	10k	1/16W	5%	RMC1/16S 103JTH	J24189037		1-	A	
R 9094	CHIP RES.	4.7k	1/16W	5%	RMC1/16S 472JTH	J24189033		1-	A	
R 9095	CHIP RES.	33k	1/16W	5%	RMC1/16S 333JTH	J24189043		1-	A	
R 9096	CHIP RES.	47	1/16W	5%	RMC1/16S 470JTH	J24189009		1-	A	
R 9097	CHIP RES.	10k	1/16W	5%	RMC1/16S 103JTH	J24189037		1-	A	
R 9099	CHIP RES.	10k	1/16W	5%	RMC1/16S 103JTH	J24189037		1-	A	
R 9100	CHIP RES.	10k	1/16W	5%	RMC1/16S 103JTH	J24189037		1-	A	
R 9101	CHIP RES.	4.7k	1/16W	5%	RMC1/16S 472JTH	J24189033		1-	A	
R 9102	CHIP RES.	47	1/16W	5%	RMC1/16S 470JTH	J24189009		1-	A	
R 9103	CHIP RES.	10k	1/16W	5%	RMC1/16S 103JTH	J24189037		1-	A	
R 9104	CHIP RES.	82k	1/16W	5%	RMC1/16S 823JTH	J24189048		1-	A	
R 9105	CHIP RES.	22k	1/16W	5%	RMC1/16S 223JTH	J24189041		1-	A	
R 9106	CHIP RES.	22k	1/16W	5%	RMC1/16S 223JTH	J24189041		1-	A	
R 9107	CHIP RES.	47k	1/16W	5%	RMC1/16S 473JTH	J24189045		1-	A	
R 9108	CHIP RES.	0	1/16W	5%	RMC1/16S JPTH	J24189070		1-	A	
R 9109	CHIP RES.	1k	1/16W	5%	RMC1/16S 102JTH	J24189025		1-	A	
R 9110	CHIP RES.	220k	1/16W	5%	RMC1/16S 224JTH	J24189053		1-	A	
R 9112	CHIP RES.	100	1/16W	5%	RMC1/16S 101JTH	J24189013		1-	A	
R 9113	CHIP RES.	100k	1/16W	5%	RMC1/16S 104JTH	J24189049		1-	A	
R 9114	CHIP RES.	47k	1/16W	5%	RMC1/16S 473JTH	J24189045		1-	A	
R 9115	CHIP RES.	1M	1/16W	5%	RMC1/16S 105JTH	J24189061		1-	A	
R 9116	CHIP RES.	22	1/16W	5%	RMC1/16S 220JTH	J24189005		1-	A	
R 9117	CHIP RES.	22	1/16W	5%	RMC1/16S 220JTH	J24189005		1-	A	
R 9118	CHIP RES.	2.2k	1/16W	5%	RMC1/16S 222JTH	J24189029		1-	A	
R 9119	CHIP RES.	2.2k	1/16W	5%	RMC1/16S 222JTH	J24189029		1-	A	
R 9120	CHIP RES.	2.2k	1/16W	5%	RMC1/16S 222JTH	J24189029		1-	A	
R 9121	CHIP RES.	1k	1/16W	1%	RMC1/16SK102FTH	J24189487		1-	A	
R 9122	CHIP RES.	1k	1/16W	1%	RMC1/16SK102FTH	J24189487		1-	A	
R 9123	CHIP RES.	10k	1/16W	5%	RMC1/16S 103JTH	J24189037		1-	A	
R 9125	CHIP RES.	47	1/16W	5%	RMC1/16S 470JTH	J24189009		1-	A	
R 9126	CHIP RES.	22k	1/16W	5%	RMC1/16S 223JTH	J24189041		1-	A	
R 9127	CHIP RES.	0	1/16W	5%	RMC1/16S JPTH	J24189070		1-	A	
R 9128	CHIP RES.	47	1/16W	5%	RMC1/16S 470JTH	J24189009		1-	A	
R 9129	CHIP RES.	10k	1/16W	5%	RMC1/16S 103JTH	J24189037		1-	A	
R 9130	CHIP RES.	22k	1/16W	5%	RMC1/16S 223JTH	J24189041		1-	A	
R 9131	CHIP RES.	1k	1/16W	5%	RMC1/16S 102JTH	J24189025		1-	A	
R 9132	CHIP RES.	3.3k	1/16W	5%	RMC1/16S 332JTH	J24189031		1-	A	
R 9133	CHIP RES.	10k	1/16W	5%	RMC1/16S 103JTH	J24189037		1-	A	
R 9134	CHIP RES.	1k	1/16W	5%	RMC1/16S 102JTH	J24189025		1-	A	
R 9135	CHIP RES.	470k	1/16W	5%	RMC1/16S 474JTH	J24189057		1-	A	
R 9136	CHIP RES.	22k	1/16W	5%	RMC1/16S 223JTH	J24189041		1-	A	
R 9137	CHIP RES.	47k	1/16W	5%	RMC1/16S 473JTH	J24189045		1-	A	
R 9138	CHIP RES.	470	1/16W	5%	RMC1/16S 471JTH	J24189021		1-	A	
R 9139	CHIP RES.	22k	1/16W	1%	RMC1/16SK223FTH	J24189492		1-	A	
R 9140	CHIP RES.	10k	1/16W	5%	RMC1/16S 103JTH	J24189037		1-	A	
R 9142	CHIP RES.	100	1/16W	5%	RMC1/16S 101JTH	J24189013		1-	A	
R 9143	CHIP RES.	4.7k	1/16W	5%	RMC1/16S 472JTH	J24189033		1-	A	
R 9145	CHIP RES.	4.7k	1/16W	5%	RMC1/16S 472JTH	J24189033		1-	A	
R 9146	CHIP RES.	100	1/16W	5%	RMC1/16S 101JTH	J24189013		1-	A	
R 9147	CHIP RES.	1M	1/16W	5%	RMC1/16S 105JTH	J24189061		1-	A	
R 9148	CHIP RES.	6.8k	1/16W	5%	RMC1/16S 682JTH	J24189035		1-	A	
R 9149	CHIP RES.	100	1/16W	5%	RMC1/16S 101JTH	J24189013		1-	A	
R 9150	CHIP RES.	100	1/16W	5%	RMC1/16S 101JTH	J24189013		1-	A	
R 9151	CHIP RES.	100	1/16W	5%	RMC1/16S 101JTH	J24189013		1-	A	
R 9152	CHIP RES.	100	1/16W	5%	RMC1/16S 101JTH	J24189013		1-	A	
R 9153	CHIP RES.	100	1/16W	5%	RMC1/16S 101JTH	J24189013		1-	A	
R 9154	CHIP RES.	22k	1/16W	5%	RMC1/16S 223JTH	J24189041		1-	A	
R 9155	CHIP RES.	100k	1/16W	5%	RMC1/16S 104JTH	J24189049		1-	A	
R 9156	CHIP RES.	4.7k	1/16W	5%	RMC1/16S 472JTH	J24189033		1-	A	
R 9157	CHIP RES.	22k	1/16W	5%	RMC1/16S 223JTH	J24189041		1-	A	
R 9158	CHIP RES.	22k	1/16W	5%	RMC1/16S 223JTH	J24189041		1-	A	
R 9159	CHIP RES.	100k	1/16W	5%	RMC1/16S 104JTH	J24189049		1-	A	
R 9160	CHIP RES.	6.8k	1/16W	5%	RMC1/16S 682JTH	J24189035		1-	A	
R 9161	CHIP RES.	4.7k	1/16W	5%	RMC1/16S 472JTH	J24189033		1-	A	
R 9162	CHIP RES.	4.7k	1/16W	5%	RMC1/16S 472JTH	J24189033		1-	A	
R 9163	CHIP RES.	6.8k	1/16W	5%	RMC1/16S 682JTH	J24189035		1-	A	
R 9164	CHIP RES.	4.7k	1/16W	5%	RMC1/16S 472JTH	J24189033		1-	A	
R 9165	CHIP RES.	47	1/16W	5%	RMC1/16S 470JTH	J24189009		1-	A	
R 9166	CHIP RES.	470	1/16W	5%	RMC1/16S 471JTH	J24189021		1-	A	
R 9167	CHIP RES.	470	1/16W	5%	RMC1/16S 471JTH	J24189021		1-	A	
R 9168	CHIP RES.	470	1/16W	5%	RMC1/16S 471JTH	J24189021		1-	A	
R 9169	CHIP RES.	22k	1/16W	1%	RMC1/16SK223FTH	J24189492		1-	A	
R 9170	CHIP RES.	1k	1/16W	5%	RMC1/16S 102JTH	J24189025		1-	A	
R 9171	CHIP RES.	47	1/16W	5%	RMC1/16S 470JTH	J24189009		1-	A	
R 9173	CHIP RES.	47k	1/16W	1%	RMC1/16SK473FTH	J24189525		1-	A	

AF Unit Parts List

REF	DESCRIPTION	VALUE	V/W	TOL.	MFR'S DESIG	YAESU P/N	VERS.	LOT	SIDE	LAY ADR
R 9174	CHIP RES.	22k	1/16W	5%	RMC1/16S 223JTH	J24189041		1-	A	
R 9175	CHIP RES.	47k	1/16W	1%	RMC1/16SK473FTH	J24189525		1-	A	
R 9176	CHIP RES.	3.3k	1/16W	1%	RMC1/16SK332FTH	J24189518		1-	A	
R 9177	CHIP RES.	4.7k	1/16W	1%	RMC1/16SK472FTH	J24189488		1-	A	
R 9179	CHIP RES.	6.8k	1/16W	5%	RMC1/16S 682JTH	J24189035		1-	A	
R 9180	CHIP RES.	2.2k	1/16W	5%	RMC1/16S 222JTH	J24189029		1-	A	
R 9181	CHIP RES.	47k	1/16W	5%	RMC1/16S 473JTH	J24189045		1-	A	
R 9183	CHIP RES.	10k	1/16W	5%	RMC1/16S 103JTH	J24189037		1-	A	
R 9184	CHIP RES.	4.7k	1/16W	5%	RMC1/16S 472JTH	J24189033		1-	A	
R 9185	CHIP RES.	100	1/16W	5%	RMC1/16S 101JTH	J24189013		1-	A	
R 9186	CHIP RES.	4.7k	1/16W	5%	RMC1/16S 472JTH	J24189033		1-	A	
R 9187	CHIP RES.	1.5k	1/16W	5%	RMC1/16S 152JTH	J24189027		1-	A	
R 9188	CHIP RES.	47	1/16W	5%	RMC1/16S 470JTH	J24189009		1-	A	
R 9189	CHIP RES.	100k	1/16W	5%	RMC1/16S 104JTH	J24189049		1-	A	
R 9190	CHIP RES.	100k	1/16W	5%	RMC1/16S 104JTH	J24189049		1-	A	
R 9191	CHIP RES.	47k	1/16W	5%	RMC1/16S 473JTH	J24189045		1-	A	
R 9192	CHIP RES.	47k	1/16W	5%	RMC1/16S 473JTH	J24189045		1-	A	
R 9193	CHIP RES.	47k	1/16W	5%	RMC1/16S 473JTH	J24189045		1-	A	
R 9194	CHIP RES.	100k	1/16W	5%	RMC1/16S 104JTH	J24189049		1-	A	
R 9195	CHIP RES.	47k	1/16W	5%	RMC1/16S 473JTH	J24189045		1-	A	
R 9196	CHIP RES.	100k	1/16W	5%	RMC1/16S 104JTH	J24189049		1-	A	
R 9197	CHIP RES.	100k	1/16W	5%	RMC1/16S 104JTH	J24189049		1-	A	
R 9198	CHIP RES.	4.7k	1/16W	5%	RMC1/16S 472JTH	J24189033		1-	A	
R 9199	CHIP RES.	100k	1/16W	5%	RMC1/16S 104JTH	J24189049		1-	A	
R 9201	CHIP RES.	47	1/16W	5%	RMC1/16S 470JTH	J24189009		1-	A	
R 9207	CHIP RES.	4.7k	1/16W	5%	RMC1/16S 472JTH	J24189033		1-	A	
R 9208	CHIP RES.	1M	1/16W	5%	RMC1/16S 105JTH	J24189061		1-	A	
R 9209	CHIP RES.	0	1/16W	5%	RMC1/16S JPTH	J24189070		1-	A	
R 9210	CHIP RES.	22	1/16W	5%	RMC1/16S 220JTH	J24189005		1-	A	
R 9211	CHIP RES.	22	1/16W	5%	RMC1/16S 220JTH	J24189005		1-	A	
R 9212	CHIP RES.	1M	1/16W	5%	RMC1/16S 105JTH	J24189061		1-	A	
R 9214	CHIP RES.	100k	1/16W	5%	RMC1/16S 104JTH	J24189049		1-	A	
R 9215	CHIP RES.	4.7k	1/16W	5%	RMC1/16S 472JTH	J24189033		1-	A	
R 9216	CHIP RES.	4.7k	1/16W	5%	RMC1/16S 472JTH	J24189033		1-	A	
R 9217	CHIP RES.	100k	1/16W	5%	RMC1/16S 104JTH	J24189049		1-	A	
R 9218	CHIP RES.	12k	1/16W	5%	RMC1/16S 123JTH	J24189038		1-	A	
R 9219	CHIP RES.	10k	1/16W	5%	RMC1/16S 103JTH	J24189037		1-	A	
R 9220	CHIP RES.	1	1W	5%	RMC1 1R0JTE	J24305010		1-	A	
R 9221	CHIP RES.	22k	1/16W	5%	RMC1/16S 223JTH	J24189041		1-	A	
R 9222	CHIP RES.	10k	1/16W	5%	RMC1/16S 103JTH	J24189037		1-	A	
R 9223	CHIP RES.	10k	1/16W	5%	RMC1/16S 103JTH	J24189037		1-	A	
R 9224	CHIP RES.	10k	1/16W	5%	RMC1/16S 103JTH	J24189037		1-	A	
R 9225	CHIP RES.	10k	1/16W	5%	RMC1/16S 103JTH	J24189037		1-	A	
R 9226	CHIP RES.	12k	1/16W	5%	RMC1/16S 123JTH	J24189038		1-	A	
R 9227	CHIP RES.	22k	1/16W	5%	RMC1/16S 223JTH	J24189041		1-	A	
R 9228	CHIP RES.	22k	1/16W	5%	RMC1/16S 223JTH	J24189041		1-	A	
R 9229	CHIP RES.	4.7k	1/16W	5%	RMC1/16S 472JTH	J24189033		1-	A	
R 9230	CHIP RES.	10k	1/16W	5%	RMC1/16S 103JTH	J24189037		1-	A	
R 9231	CHIP RES.	22k	1/16W	5%	RMC1/16S 223JTH	J24189041		1-	A	
R 9232	CHIP RES.	47k	1/16W	5%	RMC1/16S 473JTH	J24189045		1-	A	
R 9233	CHIP RES.	22k	1/16W	5%	RMC1/16S 223JTH	J24189041		1-	A	
R 9234	CHIP RES.	4.7k	1/16W	5%	RMC1/16S 472JTH	J24189033		1-	A	
R 9235	CHIP RES.	3.3k	1/16W	5%	RMC1/16S 332JTH	J24189031		1-	A	
R 9236	CHIP RES.	39k	1/16W	5%	RMC1/16S 393JTH	J24189044		1-	A	
R 9238	CHIP RES.	22k	1/16W	5%	RMC1/16S 223JTH	J24189041		1-	A	
R 9239	CHIP RES.	22k	1/16W	5%	RMC1/16S 223JTH	J24189041		1-	A	
R 9240	CHIP RES.	39k	1/16W	5%	RMC1/16S 393JTH	J24189044		1-	A	
R 9241	CHIP RES.	6.8k	1/16W	5%	RMC1/16S 682JTH	J24189035		1-	A	
R 9242	CHIP RES.	4.7k	1/16W	5%	RMC1/16S 472JTH	J24189033		1-	A	
R 9243	CHIP RES.	100k	1/16W	5%	RMC1/16S 104JTH	J24189049		1-	A	
R 9244	CHIP RES.	10k	1/16W	5%	RMC1/16S 103JTH	J24189037		1-	A	
R 9245	CHIP RES.	2.2M	1/16W	5%	RMC1/16S 225JTH	J24189065		1-	A	
R 9247	CHIP RES.	10k	1/16W	5%	RMC1/16S 103JTH	J24189037		1-	A	
R 9248	CHIP RES.	10k	1/16W	5%	RMC1/16S 103JTH	J24189037		1-	A	
R 9249	CHIP RES.	2.2M	1/16W	5%	RMC1/16S 225JTH	J24189065		1-	A	
R 9251	CHIP RES.	100k	1/16W	5%	RMC1/16S 104JTH	J24189049		1-	A	
R 9252	CHIP RES.	10k	1/16W	5%	RMC1/16S 103JTH	J24189037		1-	A	
R 9253	CHIP RES.	1.8k	1/16W	5%	RMC1/16S 182JTH	J24189028		1-	A	
R 9254	CHIP RES.	6.8k	1/16W	5%	RMC1/16S 682JTH	J24189035		1-	A	
R 9255	CHIP RES.	6.8k	1/16W	5%	RMC1/16S 682JTH	J24189035		1-	A	
R 9256	CHIP RES.	4.7k	1/16W	5%	RMC1/16S 472JTH	J24189033		1-	A	
R 9258	CHIP RES.	4.7k	1/16W	5%	RMC1/16S 472JTH	J24189033		1-	A	
R 9259	CHIP RES.	10k	1/16W	5%	RMC1/16S 103JTH	J24189037		1-	A	
R 9263	CHIP RES.	0	1/10W	5%	RMC1/10T 000J	J24205000		1-	A	
R 9264	CHIP RES.	0	1/10W	5%	RMC1/10T 000J	J24205000		1-	A	

AF Unit Parts List

REF	DESCRIPTION	VALUE	V/W	TOL.	MFR'S DESIG	YAESU P/N	VERS.	LOT	SIDE	LAY ADR
R 9265	CHIP RES.	1	1W	5%	RMC1 1R0JTE	J24305010		1-	A	
R 9266	CHIP RES.	0	1/10W	5%	RMC1/10T 000J	J24205000		1-	A	
R 9267	CHIP RES.	4.7k	1/16W	5%	RMC1/16S 472JTH	J24189033		1-	A	
R 9269	CHIP RES.	47	1/16W	5%	RMC1/16S 470JTH	J24189009		1-	A	
R 9270	CHIP RES.	6.8k	1/16W	5%	RMC1/16S 682JTH	J24189035		1-	A	
R 9271	CHIP RES.	22k	1/16W	5%	RMC1/16S 223JTH	J24189041		1-	A	
R 9273	CHIP RES.	10k	1/16W	1%	RMC1/16SK103FTH	J24189489		1-	A	
R 9274	CHIP RES.	22k	1/16W	5%	RMC1/16S 223JTH	J24189041		1-	A	
R 9275	CHIP RES.	3.3k	1/16W	1%	RMC1/16SK332FTH	J24189518		1-	A	
R 9276	CHIP RES.	1k	1/16W	5%	RMC1/16S 102JTH	J24189025		1-	A	
R 9283	CHIP RES.	22k	1/16W	5%	RMC1/16S 223JTH	J24189041		1-	A	
R 9285	CHIP RES.	1k	1/16W	5%	RMC1/16S 102JTH	J24189025		1-	A	
R 9291	CHIP RES.	47	1/16W	5%	RMC1/16S 470JTH	J24189009		1-	A	
R 9292	CHIP RES.	47	1/16W	5%	RMC1/16S 470JTH	J24189009		1-	A	
R 9293	CHIP RES.	100k	1/16W	5%	RMC1/16S 104JTH	J24189049		1-	A	
R 9294	CHIP RES.	1.2k	1/16W	5%	RMC1/16S 122JTH	J24189026		1-	A	
R 9295	CHIP RES.	8.2k	1/16W	5%	RMC1/16S 822JTH	J24189036		1-	A	
R 9296	CHIP RES.	4.7k	1/16W	5%	RMC1/16S 472JTH	J24189033		1-	A	
R 9297	CHIP RES.	10k	1/16W	5%	RMC1/16S 103JTH	J24189037		1-	A	
R 9301	CHIP RES.	10k	1/16W	5%	RMC1/16S 103JTH	J24189037		1-	A	
R 9303	CHIP RES.	10k	1/16W	5%	RMC1/16S 103JTH	J24189037		1-	A	
R 9307	CHIP RES.	470	1W	5%	RMC1 471JTE	J24305471		1-	A	
R 9308	CHIP RES.	470	1/16W	5%	RMC1/16S 471JTH	J24189021		1-	A	
R 9309	CHIP RES.	4.7k	1/16W	5%	RMC1/16S 472JTH	J24189033		1-	A	
R 9310	CHIP RES.	47	1/16W	5%	RMC1/16S 470JTH	J24189009		1-	A	
R 9311	CHIP RES.	0	1/10W	5%	RMC1/10T 000J	J24205000		1-	A	
R 9312	CHIP RES.	10k	1/16W	5%	RMC1/16S 103JTH	J24189037		1-	A	
R 9313	CHIP RES.	10k	1/16W	5%	RMC1/16S 103JTH	J24189037		1-	A	
R 9314	CHIP RES.	10k	1/16W	5%	RMC1/16S 103JTH	J24189037		1-	A	
R 9315	CHIP RES.	4.7k	1/16W	5%	RMC1/16S 472JTH	J24189033		1-	A	
R 9316	CHIP RES.	3.3k	1/16W	5%	RMC1/16S 332JTH	J24189031		1-	A	
R 9317	CHIP RES.	4.7k	1/16W	5%	RMC1/16S 472JTH	J24189033		1-	A	
R 9318	CHIP RES.	2.2k	1/16W	5%	RMC1/16S 222JTH	J24189029		1-	A	
R 9319	CHIP RES.	2.2k	1/16W	5%	RMC1/16S 222JTH	J24189029		1-	A	
R 9320	CHIP RES.	1M	1/16W	5%	RMC1/16S 105JTH	J24189061		1-	A	
R 9321	CHIP RES.	2.2k	1/16W	5%	RMC1/16S 222JTH	J24189029		1-	A	
R 9325	CHIP RES.	4.7k	1/16W	5%	RMC1/16S 472JTH	J24189033		1-	A	
R 9326	CHIP RES.	10k	1/16W	5%	RMC1/16S 103JTH	J24189037		1-	A	
R 9327	CHIP RES.	4.7k	1/16W	5%	RMC1/16S 472JTH	J24189033		1-	A	
R 9330	CHIP RES.	100k	1/16W	5%	RMC1/16S 104JTH	J24189049		1-	A	
R 9331	CHIP RES.	100k	1/16W	5%	RMC1/16S 104JTH	J24189049		1-	A	
R 9332	CHIP RES.	47	1/16W	5%	RMC1/16S 470JTH	J24189009		1-	A	
R 9333	CHIP RES.	47k	1/16W	5%	RMC1/16S 473JTH	J24189045		1-	A	
R 9334	CHIP RES.	330	1/4W	5%	RMC1/4 331JATP	J24245331		1-	A	
R 9335	CHIP RES.	3.3k	1/16W	5%	RMC1/16S 332JTH	J24189031		1-	A	
R 9336	CHIP RES.	10k	1/16W	5%	RMC1/16S 103JTH	J24189037		1-	A	
R 9337	CHIP RES.	2.2k	1/16W	5%	RMC1/16S 222JTH	J24189029		1-	A	
R 9338	CHIP RES.	47k	1/16W	5%	RMC1/16S 473JTH	J24189045		1-	A	
R 9339	CHIP RES.	1k	1/16W	5%	RMC1/16S 102JTH	J24189025		1-	A	
R 9340	CHIP RES.	47k	1/16W	5%	RMC1/16S 473JTH	J24189045		1-	A	
R 9341	CHIP RES.	47k	1/16W	5%	RMC1/16S 473JTH	J24189045		1-	A	
R 9342	CHIP RES.	330k	1/16W	5%	RMC1/16S 334JTH	J24189055		1-	A	
R 9343	CHIP RES.	470k	1/16W	5%	RMC1/16S 474JTH	J24189057		1-	A	
R 9344	CHIP RES.	10k	1/16W	5%	RMC1/16S 103JTH	J24189037		1-	A	
R 9345	CHIP RES.	10k	1/16W	5%	RMC1/16S 103JTH	J24189037		1-	A	
R 9346	CHIP RES.	10k	1/16W	5%	RMC1/16S 103JTH	J24189037		1-	A	
R 9347	CHIP RES.	68k	1/16W	5%	RMC1/16S 683JTH	J24189047		1-	A	
R 9348	CHIP RES.	10k	1/16W	5%	RMC1/16S 103JTH	J24189037		1-	A	
R 9349	CHIP RES.	47	1/16W	5%	RMC1/16S 470JTH	J24189009		1-	A	
R 9350	CHIP RES.	47	1/16W	5%	RMC1/16S 470JTH	J24189009		1-	A	
R 9351	CHIP RES.	47k	1/16W	5%	RMC1/16S 473JTH	J24189045		1-	A	
R 9352	CHIP RES.	470	1/16W	5%	RMC1/16S 471JTH	J24189021		1-	A	
R 9353	CHIP RES.	4.7k	1/16W	5%	RMC1/16S 472JTH	J24189033		1-	A	
R 9354	CHIP RES.	4.7k	1/16W	5%	RMC1/16S 472JTH	J24189033		1-	A	
R 9355	CHIP RES.	27k	1/16W	5%	RMC1/16S 273JTH	J24189042		1-	A	
R 9356	CHIP RES.	47	1/16W	5%	RMC1/16S 470JTH	J24189009		1-	A	
R 9357	CHIP RES.	27k	1/16W	5%	RMC1/16S 273JTH	J24189042		1-	A	
R 9358	CHIP RES.	100	1/16W	5%	RMC1/16S 101JTH	J24189013		1-	A	
R 9359	CHIP RES.	10k	1/16W	5%	RMC1/16S 103JTH	J24189037		1-	A	
R 9360	CHIP RES.	4.7k	1/16W	5%	RMC1/16S 472JTH	J24189033		1-	A	
R 9361	CHIP RES.	4.7k	1/16W	5%	RMC1/16S 472JTH	J24189033		1-	A	
R 9362	CHIP RES.	470	1/16W	5%	RMC1/16S 471JTH	J24189021		1-	A	
R 9363	CHIP RES.	47	1/16W	5%	RMC1/16S 470JTH	J24189009		1-	A	
R 9364	CHIP RES.	330	1/4W	5%	RMC1/4 331JATP	J24245331		1-	A	
R 9365	CHIP RES.	10k	1/16W	5%	RMC1/16S 103JTH	J24189037		1-	A	

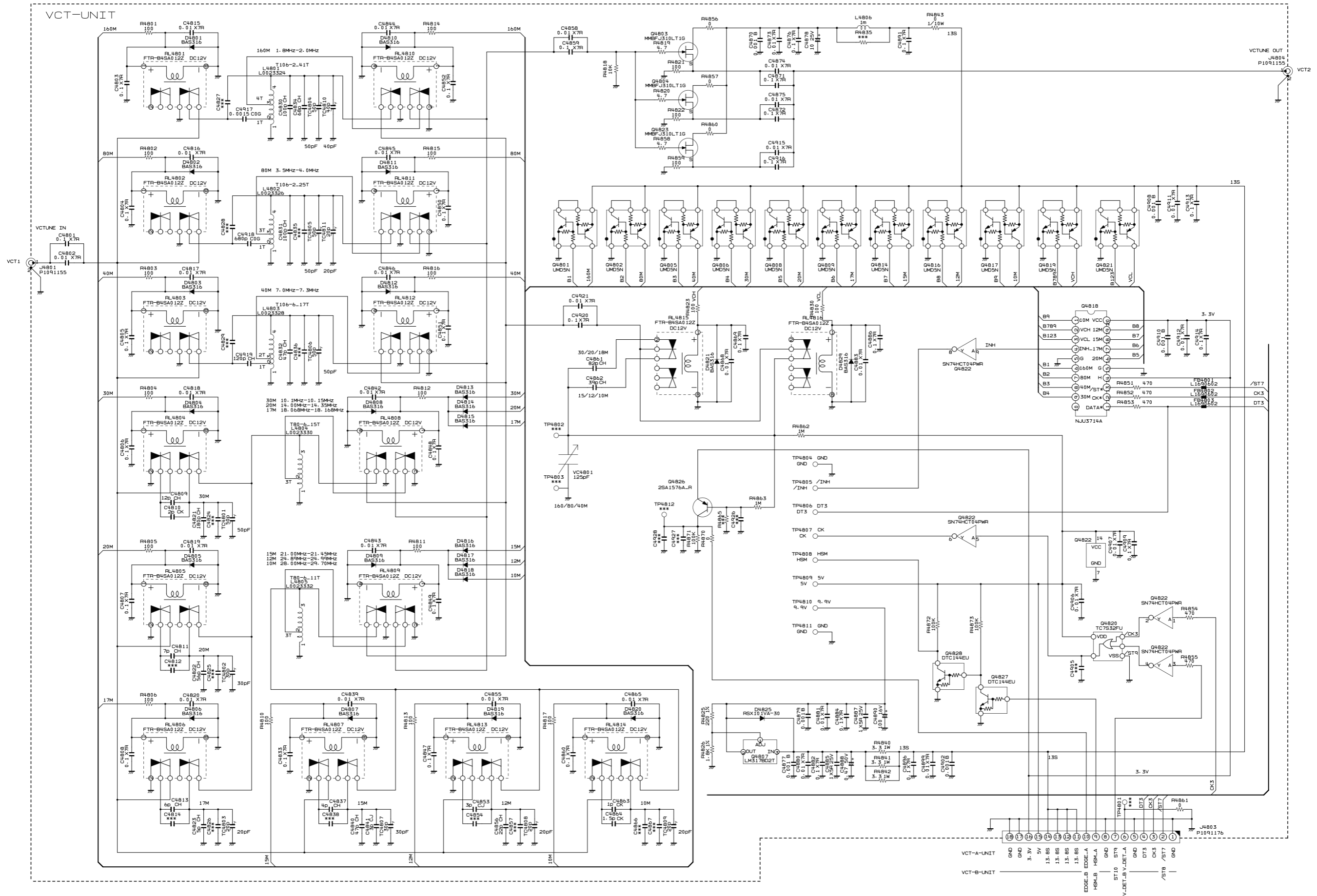
AF Unit Parts List

REF	DESCRIPTION	VALUE	V/W	TOL.	MFR'S DESIG	YAESU P/N	VERS.	LOT	SIDE	LAY ADR
R 9366	CHIP RES.	100k	1/16W	5%	RMC1/16S 104JTH	J24189049		1-	A	
R 9367	CHIP RES.	47k	1/16W	5%	RMC1/16S 473JTH	J24189045		1-	A	
R 9368	CHIP RES.	47k	1/16W	5%	RMC1/16S 473JTH	J24189045		1-	A	
R 9369	CHIP RES.	22k	1/16W	5%	RMC1/16S 223JTH	J24189041		1-	A	
R 9370	CHIP RES.	10k	1/16W	5%	RMC1/16S 103JTH	J24189037		1-	A	
R 9371	CHIP RES.	3.3k	1/16W	5%	RMC1/16S 332JTH	J24189031		1-	A	
R 9372	CHIP RES.	3.3k	1/16W	5%	RMC1/16S 332JTH	J24189031		1-	A	
R 9373	CHIP RES.	4.7k	1/16W	5%	RMC1/16S 472JTH	J24189033		1-	A	
R 9374	CHIP RES.	330k	1/16W	5%	RMC1/16S 334JTH	J24189055		1-	A	
R 9375	CHIP RES.	220k	1/16W	5%	RMC1/16S 224JTH	J24189053		1-	A	
R 9376	CHIP RES.	100k	1/16W	5%	RMC1/16S 104JTH	J24189049		1-	A	
R 9377	CHIP RES.	100k	1/16W	5%	RMC1/16S 104JTH	J24189049		1-	A	
R 9378	CHIP RES.	33k	1/16W	5%	RMC1/16S 333JTH	J24189043		1-	A	
R 9379	CHIP RES.	1.8k	1/16W	5%	RMC1/16S 182JTH	J24189028		1-	A	
R 9380	CHIP RES.	10k	1/16W	5%	RMC1/16S 103JTH	J24189037		1-	A	
R 9381	CHIP RES.	470	1/16W	5%	RMC1/16S 471JTH	J24189021		1-	A	
R 9382	CHIP RES.	470	1/16W	5%	RMC1/16S 471JTH	J24189021		1-	A	
R 9383	CHIP RES.	470	1/16W	5%	RMC1/16S 471JTH	J24189021		1-	A	
R 9384	CHIP RES.	470	1/16W	5%	RMC1/16S 471JTH	J24189021		1-	A	
R 9385	CHIP RES.	470	1/16W	5%	RMC1/16S 471JTH	J24189021		1-	A	
R 9386	CHIP RES.	47	1/16W	5%	RMC1/16S 470JTH	J24189009		1-	A	
R 9387	CHIP RES.	330k	1/16W	5%	RMC1/16S 334JTH	J24189055		1-	A	
R 9388	CHIP RES.	10k	1/16W	5%	RMC1/16S 103JTH	J24189037		1-	A	
R 9389	CHIP RES.	10k	1/16W	5%	RMC1/16S 103JTH	J24189037		1-	A	
R 9390	CHIP RES.	8.2k	1/16W	5%	RMC1/16S 822JTH	J24189036		1-	A	
R 9391	CHIP RES.	3.3k	1/16W	1%	RMC1/16SK332FTH	J24189518		1-	A	
R 9392	CHIP RES.	330k	1/16W	5%	RMC1/16S 334JTH	J24189055		1-	A	
R 9393	CHIP RES.	22k	1/16W	5%	RMC1/16S 223JTH	J24189041		1-	A	
R 9394	CHIP RES.	22k	1/16W	5%	RMC1/16S 223JTH	J24189041		1-	A	
R 9395	CHIP RES.	470	1/16W	5%	RMC1/16S 471JTH	J24189021		1-	A	
R 9396	CHIP RES.	330	1/16W	5%	RMC1/16S 331JTH	J24189019		1-	A	
R 9397	CHIP RES.	330	1/16W	5%	RMC1/16S 331JTH	J24189019		1-	A	
R 9398	CHIP RES.	470	1/16W	5%	RMC1/16S 471JTH	J24189021		1-	A	
R 9399	CHIP RES.	47	1/16W	5%	RMC1/16S 470JTH	J24189009		1-	A	
R 9400	CHIP RES.	100k	1/16W	5%	RMC1/16S 104JTH	J24189049		1-	A	
R 9401	CHIP RES.	4.7	1/16W	5%	RMC1/16S 4R7JTH	J24189066		1-	A	
R 9402	CHIP RES.	330	1/16W	5%	RMC1/16S 331JTH	J24189019		1-	A	
R 9403	CHIP RES.	1k	1/16W	5%	RMC1/16S 102JTH	J24189025		1-	A	
R 9404	CHIP RES.	1k	1/16W	5%	RMC1/16S 102JTH	J24189025		1-	A	
R 9405	CHIP RES.	2.2k	1/16W	5%	RMC1/16S 222JTH	J24189029		1-	A	
R 9406	CHIP RES.	0	1/16W	5%	RMC1/16S JPTH	J24189070		1-	A	
R 9407	CHIP RES.	220	1/16W	5%	RMC1/16S 221JTH	J24189017		1-	A	
R 9408	CHIP RES.	100k	1/16W	5%	RMC1/16S 104JTH	J24189049		1-	A	
R 9409	CHIP RES.	22k	1/16W	5%	RMC1/16S 223JTH	J24189041		1-	A	
R 9410	CHIP RES.	22k	1/16W	5%	RMC1/16S 223JTH	J24189041		1-	A	
R 9411	CHIP RES.	22	1/16W	5%	RMC1/16S 220JTH	J24189005		1-	A	
R 9412	CHIP RES.	22	1/16W	5%	RMC1/16S 220JTH	J24189005		1-	A	
R 9413	CHIP RES.	2.2	1W	5%	RMC1 2R2JTE	J24305229		1-	A	
R 9416	CHIP RES.	220	1/2W	5%	RMC1/2 221JCTP	J24275221		1-	A	
R 9417	CHIP RES.	4.7	1/16W	5%	RMC1/16S 4R7JTH	J24189066		1-	A	
R 9418	CHIP RES.	2.2	1/10W	5%	RMC1/10T 2R2J	J24205229		1-	A	
R 9420	CHIP RES.	220	1/2W	5%	RMC1/2 221JCTP	J24275221		1-	A	
R 9421	CHIP RES.	4.7	1/16W	5%	RMC1/16S 4R7JTH	J24189066		1-	A	
R 9422	CHIP RES.	2.2	1/10W	5%	RMC1/10T 2R2J	J24205229		1-	A	
R 9424	CHIP RES.	47	1/16W	5%	RMC1/16S 470JTH	J24189009		1-	A	
R 9426	CHIP RES.	47	1/16W	5%	RMC1/16S 470JTH	J24189009		1-	A	
R 9427	CHIP RES.	150k	1/16W	5%	RMC1/16S 154JTH	J24189051		1-	A	
R 9430	CHIP RES.	330k	1/16W	5%	RMC1/16S 334JTH	J24189055		1-	A	
R 9431	CHIP RES.	1M	1/16W	5%	RMC1/16S 105JTH	J24189061		1-	A	
R 9432	CHIP RES.	1M	1/16W	5%	RMC1/16S 105JTH	J24189061		1-	A	
R 9433	CHIP RES.	470k	1/16W	5%	RMC1/16S 474JTH	J24189057		1-	A	
R 9434	CHIP RES.	470k	1/16W	5%	RMC1/16S 474JTH	J24189057		1-	A	
R 9435	CHIP RES.	2.2k	1/16W	5%	RMC1/16S 222JTH	J24189029		1-	A	
R 9436	CHIP RES.	2.2k	1/16W	5%	RMC1/16S 222JTH	J24189029		1-	A	
R 9437	CHIP RES.	4.7k	1/16W	5%	RMC1/16S 472JTH	J24189033		1-	A	
R 9438	CHIP RES.	4.7k	1/16W	5%	RMC1/16S 472JTH	J24189033		1-	A	
R 9439	CHIP RES.	47	1/16W	5%	RMC1/16S 470JTH	J24189009		1-	A	
R 9440	CHIP RES.	10k	1/16W	5%	RMC1/16S 103JTH	J24189037		1-	A	
R 9441	CHIP RES.	10k	1/16W	5%	RMC1/16S 103JTH	J24189037		1-	A	
R 9442	CHIP RES.	10k	1/16W	5%	RMC1/16S 103JTH	J24189037		1-	A	
R 9443	CHIP RES.	4.7k	1/16W	5%	RMC1/16S 472JTH	J24189033		1-	A	
R 9445	CHIP RES.	10k	1/16W	5%	RMC1/16S 103JTH	J24189037		1-	A	
R 9446	CHIP RES.	100	1/16W	5%	RMC1/16S 101JTH	J24189013		1-	A	
R 9447	CHIP RES.	0	1/16W	5%	RMC1/16S JPTH	J24189070		1-	A	
R 9448	CHIP RES.	0	1/16W	5%	RMC1/16S JPTH	J24189070		1-	A	

AF Unit Parts List

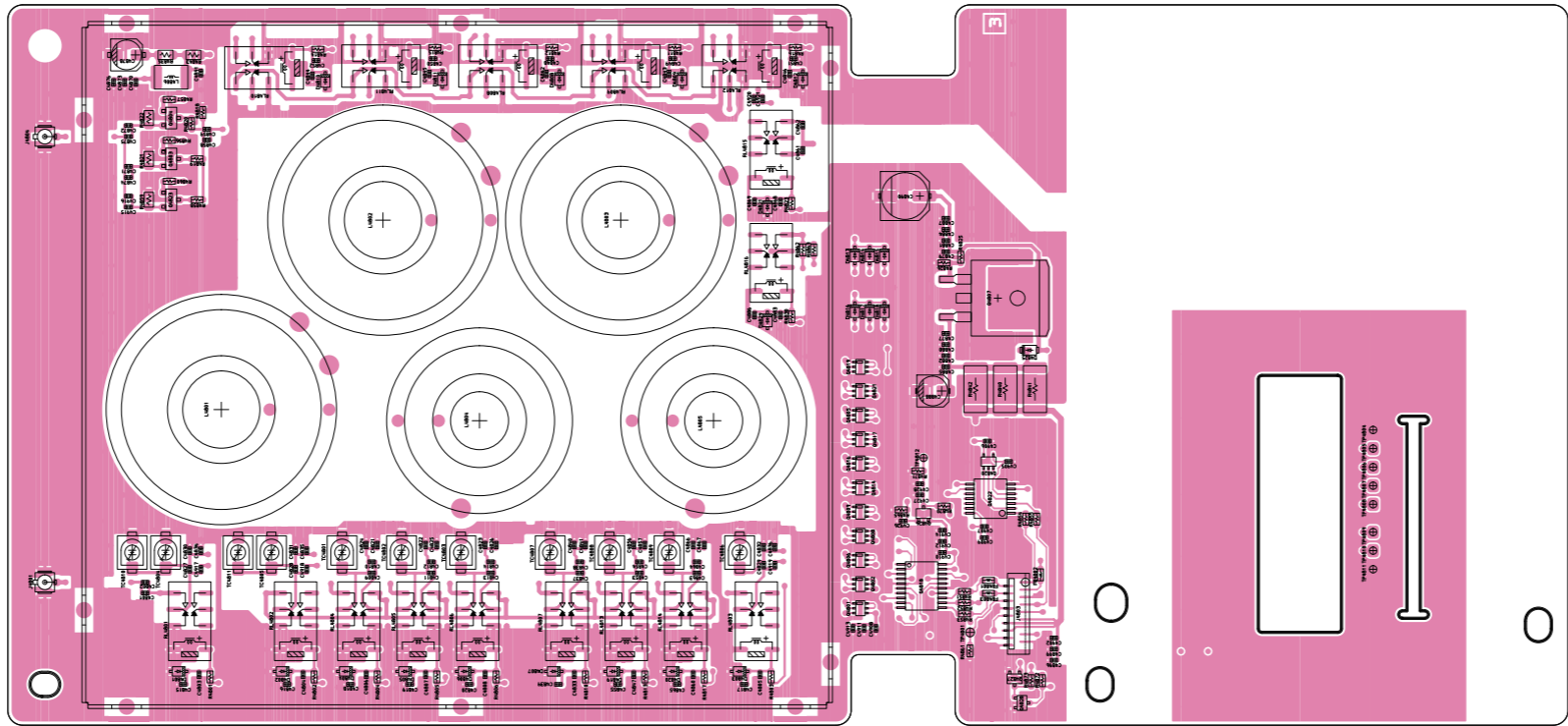
REF	DESCRIPTION	VALUE	V/W	TOL.	MFR'S DESIG	YAESU P/N	VERS.	LOT	SIDE	LAY ADR
R 9449	CHIP RES.	2.7k	1/16W	5%	RMC1/16S 272JTH	J24189030		1-	A	
R 9450	CHIP RES.	5.6k	1/16W	5%	RMC1/16S 562JTH	J24189034		1-	A	
R 9452	CHIP RES.	0	1/16W	5%	RMC1/16S JPTH	J24189070		1-	A	
R 9453	CHIP RES.	10k	1/16W	5%	RMC1/16S 103JTH	J24189037		1-	A	
R 9454	CHIP RES.	10k	1/16W	5%	RMC1/16S 103JTH	J24189037		1-	A	
R 9455	CHIP RES.	10k	1/16W	5%	RMC1/16S 103JTH	J24189037		1-	A	
R 9456	CHIP RES.	10k	1/16W	5%	RMC1/16S 103JTH	J24189037		1-	A	
R 9457	CHIP RES.	10k	1/16W	5%	RMC1/16S 103JTH	J24189037		1-	A	
R 9458	CHIP RES.	10k	1/16W	5%	RMC1/16S 103JTH	J24189037		1-	A	
R 9459	CHIP RES.	10k	1/16W	5%	RMC1/16S 103JTH	J24189037		1-	A	
R 9460	CHIP RES.	4.7k	1/16W	5%	RMC1/16S 472JTH	J24189033		1-	A	
R 9463	CHIP RES.	47	1/16W	5%	RMC1/16S 470JTH	J24189009		1-	A	
R 9464	CHIP RES.	4.7k	1/16W	5%	RMC1/16S 472JTH	J24189033		1-	A	
R 9465	CHIP RES.	4.7k	1/16W	5%	RMC1/16S 472JTH	J24189033		1-	A	
R 9466	CHIP RES.	3.3k	1/16W	5%	RMC1/16S 332JTH	J24189031		1-	A	
R 9467	CHIP RES.	3.3k	1/16W	5%	RMC1/16S 332JTH	J24189031		1-	A	
R 9469	CHIP RES.	4.7k	1/16W	5%	RMC1/16S 472JTH	J24189033		1-	A	
RL9001	RELAY		DC12V		FTR-B4SA012Z-B05	M1190209		1-	A	
RL9002	RELAY		DC12V		FTR-B4SA012Z-B05	M1190209		1-	A	
RL9003	RELAY		DC12V		FTR-B4SA012Z-B05	M1190209		1-	A	
TP9068	CHECK TERMINAL				RCTCTE	Q5000103		1-	A	
TP9069	CHECK TERMINAL				RCTCTE	Q5000103		1-	A	
VR9001	POT.	10k			VG039NSNXTB103	J51848103		1-	A	
X 9001	XTAL DSX321G	24MHz			DSX321G 24.000MHZ	H0103444		1-	A	
X 9002	XTAL DSX321G	12MHz			DSX321G 12.000MHZ	H0103442		1-	A	
	HEAT SINK				SP141K	S5000229		1-		

VCT Unit Circuit Diagram

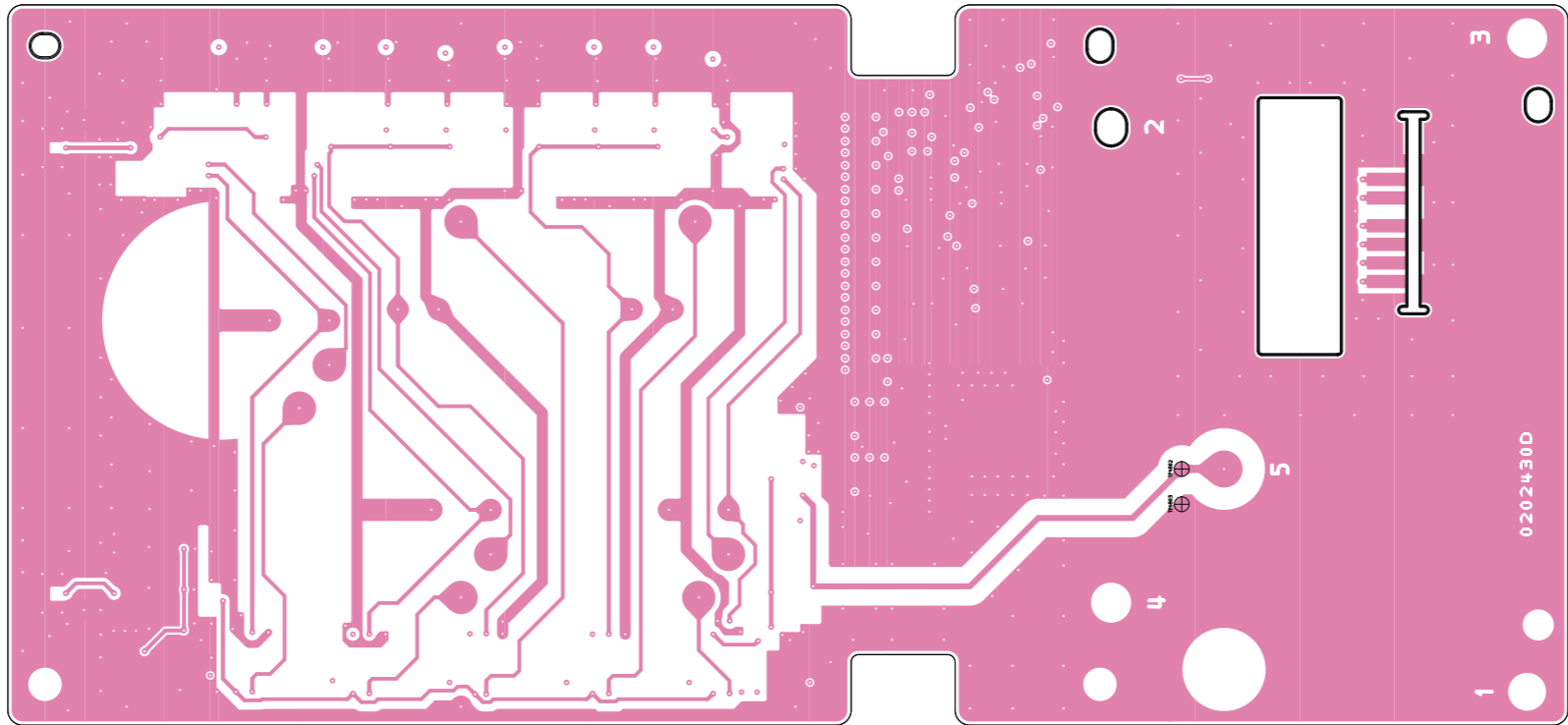


VCT-1

FTDX101MP/D Technical Supplement



side A



side B

VCT Unit Parts List

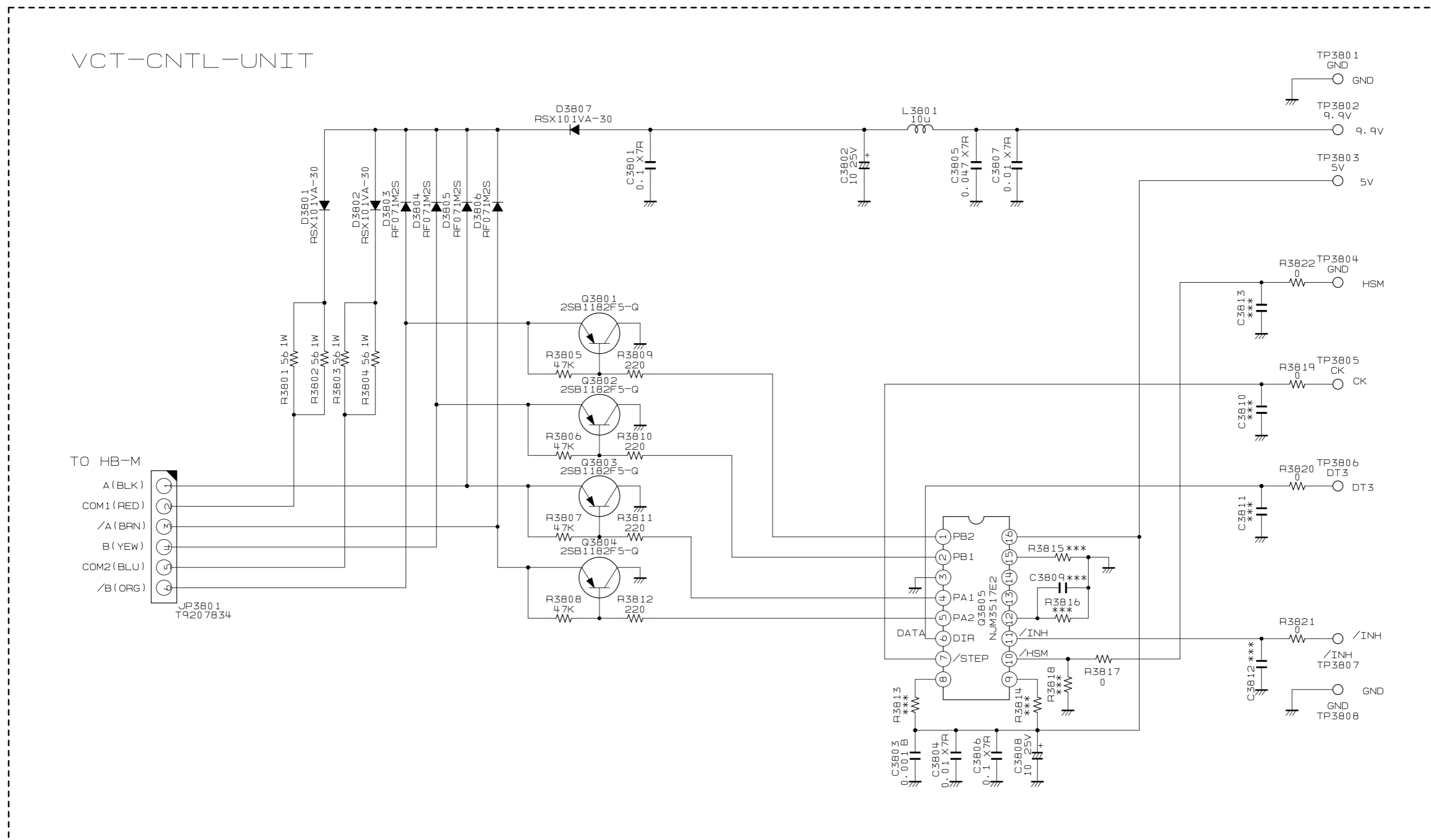
REF	DESCRIPTION	VALUE	V/W	TOL.	MFR'S DESIG	YAESU P/N	VERS.	LOT	SIDE	LAY ADR
C 4801	CHIP CAP.	0.1uF	50V	X7R	GRM155R71H104KE14D	K22178872		1-	A	
C 4802	CHIP CAP.	0.01uF	50V	X7R	GRM155R71H103KA88D	K22178848		1-	A	
C 4803	CHIP CAP.	0.1uF	50V	X7R	GRM155R71H104KE14D	K22178872		1-	A	
C 4804	CHIP CAP.	0.1uF	50V	X7R	GRM155R71H104KE14D	K22178872		1-	A	
C 4805	CHIP CAP.	0.1uF	50V	X7R	GRM155R71H104KE14D	K22178872		1-	A	
C 4806	CHIP CAP.	0.1uF	50V	X7R	GRM155R71H104KE14D	K22178872		1-	A	
C 4807	CHIP CAP.	0.1uF	50V	X7R	GRM155R71H104KE14D	K22178872		1-	A	
C 4808	CHIP CAP.	0.1uF	50V	X7R	GRM155R71H104KE14D	K22178872		1-	A	
C 4809	CHIP CAP.	12pF	50V	CH	GRM1552C1H120JA01D	K22178214		1-	A	
C 4810	CHIP CAP.	2pF	50V	CK	GRM1554C1H2R0CA01D	K22178204		1-	A	
C 4811	CHIP CAP.	7pF	50V	CH	GRM1552C1H7R0BA01D	K22178294		1-	A	
C 4813	CHIP CAP.	6pF	50V	CH	GRM1552C1H6R0BA01D	K22178293		1-	A	
C 4815	CHIP CAP.	0.01uF	50V	X7R	GRM155R71H103KA88D	K22178848		1-	A	
C 4816	CHIP CAP.	0.01uF	50V	X7R	GRM155R71H103KA88D	K22178848		1-	A	
C 4817	CHIP CAP.	0.01uF	50V	X7R	GRM155R71H103KA88D	K22178848		1-	A	
C 4818	CHIP CAP.	0.01uF	50V	X7R	GRM155R71H103KA88D	K22178848		1-	A	
C 4819	CHIP CAP.	0.01uF	50V	X7R	GRM155R71H103KA88D	K22178848		1-	A	
C 4820	CHIP CAP.	0.01uF	50V	X7R	GRM155R71H103KA88D	K22178848		1-	A	
C 4821	CHIP CAP.	180pF	50V	CH	GRM1552C1H181JA01D	K22179711		1-	A	
C 4822	CHIP CAP.	56pF	50V	CH	GRM1552C1H560GA01D	K22179704		1-	A	
C 4823	CHIP CAP.	5pF	50V	CH	GRM1552C1H5R0BA01D	K22178292		1-	A	
C 4830	CHIP CAP.	100pF	50V	CH	GRM1552C1H101JA01D	K22178236		1-	A	
C 4831	CHIP CAP.	100pF	50V	CH	GRM1552C1H101JA01D	K22178236		1-	A	
C 4832	CHIP CAP.	47pF	50V	CH	GRM1552C1H470JA01D	K22178228		1-	A	
C 4833	CHIP CAP.	0.1uF	50V	X7R	GRM155R71H104KE14D	K22178872		1-	A	
C 4834	CHIP CAP.	68pF	50V	CH	GRM1552C1H680JA01D	K22178232		1-	A	
C 4837	CHIP CAP.	4pF	50V	CH	GRM1552C1H4R0BA01D	K22178291		1-	A	
C 4839	CHIP CAP.	0.01uF	50V	X7R	GRM155R71H103KA88D	K22178848		1-	A	
C 4840	CHIP CAP.	47pF	50V	CH	GRM1552C1H470JA01D	K22178228		1-	A	
C 4841	CHIP CAP.	3pF	50V	CJ	GRM1553C1H3R0BA01D	K22178290		1-	A	
C 4842	CHIP CAP.	0.01uF	50V	X7R	GRM155R71H103KA88D	K22178848		1-	A	
C 4843	CHIP CAP.	0.01uF	50V	X7R	GRM155R71H103KA88D	K22178848		1-	A	
C 4844	CHIP CAP.	0.01uF	50V	X7R	GRM155R71H103KA88D	K22178848		1-	A	
C 4845	CHIP CAP.	0.01uF	50V	X7R	GRM155R71H103KA88D	K22178848		1-	A	
C 4846	CHIP CAP.	0.01uF	50V	X7R	GRM155R71H103KA88D	K22178848		1-	A	
C 4847	CHIP CAP.	0.1uF	50V	X7R	GRM155R71H104KE14D	K22178872		1-	A	
C 4848	CHIP CAP.	0.1uF	50V	X7R	GRM155R71H104KE14D	K22178872		1-	A	
C 4849	CHIP CAP.	0.1uF	50V	X7R	GRM155R71H104KE14D	K22178872		1-	A	
C 4850	CHIP CAP.	0.1uF	50V	X7R	GRM155R71H104KE14D	K22178872		1-	A	
C 4851	CHIP CAP.	0.1uF	50V	X7R	GRM155R71H104KE14D	K22178872		1-	A	
C 4852	CHIP CAP.	0.1uF	50V	X7R	GRM155R71H104KE14D	K22178872		1-	A	
C 4853	CHIP CAP.	3pF	50V	CJ	GRM1553C1H3R0BA01D	K22178290		1-	A	
C 4855	CHIP CAP.	0.01uF	50V	X7R	GRM155R71H103KA88D	K22178848		1-	A	
C 4856	CHIP CAP.	22pF	50V	CH	GRM1552C1H220JA01D	K22178220		1-	A	
C 4858	CHIP CAP.	0.01uF	50V	X7R	GRM155R71H103KA88D	K22178848		1-	A	
C 4859	CHIP CAP.	0.1uF	50V	X7R	GRM155R71H104KE14D	K22178872		1-	A	
C 4860	CHIP CAP.	0.1uF	50V	X7R	GRM155R71H104KE14D	K22178872		1-	A	
C 4861	CHIP CAP.	82pF	50V	CH	GRM1552C1H820JA01D	K22178234		1-	A	
C 4862	CHIP CAP.	39pF	50V	CH	GRM1552C1H390JA01D	K22178226		1-	A	
C 4863	CHIP CAP.	1pF	50V	CK	GRM1554C1H1R0CA01D	K22178202		1-	A	
C 4864	CHIP CAP.	1.5pF	50V	CK	GRM1554C1H1R5CA01D	K22178203		1-	A	
C 4865	CHIP CAP.	0.01uF	50V	X7R	GRM155R71H103KA88D	K22178848		1-	A	
C 4868	CHIP CAP.	0.01uF	50V	X7R	GRM155R71H103KA88D	K22178848		1-	A	
C 4869	CHIP CAP.	0.1uF	50V	X7R	GRM155R71H104KE14D	K22178872		1-	A	
C 4870	CHIP CAP.	0.001uF	50V	B	GRM155B11H102KA01D	K22178809		1-	A	
C 4871	CHIP CAP.	0.1uF	50V	X7R	GRM155R71H104KE14D	K22178872		1-	A	
C 4872	CHIP CAP.	0.1uF	50V	X7R	GRM155R71H104KE14D	K22178872		1-	A	
C 4873	CHIP CAP.	0.01uF	50V	X7R	GRM155R71H103KA88D	K22178848		1-	A	
C 4874	CHIP CAP.	0.01uF	50V	X7R	GRM155R71H103KA88D	K22178848		1-	A	
C 4875	CHIP CAP.	0.01uF	50V	X7R	GRM155R71H103KA88D	K22178848		1-	A	
C 4876	CHIP CAP.	0.1uF	50V	X7R	GRM155R71H104KE14D	K22178872		1-	A	
C 4877	CHIP CAP.	0.001uF	50V	B	GRM155B11H102KA01D	K22178809		1-	A	
C 4878	AL.ELECTRO.CAP.	10uF	25V		EMVA250ADA100MD55G	K48140014		1-	A	
C 4879	CHIP CAP.	0.001uF	50V	B	GRM155B11H102KA01D	K22178809		1-	A	
C 4880	CHIP CAP.	0.01uF	50V	X7R	GRM155R71H103KA88D	K22178848		1-	A	
C 4881	CHIP CAP.	0.01uF	50V	X7R	GRM155R71H103KA88D	K22178848		1-	A	
C 4882	CHIP CAP.	0.1uF	50V	X7R	GRM155R71H104KE14D	K22178872		1-	A	
C 4883	CHIP CAP.	0.01uF	50V	X7R	GRM155R71H103KA88D	K22178848		1-	A	
C 4884	CHIP CAP.	0.1uF	50V	X7R	GRM155R71H104KE14D	K22178872		1-	A	
C 4885	CHIP CAP.	1uF	25V	X5R	GRM155R61E105KE11D	K22149010		1-	A	
C 4886	CHIP CAP.	0.1uF	50V	X7R	GRM155R71H104KE14D	K22178872		1-	A	
C 4887	CHIP CAP.	1uF	25V	X5R	GRM155R61E105KE11D	K22149010		1-	A	
C 4888	AL.ELECTRO.CAP.	0.47uF	50V		UZS1HR47MCL1GB	K48170034		1-	A	
C 4890	AL.ELECTRO.CAP.	100uF	16V		EEE1CA101WP	K48120012		1-	A	
C 4891	CHIP CAP.	0.1uF	50V	X7R	GRM155R71H104KE14D	K22178872		1-	A	

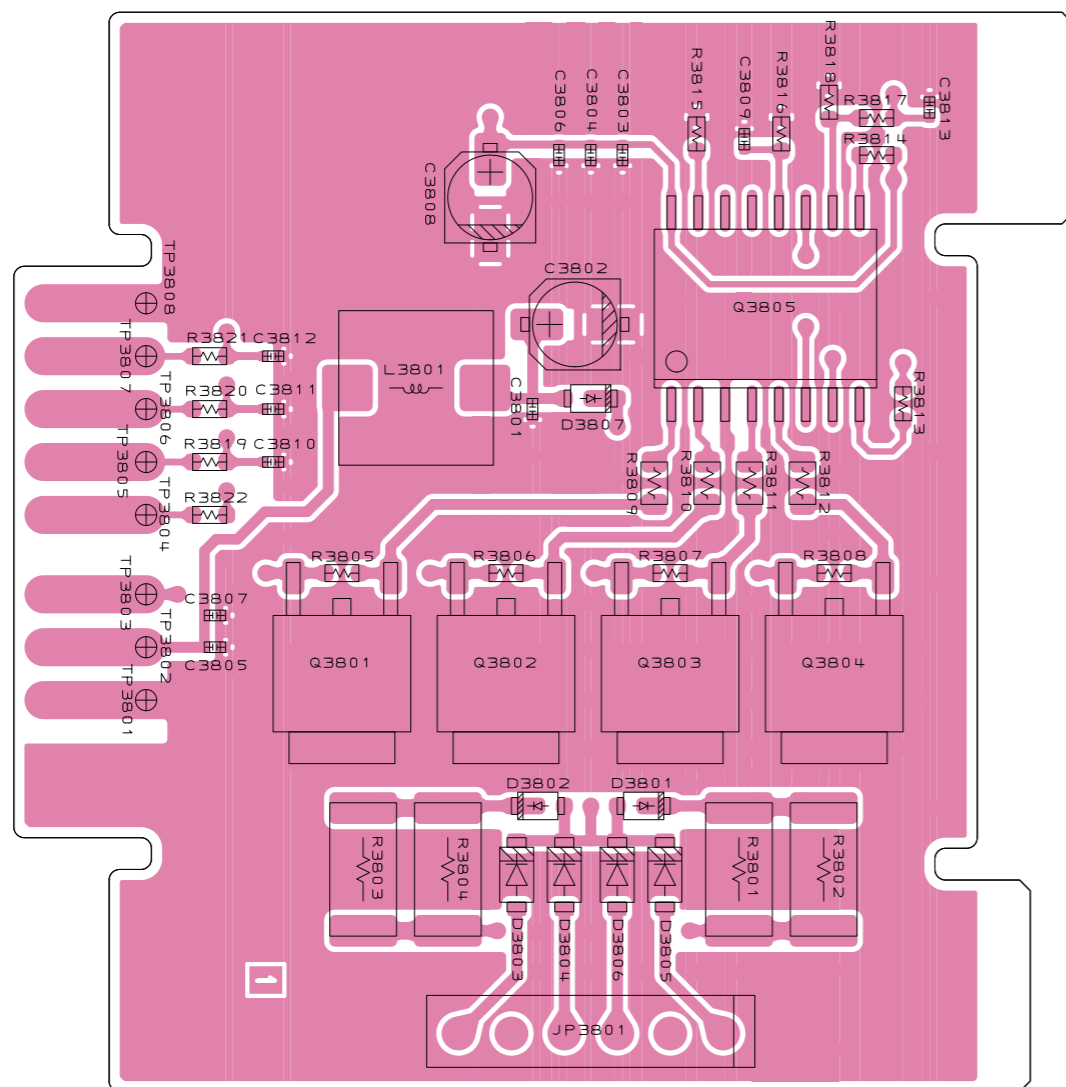
VCT Unit Parts List

REF	DESCRIPTION	VALUE	V/W	TOL.	MFR'S DESIG	YAESU P/N	VERS.	LOT	SIDE	LAY ADR
C 4896	CHIP CAP.	0.1uF	50V	X7R	GRM155R71H104KE14D	K22178872		1-	A	
C 4899	CHIP CAP.	0.01uF	50V	X7R	GRM155R71H103KA88D	K22178848		1-	A	
C 4902	CHIP CAP.	0.001uF	50V	B	GRM155B11H102KA01D	K22178809		1-	A	
C 4906	CHIP CAP.	0.01uF	50V	X7R	GRM155R71H103KA88D	K22178848		1-	A	
C 4907	CHIP CAP.	0.01uF	50V	X7R	GRM155R71H103KA88D	K22178848		1-	A	
C 4908	CHIP CAP.	0.001uF	50V	B	GRM155B11H102KA01D	K22178809		1-	A	
C 4909	CHIP CAP.	0.1uF	50V	X7R	GRM155R71H104KE14D	K22178872		1-	A	
C 4910	CHIP CAP.	0.001uF	50V	B	GRM155B11H102KA01D	K22178809		1-	A	
C 4911	CHIP CAP.	0.01uF	50V	X7R	GRM155R71H103KA88D	K22178848		1-	A	
C 4912	CHIP CAP.	0.01uF	50V	X7R	GRM155R71H103KA88D	K22178848		1-	A	
C 4913	CHIP CAP.	0.1uF	50V	X7R	GRM155R71H104KE14D	K22178872		1-	A	
C 4914	CHIP CAP.	0.1uF	50V	X7R	GRM155R71H104KE14D	K22178872		1-	A	
C 4915	CHIP CAP.	0.01uF	50V	X7R	GRM155R71H103KA88D	K22178848		1-	A	
C 4916	CHIP CAP.	0.1uF	50V	X7R	GRM155R71H104KE14D	K22178872		1-	A	
C 4917	CHIP CAP.	0.0015uF	50V	C0G	GRM1555C1H152JA01D	K22179760		1-	A	
C 4918	CHIP CAP.	680pF	50V	C0G	GRM1555C1H681JA01D	K22179752		1-	A	
C 4919	CHIP CAP.	120pF	50V	CH	GRM1552C1H121JA01D	K22178238		1-	A	
C 4920	CHIP CAP.	0.1uF	50V	X7R	GRM155R71H104KE14D	K22178872		1-	A	
C 4921	CHIP CAP.	0.01uF	50V	X7R	GRM155R71H103KA88D	K22178848		1-	A	
D 4801	DIODE				BAS316	G2070716		1-	A	
D 4802	DIODE				BAS316	G2070716		1-	A	
D 4803	DIODE				BAS316	G2070716		1-	A	
D 4804	DIODE				BAS316	G2070716		1-	A	
D 4805	DIODE				BAS316	G2070716		1-	A	
D 4806	DIODE				BAS316	G2070716		1-	A	
D 4807	DIODE				BAS316	G2070716		1-	A	
D 4808	DIODE				BAS316	G2070716		1-	A	
D 4809	DIODE				BAS316	G2070716		1-	A	
D 4810	DIODE				BAS316	G2070716		1-	A	
D 4811	DIODE				BAS316	G2070716		1-	A	
D 4812	DIODE				BAS316	G2070716		1-	A	
D 4813	DIODE				BAS316	G2070716		1-	A	
D 4814	DIODE				BAS316	G2070716		1-	A	
D 4815	DIODE				BAS316	G2070716		1-	A	
D 4816	DIODE				BAS316	G2070716		1-	A	
D 4817	DIODE				BAS316	G2070716		1-	A	
D 4818	DIODE				BAS316	G2070716		1-	A	
D 4819	DIODE				BAS316	G2070716		1-	A	
D 4820	DIODE				BAS316	G2070716		1-	A	
D 4821	DIODE				BAS316	G2070716		1-	A	
D 4825	DIODE				RSX101VA-30TR	G2070984		1-	A	
D 4829	DIODE				BAS316	G2070716		1-	A	
FB4801	FERRITE BEADS				BLM18BD182SN1D	L1690602		1-	A	
FB4802	FERRITE BEADS				BLM18BD182SN1D	L1690602		1-	A	
FB4803	FERRITE BEADS				BLM18BD182SN1D	L1690602		1-	A	
J 4801	CONNECTOR				U.FL-R-SMT(10)	P1091155		1-	A	
J 4803	CONNECTOR				18FLT-SM2-TB(LF)(SN)(M)	P1091176		1-	A	
J 4804	CONNECTOR				U.FL-R-SMT(10)	P1091155		1-	A	
L 4801	TOROIDAL COIL				160M	L0023324		1-	A	
L 4802	TOROIDAL COIL				80M	L0023326		1-	A	
L 4803	TOROIDAL COIL				40M	L0023328		1-	A	
L 4804	TOROIDAL COIL				30/20/17M	L0023330		1-	A	
L 4805	TOROIDAL COIL				15/12/10M	L0023332		1-	A	
L 4806	CHIP COIL	1mH			LQH43MN102K03L	L1690108		1-	A	
Q 4801	TRANSISTOR				UMD5N TR	G3070343		1-	A	
Q 4802	TRANSISTOR				UMD5N TR	G3070343		1-	A	
Q 4803	FET				MMBFJ310LT1G	G3070457		1-	A	
Q 4804	FET				MMBFJ310LT1G	G3070457		1-	A	
Q 4805	TRANSISTOR				UMD5N TR	G3070343		1-	A	
Q 4806	TRANSISTOR				UMD5N TR	G3070343		1-	A	
Q 4807	IC				LM317BD2TR4G	G1095330		1-	A	
Q 4808	TRANSISTOR				UMD5N TR	G3070343		1-	A	
Q 4809	TRANSISTOR				UMD5N TR	G3070343		1-	A	
Q 4814	TRANSISTOR				UMD5N TR	G3070343		1-	A	
Q 4816	TRANSISTOR				UMD5N TR	G3070343		1-	A	
Q 4817	TRANSISTOR				UMD5N TR	G3070343		1-	A	
Q 4818	IC				NJU3714A(TAPE)	G1094291		1-	A	
Q 4819	TRANSISTOR				UMD5N TR	G3070343		1-	A	
Q 4820	IC				TC7S32FU(TE85R.F)	G1091529		1-	A	
Q 4821	TRANSISTOR				UMD5N TR	G3070343		1-	A	
Q 4822	IC				SN74HCT04PWR	G1094484		1-	A	
Q 4823	FET				MMBFJ310LT1G	G3070457		1-	A	
Q 4826	TRANSISTOR				2SA1576A T106 R	G3115768R		1-	A	
Q 4827	TRANSISTOR				DTC144EUA T106	G3070041		1-	A	
Q 4828	TRANSISTOR				DTC144EUA T106	G3070041		1-	A	

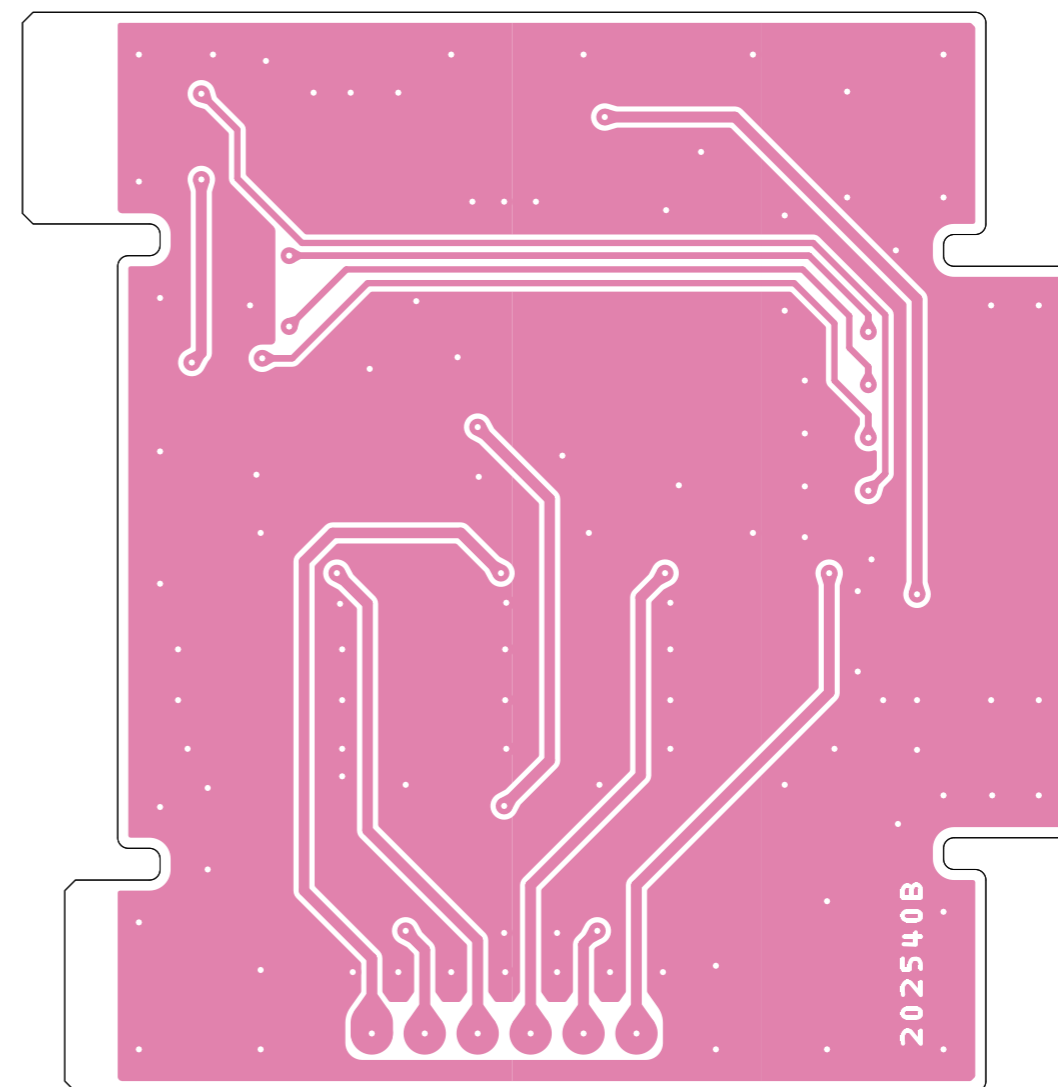
VCT Unit Parts List

REF	DESCRIPTION	VALUE	V/W	TOL.	MFR'S DESIG	YAESU P/N	VERS.	LOT	SIDE	LAY ADR
R 4801	CHIP RES.	100	1/16W	5%	RMC1/16 101JATP	J24185101		1-	A	
R 4802	CHIP RES.	100	1/16W	5%	RMC1/16 101JATP	J24185101		1-	A	
R 4803	CHIP RES.	100	1/16W	5%	RMC1/16 101JATP	J24185101		1-	A	
R 4804	CHIP RES.	100	1/16W	5%	RMC1/16 101JATP	J24185101		1-	A	
R 4805	CHIP RES.	100	1/16W	5%	RMC1/16 101JATP	J24185101		1-	A	
R 4806	CHIP RES.	100	1/16W	5%	RMC1/16 101JATP	J24185101		1-	A	
R 4810	CHIP RES.	100	1/16W	5%	RMC1/16 101JATP	J24185101		1-	A	
R 4811	CHIP RES.	100	1/16W	5%	RMC1/16 101JATP	J24185101		1-	A	
R 4812	CHIP RES.	100	1/16W	5%	RMC1/16 101JATP	J24185101		1-	A	
R 4813	CHIP RES.	100	1/16W	5%	RMC1/16 101JATP	J24185101		1-	A	
R 4814	CHIP RES.	100	1/16W	5%	RMC1/16 101JATP	J24185101		1-	A	
R 4815	CHIP RES.	100	1/16W	5%	RMC1/16 101JATP	J24185101		1-	A	
R 4816	CHIP RES.	100	1/16W	5%	RMC1/16 101JATP	J24185101		1-	A	
R 4817	CHIP RES.	100	1/16W	5%	RMC1/16 101JATP	J24185101		1-	A	
R 4818	CHIP RES.	10k	1/16W	5%	RMC1/16 103JATP	J24185103		1-	A	
R 4819	CHIP RES.	4.7	1/16W	5%	RMC1/16 4R7JATP	J24185479		1-	A	
R 4820	CHIP RES.	4.7	1/16W	5%	RMC1/16 4R7JATP	J24185479		1-	A	
R 4821	CHIP RES.	100	1/10W	5%	RMC1/10T 101J	J24205101		1-	A	
R 4822	CHIP RES.	100	1/10W	5%	RMC1/10T 101J	J24205101		1-	A	
R 4823	CHIP RES.	100	1/16W	5%	RMC1/16 101JATP	J24185101		1-	A	
R 4825	CHIP RES.	220	1/16W	1%	RMC1/16 221FTP	J24183221		1-	A	
R 4826	CHIP RES.	1.8k	1/16W	1%	RMC1/16 182FTP	J24183182		1-	A	
R 4830	CHIP RES.	100	1/16W	5%	RMC1/16 101JATP	J24185101		1-	A	
R 4840	CHIP RES.	3.3	1W	5%	RMC1 3R3JTE	J24305339		1-	A	
R 4841	CHIP RES.	3.3	1W	5%	RMC1 3R3JTE	J24305339		1-	A	
R 4842	CHIP RES.	3.3	1W	5%	RMC1 3R3JTE	J24305339		1-	A	
R 4843	CHIP RES.	0	1/10W	5%	RMC1/10T 000J	J24205000		1-	A	
R 4851	CHIP RES.	470	1/16W	5%	RMC1/16 471JATP	J24185471		1-	A	
R 4852	CHIP RES.	470	1/16W	5%	RMC1/16 471JATP	J24185471		1-	A	
R 4853	CHIP RES.	470	1/16W	5%	RMC1/16 471JATP	J24185471		1-	A	
R 4854	CHIP RES.	470	1/16W	5%	RMC1/16 471JATP	J24185471		1-	A	
R 4855	CHIP RES.	470	1/16W	5%	RMC1/16 471JATP	J24185471		1-	A	
R 4856	CHIP RES.	0	1/16W	5%	RMC1/16 000JATP	J24185000		1-	A	
R 4857	CHIP RES.	0	1/16W	5%	RMC1/16 000JATP	J24185000		1-	A	
R 4858	CHIP RES.	4.7	1/16W	5%	RMC1/16 4R7JATP	J24185479		1-	A	
R 4859	CHIP RES.	100	1/10W	5%	RMC1/10T 101J	J24205101		1-	A	
R 4860	CHIP RES.	0	1/16W	5%	RMC1/16 000JATP	J24185000		1-	A	
R 4861	CHIP RES.	0	1/16W	5%	RMC1/16 000JATP	J24185000		1-	A	
R 4862	CHIP RES.	1M	1/16W	5%	RMC1/16 105JATP	J24185105		1-	A	
R 4863	CHIP RES.	1M	1/16W	5%	RMC1/16 105JATP	J24185105		1-	A	
R 4870	CHIP RES.	0	1/16W	5%	RMC1/16 000JATP	J24185000		1-	A	
R 4871	CHIP RES.	100k	1/16W	5%	RMC1/16 104JATP	J24185104		1-	A	
R 4872	CHIP RES.	100k	1/16W	5%	RMC1/16 104JATP	J24185104		1-	A	
R 4873	CHIP RES.	100k	1/16W	5%	RMC1/16 104JATP	J24185104		1-	A	
RL4801	RELAY		DC12V		FTR-B4SA012Z-B05	M1190209		1-	A	
RL4802	RELAY		DC12V		FTR-B4SA012Z-B05	M1190209		1-	A	
RL4803	RELAY		DC12V		FTR-B4SA012Z-B05	M1190209		1-	A	
RL4804	RELAY		DC12V		FTR-B4SA012Z-B05	M1190209		1-	A	
RL4805	RELAY		DC12V		FTR-B4SA012Z-B05	M1190209		1-	A	
RL4806	RELAY		DC12V		FTR-B4SA012Z-B05	M1190209		1-	A	
RL4807	RELAY		DC12V		FTR-B4SA012Z-B05	M1190209		1-	A	
RL4808	RELAY		DC12V		FTR-B4SA012Z-B05	M1190209		1-	A	
RL4809	RELAY		DC12V		FTR-B4SA012Z-B05	M1190209		1-	A	
RL4810	RELAY		DC12V		FTR-B4SA012Z-B05	M1190209		1-	A	
RL4811	RELAY		DC12V		FTR-B4SA012Z-B05	M1190209		1-	A	
RL4812	RELAY		DC12V		FTR-B4SA012Z-B05	M1190209		1-	A	
RL4813	RELAY		DC12V		FTR-B4SA012Z-B05	M1190209		1-	A	
RL4814	RELAY		DC12V		FTR-B4SA012Z-B05	M1190209		1-	A	
RL4815	RELAY		DC12V		FTR-B4SA012Z-B05	M1190209		1-	A	
RL4816	RELAY		DC12V		FTR-B4SA012Z-B05	M1190209		1-	A	
TC4801	TRIMMER CAP.	50pF			TZB4R500AA10R00	K91000292		1-	A	
TC4802	TRIMMER CAP.	30pF			TZB4P300AA10R00	K91000288		1-	A	
TC4803	TRIMMER CAP.	20pF			TZB4R200AA10R00	K91000217		1-	A	
TC4804	TRIMMER CAP.	50pF			TZB4R500AA10R00	K91000292		1-	A	
TC4805	TRIMMER CAP.	50pF			TZB4R500AA10R00	K91000292		1-	A	
TC4806	TRIMMER CAP.	50pF			TZB4R500AA10R00	K91000292		1-	A	
TC4807	TRIMMER CAP.	30pF			TZB4P300AA10R00	K91000288		1-	A	
TC4808	TRIMMER CAP.	20pF			TZB4R200AA10R00	K91000217		1-	A	
TC4809	TRIMMER CAP.	20pF			TZB4R200AA10R00	K91000217		1-	A	
TC4810	TRIMMER CAP.	40pF			TZB4P400AA10R00	K91000290		1-	A	
TC4811	TRIMMER CAP.	20pF			TZB4R200AA10R00	K91000217		1-	A	
	SHIELD CASE				(VCT)	RA6184200		1-		





side A

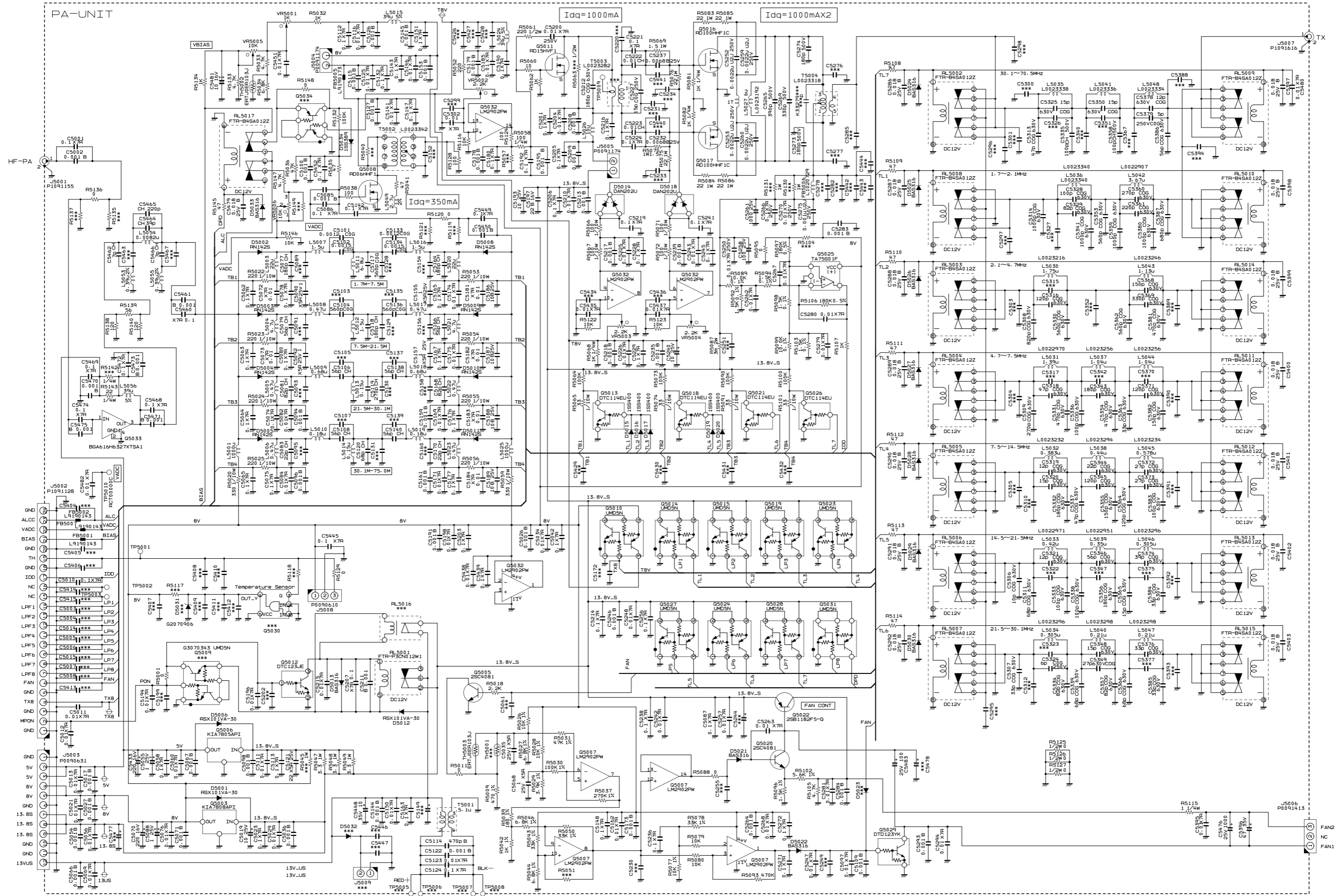


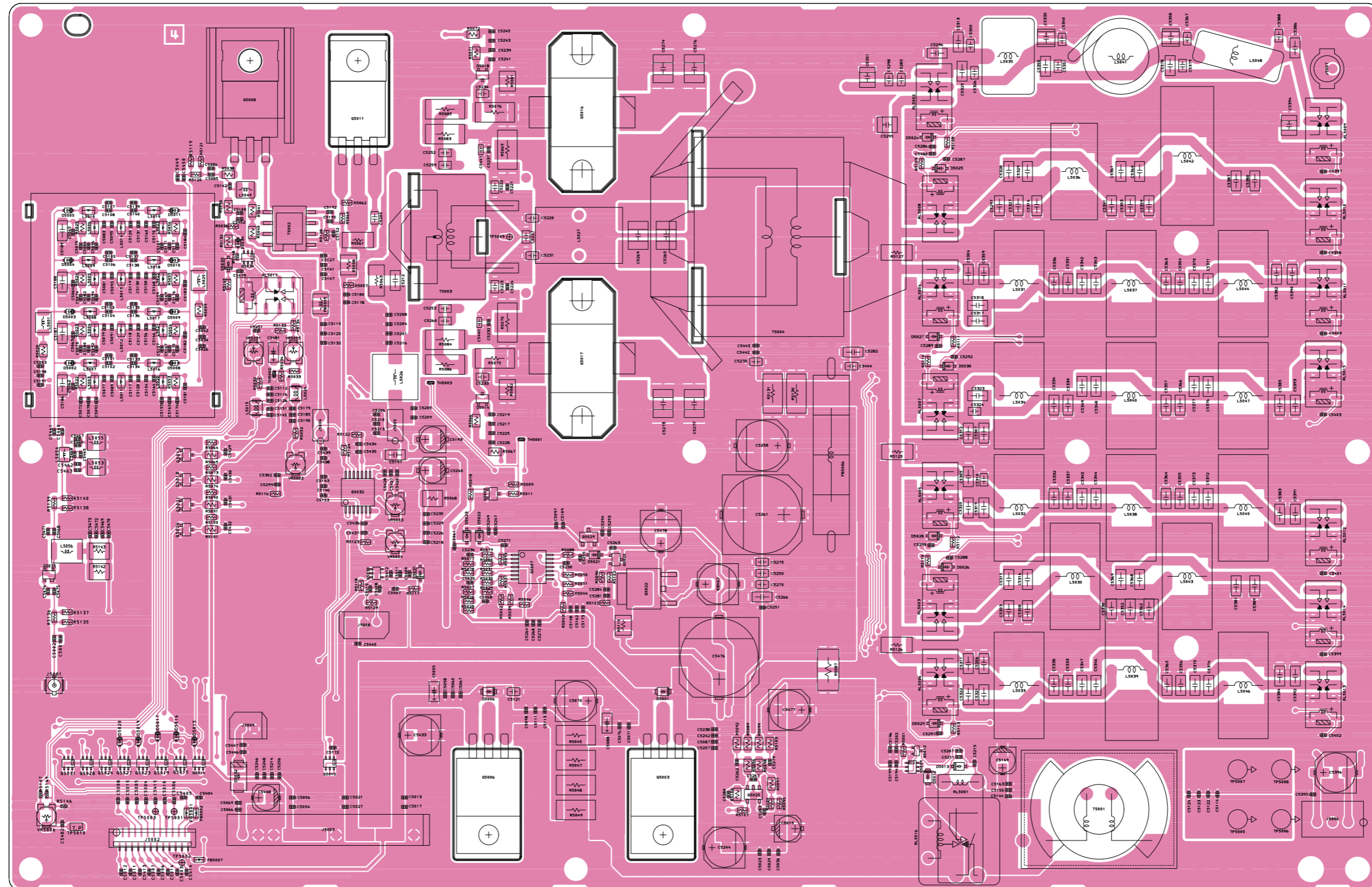
side B

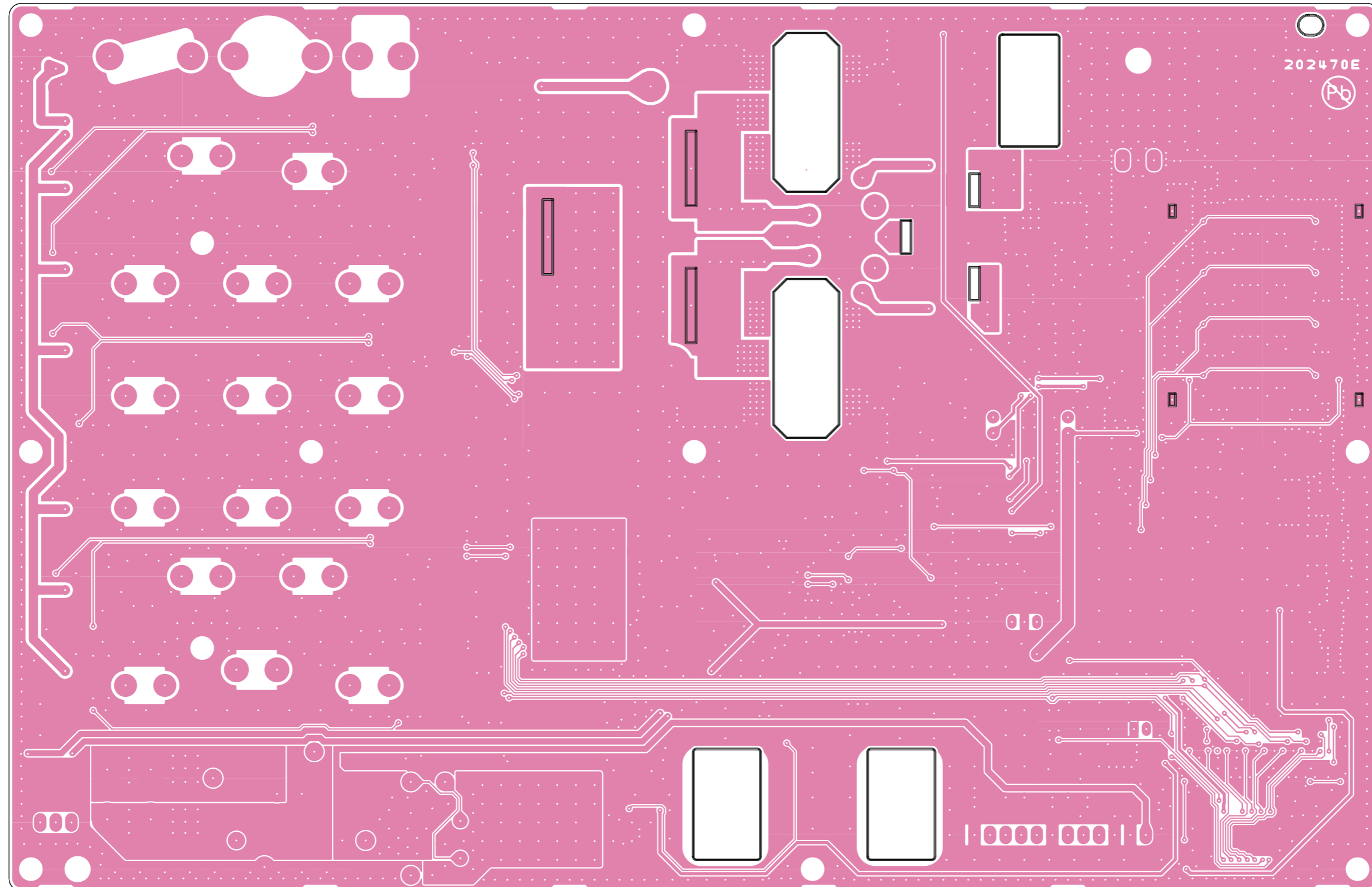
VCT-CNTL Unit

Parts List

REF	DESCRIPTION	VALUE	V/W	TOL.	MFR'S DESIG	YAESU P/N	VERS.	LOT	SIDE	LAY ADR
C 3801	CHIP CAP.	0.1uF	50V	X7R	GRM155R71H104KE14D	K22178872		1-	A	
C 3802	AL.ELECTRO.CAP.	10uF	25V		EMVA250ADA100MD55G	K48140014		1-	A	
C 3803	CHIP CAP.	0.001uF	50V	B	GRM155B11H102KA01D	K22178809		1-	A	
C 3804	CHIP CAP.	0.01uF	50V	X7R	GRM155R71H103KA88D	K22178848		1-	A	
C 3805	CHIP CAP.	0.047uF	50V	X7R	GRM155R71H473KE14D	K22178864		1-	A	
C 3806	CHIP CAP.	0.1uF	50V	X7R	GRM155R71H104KE14D	K22178872		1-	A	
C 3807	CHIP CAP.	0.01uF	50V	X7R	GRM155R71H103KA88D	K22178848		1-	A	
C 3808	AL.ELECTRO.CAP.	10uF	25V		EMVA250ADA100MD55G	K48140014		1-	A	
D 3801	DIODE				RSX101VA-30TR	G2070984		1-	A	
D 3802	DIODE				RSX101VA-30TR	G2070984		1-	A	
D 3803	DIODE				RF071M2S-TR	G2071068		1-	A	
D 3804	DIODE				RF071M2S-TR	G2071068		1-	A	
D 3805	DIODE				RF071M2S-TR	G2071068		1-	A	
D 3806	DIODE				RF071M2S-TR	G2071068		1-	A	
D 3807	DIODE				RSX101VA-30TR	G2070984		1-	A	
JP3801	WIRE ASSY				AH068H-80MM11P	T9207834		1-	A	
L 3801	M.RFC	10uH			CDRH73NP-100MC	L1690598		1-	A	
Q 3801	TRANSISTOR				2SB1182-TLQ	G3070063		1-	A	
Q 3802	TRANSISTOR				2SB1182-TLQ	G3070063		1-	A	
Q 3803	TRANSISTOR				2SB1182-TLQ	G3070063		1-	A	
Q 3804	TRANSISTOR				2SB1182-TLQ	G3070063		1-	A	
Q 3805	IC				NJM3517E2-TE2	G1093849		1-	A	
R 3801	CHIP RES.	56	1W	5%	RMC1 560JTE	J24305560		1-	A	
R 3802	CHIP RES.	56	1W	5%	RMC1 560JTE	J24305560		1-	A	
R 3803	CHIP RES.	56	1W	5%	RMC1 560JTE	J24305560		1-	A	
R 3804	CHIP RES.	56	1W	5%	RMC1 560JTE	J24305560		1-	A	
R 3805	CHIP RES.	47k	1/16W	5%	RMC1/16 473JATP	J24185473		1-	A	
R 3806	CHIP RES.	47k	1/16W	5%	RMC1/16 473JATP	J24185473		1-	A	
R 3807	CHIP RES.	47k	1/16W	5%	RMC1/16 473JATP	J24185473		1-	A	
R 3808	CHIP RES.	47k	1/16W	5%	RMC1/16 473JATP	J24185473		1-	A	
R 3809	CHIP RES.	220	1/10W	5%	RMC1/10T 221J	J24205221		1-	A	
R 3810	CHIP RES.	220	1/10W	5%	RMC1/10T 221J	J24205221		1-	A	
R 3811	CHIP RES.	220	1/10W	5%	RMC1/10T 221J	J24205221		1-	A	
R 3812	CHIP RES.	220	1/10W	5%	RMC1/10T 221J	J24205221		1-	A	
R 3817	CHIP RES.	0	1/16W	5%	RMC1/16 000JATP	J24185000		1-	A	
R 3819	CHIP RES.	0	1/16W	5%	RMC1/16 000JATP	J24185000		1-	A	
R 3820	CHIP RES.	0	1/16W	5%	RMC1/16 000JATP	J24185000		1-	A	
R 3821	CHIP RES.	0	1/16W	5%	RMC1/16 000JATP	J24185000		1-	A	
R 3822	CHIP RES.	0	1/16W	5%	RMC1/16 000JATP	J24185000		1-	A	







PA Unit (FTDX101D)

Parts List

REF	DESCRIPTION	VALUE	V/W	TOL.	MFR'S DESIG	YAESU P/N	VERS.	LOT	SIDE	LAY ADR
C 5001	CHIP CAP.	0.1uF	50V	X7R	GRM155R71H104KE14D	K22178872		1-	A	
C 5002	CHIP CAP.	0.001uF	50V	B	GRM155B11H102KA01D	K22178809		1-	A	
C 5010	CHIP CAP.	0.1uF	50V	X7R	GRM155R71H104KE14D	K22178872		1-	A	
C 5011	CHIP CAP.	0.01uF	50V	X7R	GRM155R71H103KA88D	K22178848		1-	A	
C 5012	CHIP CAP.	0.01uF	50V	X7R	GRM155R71H103KA88D	K22178848		1-	A	
C 5013	CHIP CAP.	0.01uF	50V	X7R	GRM155R71H103KA88D	K22178848		1-	A	
C 5017	CHIP CAP.	0.001uF	50V	B	GRM155B11H102KA01D	K22178809		1-	A	
C 5019	AL.ELECTRO.CAP.	10uF	25V		EMVA250ADA100MD55G	K48140014		1-	A	
C 5021	CHIP CAP.	0.01uF	50V	X7R	GRM155R71H103KA88D	K22178848		1-	A	
C 5023	CHIP CAP.	0.1uF	50V	X7R	GRM155R71H104KE14D	K22178872		1-	A	
C 5026	CHIP CAP.	0.001uF	50V	B	GRM155B11H102KA01D	K22178809		1-	A	
C 5027	CHIP CAP.	0.001uF	50V	B	GRM155B11H102KA01D	K22178809		1-	A	
C 5029	CHIP CAP.	0.01uF	50V	X7R	GRM155R71H103KA88D	K22178848		1-	A	
C 5034	CHIP CAP.	0.01uF	50V	X7R	GRM155R71H103KA88D	K22178848		1-	A	
C 5035	CHIP CAP.	1uF	25V	X5R	GRM155R61E105KE11D	K22149010		1-	A	
C 5036	CHIP CAP.	0.001uF	50V	B	GRM155B11H102KA01D	K22178809		1-	A	
C 5042	CHIP CAP.	0.1uF	50V	X7R	GRM155R71H104KE14D	K22178872		1-	A	
C 5054	CHIP CAP.	0.001uF	50V	B	GRM155B11H102KA01D	K22178809		1-	A	
C 5055	CHIP TA.CAP.	1uF	25V		TMCMA1E105MTRF	K78140013		1-	A	
C 5056	CHIP CAP.	0.01uF	50V	X7R	GRM155R71H103KA88D	K22178848		1-	A	
C 5058	CHIP CAP.	0.1uF	50V	X7R	GRM155R71H104KE14D	K22178872		1-	A	
C 5060	CHIP CAP.	0.01uF	50V	X7R	GRM155R71H103KA88D	K22178848		1-	A	
C 5062	CHIP CAP.	0.1uF	50V	X7R	GRM155R71H104KE14D	K22178872		1-	A	
C 5063	CHIP CAP.	0.1uF	50V	X7R	GRM155R71H104KE14D	K22178872		1-	A	
C 5064	CHIP CAP.	0.1uF	50V	X7R	GRM155R71H104KE14D	K22178872		1-	A	
C 5065	CHIP CAP.	0.1uF	50V	X7R	GRM155R71H104KE14D	K22178872		1-	A	
C 5066	CHIP CAP.	0.001uF	50V	B	GRM155B11H102KA01D	K22178809		1-	A	
C 5067	CHIP CAP.	0.001uF	50V	B	GRM155B11H102KA01D	K22178809		1-	A	
C 5068	CHIP CAP.	1uF	25V	X5R	GRM155R61E105KE11D	K22149010		1-	A	
C 5069	CHIP CAP.	0.01uF	50V	X7R	GRM155R71H103KA88D	K22178848		1-	A	
C 5070	AL.ELECTRO.CAP.	220uF	16V		EMVA160ADA221MF80G	K48120021		1-	A	
C 5071	CHIP CAP.	0.001uF	50V	B	GRM155B11H102KA01D	K22178809		1-	A	
C 5072	CHIP CAP.	0.01uF	50V	X7R	GRM155R71H103KA88D	K22178848		1-	A	
C 5073	CHIP CAP.	0.01uF	50V	X7R	GRM155R71H103KA88D	K22178848		1-	A	
C 5074	CHIP CAP.	0.1uF	50V	X7R	GRM155R71H104KE14D	K22178872		1-	A	
C 5075	CHIP CAP.	0.1uF	50V	X7R	GRM155R71H104KE14D	K22178872		1-	A	
C 5076	CHIP CAP.	0.01uF	50V	X7R	GRM155R71H103KA88D	K22178848		1-	A	
C 5077	CHIP CAP.	180pF	50V	CH	GRM1552C1H181JA01D	K22179711		1-	A	
C 5078	CHIP CAP.	0.1uF	50V	X7R	GRM155R71H104KE14D	K22178872		1-	A	
C 5079	CHIP CAP.	56pF	50V	CH	GRM1552C1H560JA01D	K22178230		1-	A	
C 5080	CHIP CAP.	0.1uF	50V	X7R	GRM155R71H104KE14D	K22178872		1-	A	
C 5081	CHIP CAP.	82pF	50V	CH	GRM1552C1H820JA01D	K22178234		1-	A	
C 5082	CHIP CAP.	0.01uF	50V	X7R	GRM155R71H103KA88D	K22178848		1-	A	
C 5083	CHIP CAP.	22pF	50V	CH	GRM1552C1H220JA01D	K22178220		1-	A	
C 5084	CHIP CAP.	0.01uF	50V	X7R	GRM155R71H103KA88D	K22178848		1-	A	
C 5085	CHIP CAP.	0.001uF	50V	B	GRM155B11H102KA01D	K22178809		1-	A	
C 5086	CHIP CAP.	0.1uF	50V	X7R	GRM155R71H104KE14D	K22178872		1-	A	
C 5087	CHIP CAP.	0.1uF	50V	X7R	GRM155R71H104KE14D	K22178872		1-	A	
C 5088	CHIP TA.CAP.	1uF	25V		TMCMA1E105MTRF	K78140013		1-	A	
C 5090	CHIP CAP.	1uF	25V	X5R	GRM155R61E105KE11D	K22149010		1-	A	
C 5092	CHIP CAP.	1uF	25V	X5R	GRM155R61E105KE11D	K22149010		1-	A	
C 5094	CHIP CAP.	0.001uF	50V	B	GRM155B11H102KA01D	K22178809		1-	A	
C 5096	CHIP CAP.	0.001uF	50V	B	GRM155B11H102KA01D	K22178809		1-	A	
C 5097	CHIP CAP.	0.01uF	50V	X7R	GRM155R71H103KA88D	K22178848		1-	A	
C 5098	CHIP CAP.	0.001uF	50V	B	GRM155B11H102KA01D	K22178809		1-	A	
C 5100	CHIP CAP.	0.001uF	50V	B	GRM155B11H102KA01D	K22178809		1-	A	
C 5101	CHIP CAP.	0.0012uF	50V	C0G	GRM1555C1H122JA01D	K22179758		1-	A	
C 5102	CHIP CAP.	0.0015uF	50V	C0G	GRM1555C1H152JA01D	K22179760		1-	A	
C 5104	CHIP CAP.	560pF	50V	C0G	GRM1555C1H561JA01D	K22179750		1-	A	
C 5106	CHIP CAP.	56pF	50V	CH	GRM1552C1H560JA01D	K22178230		1-	A	
C 5108	CHIP CAP.	56pF	50V	CH	GRM1552C1H560JA01D	K22178230		1-	A	
C 5109	CHIP CAP.	0.001uF	50V	B	GRM155B11H102KA01D	K22178809		1-	A	
C 5111	CHIP CAP.	0.01uF	50V	X7R	GRM155R71H103KA88D	K22178848		1-	A	
C 5112	CHIP CAP.	0.1uF	50V	X7R	GRM155R71H104KE14D	K22178872		1-	A	
C 5113	CHIP CAP.	0.1uF	50V	X7R	GRM155R71H104KE14D	K22178872		1-	A	
C 5114	CHIP CAP.	470pF	50V	B	GRM155B11H471KA01D	K22178805		1-	A	
C 5115	CHIP CAP.	0.001uF	50V	B	GRM155B11H102KA01D	K22178809		1-	A	
C 5116	CHIP CAP.	0.01uF	50V	X7R	GRM155R71H103KA88D	K22178848		1-	A	
C 5117	CHIP CAP.	560pF	50V	C0G	GRM1555C1H561JA01D	K22179750		1-	A	
C 5118	CHIP CAP.	180pF	50V	CH	GRM1552C1H181JA01D	K22179711		1-	A	
C 5119	CHIP CAP.	270pF	50V	CH	GRM1552C1H271JA01D	K22179715		1-	A	
C 5120	CHIP CAP.	68pF	50V	CH	GRM1552C1H680JA01D	K22178232		1-	A	
C 5121	CHIP CAP.	22uF	25V	X5R	GRM21BR61E226ME44L	K22140830		1-	A	
C 5122	CHIP CAP.	0.001uF	50V	B	GRM155B11H102KA01D	K22178809		1-	A	
C 5123	CHIP CAP.	0.01uF	50V	X7R	GRM155R71H103KA88D	K22178848		1-	A	

PA Unit (FTDX101D)

Parts List

REF	DESCRIPTION	VALUE	V/W	TOL.	MFR'S DESIG	YAESU P/N	VERS.	LOT	SIDE	LAY ADR
C 5124	CHIP CAP.	0.1uF	50V	X7R	GRM155R71H104KE14D	K22178872		1-	A	
C 5125	CHIP CAP.	0.01uF	50V	X7R	GRM155R71H103KA88D	K22178848		1-	A	
C 5126	CHIP CAP.	0.001uF	50V	B	GRM155B11H102KA01D	K22178809		1-	A	
C 5127	CHIP CAP.	0.001uF	50V	B	GRM155B11H102KA01D	K22178809		1-	A	
C 5132	CHIP CAP.	0.1uF	50V	X7R	GRM155R71H104KE14D	K22178872		1-	A	
C 5133	CHIP CAP.	0.0012uF	50V	C0G	GRM1555C1H122JA01D	K22179758		1-	A	
C 5134	CHIP CAP.	0.0015uF	50V	C0G	GRM1555C1H152JA01D	K22179760		1-	A	
C 5136	CHIP CAP.	560pF	50V	C0G	GRM1555C1H561JA01D	K22179750		1-	A	
C 5138	CHIP CAP.	56pF	50V	CH	GRM1552C1H560JA01D	K22178230		1-	A	
C 5140	CHIP CAP.	56pF	50V	CH	GRM1552C1H560JA01D	K22178230		1-	A	
C 5141	CHIP CAP.	0.01uF	50V	X7R	GRM155R71H103KA88D	K22178848		1-	A	
C 5142	CHIP CAP.	0.1uF	50V	X7R	GRM155R71H104KE14D	K22178872		1-	A	
C 5143	CHIP CAP.	0.1uF	50V	X7R	GRM155R71H104KE14D	K22178872		1-	A	
C 5144	CHIP CAP.	0.001uF	50V	B	GRM155B11H102KA01D	K22178809		1-	A	
C 5145	CHIP CAP.	0.001uF	50V	B	GRM155B11H102KA01D	K22178809		1-	A	
C 5146	CHIP CAP.	0.01uF	50V	X7R	GRM155R71H103KA88D	K22178848		1-	A	
C 5147	CHIP CAP.	0.1uF	50V	X7R	GRM155R71H104KE14D	K22178872		1-	A	
C 5148	CHIP CAP.	0.1uF	50V	X7R	GRM155R71H104KE14D	K22178872		1-	A	
C 5150	CHIP CAP.	0.01uF	50V	X7R	GRM155R71H103KA88D	K22178848		1-	A	
C 5151	CHIP CAP.	0.1uF	50V	X7R	GRM155R71H104KE14D	K22178872		1-	A	
C 5153	CHIP CAP.	0.001uF	50V	B	GRM155B11H102KA01D	K22178809		1-	A	
C 5155	CHIP CAP.	1uF	25V	X5R	GRM155R61E105KE11D	K22149010		1-	A	
C 5157	CHIP CAP.	1uF	25V	X5R	GRM155R61E105KE11D	K22149010		1-	A	
C 5159	CHIP CAP.	0.001uF	50V	B	GRM155B11H102KA01D	K22178809		1-	A	
C 5161	CHIP CAP.	0.001uF	50V	B	GRM155B11H102KA01D	K22178809		1-	A	
C 5162	CHIP CAP.	0.01uF	50V	X7R	GRM155R71H103KA88D	K22178848		1-	A	
C 5163	CHIP CAP.	0.1uF	50V	X7R	GRM155R71H104KE14D	K22178872		1-	A	
C 5164	CHIP CAP.	180pF	50V	CH	GRM1552C1H181JA01D	K22179711		1-	A	
C 5165	CHIP CAP.	0.1uF	50V	X7R	GRM155R71H104KE14D	K22178872		1-	A	
C 5166	CHIP CAP.	56pF	50V	CH	GRM1552C1H560JA01D	K22178230		1-	A	
C 5167	CHIP CAP.	0.1uF	50V	X7R	GRM155R71H104KE14D	K22178872		1-	A	
C 5168	CHIP CAP.	82pF	50V	CH	GRM1552C1H820JA01D	K22178234		1-	A	
C 5169	CHIP CAP.	0.01uF	50V	X7R	GRM155R71H103KA88D	K22178848		1-	A	
C 5170	CHIP CAP.	22pF	50V	CH	GRM1552C1H220JA01D	K22178220		1-	A	
C 5171	CHIP CAP.	0.01uF	50V	X7R	GRM155R71H103KA88D	K22178848		1-	A	
C 5173	CHIP CAP.	0.001uF	50V	B	GRM155B11H102KA01D	K22178809		1-	A	
C 5174	CHIP CAP.	0.01uF	50V	X7R	GRM155R71H103KA88D	K22178848		1-	A	
C 5175	CHIP CAP.	0.01uF	50V	X7R	GRM155R71H103KA88D	K22178848		1-	A	
C 5176	CHIP CAP.	0.1uF	50V	X7R	GRM155R71H104KE14D	K22178872		1-	A	
C 5177	CHIP CAP.	0.1uF	50V	X7R	GRM155R71H104KE14D	K22178872		1-	A	
C 5178	CHIP CAP.	0.001uF	50V	B	GRM155B11H102KA01D	K22178809		1-	A	
C 5179	CHIP CAP.	0.001uF	50V	B	GRM155B11H102KA01D	K22178809		1-	A	
C 5180	CHIP CAP.	0.1uF	50V	X7R	GRM155R71H104KE14D	K22178872		1-	A	
C 5181	CHIP CAP.	0.01uF	50V	X7R	GRM155R71H103KA88D	K22178848		1-	A	
C 5182	CHIP CAP.	0.01uF	50V	X7R	GRM155R71H103KA88D	K22178848		1-	A	
C 5183	CHIP CAP.	0.01uF	50V	X7R	GRM155R71H103KA88D	K22178848		1-	A	
C 5184	CHIP CAP.	0.01uF	50V	X7R	GRM155R71H103KA88D	K22178848		1-	A	
C 5185	CHIP CAP.	0.01uF	50V	X7R	GRM155R71H103KA88D	K22178848		1-	A	
C 5186	CHIP CAP.	10uF	25V	B	GRM31CB31E106KA75L	K22141815		1-	A	
C 5187	CHIP CAP.	10uF	25V	B	GRM31CB31E106KA75L	K22141815		1-	A	
C 5188	CHIP CAP.	10uF	25V	B	GRM31CB31E106KA75L	K22141815		1-	A	
C 5189	CHIP CAP.	10uF	25V	B	GRM31CB31E106KA75L	K22141815		1-	A	
C 5190	CHIP CAP.	0.1uF	50V	X7R	GRM155R71H104KE14D	K22178872		1-	A	
C 5191	CHIP CAP.	0.001uF	50V	B	GRM155B11H102KA01D	K22178809		1-	A	
C 5192	CHIP CAP.	0.1uF	50V	X7R	GRM155R71H104KE14D	K22178872		1-	A	
C 5193	AL.ELECTRO.CAP.	10uF	25V		EMVA250ADA100MD55G	K48140014		1-	A	
C 5194	CHIP CAP.	0.01uF	50V	X7R	GRM155R71H103KA88D	K22178848		1-	A	
C 5195	CHIP CAP.	0.001uF	50V	B	GRM155B11H102KA01D	K22178809		1-	A	
C 5196	CHIP CAP.	0.01uF	50V	X7R	GRM155R71H103KA88D	K22178848		1-	A	
C 5197	CHIP CAP.	22uF	16V	B	GRM31CB31C226ME15L	K22121804		1-	A	
C 5198	CHIP CAP.	0.01uF	50V	X7R	GRM155R71H103KA88D	K22178848		1-	A	
C 5200	CHIP CAP.	0.01uF	250V	X7R	GRM21BR72E103KW03L	K22240801		1-	A	
C 5201	CHIP CAP.	0.1uF	50V	X7R	GRM155R71H104KE14D	K22178872		1-	A	
C 5203	CHIP CAP.	0.1uF	50V	X7R	GRM155R71H104KE14D	K22178872		1-	A	
C 5204	CHIP CAP.	0.01uF	50V	X7R	GRM155R71H103KA88D	K22178848		1-	A	
C 5205	CHIP CAP.	0.1uF	50V	X7R	GRM155R71H104KE14D	K22178872		1-	A	
C 5206	CHIP CAP.	0.1uF	50V	X7R	GRM155R71H104KE14D	K22178872		1-	A	
C 5207	CHIP CAP.	0.1uF	50V	X7R	GRM155R71H104KE14D	K22178872		1-	A	
C 5208	CHIP CAP.	0.001uF	50V	B	GRM155B11H102KA01D	K22178809		1-	A	
C 5209	CHIP CAP.	0.001uF	50V	B	GRM155B11H102KA01D	K22178809		1-	A	
C 5210	CHIP CAP.	0.01uF	50V	X7R	GRM155R71H103KA88D	K22178848		1-	A	
C 5211	CHIP CAP.	0.001uF	50V	B	GRM155B11H102KA01D	K22178809		1-	A	
C 5212	CHIP CAP.	180pF	630V	C0G	GRM31A5C2J181JW01D	K22281235		1-	A	
C 5213	CHIP CAP.	0.001uF	50V	B	GRM155B11H102KA01D	K22178809		1-	A	
C 5214	CHIP CAP.	0.1uF	50V	X7R	GRM155R71H104KE14D	K22178872		1-	A	

PA Unit (FTDX101D)

Parts List

REF	DESCRIPTION	VALUE	V/W	TOL.	MFR'S DESIG	YAESU P/N	VERS.	LOT	SIDE	LAY ADR
C 5215	CHIP CAP.	0.01uF	50V	X7R	GRM155R71H103KA88D	K22178848		1-	A	
C 5216	CHIP CAP.	0.1uF	50V	X7R	GRM155R71H104KE14D	K22178872		1-	A	
C 5217	CHIP CAP.	0.001uF	50V	B	GRM155B11H102KA01D	K22178809		1-	A	
C 5218	CHIP CAP.	0.001uF	50V	B	GRM155B11H102KA01D	K22178809		1-	A	
C 5219	CHIP CAP.	0.1uF	50V	X7R	GRM155R71H104KE14D	K22178872		1-	A	
C 5221	CHIP CAP.	0.1uF	50V	X7R	GRM155R71H104KE14D	K22178872		1-	A	
C 5222	CHIP CAP.	0.01uF	50V	CH	GRM2192C1H103JA01D	K22170291		1-	A	
C 5223	CHIP CAP.	0.01uF	50V	CH	GRM2192C1H103JA01D	K22170291		1-	A	
C 5224	CHIP CAP.	0.1uF	50V	X7R	GRM155R71H104KE14D	K22178872		1-	A	
C 5225	CHIP CAP.	0.01uF	50V	X7R	GRM155R71H103KA88D	K22178848		1-	A	
C 5226	CHIP CAP.	0.01uF	50V	X7R	GRM155R71H103KA88D	K22178848		1-	A	
C 5227	CHIP CAP.	15pF	250V	C0G	GRM21A5C2E150JW01D	K22240303		1-	A	
C 5228	CHIP CAP.	0.1uF	50V	X7R	GRM155R71H104KE14D	K22178872		1-	A	
C 5229	CHIP CAP.	0.1uF	50V	X7R	GRM155R71H104KE14D	K22178872		1-	A	
C 5232	CHIP CAP.	0.0068uF	25V	B	GRM155B11E682KA01D	K22148803		1-	A	
C 5235	CHIP CAP.	0.001uF	50V	B	GRM155B11H102KA01D	K22178809		1-	A	
C 5236	CHIP CAP.	0.1uF	50V	X7R	GRM155R71H104KE14D	K22178872		1-	A	
C 5237	CHIP CAP.	0.0068uF	25V	B	GRM155B11E682KA01D	K22148803		1-	A	
C 5238	CHIP CAP.	0.1uF	50V	X7R	GRM155R71H104KE14D	K22178872		1-	A	
C 5239	CHIP CAP.	0.001uF	50V	B	GRM155B11H102KA01D	K22178809		1-	A	
C 5240	AL.ELECTRO.CAP.	10uF	25V		EMVA250ADA100MD55G	K48140014		1-	A	
C 5241	CHIP CAP.	0.1uF	50V	X7R	GRM155R71H104KE14D	K22178872		1-	A	
C 5242	CHIP CAP.	0.01uF	50V	X7R	GRM155R71H103KA88D	K22178848		1-	A	
C 5243	CHIP CAP.	0.01uF	50V	X7R	GRM155R71H103KA88D	K22178848		1-	A	
C 5245	CHIP CAP.	0.1uF	50V	X7R	GRM155R71H104KE14D	K22178872		1-	A	
C 5246	CHIP CAP.	0.001uF	50V	B	GRM155B11H102KA01D	K22178809		1-	A	
C 5247	CHIP CAP.	0.01uF	50V	X7R	GRM155R71H103KA88D	K22178848		1-	A	
C 5248	CHIP CAP.	0.01uF	50V	X7R	GRM155R71H103KA88D	K22178848		1-	A	
C 5250	CHIP CAP.	0.01uF	250V	X7R	GRM21BR72E103KW03L	K22240801		1-	A	
C 5252	CHIP CAP.	0.0022uF	250V	U2J	GRM21A7U2E222JW31D	K22240329		1-	A	
C 5253	CHIP CAP.	0.0022uF	250V	U2J	GRM21A7U2E222JW31D	K22240329		1-	A	
C 5256	CHIP CAP.	0.1uF	50V	X7R	GRM155R71H104KE14D	K22178872		1-	A	
C 5257	CHIP CAP.	0.01uF	50V	X7R	GRM155R71H103KA88D	K22178848		1-	A	
C 5258	AL.ELECTRO.CAP.	100uF	25V		UWX1E101MCL1GB	K48140024		1-	A	
C 5259	CHIP CAP.	0.0022uF	250V	U2J	GRM21A7U2E222JW31D	K22240329		1-	A	
C 5260	CHIP CAP.	0.0022uF	250V	U2J	GRM21A7U2E222JW31D	K22240329		1-	A	
C 5261	AL.ELECTRO.CAP.	1000uF	25V		25CE1000BS	K48140025		1-	A	
C 5262	CHIP CAP.	0.01uF	50V	X7R	GRM155R71H103KA88D	K22178848		1-	A	
C 5263	CHIP CAP.	0.01uF	50V	X7R	GRM155R71H103KA88D	K22178848		1-	A	
C 5264	CHIP CAP.	0.001uF	50V	B	GRM155B11H102KA01D	K22178809		1-	A	
C 5265	FILM CAP.	390pF	500V		UC342H3900J-T	K33279040		1-	A	
C 5266	CHIP CAP.	0.1uF	250V	X7R	GRM31CR72E104KW03L	K22241804		1-	A	
C 5267	CHIP CAP.	0.01uF	50V	X7R	GRM155R71H103KA88D	K22178848		1-	A	
C 5268	CHIP CAP.	0.01uF	50V	X7R	GRM155R71H103KA88D	K22178848		1-	A	
C 5269	FILM CAP.	330pF	500V		UC342H3300J-T	K33279014		1-	A	
C 5270	CHIP CAP.	0.01uF	250V	X7R	GRM21BR72E103KW03L	K22240801		1-	A	
C 5271	CHIP CAP.	0.1uF	50V	X7R	GRM155R71H104KE14D	K22178872		1-	A	
C 5272	CHIP CAP.	0.1uF	50V	X7R	GRM155R71H104KE14D	K22178872		1-	A	
C 5273	FILM CAP.	180pF	500V		UC342H1800J-T	K33279039		1-	A	
C 5274	FILM CAP.	180pF	500V		UC342H1800J-T	K33279039		1-	A	
C 5275	CHIP CAP.	0.001uF	250V	U2J	GRM21A7U2E102JW31D	K22240325		1-	A	
C 5279	CHIP CAP.	0.01uF	50V	X7R	GRM155R71H103KA88D	K22178848		1-	A	
C 5280	CHIP CAP.	0.01uF	50V	X7R	GRM155R71H103KA88D	K22178848		1-	A	
C 5281	CHIP CAP.	0.01uF	50V	X7R	GRM155R71H103KA88D	K22178848		1-	A	
C 5283	CHIP CAP.	0.001uF	50V	B	GRM155B11H102KA01D	K22178809		1-	A	
C 5284	CHIP CAP.	0.001uF	50V	B	GRM155B11H102KA01D	K22178809		1-	A	
C 5286	CHIP CAP.	0.018uF	25V	B	GRM155B11E183KA61D	K22148835		1-	A	
C 5287	CHIP CAP.	0.018uF	25V	B	GRM155B11E183KA61D	K22148835		1-	A	
C 5288	CHIP CAP.	0.018uF	25V	B	GRM155B11E183KA61D	K22148835		1-	A	
C 5289	CHIP CAP.	0.018uF	25V	B	GRM155B11E183KA61D	K22148835		1-	A	
C 5290	CHIP CAP.	0.018uF	25V	B	GRM155B11E183KA61D	K22148835		1-	A	
C 5291	CHIP CAP.	0.018uF	25V	B	GRM155B11E183KA61D	K22148835		1-	A	
C 5292	CHIP CAP.	0.018uF	25V	B	GRM155B11E183KA61D	K22148835		1-	A	
C 5293	CHIP CAP.	0.001uF	50V	B	GRM155B11H102KA01D	K22178809		1-	A	
C 5294	CHIP CAP.	0.01uF	50V	X7R	GRM155R71H103KA88D	K22178848		1-	A	
C 5302	CHIP CAP.	0.01uF	50V	X7R	GRM155R71H103KA88D	K22178848		1-	A	
C 5306	CHIP CAP.	10pF	630V	C0G	GRM31A5C2J100JW01D	K22281220		1-	A	
C 5307	CHIP CAP.	33pF	630V	C0G	GRM31A5C2J330JW01D	K22281226		1-	A	
C 5308	CHIP CAP.	820pF	630V	C0G	GRM31B5C2J821JW01L	K22281243		1-	A	
C 5309	CHIP CAP.	270pF	630V	C0G	GRM31A5C2J271JW01D	K22281237		1-	A	
C 5311	CHIP CAP.	68pF	630V	C0G	GRM31A5C2J680JW01D	K22281230		1-	A	
C 5313	CHIP CAP.	47pF	630V	C0G	GRM31A5C2J470JW01D	K22281228		1-	A	
C 5314	CHIP CAP.	1000pF	630V	C0G	GRM31B5C2J102JW01L	K22281244		1-	A	
C 5316	CHIP CAP.	120pF	630V	C0G	GRM31A5C2J121JW01D	K22281233		1-	A	
C 5318	CHIP CAP.	47pF	630V	C0G	GRM31A5C2J470JW01D	K22281228		1-	A	

PA Unit (FTDX101D)

Parts List

REF	DESCRIPTION	VALUE	V/W	TOL.	MFR'S DESIG	YAESU P/N	VERS.	LOT	SIDE	LAY ADR
C 5319	CHIP CAP.	12pF	630V	C0G	GRM31A5C2J120JW01D	K22281221		1-	A	
C 5320	CHIP CAP.	15pF	630V	C0G	GRM31A5C2J150JW01D	K22281222		1-	A	
C 5321	CHIP CAP.	12pF	630V	C0G	GRM31A5C2J120JW01D	K22281221		1-	A	
C 5324	CHIP CAP.	6pF	250V	C0G	GQM2195C2E6R0DB12D	K22240249		1-	A	
C 5325	CHIP CAP.	15pF	630V	C0G	GRM31A5C2J150JW01D	K22281222		1-	A	
C 5328	CHIP CAP.	100pF	630V	C0G	GRM31A5C2J101JW01D	K22281232		1-	A	
C 5329	CHIP CAP.	82pF	630V	C0G	GRM31A5C2J820JW01D	K22281231		1-	A	
C 5330	CHIP CAP.	560pF	630V	C0G	GRM31A5C2J561JW01D	K22281241		1-	A	
C 5331	CHIP CAP.	470pF	630V	C0G	GRM31A5C2J471JW01D	K22281240		1-	A	
C 5332	CHIP CAP.	180pF	630V	C0G	GRM31A5C2J181JW01D	K22281235		1-	A	
C 5333	CHIP CAP.	100pF	630V	C0G	GRM31A5C2J101JW01D	K22281232		1-	A	
C 5334	CHIP CAP.	82pF	630V	C0G	GRM31A5C2J820JW01D	K22281231		1-	A	
C 5335	CHIP CAP.	100pF	500V	CH	GQM22M5C2H101JB01L	K22273276		1-	A	
C 5336	CHIP CAP.	100pF	630V	C0G	GRM31A5C2J101JW01D	K22281232		1-	A	
C 5337	CHIP CAP.	47pF	630V	C0G	GRM31A5C2J470JW01D	K22281228		1-	A	
C 5338	CHIP CAP.	100pF	630V	C0G	GRM31A5C2J101JW01D	K22281232		1-	A	
C 5339	CHIP CAP.	68pF	630V	C0G	GRM31A5C2J680JW01D	K22281230		1-	A	
C 5341	CHIP CAP.	1000pF	630V	C0G	GRM31B5C2J102JW01L	K22281244		1-	A	
C 5343	CHIP CAP.	180pF	630V	C0G	GRM31A5C2J181JW01D	K22281235		1-	A	
C 5344	CHIP CAP.	22pF	630V	C0G	GRM31A5C2J220JW01D	K22281224		1-	A	
C 5345	CHIP CAP.	120pF	630V	C0G	GRM31A5C2J121JW01D	K22281233		1-	A	
C 5346	CHIP CAP.	56pF	630V	C0G	GRM31A5C2J560JW01D	K22281229		1-	A	
C 5348	CHIP CAP.	15pF	630V	C0G	GRM31A5C2J150JW01D	K22281222		1-	A	
C 5349	CHIP CAP.	27pF	630V	C0G	GRM31A5C2J270JW01D	K22281225		1-	A	
C 5350	CHIP CAP.	15pF	630V	C0G	GRM31A5C2J150JW01D	K22281222		1-	A	
C 5353	CHIP CAP.	560pF	630V	C0G	GRM31A5C2J561JW01D	K22281241		1-	A	
C 5354	CHIP CAP.	470pF	630V	C0G	GRM31A5C2J471JW01D	K22281240		1-	A	
C 5355	CHIP CAP.	150pF	630V	C0G	GRM31A5C2J151JW01D	K22281234		1-	A	
C 5356	CHIP CAP.	180pF	630V	C0G	GRM31A5C2J181JW01D	K22281235		1-	A	
C 5357	CHIP CAP.	82pF	630V	C0G	GRM31A5C2J820JW01D	K22281231		1-	A	
C 5358	CHIP CAP.	100pF	500V	CH	GQM22M5C2H101JB01L	K22273276		1-	A	
C 5359	CHIP CAP.	1000pF	630V	C0G	GRM31B5C2J102JW01L	K22281244		1-	A	
C 5360	CHIP CAP.	270pF	630V	C0G	GRM31A5C2J271JW01D	K22281237		1-	A	
C 5361	CHIP CAP.	220pF	630V	C0G	GRM31A5C2J221JW01D	K22281236		1-	A	
C 5362	CHIP CAP.	560pF	630V	C0G	GRM31A5C2J561JW01D	K22281241		1-	A	
C 5363	CHIP CAP.	33pF	630V	C0G	GRM31A5C2J330JW01D	K22281226		1-	A	
C 5364	CHIP CAP.	120pF	630V	C0G	GRM31A5C2J121JW01D	K22281233		1-	A	
C 5365	CHIP CAP.	15pF	630V	C0G	GRM31A5C2J150JW01D	K22281222		1-	A	
C 5366	CHIP CAP.	68pF	630V	C0G	GRM31A5C2J680JW01D	K22281230		1-	A	
C 5368	CHIP CAP.	150pF	630V	C0G	GRM31A5C2J151JW01D	K22281234		1-	A	
C 5369	CHIP CAP.	330pF	630V	C0G	GRM31A5C2J331JW01D	K22281238		1-	A	
C 5371	CHIP CAP.	120pF	630V	C0G	GRM31A5C2J121JW01D	K22281233		1-	A	
C 5372	CHIP CAP.	27pF	630V	C0G	GRM31A5C2J270JW01D	K22281225		1-	A	
C 5373	CHIP CAP.	27pF	630V	C0G	GRM31A5C2J270JW01D	K22281225		1-	A	
C 5374	CHIP CAP.	39pF	630V	C0G	GRM31A5C2J390JW01D	K22281227		1-	A	
C 5376	CHIP CAP.	33pF	630V	C0G	GRM31A5C2J330JW01D	K22281226		1-	A	
C 5378	CHIP CAP.	12pF	630V	C0G	GRM31A5C2J120JW01D	K22281221		1-	A	
C 5379	CHIP CAP.	5pF	250V	C0G	GQM2195C2E5R0CB12D	K22240248		1-	A	
C 5380	CHIP CAP.	1000pF	630V	C0G	GRM31B5C2J102JW01L	K22281244		1-	A	
C 5381	CHIP CAP.	470pF	630V	C0G	GRM31A5C2J471JW01D	K22281240		1-	A	
C 5382	CHIP CAP.	150pF	630V	C0G	GRM31A5C2J151JW01D	K22281234		1-	A	
C 5383	CHIP CAP.	100pF	630V	C0G	GRM31A5C2J101JW01D	K22281232		1-	A	
C 5384	CHIP CAP.	33pF	630V	C0G	GRM31A5C2J330JW01D	K22281226		1-	A	
C 5385	CHIP CAP.	33pF	630V	C0G	GRM31A5C2J330JW01D	K22281226		1-	A	
C 5386	CHIP CAP.	56pF	630V	C0G	GRM31A5C2J560JW01D	K22281229		1-	A	
C 5387	CHIP CAP.	680pF	630V	C0G	GRM31B5C2J681JW01L	K22281242		1-	A	
C 5395	CHIP CAP.	0.01uF	50V	X7R	GRM155R71H103KA88D	K22178848		1-	A	
C 5396	AL.ELECTRO.CAP.	47uF	35V		EEE1VA470WP	K48160005		1-	A	
C 5397	CHIP CAP.	0.018uF	25V	B	GRM155B11E183KA61D	K22148835		1-	A	
C 5398	CHIP CAP.	0.018uF	25V	B	GRM155B11E183KA61D	K22148835		1-	A	
C 5399	CHIP CAP.	0.018uF	25V	B	GRM155B11E183KA61D	K22148835		1-	A	
C 5400	CHIP CAP.	0.018uF	25V	B	GRM155B11E183KA61D	K22148835		1-	A	
C 5401	CHIP CAP.	0.018uF	25V	B	GRM155B11E183KA61D	K22148835		1-	A	
C 5402	CHIP CAP.	0.018uF	25V	B	GRM155B11E183KA61D	K22148835		1-	A	
C 5403	CHIP CAP.	0.018uF	25V	B	GRM155B11E183KA61D	K22148835		1-	A	
C 5433	AL.ELECTRO.CAP.	220uF	16V		EMVA160ADA221MF80G	K48120021		1-	A	
C 5435	CHIP CAP.	0.01uF	50V	X7R	GRM155R71H103KA88D	K22178848		1-	A	
C 5437	CHIP CAP.	0.01uF	50V	X7R	GRM155R71H103KA88D	K22178848		1-	A	
C 5438	CHIP CAP.	0.01uF	50V	X7R	GRM155R71H103KA88D	K22178848		1-	A	
C 5439	CHIP CAP.	0.1uF	50V	X7R	GRM155R71H104KE14D	K22178872		1-	A	
C 5445	CHIP CAP.	0.1uF	50V	X7R	GRM155R71H104KE14D	K22178872		1-	A	
C 5448	AL.ELECTRO.CAP.	10uF	35V		EEE1VA100WR	K48160006		1-	A	
C 5449	CHIP CAP.	0.1uF	50V	X7R	GRM155R71H104KE14D	K22178872		1-	A	
C 5450	CHIP CAP.	0.001uF	50V	B	GRM155B11H102KA01D	K22178809		1-	A	
C 5451	CHIP CAP.	0.01uF	50V	X7R	GRM155R71H103KA88D	K22178848		1-	A	

PA Unit (FTDX101D)

Parts List

REF	DESCRIPTION	VALUE	V/W	TOL.	MFR'S DESIG	YAESU P/N	VERS.	LOT	SIDE	LAY ADR
C 5452	CHIP CAP.	0.1uF	50V	X7R	GRM155R71H104KE14D	K22178872		1-	A	
C 5460	CHIP CAP.	0.1uF	50V	X7R	GRM155R71H104KE14D	K22178872		1-	A	
C 5461	CHIP CAP.	0.001uF	50V	B	GRM155B11H102KA01D	K22178809		1-	A	
C 5462	CHIP CAP.	7pF	50V	CH	GRM1552C1H7R0DA01D	K22178209		1-	A	
C 5464	CHIP CAP.	39pF	50V	CH	GRM1552C1H390JA01D	K22178226		1-	A	
C 5465	CHIP CAP.	220pF	50V	CH	GRM1552C1H221JA01D	K22179713		1-	A	
C 5466	CHIP CAP.	7pF	50V	CH	GRM1552C1H7R0DA01D	K22178209		1-	A	
C 5468	CHIP CAP.	0.1uF	50V	X7R	GRM155R71H104KE14D	K22178872		1-	A	
C 5469	CHIP CAP.	0.1uF	50V	X7R	GRM155R71H104KE14D	K22178872		1-	A	
C 5470	CHIP CAP.	0.001uF	50V	B	GRM155B11H102KA01D	K22178809		1-	A	
C 5471	CHIP CAP.	0.001uF	50V	B	GRM155B11H102KA01D	K22178809		1-	A	
C 5472	CHIP CAP.	0.1uF	50V	X7R	GRM155R71H104KE14D	K22178872		1-	A	
C 5473	CHIP CAP.	0.001uF	50V	B	GRM155B11H102KA01D	K22178809		1-	A	
C 5474	CHIP CAP.	0.1uF	50V	X7R	GRM155R71H104KE14D	K22178872		1-	A	
C 5475	CHIP CAP.	0.001uF	50V	B	GRM155B11H102KA01D	K22178809		1-	A	
C 5476	AL.ELECTRO.CAP.	1000uF	25V		25CE1000BS	K48140025		1-	A	
C 5479	CHIP CAP.	0.018uF	25V	B	GRM155B11E183KA61D	K22148835		1-	A	
C 5480	CHIP CAP.	0.01uF	50V	X7R	GRM155R71H103KA88D	K22178848		1-	A	
C 5481	CHIP TA.CAP.	10uF	16V		TMCMA1C106MTRF	K78120077		1-	A	
C 5482	CHIP CAP.	0.01uF	50V	X7R	GRM155R71H103KA88D	K22178848		1-	A	
C 5483	AL.ELECTRO.CAP.	100uF	25V		UWT1E101MCL1GS	K48140032		1-	A	
D 5001	DIODE				RSX101VA-30TR	G2070984		1-	A	
D 5002	DIODE				RN142S TE61	G2070994		1-	A	
D 5003	DIODE				RN142S TE61	G2070994		1-	A	
D 5004	DIODE				RN142S TE61	G2070994		1-	A	
D 5005	DIODE				RN142S TE61	G2070994		1-	A	
D 5006	DIODE				RSX101VA-30TR	G2070984		1-	A	
D 5008	DIODE				RN142S TE61	G2070994		1-	A	
D 5009	DIODE				RN142S TE61	G2070994		1-	A	
D 5010	DIODE				RN142S TE61	G2070994		1-	A	
D 5011	DIODE				RN142S TE61	G2070994		1-	A	
D 5012	DIODE				RSX101VA-30TR	G2070984		1-	A	
D 5013	DIODE				BAS316	G2070716		1-	A	
D 5014	DIODE				DAN202U T106	G2070162		1-	A	
D 5015	DIODE				1SS400 TE61	G2070634		1-	A	
D 5016	DIODE				1SS400 TE61	G2070634		1-	A	
D 5017	DIODE				1SS400 TE61	G2070634		1-	A	
D 5018	DIODE				DAN202U T106	G2070162		1-	A	
D 5019	DIODE				1SS400 TE61	G2070634		1-	A	
D 5020	DIODE				1SS400 TE61	G2070634		1-	A	
D 5021	DIODE				BAS316	G2070716		1-	A	
D 5022	DIODE				BAS316	G2070716		1-	A	
D 5024	DIODE				BAS316	G2070716		1-	A	
D 5025	DIODE				BAS316	G2070716		1-	A	
D 5026	DIODE				BAS316	G2070716		1-	A	
D 5027	DIODE				BAS316	G2070716		1-	A	
D 5028	DIODE				BAS316	G2070716		1-	A	
D 5029	DIODE				BAS316	G2070716		1-	A	
D 5030	DIODE				BAS316	G2070716		1-	A	
D 5033	DIODE				BAS316	G2070716		1-	A	
D 5034	DIODE				1SS389(TPL3.F)	G2070608		1-	A	
FB5001	FERRITE BEADS				BLM18BD601SN1D	L9190143		1-	A	
FB5002	FERRITE BEADS				BLM18BD601SN1D	L9190143		1-	A	
FB5005	FERRITE BEADS				FBMH3225HM102NT	L9190173		1-	A	
FB5006	RFC WITH BEADS				3A RI5.8X6.4-2	L1020729		1-	A	
FB5007	FERRITE BEADS				BLM18BD601SN1D	L9190143		1-	A	
J 5001	CONNECTOR				U.FL-R-SMT(10)	P1091155		1-	A	
J 5002	CONNECTOR				24FLT-SM2-TB(LF)(SN)(M)	P1091128		1-	A	
J 5003	CONNECTOR				SC25-12WS	P0090631		1-	A	
J 5004	CONNECTOR				IMSA-9202B-1-02-T	P0091174		1-	A	
J 5005	CONNECTOR				IMSA-9202B-1-02-T	P0091174		1-	A	
J 5006	CONNECTOR				B3B-XH-A(LF)(SN)	P0091413		1-	A	
J 5007	CONNECTOR				TMPR-S SJ050010	P1091616		1-	A	
J 5008	CONNECTOR				SB20-03WS	P0090610		1-	A	
L 5001	M.RFC	1000uH			LLM3225-102J	L1691157		1-	A	
L 5003	M.RFC	22uH			LK2125 220M-T	L1690335		1-	A	
L 5004	M.RFC	4.7uH			LK2125 4R7K-T	L1690327		1-	A	
L 5005	M.RFC	0.47uH			LK2125 R47K-T	L1690315		1-	A	
L 5006	M.RFC	0.47uH			LK2125 R47K-T	L1690315		1-	A	
L 5007	M.RFC	1.5uH			LK2125 1R5K-T	L1690321		1-	A	
L 5008	M.RFC	0.47uH			LK2125 R47K-T	L1690315		1-	A	
L 5009	M.RFC	0.68uH			LK2125 R68K-T	L1690317		1-	A	
L 5010	M.RFC	0.18uH			LK2125 R18K-T	L1690310		1-	A	
L 5011	M.RFC	6.8uH			MLF2012E6R8K000	L1692058		1-	A	
L 5012	M.RFC	1.5uH			LK2125 1R5K-T	L1690321		1-	A	

PA Unit (FTDX101D)

Parts List

REF	DESCRIPTION	VALUE	V/W	TOL.	MFR'S DESIG	YAESU P/N	VERS.	LOT	SIDE	LAY ADR
L 5013	M.RFC	0.15uH			LQM21NNR15K10D	L1692056		1-	A	
L 5014	M.RFC	0.15uH			LQM21NNR15K10D	L1692056		1-	A	
L 5015	CHIP COIL	39uH		5%	NLV25T-390J-PF	L1691443		1-	A	
L 5016	M.RFC	1.5uH			LK2125 1R5K-T	L1690321		1-	A	
L 5017	M.RFC	0.47uH			LK2125 R47K-T	L1690315		1-	A	
L 5018	M.RFC	0.68uH			LK2125 R68K-T	L1690317		1-	A	
L 5019	M.RFC	0.18uH			LK2125 R18K-T	L1690310		1-	A	
L 5020	M.RFC	22uH			LK2125 220M-T	L1690335		1-	A	
L 5021	M.RFC	4.7uH			LK2125 4R7K-T	L1690327		1-	A	
L 5022	M.RFC	0.47uH			LK2125 R47K-T	L1690315		1-	A	
L 5023	M.RFC	0.47uH			LK2125 R47K-T	L1690315		1-	A	
L 5024	CHIP COIL	39uH		5%	NLV25T-390J-PF	L1691443		1-	A	
L 5025	M.RFC	1000uH			LLM3225-102J	L1691157		1-	A	
L 5026	M.RFC	10uH			CDRH74-100MC	L1690599		1-	A	
L 5027	TOROIDAL COIL	6uH			N8C T10.9X5.8X4.7	L0023192		1-	A	
L 5030	TOROIDAL COIL	1.75uH			ERLA229	L0023216		1-	A	
L 5031	TOROIDAL COIL	1.39uH			1.39U T50-6	L0022970		1-	A	
L 5032	TOROIDAL COIL	0.383uH			ERLA224	L0023232		1-	A	
L 5033	TOROIDAL COIL	0.42uH			0.42U T50-6	L0022971		1-	A	
L 5034	TOROIDAL COIL	0.305uH			ERLA220	L0023296		1-	A	
L 5035	COIL B1				ERSD118	L0023338		1-	A	
L 5036	TOROIDAL COIL	4.13uH			ERLA241	L0023340		1-	A	
L 5037	TOROIDAL COIL	1.04uH			ERLA227	L0023256		1-	A	
L 5038	TOROIDAL COIL	0.44uH			ERLA222	L0023294		1-	A	
L 5039	TOROIDAL COIL	0.35uH			0.35U T68-6	L0022951		1-	A	
L 5040	TOROIDAL COIL	0.21uH			ERLA218	L0023298		1-	A	
L 5041	COIL F1				ERSD117	L0023336		1-	A	
L 5042	TOROIDAL COIL	3.67uH			3.67U T68-2	L0022907		1-	A	
L 5043	TOROIDAL COIL	1.13uH			ERLA228	L0023246		1-	A	
L 5044	TOROIDAL COIL	1.04uH			ERLA227	L0023256		1-	A	
L 5045	TOROIDAL COIL	0.578uH			ERLA225	L0023234		1-	A	
L 5046	TOROIDAL COIL	0.305uH			ERLA220	L0023296		1-	A	
L 5047	TOROIDAL COIL	0.21uH			ERLA218	L0023298		1-	A	
L 5048	COIL A1				ERSD116-1	L0023334		1-	A	
L 5049	CHIP COIL	2.7uH		2%	C2520C-2R7G-RA	L1691314		1-	A	
L 5053	CHIP COIL	0.39uH		2%	C2520C-R39G-RA	L1691301		1-	A	
L 5054	M.RFC	0.0082uH			C2012C-8N2M	L1690664		1-	A	
L 5055	CHIP COIL	0.39uH		2%	C2520C-R39G-RA	L1691301		1-	A	
L 5056	M.RFC	39uH		5%	1812LS-393XJLC	L1691490		1-	A	
P 5001	CONNECTOR				IMSA-9206H-T	P1090988		1-		
P 5002	CONNECTOR				IMSA-9206H-T	P1090988		1-		
P 5003	WIRE ASSY				AH025H-110MM4P	T9207317A		1-		
Q 5003	IC				KIA7808API	G1093164		1-	A	
Q 5005	TRANSISTOR				2SC4081 T106	G3340818		1-	A	
Q 5006	IC				KIA7805API	G1093163		1-	A	
Q 5007	IC				LM2902PWR	G1094009		1-	A	
Q 5008	FET				RD06HHF1-501	G3090172		1-	A	
Q 5010	TRANSISTOR				UMD5N TR	G3070343		1-	A	
Q 5011	FET				RD15HVF1-501	G3070556		1-	A	
Q 5012	TRANSISTOR				DTC123JE TL	G3070323		1-	A	
Q 5013	TRANSISTOR				DTC114EUA T106	G3070084		1-	A	
Q 5014	TRANSISTOR				UMD5N TR	G3070343		1-	A	
Q 5015	TRANSISTOR				UMD5N TR	G3070343		1-	A	
Q 5016	FET				RD100HHF1C-501	G3090168		1-	A	
Q 5017	FET				RD100HHF1C-501	G3090168		1-	A	
Q 5018	TRANSISTOR				DTC114EUA T106	G3070084		1-	A	
Q 5019	TRANSISTOR				UMD5N TR	G3070343		1-	A	
Q 5020	TRANSISTOR				2SC4081 T106	G3340818		1-	A	
Q 5021	TRANSISTOR				DTC114EUA T106	G3070084		1-	A	
Q 5022	TRANSISTOR				2SB1182-TLQ	G3070063		1-	A	
Q 5023	TRANSISTOR				UMD5N TR	G3070343		1-	A	
Q 5024	TRANSISTOR				UMD5N TR	G3070343		1-	A	
Q 5025	IC				TA75S01F(TE85R.F)	G1091593		1-	A	
Q 5026	TRANSISTOR				DTC114EUA T106	G3070084		1-	A	
Q 5027	TRANSISTOR				UMD5N TR	G3070343		1-	A	
Q 5028	TRANSISTOR				UMD5N TR	G3070343		1-	A	
Q 5029	TRANSISTOR				DTD123YK T146	G3070157		1-	A	
Q 5031	TRANSISTOR				UMD5N TR	G3070343		1-	A	
Q 5032	IC				LM2902PWR	G1094009		1-	A	
Q 5033	IC				BGA616H6327XTSA1	G1095085		1-	A	
R 5001	CHIP RES.	0	1/16W	5%	RMC1/16 000JATP	J24185000		1-	A	
R 5009	CHIP RES.	470	1/16W	1%	RMC1/16 471FTP	J24183471		1-	A	
R 5011	CHIP RES.	0	1/16W	5%	RMC1/16 000JATP	J24185000		1-	A	
R 5018	CHIP RES.	2.2k	1/16W	5%	RMC1/16 222JATP	J24185222		1-	A	
R 5020	CHIP RES.	330	1/10W	5%	RMC1/10T 331J	J24205331		1-	A	

PA Unit (FTDX101D)

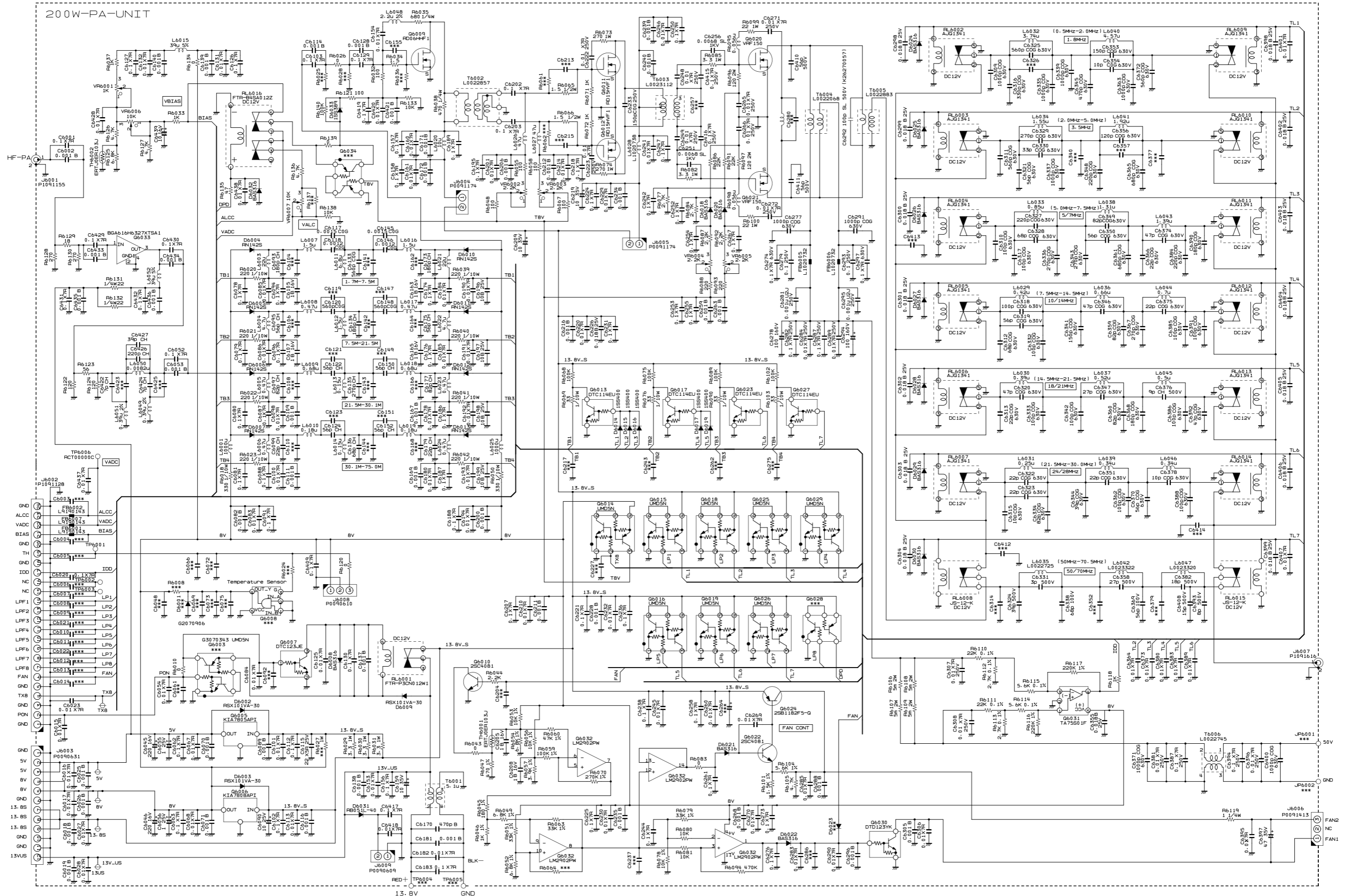
Parts List

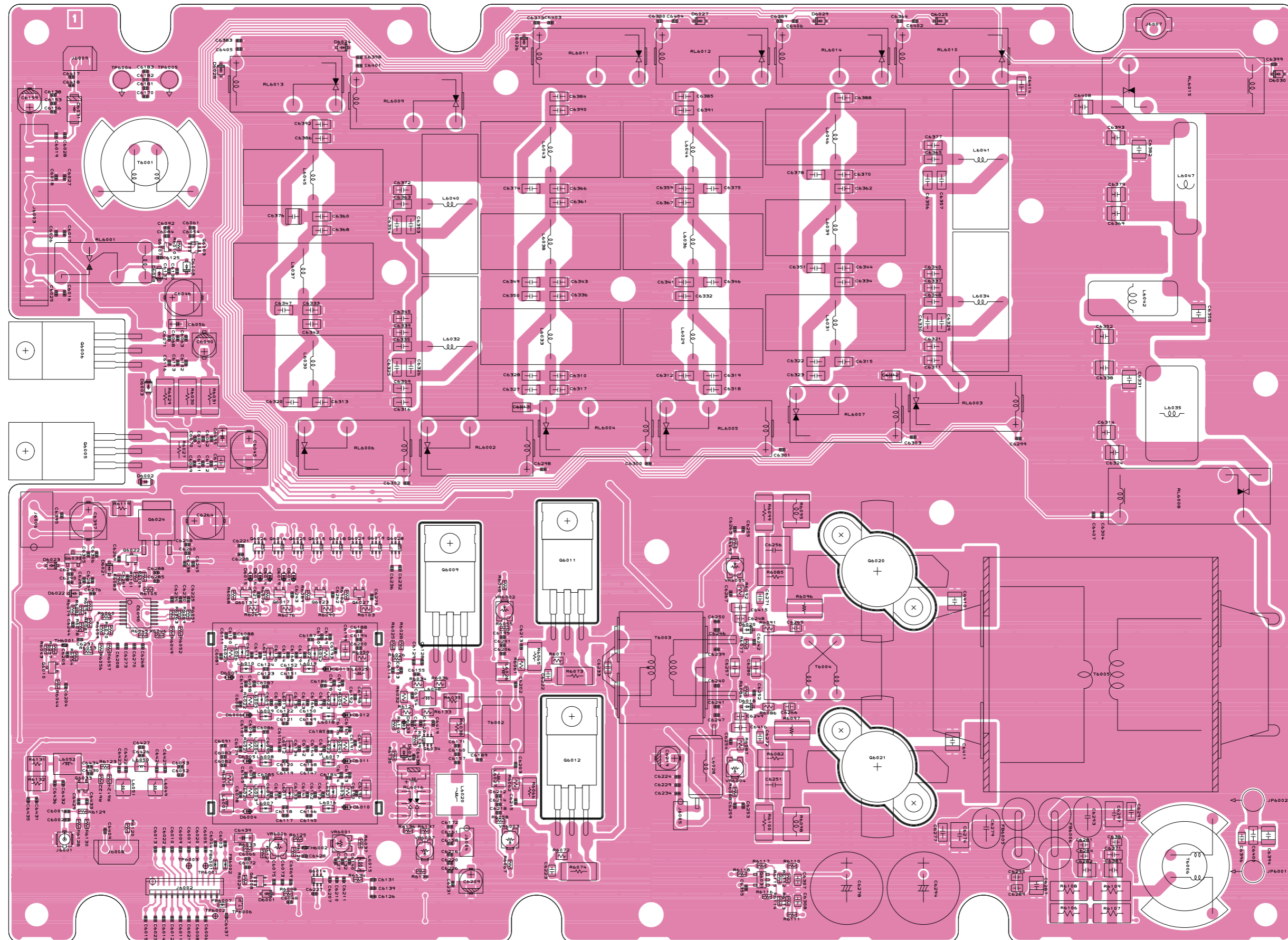
REF	DESCRIPTION	VALUE	V/W	TOL.	MFR'S DESIG	YAESU P/N	VERS.	LOT	SIDE	LAY ADR
R 5022	CHIP RES.	220	1/10W	5%	RMC1/10T 221J	J24205221		1-	A	
R 5023	CHIP RES.	220	1/10W	5%	RMC1/10T 221J	J24205221		1-	A	
R 5024	CHIP RES.	220	1/10W	5%	RMC1/10T 221J	J24205221		1-	A	
R 5025	CHIP RES.	220	1/10W	5%	RMC1/10T 221J	J24205221		1-	A	
R 5026	CHIP RES.	10k	1/16W	1%	RMC1/16 103FTP	J24183103		1-	A	
R 5027	CHIP RES.	6.8k	1/16W	1%	RMC1/16 682FTP	J24183682		1-	A	
R 5028	CHIP RES.	10k	1/16W	1%	RMC1/16 103FTP	J24183103		1-	A	
R 5029	CHIP RES.	3.9k	1/16W	1%	RMC1/16 392FTP	J24183392		1-	A	
R 5030	CHIP RES.	100k	1/16W	1%	RMC1/16 104FTP	J24183104		1-	A	
R 5031	CHIP RES.	47k	1/16W	1%	RMC1/16 473FTP	J24183473		1-	A	
R 5032	CHIP RES.	1k	1/16W	5%	RMC1/16 102JATP	J24185102		1-	A	
R 5033	CHIP RES.	4.7k	1/16W	5%	RMC1/16 472JATP	J24185472		1-	A	
R 5034	CHIP RES.	6.8k	1/16W	5%	RMC1/16 682JATP	J24185682		1-	A	
R 5035	CHIP RES.	47	1/10W	5%	RMC1/10T 470J	J24205470		1-	A	
R 5036	CHIP RES.	47k	1/16W	5%	RMC1/16 473JATP	J24185473		1-	A	
R 5037	CHIP RES.	270k	1/16W	1%	RMC1/16 274FTP	J24183274		1-	A	
R 5038	CHIP RES.	100	1/10W	5%	RMC1/10T 101J	J24205101		1-	A	
R 5039	CHIP RES.	180	1/16W	1%	RMC1/16 181FTP	J24183181		1-	A	
R 5041	CHIP RES.	47	1/10W	5%	RMC1/10T 470J	J24205470		1-	A	
R 5042	CHIP RES.	1k	1/16W	1%	RMC1/16 102FTP	J24183102		1-	A	
R 5043	CHIP RES.	33k	1/16W	1%	RMC1/16 333FTP	J24183333		1-	A	
R 5044	CHIP RES.	6.8k	1/16W	1%	RMC1/16 682FTP	J24183682		1-	A	
R 5046	CHIP RES.	6.8k	1/16W	1%	RMC1/16 682FTP	J24183682		1-	A	
R 5047	CHIP RES.	3.3	1W	5%	RMC1 3R3JTE	J24305339		1-	A	
R 5048	CHIP RES.	3.3	1W	5%	RMC1 3R3JTE	J24305339		1-	A	
R 5049	CHIP RES.	3.3	1W	5%	RMC1 3R3JTE	J24305339		1-	A	
R 5050	CHIP RES.	33k	1/16W	1%	RMC1/16 333FTP	J24183333		1-	A	
R 5052	CHIP RES.	220	1/16W	5%	RMC1/16 221JATP	J24185221		1-	A	
R 5053	CHIP RES.	220	1/10W	5%	RMC1/10T 221J	J24205221		1-	A	
R 5054	CHIP RES.	220	1/10W	5%	RMC1/10T 221J	J24205221		1-	A	
R 5055	CHIP RES.	220	1/10W	5%	RMC1/10T 221J	J24205221		1-	A	
R 5056	CHIP RES.	220	1/10W	5%	RMC1/10T 221J	J24205221		1-	A	
R 5058	CHIP RES.	100	1/4W	5%	RMC1/4 101JATP	J24245101		1-	A	
R 5059	CHIP RES.	330	1/10W	5%	RMC1/10T 331J	J24205331		1-	A	
R 5060	CHIP RES.	10	1/16W	5%	RMC1/16 100JATP	J24185100		1-	A	
R 5061	CHIP RES.	220	1/2W	5%	RMC1/2 221JCTP	J24275221		1-	A	
R 5062	CHIP RES.	1k	1/16W	5%	RMC1/16 102JATP	J24185102		1-	A	
R 5064	CHIP RES.	100k	1/16W	5%	RMC1/16 104JATP	J24185104		1-	A	
R 5065	CHIP RES.	33	1/10W	5%	RMC1/10T 330J	J24205330		1-	A	
R 5066	CHIP RES.	100	1/10W	5%	RMC1/10T 101J	J24205101		1-	A	
R 5067	CHIP RES.	100	1/10W	5%	RMC1/10T 101J	J24205101		1-	A	
R 5068	CHIP RES.	1k	1/4W	5%	RMC1/4 102JATP	J24245102		1-	A	
R 5069	CHIP RES.	1.5	1W	5%	RMC1 1R5JTE	J24305159		1-	A	
R 5070	CHIP RES.	1.5	1W	5%	RMC1 1R5JTE	J24305159		1-	A	
R 5071	CHIP RES.	100	1/10W	5%	RMC1/10T 101J	J24205101		1-	A	
R 5072	CHIP RES.	100	1/10W	5%	RMC1/10T 101J	J24205101		1-	A	
R 5073	CHIP RES.	100k	1/16W	5%	RMC1/16 104JATP	J24185104		1-	A	
R 5074	CHIP RES.	33	1/10W	5%	RMC1/10T 330J	J24205330		1-	A	
R 5075	CHIP RES.	22	1W	5%	RMC1 220JTE	J24305220		1-	A	
R 5076	CHIP RES.	22	1W	5%	RMC1 220JTE	J24305220		1-	A	
R 5077	CHIP RES.	10k	1/16W	1%	RMC1/16 103FTP	J24183103		1-	A	
R 5078	CHIP RES.	33k	1/16W	1%	RMC1/16 333FTP	J24183333		1-	A	
R 5079	CHIP RES.	10k	1/16W	5%	RMC1/16 103JATP	J24185103		1-	A	
R 5080	CHIP RES.	10k	1/16W	5%	RMC1/16 103JATP	J24185103		1-	A	
R 5081	CHIP RES.	1k	1/4W	5%	RMC1/4 102JATP	J24245102		1-	A	
R 5082	CHIP RES.	1k	1/4W	5%	RMC1/4 102JATP	J24245102		1-	A	
R 5083	CHIP RES.	22	1W	5%	RMC1 220JTE	J24305220		1-	A	
R 5084	CHIP RES.	22	1W	5%	RMC1 220JTE	J24305220		1-	A	
R 5085	CHIP RES.	22	1W	5%	RMC1 220JTE	J24305220		1-	A	
R 5086	CHIP RES.	22	1W	5%	RMC1 220JTE	J24305220		1-	A	
R 5087	CHIP RES.	0.003	2W		TLR3AWDTE3L00F	J24339066		1-	A	
R 5088	CHIP RES.	0	1/16W	5%	RMC1/16 000JATP	J24185000		1-	A	
R 5089	CHIP RES.	10k	1/10W	0.1%	RR1220P-103-B	J24209098		1-	A	
R 5090	CHIP RES.	100k	1/16W	5%	RMC1/16 104JATP	J24185104		1-	A	
R 5091	CHIP RES.	33	1/10W	5%	RMC1/10T 330J	J24205330		1-	A	
R 5092	CHIP RES.	1.5k	1/10W	0.1%	RR1220P-152-B	J24209078		1-	A	
R 5093	CHIP RES.	470k	1/16W	5%	RMC1/16 474JATP	J24185474		1-	A	
R 5094	CHIP RES.	1.5k	1/10W	0.1%	RR1220P-152-B	J24209078		1-	A	
R 5095	CHIP RES.	0	1/16W	5%	RMC1/16 000JATP	J24185000		1-	A	
R 5096	CHIP RES.	1.5k	1/16W	1%	RMC1/16 152FTP	J24183152		1-	A	
R 5097	CHIP RES.	180k	1/10W	0.5%	RR1220P-184-D-C	J24209225		1-	A	
R 5098	CHIP RES.	1.5k	1/10W	0.1%	RR1220P-152-B	J24209078		1-	A	
R 5099	CHIP RES.	10k	1/10W	0.1%	RR1220P-103-B	J24209098		1-	A	
R 5100	CHIP RES.	100k	1/16W	5%	RMC1/16 104JATP	J24185104		1-	A	
R 5101	CHIP RES.	33	1/10W	5%	RMC1/10T 330J	J24205330		1-	A	

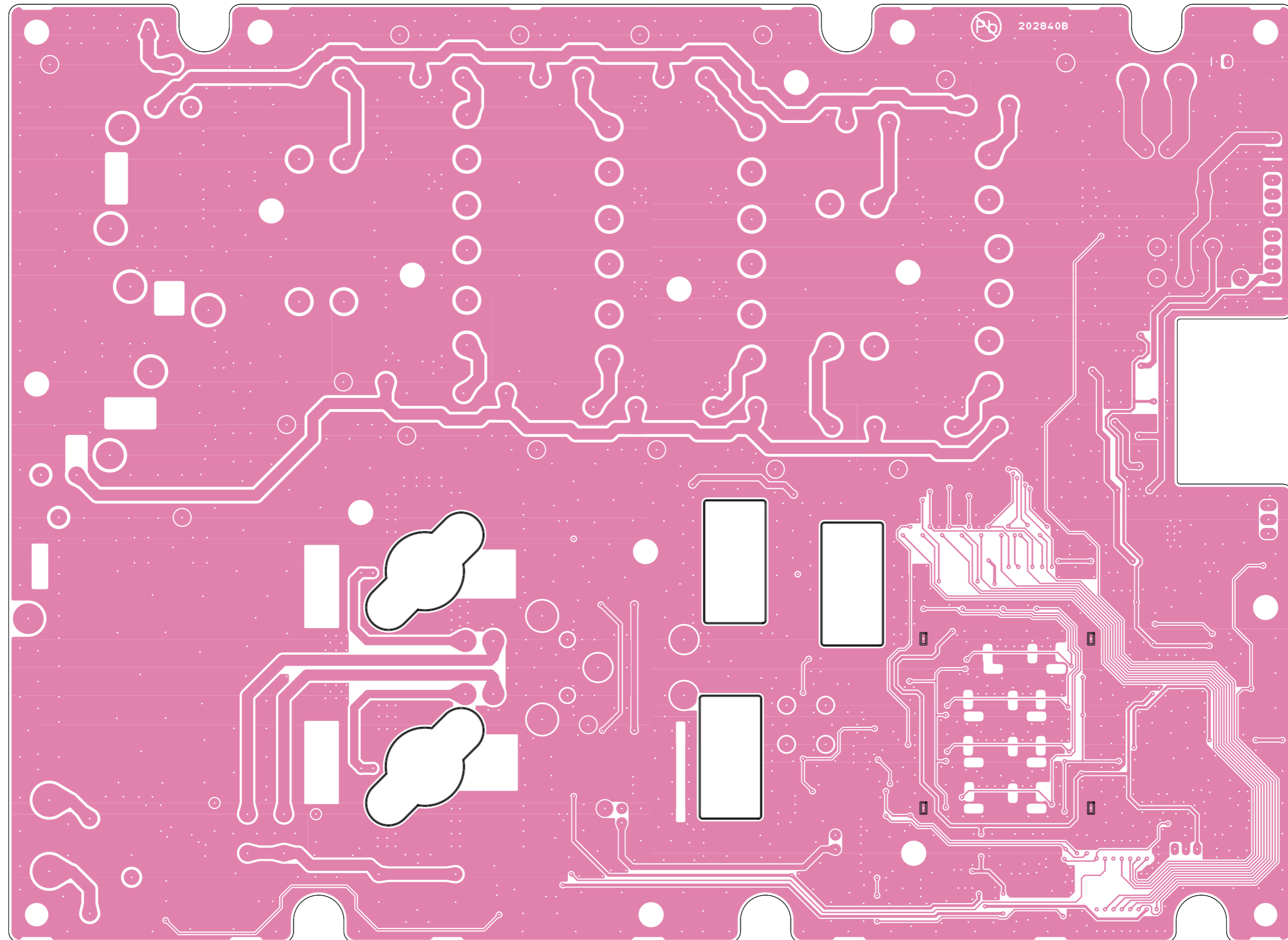
PA Unit (FTDX101D)

Parts List

REF	DESCRIPTION	VALUE	V/W	TOL.	MFR'S DESIG	YAESU P/N	VERS.	LOT	SIDE	LAY ADR
R 5102	CHIP RES.	5.6k	1/16W	1%	RMC1/16 562FTP	J24183562		1-	A	
R 5103	CHIP RES.	1.5k	1/10W	0.1%	RR1220P-152-B	J24209078		1-	A	
R 5105	CHIP RES.	4.7k	1/16W	5%	RMC1/16 472JATP	J24185472		1-	A	
R 5106	CHIP RES.	180k	1/10W	0.5%	RR1220P-184-D-C	J24209225		1-	A	
R 5107	CHIP RES.	1k	1/16W	5%	RMC1/16 102JATP	J24185102		1-	A	
R 5108	CHIP RES.	47	1/16W	5%	RMC1/16 470JATP	J24185470		1-	A	
R 5109	CHIP RES.	47	1/16W	5%	RMC1/16 470JATP	J24185470		1-	A	
R 5110	CHIP RES.	47	1/16W	5%	RMC1/16 470JATP	J24185470		1-	A	
R 5111	CHIP RES.	47	1/16W	5%	RMC1/16 470JATP	J24185470		1-	A	
R 5112	CHIP RES.	47	1/16W	5%	RMC1/16 470JATP	J24185470		1-	A	
R 5113	CHIP RES.	47	1/16W	5%	RMC1/16 470JATP	J24185470		1-	A	
R 5114	CHIP RES.	47	1/16W	5%	RMC1/16 470JATP	J24185470		1-	A	
R 5115	CHIP RES.	1	1/4W	5%	RMC1/4 1R0JATP	J24245010		1-	A	
R 5116	CHIP RES.	10k	1/16W	5%	RMC1/16 103JATP	J24185103		1-	A	
R 5120	CHIP RES.	0	1/16W	5%	RMC1/16 000JATP	J24185000		1-	A	
R 5122	CHIP RES.	10k	1/16W	5%	RMC1/16 103JATP	J24185103		1-	A	
R 5123	CHIP RES.	10k	1/16W	5%	RMC1/16 103JATP	J24185103		1-	A	
R 5124	CHIP RES.	100	1/16W	5%	RMC1/16 101JATP	J24185101		1-	A	
R 5125	CHIP RES.	0	1/2W	5%	RMC1/2 JPATE	J24275000		1-	A	
R 5126	CHIP RES.	0	1/2W	5%	RMC1/2 JPATE	J24275000		1-	A	
R 5127	CHIP RES.	0	1/2W	5%	RMC1/2 JPATE	J24275000		1-	A	
R 5128	CHIP RES.	100	1/16W	5%	RMC1/16 101JATP	J24185101		1-	A	
R 5129	CHIP RES.	0	1/16W	5%	RMC1/16 000JATP	J24185000		1-	A	
R 5132	CHIP RES.	100k	1/10W	5%	RMC1/10T 104J	J24205104		1-	A	
R 5133	CHIP RES.	4.7k	1/16W	5%	RMC1/16 472JATP	J24185472		1-	A	
R 5134	CHIP RES.	1k	1/16W	5%	RMC1/16 102JATP	J24185102		1-	A	
R 5136	CHIP RES.	0	1/16W	5%	RMC1/16 000JATP	J24185000		1-	A	
R 5138	CHIP RES.	120	1/16W	5%	RMC1/16 121JATP	J24185121		1-	A	
R 5139	CHIP RES.	56	1/16W	5%	RMC1/16 560JATP	J24185560		1-	A	
R 5140	CHIP RES.	120	1/16W	5%	RMC1/16 121JATP	J24185121		1-	A	
R 5143	CHIP RES.	22	1/4W	5%	RMC1/4 220JATP	J24245220		1-	A	
R 5145	CHIP RES.	47	1/16W	5%	RMC1/16 470JATP	J24185470		1-	A	
R 5146	CHIP RES.	10k	1/16W	5%	RMC1/16S 103JTH	J24189037		1-	A	
R 5147	CHIP RES.	4.7k	1/16W	5%	RMC1/16S 472JTH	J24189033		1-	A	
R 5148	CHIP RES.	0	1/16W	5%	RMC1/16S JPTH	J24189070		1-	A	
RL5001	RELAY		DC12V		FTR-P3CN012W1	M1190236		1-	A	
RL5002	RELAY		DC12V		FTR-B4SA012Z-B05	M1190209		1-	A	
RL5003	RELAY		DC12V		FTR-B4SA012Z-B05	M1190209		1-	A	
RL5004	RELAY		DC12V		FTR-B4SA012Z-B05	M1190209		1-	A	
RL5005	RELAY		DC12V		FTR-B4SA012Z-B05	M1190209		1-	A	
RL5006	RELAY		DC12V		FTR-B4SA012Z-B05	M1190209		1-	A	
RL5007	RELAY		DC12V		FTR-B4SA012Z-B05	M1190209		1-	A	
RL5008	RELAY		DC12V		FTR-B4SA012Z-B05	M1190209		1-	A	
RL5009	RELAY		DC12V		FTR-B4SA012Z-B05	M1190209		1-	A	
RL5010	RELAY		DC12V		FTR-B4SA012Z-B05	M1190209		1-	A	
RL5011	RELAY		DC12V		FTR-B4SA012Z-B05	M1190209		1-	A	
RL5012	RELAY		DC12V		FTR-B4SA012Z-B05	M1190209		1-	A	
RL5013	RELAY		DC12V		FTR-B4SA012Z-B05	M1190209		1-	A	
RL5014	RELAY		DC12V		FTR-B4SA012Z-B05	M1190209		1-	A	
RL5015	RELAY		DC12V		FTR-B4SA012Z-B05	M1190209		1-	A	
RL5017	RELAY		DC12V		FTR-B4SA012Z-B05	M1190209		1-	A	
T 5001	TOROIDAL COIL	5.1uH			ERL9608	L0023250		1-	A	
T 5002	BALUN TRANSFORMERS				180491067	L0023342		1-	A	
T 5003	COIL PWR-WIDE				3A5 RIB10X20X10 1T/1T	L0023282		1-	A	
T 5004	COIL PWR-WIDE				D12A RIB16X32X22	L0023318		1-	A	
TH5002	THERMISTOR				ERTJ0ER103J	G9090119		1-	A	
TH5003	THERMISTOR				ERTJ0ER103J	G9090119		1-	A	
TP5010	CHECK TERMINAL				RCTCTE	Q5000103		1-	A	
VR5001	POT.	1k			VG039NCHXTB102	J51846102		1-	A	
VR5002	POT.	2.2k			VG039NCHXTB222	J51846222		1-	A	
VR5003	POT.	2.2k			VG039NCHXTB222	J51846222		1-	A	
VR5004	POT.	2.2k			VG039NCHXTB222	J51846222		1-	A	
VR5005	POT.	10k			VG039NCHXTB103	J51846103		1-	A	
VR5006	POT.	10k			VG039NCHXTB103	J51846103		1-	A	
	SHIELD CASE HEATSINK				(19x25)	RA6068800 RA6265700		1- 1		







200W-PA Unit (FTDX101MP)

Parts List

REF	DESCRIPTION	VALUE	V/W	TOL.	MFR'S DESIG	YAESU P/N	VERS.	LOT	SIDE	LAY ADR
C 6001	CHIP CAP.	0.1uF	50V	X7R	GRM155R71H104KE14D	K22178872		1-	A	
C 6002	CHIP CAP.	0.001uF	50V	B	GRM155B11H102KA01D	K22178809		1-	A	
C 6015	CHIP CAP.	0.01uF	50V	X7R	GRM155R71H103KA88D	K22178848		1-	A	
C 6016	CHIP CAP.	0.01uF	50V	X7R	GRM155R71H103KA88D	K22178848		1-	A	
C 6017	CHIP CAP.	0.01uF	50V	X7R	GRM155R71H103KA88D	K22178848		1-	A	
C 6018	CHIP CAP.	0.001uF	50V	B	GRM155B11H102KA01D	K22178809		1-	A	
C 6019	CHIP CAP.	0.001uF	50V	B	GRM155B11H102KA01D	K22178809		1-	A	
C 6020	CHIP CAP.	0.1uF	50V	X7R	GRM155R71H104KE14D	K22178872		1-	A	
C 6023	CHIP CAP.	0.01uF	50V	X7R	GRM155R71H103KA88D	K22178848		1-	A	
C 6025	CHIP CAP.	0.001uF	50V	B	GRM155B11H102KA01D	K22178809		1-	A	
C 6026	CHIP CAP.	0.001uF	50V	B	GRM155B11H102KA01D	K22178809		1-	A	
C 6027	CHIP CAP.	0.01uF	50V	X7R	GRM155R71H103KA88D	K22178848		1-	A	
C 6028	CHIP CAP.	0.01uF	50V	X7R	GRM155R71H103KA88D	K22178848		1-	A	
C 6045	AL.ELECTRO.CAP.	220uF	16V		EMVA160ADA221MF80G	K48120021		1-	A	
C 6046	AL.ELECTRO.CAP.	220uF	16V		EMVA160ADA221MF80G	K48120021		1-	A	
C 6052	CHIP CAP.	0.1uF	50V	X7R	GRM155R71H104KE14D	K22178872		1-	A	
C 6053	CHIP CAP.	0.001uF	50V	B	GRM155B11H102KA01D	K22178809		1-	A	
C 6054	CHIP CAP.	0.01uF	50V	X7R	GRM155R71H103KA88D	K22178848		1-	A	
C 6055	CHIP TA.CAP.	1uF	25V		TMCMA1E105MTRF	K78140013		1-	A	
C 6056	CHIP TA.CAP.	1uF	25V		TMCMA1E105MTRF	K78140013		1-	A	
C 6062	CHIP CAP.	0.1uF	50V	X7R	GRM155R71H104KE14D	K22178872		1-	A	
C 6063	CHIP CAP.	0.1uF	50V	X7R	GRM155R71H104KE14D	K22178872		1-	A	
C 6067	CHIP CAP.	0.01uF	50V	X7R	GRM155R71H103KA88D	K22178848		1-	A	
C 6068	CHIP CAP.	0.01uF	50V	X7R	GRM155R71H103KA88D	K22178848		1-	A	
C 6070	CHIP CAP.	0.001uF	50V	B	GRM155B11H102KA01D	K22178809		1-	A	
C 6071	CHIP CAP.	0.001uF	50V	B	GRM155B11H102KA01D	K22178809		1-	A	
C 6078	CHIP CAP.	0.1uF	50V	X7R	GRM155R71H104KE14D	K22178872		1-	A	
C 6079	CHIP CAP.	0.1uF	50V	X7R	GRM155R71H104KE14D	K22178872		1-	A	
C 6080	CHIP CAP.	0.1uF	50V	X7R	GRM155R71H104KE14D	K22178872		1-	A	
C 6081	CHIP CAP.	0.1uF	50V	X7R	GRM155R71H104KE14D	K22178872		1-	A	
C 6082	CHIP CAP.	0.001uF	50V	B	GRM155B11H102KA01D	K22178809		1-	A	
C 6083	CHIP CAP.	0.01uF	50V	X7R	GRM155R71H103KA88D	K22178848		1-	A	
C 6084	CHIP CAP.	0.01uF	50V	X7R	GRM155R71H103KA88D	K22178848		1-	A	
C 6085	CHIP CAP.	0.01uF	50V	X7R	GRM155R71H103KA88D	K22178848		1-	A	
C 6086	CHIP CAP.	0.01uF	50V	X7R	GRM155R71H103KA88D	K22178848		1-	A	
C 6087	CHIP CAP.	0.1uF	50V	X7R	GRM155R71H104KE14D	K22178872		1-	A	
C 6088	CHIP CAP.	0.1uF	50V	X7R	GRM155R71H104KE14D	K22178872		1-	A	
C 6089	CHIP CAP.	0.001uF	50V	B	GRM155B11H102KA01D	K22178809		1-	A	
C 6090	AL.ELECTRO.CAP.	10uF	25V		EMVA250ADA100MD55G	K48140014		1-	A	
C 6091	CHIP CAP.	0.1uF	50V	X7R	GRM155R71H104KE14D	K22178872		1-	A	
C 6093	CHIP CAP.	180pF	50V	CH	GRM1552C1H181JA01D	K22179711		1-	A	
C 6094	CHIP CAP.	0.1uF	50V	X7R	GRM155R71H104KE14D	K22178872		1-	A	
C 6095	CHIP CAP.	56pF	50V	CH	GRM1552C1H560JA01D	K22178230		1-	A	
C 6096	CHIP CAP.	0.1uF	50V	X7R	GRM155R71H104KE14D	K22178872		1-	A	
C 6097	CHIP CAP.	82pF	50V	CH	GRM1552C1H820JA01D	K22178234		1-	A	
C 6098	CHIP CAP.	0.01uF	50V	X7R	GRM155R71H103KA88D	K22178848		1-	A	
C 6099	CHIP CAP.	22pF	50V	CH	GRM1552C1H220JA01D	K22178220		1-	A	
C 6100	CHIP CAP.	0.01uF	50V	X7R	GRM155R71H103KA88D	K22178848		1-	A	
C 6101	CHIP CAP.	0.01uF	50V	X7R	GRM155R71H103KA88D	K22178848		1-	A	
C 6102	CHIP CAP.	0.1uF	50V	X7R	GRM155R71H104KE14D	K22178872		1-	A	
C 6103	CHIP CAP.	0.1uF	50V	X7R	GRM155R71H104KE14D	K22178872		1-	A	
C 6105	CHIP CAP.	1uF	16V	B	GRM155B31C105KA12D	K22128817		1-	A	
C 6107	CHIP CAP.	1uF	16V	B	GRM155B31C105KA12D	K22128817		1-	A	
C 6109	CHIP CAP.	0.001uF	50V	B	GRM155B11H102KA01D	K22178809		1-	A	
C 6111	CHIP CAP.	0.001uF	50V	B	GRM155B11H102KA01D	K22178809		1-	A	
C 6112	CHIP CAP.	0.1uF	50V	X7R	GRM155R71H104KE14D	K22178872		1-	A	
C 6113	CHIP CAP.	0.01uF	50V	X7R	GRM155R71H103KA88D	K22178848		1-	A	
C 6114	CHIP CAP.	0.001uF	50V	B	GRM155B11H102KA01D	K22178809		1-	A	
C 6115	CHIP CAP.	22uF	25V	X5R	GRM21BR61E226ME44L	K22140830		1-	A	
C 6116	CHIP CAP.	0.001uF	50V	B	GRM155B11H102KA01D	K22178809		1-	A	
C 6117	CHIP CAP.	0.0015uF	50V	C0G	GRM1555C1H152JA01D	K22179760		1-	A	
C 6118	CHIP CAP.	0.0012uF	50V	C0G	GRM1555C1H122JA01D	K22179758		1-	A	
C 6120	CHIP CAP.	560pF	50V	C0G	GRM1555C1H561JA01D	K22179750		1-	A	
C 6122	CHIP CAP.	56pF	50V	CH	GRM1552C1H560JA01D	K22178230		1-	A	
C 6124	CHIP CAP.	56pF	50V	CH	GRM1552C1H560JA01D	K22178230		1-	A	
C 6125	CHIP CAP.	0.01uF	50V	X7R	GRM155R71H103KA88D	K22178848		1-	A	
C 6126	CHIP CAP.	0.1uF	50V	X7R	GRM155R71H104KE14D	K22178872		1-	A	
C 6127	CHIP CAP.	0.1uF	50V	X7R	GRM155R71H104KE14D	K22178872		1-	A	
C 6128	CHIP CAP.	0.001uF	50V	B	GRM155B11H102KA01D	K22178809		1-	A	
C 6129	CHIP CAP.	0.1uF	50V	X7R	GRM155R71H104KE14D	K22178872		1-	A	
C 6130	CHIP CAP.	0.1uF	50V	X7R	GRM155R71H104KE14D	K22178872		1-	A	
C 6131	CHIP CAP.	0.01uF	50V	X7R	GRM155R71H103KA88D	K22178848		1-	A	
C 6132	CHIP CAP.	0.01uF	50V	X7R	GRM155R71H103KA88D	K22178848		1-	A	
C 6133	CHIP CAP.	560pF	50V	C0G	GRM1555C1H561JA01D	K22179750		1-	A	
C 6134	CHIP CAP.	180pF	50V	CH	GRM1552C1H181JA01D	K22179711		1-	A	

200W-PA Unit (FTDX101MP)

Parts List

REF	DESCRIPTION	VALUE	V/W	TOL.	MFR'S DESIG	YAESU P/N	VERS.	LOT	SIDE	LAY ADR
C 6135	CHIP CAP.	270pF	50V	CH	GRM1552C1H271JA01D	K22179715		1-	A	
C 6136	CHIP CAP.	68pF	50V	CH	GRM1552C1H680JA01D	K22178232		1-	A	
C 6137	CHIP CAP.	0.001uF	50V	B	GRM155B11H102KA01D	K22178809		1-	A	
C 6138	CHIP CAP.	0.001uF	50V	B	GRM155B11H102KA01D	K22178809		1-	A	
C 6139	CHIP CAP.	0.001uF	50V	B	GRM155B11H102KA01D	K22178809		1-	A	
C 6140	CHIP CAP.	0.001uF	50V	B	GRM155B11H102KA01D	K22178809		1-	A	
C 6145	CHIP CAP.	0.0015uF	50V	C0G	GRM1555C1H152JA01D	K22179760		1-	A	
C 6146	CHIP CAP.	0.0012uF	50V	C0G	GRM1555C1H122JA01D	K22179758		1-	A	
C 6148	CHIP CAP.	560pF	50V	C0G	GRM1555C1H561JA01D	K22179750		1-	A	
C 6150	CHIP CAP.	56pF	50V	CH	GRM1552C1H560JA01D	K22178230		1-	A	
C 6152	CHIP CAP.	56pF	50V	CH	GRM1552C1H560JA01D	K22178230		1-	A	
C 6153	CHIP CAP.	0.01uF	50V	X7R	GRM155R71H103KA88D	K22178848		1-	A	
C 6154	CHIP CAP.	0.01uF	50V	X7R	GRM155R71H103KA88D	K22178848		1-	A	
C 6156	CHIP CAP.	0.1uF	50V	X7R	GRM155R71H104KE14D	K22178872		1-	A	
C 6157	CHIP CAP.	0.1uF	50V	X7R	GRM155R71H104KE14D	K22178872		1-	A	
C 6158	CHIP CAP.	0.1uF	50V	X7R	GRM155R71H104KE14D	K22178872		1-	A	
C 6159	AL.ELECTRO.CAP.	10uF	35V		EEE1VA100WR	K48160006		1-	A	
C 6160	CHIP CAP.	0.01uF	50V	X7R	GRM155R71H103KA88D	K22178848		1-	A	
C 6161	CHIP CAP.	0.01uF	50V	X7R	GRM155R71H103KA88D	K22178848		1-	A	
C 6163	CHIP CAP.	1uF	16V	B	GRM155B31C105KA12D	K22128817		1-	A	
C 6165	CHIP CAP.	1uF	16V	B	GRM155B31C105KA12D	K22128817		1-	A	
C 6167	CHIP CAP.	0.001uF	50V	B	GRM155B11H102KA01D	K22178809		1-	A	
C 6169	CHIP CAP.	0.001uF	50V	B	GRM155B11H102KA01D	K22178809		1-	A	
C 6170	CHIP CAP.	470pF	50V	B	GRM155B11H471KA01D	K22178805		1-	A	
C 6171	CHIP CAP.	0.001uF	50V	B	GRM155B11H102KA01D	K22178809		1-	A	
C 6172	CHIP CAP.	0.001uF	50V	B	GRM155B11H102KA01D	K22178809		1-	A	
C 6173	CHIP CAP.	180pF	50V	CH	GRM1552C1H181JA01D	K22179711		1-	A	
C 6174	CHIP CAP.	0.1uF	50V	X7R	GRM155R71H104KE14D	K22178872		1-	A	
C 6175	CHIP CAP.	56pF	50V	CH	GRM1552C1H560JA01D	K22178230		1-	A	
C 6176	CHIP CAP.	0.1uF	50V	X7R	GRM155R71H104KE14D	K22178872		1-	A	
C 6177	CHIP CAP.	82pF	50V	CH	GRM1552C1H820JA01D	K22178234		1-	A	
C 6178	CHIP CAP.	0.01uF	50V	X7R	GRM155R71H103KA88D	K22178848		1-	A	
C 6179	CHIP CAP.	22pF	50V	CH	GRM1552C1H220JA01D	K22178220		1-	A	
C 6180	CHIP CAP.	0.01uF	50V	X7R	GRM155R71H103KA88D	K22178848		1-	A	
C 6181	CHIP CAP.	0.001uF	50V	B	GRM155B11H102KA01D	K22178809		1-	A	
C 6182	CHIP CAP.	0.01uF	50V	X7R	GRM155R71H103KA88D	K22178848		1-	A	
C 6183	CHIP CAP.	0.1uF	50V	X7R	GRM155R71H104KE14D	K22178872		1-	A	
C 6184	CHIP CAP.	0.01uF	50V	X7R	GRM155R71H103KA88D	K22178848		1-	A	
C 6185	CHIP CAP.	0.01uF	50V	X7R	GRM155R71H103KA88D	K22178848		1-	A	
C 6186	CHIP CAP.	0.1uF	50V	X7R	GRM155R71H104KE14D	K22178872		1-	A	
C 6187	CHIP CAP.	0.1uF	50V	X7R	GRM155R71H104KE14D	K22178872		1-	A	
C 6188	CHIP CAP.	0.1uF	50V	X7R	GRM155R71H104KE14D	K22178872		1-	A	
C 6189	CHIP CAP.	0.1uF	50V	X7R	GRM155R71H104KE14D	K22178872		1-	A	
C 6190	CHIP CAP.	0.01uF	50V	X7R	GRM155R71H103KA88D	K22178848		1-	A	
C 6191	CHIP CAP.	0.01uF	50V	X7R	GRM155R71H103KA88D	K22178848		1-	A	
C 6192	CHIP CAP.	0.01uF	50V	X7R	GRM155R71H103KA88D	K22178848		1-	A	
C 6193	CHIP CAP.	0.01uF	50V	X7R	GRM155R71H103KA88D	K22178848		1-	A	
C 6194	CHIP CAP.	0.01uF	50V	X7R	GRM155R71H103KA88D	K22178848		1-	A	
C 6195	CHIP CAP.	0.1uF	50V	X7R	GRM155R71H104KE14D	K22178872		1-	A	
C 6196	CHIP CAP.	10uF	25V	B	GRM31CB31E106KA75L	K22141815		1-	A	
C 6197	CHIP CAP.	10uF	25V	B	GRM31CB31E106KA75L	K22141815		1-	A	
C 6198	CHIP CAP.	10uF	25V	B	GRM31CB31E106KA75L	K22141815		1-	A	
C 6199	CHIP CAP.	10uF	25V	B	GRM31CB31E106KA75L	K22141815		1-	A	
C 6200	CHIP CAP.	0.001uF	50V	B	GRM155B11H102KA01D	K22178809		1-	A	
C 6201	CHIP CAP.	0.01uF	50V	X7R	GRM155R71H103KA88D	K22178848		1-	A	
C 6202	CHIP CAP.	0.1uF	50V	X7R	GRM155R71H104KE14D	K22178872		1-	A	
C 6203	CHIP CAP.	0.1uF	50V	X7R	GRM155R71H104KE14D	K22178872		1-	A	
C 6205	CHIP CAP.	1uF	16V	B	GRM155B31C105KA12D	K22128817		1-	A	
C 6206	CHIP CAP.	0.001uF	50V	B	GRM155B11H102KA01D	K22178809		1-	A	
C 6207	CHIP CAP.	0.1uF	50V	X7R	GRM155R71H104KE14D	K22178872		1-	A	
C 6208	CHIP CAP.	1uF	16V	B	GRM155B31C105KA12D	K22128817		1-	A	
C 6209	AL.ELECTRO.CAP.	10uF	35V		EEE1VA100WR	K48160006		1-	A	
C 6210	CHIP CAP.	0.01uF	50V	X7R	GRM155R71H103KA88D	K22178848		1-	A	
C 6211	CHIP CAP.	0.001uF	50V	B	GRM155B11H102KA01D	K22178809		1-	A	
C 6212	CHIP CAP.	0.001uF	50V	B	GRM155B11H102KA01D	K22178809		1-	A	
C 6214	CHIP CAP.	0.01uF	50V	X7R	GRM155R71H103KA88D	K22178848		1-	A	
C 6216	CHIP CAP.	0.001uF	50V	B	GRM155B11H102KA01D	K22178809		1-	A	
C 6218	CHIP CAP.	0.1uF	50V	X7R	GRM155R71H104KE14D	K22178872		1-	A	
C 6219	AL.ELECTRO.CAP.	10uF	35V		EEE1VA100WR	K48160006		1-	A	
C 6220	CHIP CAP.	0.01uF	50V	X7R	GRM155R71H103KA88D	K22178848		1-	A	
C 6221	CHIP CAP.	0.1uF	50V	X7R	GRM155R71H104KE14D	K22178872		1-	A	
C 6222	CHIP CAP.	0.01uF	250V	X7R	GRM21BR72E103KW03L	K22240801		1-	A	
C 6223	CHIP CAP.	0.01uF	250V	X7R	GRM21BR72E103KW03L	K22240801		1-	A	
C 6224	CHIP CAP.	0.1uF	50V	X7R	GRM155R71H104KE14D	K22178872		1-	A	
C 6225	CHIP CAP.	0.1uF	50V	X7R	GRM155R71H104KE14D	K22178872		1-	A	

200W-PA Unit (FTDX101MP)

Parts List

REF	DESCRIPTION	VALUE	V/W	TOL.	MFR'S DESIG	YAESU P/N	VERS.	LOT	SIDE	LAY ADR
C 6226	CHIP CAP.	0.018uF	25V	B	GRM155B11E183KA61D	K22148835		1-	A	
C 6228	CHIP CAP.	0.001uF	50V	B	GRM155B11H102KA01D	K22178809		1-	A	
C 6229	CHIP CAP.	0.01uF	50V	X7R	GRM155R71H103KA88D	K22178848		1-	A	
C 6230	CHIP CAP.	0.01uF	50V	X7R	GRM155R71H103KA88D	K22178848		1-	A	
C 6231	CHIP CAP.	0.1uF	50V	X7R	GRM155R71H104KE14D	K22178872		1-	A	
C 6232	CHIP CAP.	0.01uF	50V	X7R	GRM155R71H103KA88D	K22178848		1-	A	
C 6233	CHIP CAP.	150pF	250V	C0G	GRM21A5C2E151JW01D	K22240315		1-	A	
C 6234	CHIP CAP.	0.001uF	50V	B	GRM155B11H102KA01D	K22178809		1-	A	
C 6235	CHIP CAP.	0.001uF	50V	B	GRM155B11H102KA01D	K22178809		1-	A	
C 6236	CHIP CAP.	0.1uF	50V	X7R	GRM155R71H104KE14D	K22178872		1-	A	
C 6238	CHIP CAP.	0.1uF	50V	X7R	GRM155R71H104KE14D	K22178872		1-	A	
C 6239	CHIP CAP.	0.001uF	50V	B	GRM155B11H102KA01D	K22178809		1-	A	
C 6240	CHIP CAP.	0.001uF	50V	B	GRM155B11H102KA01D	K22178809		1-	A	
C 6241	CHIP CAP.	0.01uF	50V	X7R	GRM155R71H103KA88D	K22178848		1-	A	
C 6242	CHIP CAP.	0.1uF	50V	X7R	GRM155R71H104KE14D	K22178872		1-	A	
C 6244	CHIP CAP.	0.1uF	50V	X7R	GRM155R71H104KE14D	K22178872		1-	A	
C 6245	CHIP CAP.	0.01uF	50V	X7R	GRM155R71H103KA88D	K22178848		1-	A	
C 6246	CHIP CAP.	0.01uF	50V	X7R	GRM155R71H103KA88D	K22178848		1-	A	
C 6247	CHIP CAP.	0.1uF	50V	X7R	GRM155R71H104KE14D	K22178872		1-	A	
C 6248	CHIP CAP.	0.01uF	250V	X7R	GRM21BR72E103KW03L	K22240801		1-	A	
C 6249	CHIP CAP.	0.01uF	250V	X7R	GRM21BR72E103KW03L	K22240801		1-	A	
C 6250	CHIP CAP.	0.1uF	50V	X7R	GRM155R71H104KE14D	K22178872		1-	A	
C 6251	CHIP CAP.	0.0068pF	1KV	U2J	GRM55Q7U3A682JW31L	K22306201		1-	A	
C 6252	CHIP CAP.	0.1uF	50V	X7R	GRM155R71H104KE14D	K22178872		1-	A	
C 6253	CHIP CAP.	0.1uF	50V	X7R	GRM155R71H104KE14D	K22178872		1-	A	
C 6254	CHIP CAP.	0.1uF	50V	X7R	GRM155R71H104KE14D	K22178872		1-	A	
C 6255	CHIP CAP.	0.1uF	50V	X7R	GRM155R71H104KE14D	K22178872		1-	A	
C 6256	CHIP CAP.	0.0068pF	1KV	U2J	GRM55Q7U3A682JW31L	K22306201		1-	A	
C 6258	CHIP CAP.	0.1uF	50V	X7R	GRM155R71H104KE14D	K22178872		1-	A	
C 6259	CHIP CAP.	0.001uF	50V	B	GRM155B11H102KA01D	K22178809		1-	A	
C 6260	CHIP CAP.	0.01uF	50V	X7R	GRM155R71H103KA88D	K22178848		1-	A	
C 6261	CHIP CAP.	0.1uF	50V	X7R	GRM155R71H104KE14D	K22178872		1-	A	
C 6263	CHIP CAP.	0.001uF	50V	B	GRM155B11H102KA01D	K22178809		1-	A	
C 6265	CHIP CAP.	0.01uF	250V	X7R	GRM21BR72E103KW03L	K22240801		1-	A	
C 6266	CHIP CAP.	0.01uF	250V	X7R	GRM21BR72E103KW03L	K22240801		1-	A	
C 6267	CHIP CAP.	0.1uF	50V	X7R	GRM155R71H104KE14D	K22178872		1-	A	
C 6268	CHIP CAP.	0.001uF	50V	B	GRM155B11H102KA01D	K22178809		1-	A	
C 6269	CHIP CAP.	0.01uF	50V	X7R	GRM155R71H103KA88D	K22178848		1-	A	
C 6270	CHIP CAP.	0.01uF	50V	X7R	GRM155R71H103KA88D	K22178848		1-	A	
C 6271	CHIP CAP.	0.01uF	250V	X7R	GRM21BR72E103KW03L	K22240801		1-	A	
C 6272	CHIP CAP.	0.01uF	250V	X7R	GRM21BR72E103KW03L	K22240801		1-	A	
C 6273	CHIP CAP.	0.1uF	50V	X7R	GRM155R71H104KE14D	K22178872		1-	A	
C 6274	CHIP CAP.	0.1uF	630V	X7R	GRM43DR72J104KW01L	K22287201		1-	A	
C 6276	CHIP CAP.	0.1uF	50V	X7R	GRM155R71H104KE14D	K22178872		1-	A	
C 6277	CHIP CAP.	1000pF	630V	C0G	GRM31B5C2J102JW01L	K22281244		1-	A	
C 6278	AL.ELECTRO.CAP.	100uF	160V		RE3-160V101MI6#	K40229001		1-	A	
C 6279	FILM CAP.	0.1uF	250V		MMTB0250J1040	K52240004		1-	A	
C 6281	CHIP CAP.	0.001uF	250V	U2J	GRM21A7U2E102JW31D	K22240325		1-	A	
C 6282	CHIP CAP.	0.1uF	250V	X7R	GRM32DR72E104KW01L	K22245801		1-	A	
C 6283	CHIP CAP.	0.01uF	50V	X7R	GRM155R71H103KA88D	K22178848		1-	A	
C 6284	CHIP CAP.	0.01uF	250V	X7R	GRM21BR72E103KW03L	K22240801		1-	A	
C 6285	CHIP CAP.	0.01uF	50V	X7R	GRM155R71H103KA88D	K22178848		1-	A	
C 6287	CHIP CAP.	0.1uF	250V	X7R	GRM32DR72E104KW01L	K22245801		1-	A	
C 6288	CHIP CAP.	0.001uF	50V	B	GRM155B11H102KA01D	K22178809		1-	A	
C 6289	CHIP CAP.	0.01uF	250V	X7R	GRM21BR72E103KW03L	K22240801		1-	A	
C 6290	CHIP CAP.	0.01uF	50V	X7R	GRM155R71H103KA88D	K22178848		1-	A	
C 6291	CHIP CAP.	1000pF	630V	C0G	GRM31B5C2J102JW01L	K22281244		1-	A	
C 6293	FILM CAP.	0.1uF	250V		MMTB0250J1040	K52240004		1-	A	
C 6294	AL.ELECTRO.CAP.	100uF	160V		RE3-160V101MI6#	K40229001		1-	A	
C 6295	CHIP CAP.	0.001uF	250V	U2J	GRM21A7U2E102JW31D	K22240325		1-	A	
C 6296	CHIP CAP.	0.001uF	50V	B	GRM155B11H102KA01D	K22178809		1-	A	
C 6297	CHIP CAP.	0.1uF	630V	X7R	GRM43DR72J104KW01L	K22287201		1-	A	
C 6298	CHIP CAP.	0.018uF	25V	B	GRM155B11E183KA61D	K22148835		1-	A	
C 6299	CHIP CAP.	0.018uF	25V	B	GRM155B11E183KA61D	K22148835		1-	A	
C 6300	CHIP CAP.	0.018uF	25V	B	GRM155B11E183KA61D	K22148835		1-	A	
C 6301	CHIP CAP.	0.018uF	25V	B	GRM155B11E183KA61D	K22148835		1-	A	
C 6302	CHIP CAP.	0.018uF	25V	B	GRM155B11E183KA61D	K22148835		1-	A	
C 6303	CHIP CAP.	0.018uF	25V	B	GRM155B11E183KA61D	K22148835		1-	A	
C 6304	CHIP CAP.	0.018uF	25V	B	GRM155B11E183KA61D	K22148835		1-	A	
C 6305	CHIP CAP.	0.001uF	50V	B	GRM155B11H102KA01D	K22178809		1-	A	
C 6306	CHIP CAP.	0.01uF	50V	X7R	GRM155R71H103KA88D	K22178848		1-	A	
C 6307	CHIP CAP.	0.01uF	250V	X7R	GRM21BR72E103KW03L	K22240801		1-	A	
C 6308	CHIP CAP.	0.01uF	250V	X7R	GRM21BR72E103KW03L	K22240801		1-	A	
C 6309	CHIP CAP.	1000pF	630V	C0G	GRM31B5C2J102JW01L	K22281244		1-	A	
C 6310	CHIP CAP.	100pF	630V	C0G	GRM31A5C2J101JW01D	K22281232		1-	A	

200W-PA Unit (FTDX101MP)

Parts List

REF	DESCRIPTION	VALUE	V/W	TOL.	MFR'S DESIG	YAESU P/N	VERS.	LOT	SIDE	LAY ADR
C 6311	CHIP CAP.	560pF	630V	C0G	GRM31A5C2J561JW01D	K22281241		1-	A	
C 6312	CHIP CAP.	68pF	630V	C0G	GRM31A5C2J680JW01D	K22281230		1-	A	
C 6313	CHIP CAP.	22pF	630V	C0G	GRM31A5C2J220JW01D	K22281224		1-	A	
C 6315	CHIP CAP.	10pF	630V	C0G	GRM31A5C2J100JW01D	K22281220		1-	A	
C 6316	CHIP CAP.	330pF	630V	C0G	GRM31A5C2J331JW01D	K22281238		1-	A	
C 6317	CHIP CAP.	100pF	630V	C0G	GRM31A5C2J101JW01D	K22281232		1-	A	
C 6318	CHIP CAP.	100pF	630V	C0G	GRM31A5C2J101JW01D	K22281232		1-	A	
C 6319	CHIP CAP.	56pF	630V	C0G	GRM31A5C2J560JW01D	K22281229		1-	A	
C 6320	CHIP CAP.	47pF	630V	C0G	GRM31A5C2J470JW01D	K22281228		1-	A	
C 6321	CHIP CAP.	56pF	630V	C0G	GRM31A5C2J560JW01D	K22281229		1-	A	
C 6322	CHIP CAP.	22pF	630V	C0G	GRM31A5C2J220JW01D	K22281224		1-	A	
C 6323	CHIP CAP.	22pF	630V	C0G	GRM31A5C2J220JW01D	K22281224		1-	A	
C 6324	FILM CAP.	39pF	500V		UC232H0390J-T	K33279038		1-	A	
C 6325	CHIP CAP.	560pF	630V	C0G	GRM31A5C2J561JW01D	K22281241		1-	A	
C 6327	CHIP CAP.	220pF	630V	C0G	GRM31A5C2J221JW01D	K22281236		1-	A	
C 6328	CHIP CAP.	68pF	630V	C0G	GRM31A5C2J680JW01D	K22281230		1-	A	
C 6329	CHIP CAP.	270pF	630V	C0G	GRM31A5C2J271JW01D	K22281237		1-	A	
C 6330	CHIP CAP.	33pF	630V	C0G	GRM31A5C2J330JW01D	K22281226		1-	A	
C 6331	FILM CAP.	3pF	500V		UC232H0030D-T	K33279027		1-	A	
C 6332	CHIP CAP.	100pF	630V	C0G	GRM31A5C2J101JW01D	K22281232		1-	A	
C 6333	CHIP CAP.	100pF	630V	C0G	GRM31A5C2J101JW01D	K22281232		1-	A	
C 6334	CHIP CAP.	82pF	630V	C0G	GRM31A5C2J820JW01D	K22281231		1-	A	
C 6335	CHIP CAP.	1000pF	630V	C0G	GRM31B5C2J102JW01L	K22281244		1-	A	
C 6336	CHIP CAP.	270pF	630V	C0G	GRM31A5C2J271JW01D	K22281237		1-	A	
C 6337	CHIP CAP.	1000pF	630V	C0G	GRM31B5C2J102JW01L	K22281244		1-	A	
C 6338	FILM CAP.	68pF	100V		UC232A0680J-T	K33209021		1-	A	
C 6339	CHIP CAP.	1000pF	630V	C0G	GRM31B5C2J102JW01L	K22281244		1-	A	
C 6341	CHIP CAP.	150pF	630V	C0G	GRM31A5C2J151JW01D	K22281234		1-	A	
C 6342	CHIP CAP.	100pF	630V	C0G	GRM31A5C2J101JW01D	K22281232		1-	A	
C 6343	CHIP CAP.	270pF	630V	C0G	GRM31A5C2J271JW01D	K22281237		1-	A	
C 6344	CHIP CAP.	39pF	630V	C0G	GRM31A5C2J390JW01D	K22281227		1-	A	
C 6345	CHIP CAP.	470pF	630V	C0G	GRM31A5C2J471JW01D	K22281240		1-	A	
C 6346	CHIP CAP.	47pF	630V	C0G	GRM31A5C2J470JW01D	K22281228		1-	A	
C 6347	CHIP CAP.	27pF	630V	C0G	GRM31A5C2J270JW01D	K22281225		1-	A	
C 6348	CHIP CAP.	220pF	630V	C0G	GRM31A5C2J221JW01D	K22281236		1-	A	
C 6349	CHIP CAP.	82pF	630V	C0G	GRM31A5C2J820JW01D	K22281231		1-	A	
C 6350	CHIP CAP.	56pF	630V	C0G	GRM31A5C2J560JW01D	K22281229		1-	A	
C 6351	CHIP CAP.	22pF	630V	C0G	GRM31A5C2J220JW01D	K22281224		1-	A	
C 6353	CHIP CAP.	150pF	630V	C0G	GRM31A5C2J151JW01D	K22281234		1-	A	
C 6354	CHIP CAP.	10pF	630V	C0G	GRM31A5C2J100JW01D	K22281220		1-	A	
C 6355	CHIP CAP.	0.018uF	25V	B	GRM155B11E183KA61D	K22148835		1-	A	
C 6356	CHIP CAP.	120pF	630V	C0G	GRM31A5C2J121JW01D	K22281233		1-	A	
C 6358	FILM CAP.	27pF	500V		UC232H0270J-T	K33279023		1-	A	
C 6359	CHIP CAP.	82pF	630V	C0G	GRM31A5C2J820JW01D	K22281231		1-	A	
C 6360	CHIP CAP.	82pF	630V	C0G	GRM31A5C2J820JW01D	K22281231		1-	A	
C 6361	CHIP CAP.	680pF	630V	C0G	GRM31B5C2J681JW01L	K22281242		1-	A	
C 6362	CHIP CAP.	100pF	630V	C0G	GRM31A5C2J101JW01D	K22281232		1-	A	
C 6363	CHIP CAP.	1000pF	630V	C0G	GRM31B5C2J102JW01L	K22281244		1-	A	
C 6364	CHIP CAP.	0.01uF	50V	X7R	GRM155R71H103KA88D	K22178848		1-	A	
C 6365	CHIP CAP.	680pF	630V	C0G	GRM31B5C2J681JW01L	K22281242		1-	A	
C 6366	CHIP CAP.	22pF	630V	C0G	GRM31A5C2J220JW01D	K22281224		1-	A	
C 6367	CHIP CAP.	270pF	630V	C0G	GRM31A5C2J271JW01D	K22281237		1-	A	
C 6368	CHIP CAP.	180pF	630V	C0G	GRM31A5C2J181JW01D	K22281235		1-	A	
C 6369	FILM CAP.	56pF	100V		UC232A0560J-T	K33209020		1-	A	
C 6370	CHIP CAP.	56pF	630V	C0G	GRM31A5C2J560JW01D	K22281229		1-	A	
C 6371	CHIP CAP.	1000pF	630V	C0G	GRM31B5C2J102JW01L	K22281244		1-	A	
C 6372	CHIP CAP.	560pF	630V	C0G	GRM31A5C2J561JW01D	K22281241		1-	A	
C 6373	CHIP CAP.	0.01uF	50V	X7R	GRM155R71H103KA88D	K22178848		1-	A	
C 6374	CHIP CAP.	47pF	630V	C0G	GRM31A5C2J470JW01D	K22281228		1-	A	
C 6375	CHIP CAP.	22pF	630V	C0G	GRM31A5C2J220JW01D	K22281224		1-	A	
C 6376	CHIP CAP.	9pF	500V	CH	GQM22M5C2H9R0DB01L	K22273251		1-	A	
C 6378	CHIP CAP.	10pF	630V	C0G	GRM31A5C2J100JW01D	K22281220		1-	A	
C 6380	CHIP CAP.	0.01uF	50V	X7R	GRM155R71H103KA88D	K22178848		1-	A	
C 6381	CHIP CAP.	0.01uF	250V	X7R	GRM21BR72E103KW03L	K22240801		1-	A	
C 6382	FILM CAP.	18pF	500V		UC232H0180J-T	K33279029		1-	A	
C 6383	CHIP CAP.	0.01uF	50V	X7R	GRM155R71H103KA88D	K22178848		1-	A	
C 6384	CHIP CAP.	220pF	630V	C0G	GRM31A5C2J221JW01D	K22281236		1-	A	
C 6385	CHIP CAP.	100pF	630V	C0G	GRM31A5C2J101JW01D	K22281232		1-	A	
C 6386	CHIP CAP.	100pF	630V	C0G	GRM31A5C2J101JW01D	K22281232		1-	A	
C 6387	CHIP CAP.	0.1uF	250V	X7R	GRM32DR72E104KW01L	K22245801		1-	A	
C 6388	CHIP CAP.	100pF	630V	C0G	GRM31A5C2J101JW01D	K22281232		1-	A	
C 6389	CHIP CAP.	0.01uF	50V	X7R	GRM155R71H103KA88D	K22178848		1-	A	
C 6390	CHIP CAP.	180pF	630V	C0G	GRM31A5C2J181JW01D	K22281235		1-	A	
C 6391	CHIP CAP.	100pF	630V	C0G	GRM31A5C2J101JW01D	K22281232		1-	A	
C 6392	CHIP CAP.	47pF	630V	C0G	GRM31A5C2J470JW01D	K22281228		1-	A	

200W-PA Unit (FTDX101MP)

Parts List

REF	DESCRIPTION	VALUE	V/W	TOL.	MFR'S DESIG	YAESU P/N	VERS.	LOT	SIDE	LAY ADR
C 6393	FILM CAP.	8pF	500V		UC232H0080D-T	K33279005		1-	A	
C 6394	CHIP CAP.	0.1uF	250V	X7R	GRM32DR72E104KW01L	K22245801		1-	A	
C 6395	CHIP CAP.	0.01uF	50V	X7R	GRM155R71H103KA88D	K22178848		1-	A	
C 6396	CHIP CAP.	0.01uF	250V	X7R	GRM21BR72E103KW03L	K22240801		1-	A	
C 6397	AL.ELECTRO.CAP.	47uF	35V		EEE1VA470WP	K48160005		1-	A	
C 6398	CHIP CAP.	0.018uF	25V	B	GRM155B11E183KA61D	K22148835		1-	A	
C 6399	CHIP CAP.	0.018uF	25V	B	GRM155B11E183KA61D	K22148835		1-	A	
C 6400	CHIP CAP.	1000pF	630V	C0G	GRM31B5C2J102JW01L	K22281244		1-	A	
C 6401	CHIP CAP.	0.01uF	50V	X7R	GRM155R71H103KA88D	K22178848		1-	A	
C 6402	CHIP CAP.	0.018uF	25V	B	GRM155B11E183KA61D	K22148835		1-	A	
C 6403	CHIP CAP.	0.018uF	25V	B	GRM155B11E183KA61D	K22148835		1-	A	
C 6404	CHIP CAP.	0.018uF	25V	B	GRM155B11E183KA61D	K22148835		1-	A	
C 6405	CHIP CAP.	0.018uF	25V	B	GRM155B11E183KA61D	K22148835		1-	A	
C 6406	CHIP CAP.	0.018uF	25V	B	GRM155B11E183KA61D	K22148835		1-	A	
C 6407	CHIP CAP.	0.01uF	50V	X7R	GRM155R71H103KA88D	K22178848		1-	A	
C 6408	FILM CAP.	15pF	500V		UC232H0150J-T	K33279028		1-	A	
C 6409	CHIP CAP.	0.1uF	50V	X7R	GRM155R71H104KE14D	K22178872		1-	A	
C 6410	FILM CAP.	56pF	500V		UC232H0560J-T	K33279035		1-	A	
C 6411	FILM CAP.	56pF	500V		UC232H0560J-T	K33279035		1-	A	
C 6415	CHIP CAP.	0.1uF	250V	X7R	GRM31CR72E104KW03L	K22241804		1-	A	
C 6416	CHIP CAP.	0.1uF	250V	X7R	GRM31CR72E104KW03L	K22241804		1-	A	
C 6417	CHIP CAP.	0.1uF	50V	X7R	GRM155R71H104KE14D	K22178872		1-	A	
C 6418	CHIP CAP.	0.01uF	50V	X7R	GRM155R71H103KA88D	K22178848		1-	A	
C 6419	CHIP CAP.	0.1uF	50V	X7R	GRM155R71H104KE14D	K22178872		1-	A	
C 6420	CHIP CAP.	0.01uF	50V	X7R	GRM155R71H103KA88D	K22178848		1-	A	
C 6421	CHIP CAP.	0.001uF	50V	B	GRM155B11H102KA01D	K22178809		1-	A	
C 6422	CHIP CAP.	7pF	50V	CH	GRM1552C1H7R0DA01D	K22178209		1-	A	
C 6424	CHIP CAP.	7pF	50V	CH	GRM1552C1H7R0DA01D	K22178209		1-	A	
C 6426	CHIP CAP.	220pF	50V	CH	GRM1552C1H221JA01D	K22179713		1-	A	
C 6427	CHIP CAP.	39pF	50V	CH	GRM1552C1H390JA01D	K22178226		1-	A	
C 6428	CHIP CAP.	0.01uF	50V	X7R	GRM155R71H103KA88D	K22178848		1-	A	
C 6429	CHIP CAP.	0.1uF	50V	X7R	GRM155R71H104KE14D	K22178872		1-	A	
C 6430	CHIP CAP.	0.1uF	50V	X7R	GRM155R71H104KE14D	K22178872		1-	A	
C 6431	CHIP CAP.	0.1uF	50V	X7R	GRM155R71H104KE14D	K22178872		1-	A	
C 6432	CHIP CAP.	0.1uF	50V	X7R	GRM155R71H104KE14D	K22178872		1-	A	
C 6433	CHIP CAP.	0.001uF	50V	B	GRM155B11H102KA01D	K22178809		1-	A	
C 6434	CHIP CAP.	0.001uF	50V	B	GRM155B11H102KA01D	K22178809		1-	A	
C 6435	CHIP CAP.	0.001uF	50V	B	GRM155B11H102KA01D	K22178809		1-	A	
C 6436	CHIP CAP.	0.001uF	50V	B	GRM155B11H102KA01D	K22178809		1-	A	
C 6437	CHIP CAP.	0.01uF	50V	X7R	GRM155R71H103KA88D	K22178848		2-	A	
C 6438	CHIP CAP.	0.01uF	50V	X7R	GRM155R71H103KA88D	K22178848		2-	A	
C 6439	CHIP TA.CAP.	10uF	16V		TMCMA1C106MTRF	K78120077		2-	A	
D 6002	DIODE				RSX101VA-30TR	G2070984		1-	A	
D 6003	DIODE				RSX101VA-30TR	G2070984		1-	A	
D 6004	DIODE				RN142S TE61	G2070994		1-	A	
D 6005	DIODE				RN142S TE61	G2070994		1-	A	
D 6006	DIODE				RN142S TE61	G2070994		1-	A	
D 6007	DIODE				RN142S TE61	G2070994		1-	A	
D 6008	DIODE				BAS316	G2070716		1-	A	
D 6009	DIODE				RSX101VA-30TR	G2070984		1-	A	
D 6010	DIODE				RN142S TE61	G2070994		1-	A	
D 6011	DIODE				RN142S TE61	G2070994		1-	A	
D 6012	DIODE				RN142S TE61	G2070994		1-	A	
D 6013	DIODE				RN142S TE61	G2070994		1-	A	
D 6014	DIODE				1SS400 TE61	G2070634		1-	A	
D 6015	DIODE				1SS400 TE61	G2070634		1-	A	
D 6016	DIODE				1SS400 TE61	G2070634		1-	A	
D 6017	DIODE				1SS400 TE61	G2070634		1-	A	
D 6018	DIODE				BAS316	G2070716		1-	A	
D 6019	DIODE				1SS400 TE61	G2070634		1-	A	
D 6020	DIODE				BAS316	G2070716		1-	A	
D 6021	DIODE				BAS316	G2070716		1-	A	
D 6022	DIODE				BAS316	G2070716		1-	A	
D 6024	DIODE				BAS316	G2070716		1-	A	
D 6025	DIODE				BAS316	G2070716		1-	A	
D 6026	DIODE				BAS316	G2070716		1-	A	
D 6027	DIODE				BAS316	G2070716		1-	A	
D 6028	DIODE				BAS316	G2070716		1-	A	
D 6029	DIODE				BAS316	G2070716		1-	A	
D 6030	DIODE				BAS316	G2070716		1-	A	
D 6031	DIODE				RB051L-40TE25	G2070718		1-	A	
D 6032	DIODE				BAS316	G2070716		2-	A	
D 6033	DIODE				1SS389(TPL3.F)	G2070608		2-	A	
FB6001	FERRITE BEADS				BLM18BD601SN1D	L9190143		1-	A	
FB6002	FERRITE BEADS				BLM18BD601SN1D	L9190143		1-	A	

200W-PA Unit (FTDX101MP)

Parts List

REF	DESCRIPTION	VALUE	V/W	TOL.	MFR'S DESIG	YAESU P/N	VERS.	LOT	SIDE	LAY ADR
FB6005	RFC WITH BEADS				3A RI5.8X6.4-2	L1020732		1-	A	
FB6006	RFC WITH BEADS				3A RI5.8X6.4-2	L1020732		1-	A	
FB6007	FERRITE BEADS				BLM18BD601SN1D	L9190143		2-	A	
J 6001	CONNECTOR				U.FL-R-SMT(10)	P1091155		1-	A	
J 6002	CONNECTOR				24FLT-SM2-TB(LF)(SN)(M)	P1091128		1-	A	
J 6003	CONNECTOR				SC25-12WS	P0090631		1-	A	
J 6004	CONNECTOR				IMSA-9202B-1-02-T	P0091174		1-	A	
J 6005	CONNECTOR				IMSA-9202B-1-02-T	P0091174		1-	A	
J 6006	CONNECTOR				B3B-XH-A(LF)(SN)	P0091413		1-	A	
J 6007	CONNECTOR				TMPR-S SJ050010	P1091616		1-	A	
J 6008	CONNECTOR				SB20-03WS	P0090610		1-	A	
J 6009	CONNECTOR				SB20-02WS	P0090609		1-	A	
L 6001	M.RFC	1000uH			LLM3225-102J	L1691157		1-	A	
L 6003	M.RFC	22uH			LK2125 220M-T	L1690335		1-	A	
L 6004	M.RFC	4.7uH			LK2125 4R7K-T	L1690327		1-	A	
L 6005	M.RFC	0.47uH			LK2125 R47K-T	L1690315		1-	A	
L 6006	M.RFC	0.47uH			LK2125 R47K-T	L1690315		1-	A	
L 6007	M.RFC	1.5uH			LK2125 1R5K-T	L1690321		1-	A	
L 6008	M.RFC	0.47uH			LK2125 R47K-T	L1690315		1-	A	
L 6009	M.RFC	0.68uH			LK2125 R68K-T	L1690317		1-	A	
L 6010	M.RFC	0.18uH			LK2125 R18K-T	L1690310		1-	A	
L 6011	M.RFC	6.8uH			MLF2012E6R8KT000	L1692058		1-	A	
L 6012	M.RFC	1.5uH			LK2125 1R5K-T	L1690321		1-	A	
L 6013	M.RFC	0.15uH			LQM21NNR15K10D	L1692056		1-	A	
L 6014	M.RFC	0.15uH			LQM21NNR15K10D	L1692056		1-	A	
L 6015	CHIP COIL	39uH		5%	NLV25T-390J-PF	L1691443		1-	A	
L 6016	M.RFC	1.5uH			LK2125 1R5K-T	L1690321		1-	A	
L 6017	M.RFC	0.47uH			LK2125 R47K-T	L1690315		1-	A	
L 6018	M.RFC	0.68uH			LK2125 R68K-T	L1690317		1-	A	
L 6019	M.RFC	0.18uH			LK2125 R18K-T	L1690310		1-	A	
L 6020	M.RFC	10uH			CDRH74-100MC	L1690599		1-	A	
L 6021	M.RFC	22uH			LK2125 220M-T	L1690335		1-	A	
L 6022	M.RFC	4.7uH			LK2125 4R7K-T	L1690327		1-	A	
L 6023	M.RFC	0.47uH			LK2125 R47K-T	L1690315		1-	A	
L 6024	M.RFC	0.47uH			LK2125 R47K-T	L1690315		1-	A	
L 6025	M.RFC	1000uH			LLM3225-102J	L1691157		1-	A	
L 6026	M.RFC	47uH			LLM3225-470J	L1691141		1-	A	
L 6027	M.RFC	47uH			LLM3225-470J	L1691141		1-	A	
L 6028	RFC WITH BEADS				ERLD302	L1020738		1-	A	
L 6029	TOROIDAL COIL	0.42uH			0.42U T80-6	L0023065		1-	A	
L 6030	TOROIDAL COIL	0.39uH			0.39U T80-6	L0023064		1-	A	
L 6031	TOROIDAL COIL	0.25uH			0.25U T80-6	L0023062		1-	A	
L 6032	TOROIDAL COIL	3.74uH			3.74U T-80-2	L0021976		1-	A	
L 6033	TOROIDAL COIL	0.85uH			0.85U T80-2	L0023069		1-	A	
L 6034	TOROIDAL COIL	1.55uH			1.55U T-80-2	L0021980		1-	A	
L 6035	COIL A1				3.5T13.0D2.0UEW R	L0022725		1-	A	
L 6036	TOROIDAL COIL	0.66uH			0.66U T-80-2	L0021984A		1-	A	
L 6037	TOROIDAL COIL	0.52uH			0.52U T80-6	L0023067		1-	A	
L 6038	TOROIDAL COIL	1.31uH			1.31U T80-2	L0023070		1-	A	
L 6039	TOROIDAL COIL	0.34uH			0.34U T80-6	L0023063		1-	A	
L 6040	TOROIDAL COIL	4.57uH			4.57U T-80-2	L0021977		1-	A	
L 6041	TOROIDAL COIL	1.92uH			1.92U T-80-2	L0021981		1-	A	
L 6042	COIL A1				ERSD115	L0023322		1-	A	
L 6043	TOROIDAL COIL	1.39uH			1.39U T80-2	L0023071		1-	A	
L 6044	TOROIDAL COIL	0.7uH			0.70U T80-2	L0023068		1-	A	
L 6045	TOROIDAL COIL	0.5uH			0.50U T80-6	L0023066		1-	A	
L 6046	TOROIDAL COIL	0.34uH			0.34U T80-6	L0023063		1-	A	
L 6047	COIL A1				ERSD114	L0023320		1-	A	
L 6048	CHIP COIL	2.2uH		2%	C2520C-2R2G-RA	L1691313		1-	A	
L 6049	CHIP COIL	0.39uH		2%	C2520C-R39G-RA	L1691301		1-	A	
L 6050	M.RFC	0.0082uH			C2012C-8N2M	L1690664		1-	A	
L 6051	CHIP COIL	0.39uH		2%	C2520C-R39G-RA	L1691301		1-	A	
L 6052	M.RFC	39uH		5%	1812LS-393XJLC	L1691490		1-	A	
Q 6005	IC				KIA7805API	G1093163		2-	A	
Q 6006	IC				KIA7808API	G1093164		2-	A	
Q 6007	TRANSISTOR				DTC123JE TL	G3070323		1-	A	
Q 6009	FET				RD06HHF1-501	G3090172		1-	A	
Q 6010	TRANSISTOR				2SC4081 T106	G3340818		1-	A	
Q 6011	FET				RD15HVF1-501	G3070556		1-	A	
Q 6012	FET				RD15HVF1-501	G3070556		1-	A	
Q 6013	TRANSISTOR				DTC114EUA T106	G3070084		1-	A	
Q 6014	TRANSISTOR				UMD5N TR	G3070343		1-	A	
Q 6015	TRANSISTOR				UMD5N TR	G3070343		1-	A	
Q 6016	TRANSISTOR				UMD5N TR	G3070343		1-	A	
Q 6017	TRANSISTOR				DTC114EUA T106	G3070084		1-	A	

200W-PA Unit (FTDX101MP)

Parts List

REF	DESCRIPTION	VALUE	V/W	TOL.	MFR'S DESIG	YAESU P/N	VERS.	LOT	SIDE	LAY ADR
Q 6018	TRANSISTOR				UMD5N TR	G3070343		1-	A	
Q 6019	TRANSISTOR				UMD5N TR	G3070343		1-	A	
Q 6020	FET				VRF150	G3090156		1-	A	
Q 6021	FET				VRF150	G3090156		1-	A	
Q 6022	TRANSISTOR				2SC4081 T106	G3340818		1-	A	
Q 6023	TRANSISTOR				DTC114EUA T106	G3070084		1-	A	
Q 6024	TRANSISTOR				2SB1182-TLQ	G3070063		1-	A	
Q 6025	TRANSISTOR				UMD5N TR	G3070343		1-	A	
Q 6026	TRANSISTOR				UMD5N TR	G3070343		1-	A	
Q 6027	TRANSISTOR				DTC114EUA T106	G3070084		1-	A	
Q 6029	TRANSISTOR				UMD5N TR	G3070343		1-	A	
Q 6030	TRANSISTOR				DTD123YK T146	G3070157		1-	A	
Q 6031	IC				TA75S01F(TE85R.F)	G1091593		1-	A	
Q 6032	IC				LM2902PWR	G1094009		1-	A	
Q 6033	IC				BGA616H6327XTSA1	G1095085		1-	A	
R 6010	CHIP RES.	0	1/16W	5%	RMC1/16 000JATP	J24185000		1-	A	
R 6018	CHIP RES.	330	1/10W	5%	RMC1/10T 331J	J24205331		1-	A	
R 6020	CHIP RES.	220	1/10W	5%	RMC1/10T 221J	J24205221		1-	A	
R 6021	CHIP RES.	220	1/10W	5%	RMC1/10T 221J	J24205221		1-	A	
R 6022	CHIP RES.	220	1/10W	5%	RMC1/10T 221J	J24205221		1-	A	
R 6023	CHIP RES.	220	1/10W	5%	RMC1/10T 221J	J24205221		1-	A	
R 6026	CHIP RES.	0	1/16W	5%	RMC1/16 000JATP	J24185000		1-	A	
R 6029	CHIP RES.	3.3	1W	5%	RMC1 3R3JTE	J24305339		1-	A	
R 6030	CHIP RES.	3.3	1W	5%	RMC1 3R3JTE	J24305339		1-	A	
R 6031	CHIP RES.	3.3	1W	5%	RMC1 3R3JTE	J24305339		1-	A	
R 6032	CHIP RES.	100	1/10W	5%	RMC1/10T 101J	J24205101		1-	A	
R 6033	CHIP RES.	1k	1/16W	5%	RMC1/16 102JATP	J24185102		1-	A	
R 6034	CHIP RES.	1.5	1/10W	5%	RMC1/10T 1R5J	J24205159		1-	A	
R 6035	CHIP RES.	680	1/4W	5%	RMC1/4 681JATP	J24245681		1-	A	
R 6037	CHIP RES.	1k	1/16W	5%	RMC1/16 102JATP	J24185102		1-	A	
R 6038	CHIP RES.	470	1/4W	5%	RMC1/4 471JATP	J24245471		1-	A	
R 6039	CHIP RES.	220	1/10W	5%	RMC1/10T 221J	J24205221		1-	A	
R 6040	CHIP RES.	220	1/10W	5%	RMC1/10T 221J	J24205221		1-	A	
R 6041	CHIP RES.	220	1/10W	5%	RMC1/10T 221J	J24205221		1-	A	
R 6042	CHIP RES.	220	1/10W	5%	RMC1/10T 221J	J24205221		1-	A	
R 6043	CHIP RES.	0	1/16W	5%	RMC1/16 000JATP	J24185000		1-	A	
R 6044	CHIP RES.	2.2k	1/16W	5%	RMC1/16 222JATP	J24185222		1-	A	
R 6045	CHIP RES.	180	1/16W	1%	RMC1/16 181FTP	J24183181		1-	A	
R 6046	CHIP RES.	1k	1/16W	1%	RMC1/16 102FTP	J24183102		1-	A	
R 6047	CHIP RES.	470	1/16W	1%	RMC1/16 471FTP	J24183471		1-	A	
R 6048	CHIP RES.	100	1/16W	5%	RMC1/16 101JATP	J24185101		1-	A	
R 6049	CHIP RES.	6.8k	1/16W	1%	RMC1/16 682FTP	J24183682		1-	A	
R 6050	CHIP RES.	330	1/10W	5%	RMC1/10T 331J	J24205331		1-	A	
R 6051	CHIP RES.	33k	1/16W	1%	RMC1/16 333FTP	J24183333		1-	A	
R 6052	CHIP RES.	6.8k	1/16W	1%	RMC1/16 682FTP	J24183682		1-	A	
R 6053	CHIP RES.	10k	1/16W	1%	RMC1/16 103FTP	J24183103		1-	A	
R 6054	CHIP RES.	6.8k	1/16W	1%	RMC1/16 682FTP	J24183682		1-	A	
R 6055	CHIP RES.	100	1/16W	5%	RMC1/16 101JATP	J24185101		1-	A	
R 6056	CHIP RES.	10k	1/16W	1%	RMC1/16 103FTP	J24183103		1-	A	
R 6057	CHIP RES.	3.9k	1/16W	1%	RMC1/16 392FTP	J24183392		1-	A	
R 6058	CHIP RES.	100	1/16W	5%	RMC1/16 101JATP	J24185101		1-	A	
R 6059	CHIP RES.	100k	1/16W	1%	RMC1/16 104FTP	J24183104		1-	A	
R 6060	CHIP RES.	47k	1/16W	1%	RMC1/16 473FTP	J24183473		1-	A	
R 6063	CHIP RES.	33k	1/16W	1%	RMC1/16 333FTP	J24183333		1-	A	
R 6065	CHIP RES.	1.5	1/2W	5%	RMC1/2 1R5JCTP	J24275159		1-	A	
R 6066	CHIP RES.	1.5	1/2W	5%	RMC1/2 1R5JCTP	J24275159		1-	A	
R 6067	CHIP RES.	100	1/16W	5%	RMC1/16 101JATP	J24185101		1-	A	
R 6068	CHIP RES.	100k	1/16W	5%	RMC1/16 104JATP	J24185104		1-	A	
R 6069	CHIP RES.	33	1/10W	5%	RMC1/10T 330J	J24205330		1-	A	
R 6070	CHIP RES.	270k	1/16W	1%	RMC1/16 274FTP	J24183274		1-	A	
R 6071	CHIP RES.	1k	1/10W	5%	RMC1/10T 102J	J24205102		1-	A	
R 6072	CHIP RES.	1k	1/10W	5%	RMC1/10T 102J	J24205102		1-	A	
R 6073	CHIP RES.	270	1W	5%	RMC1 271JTE	J24305271		1-	A	
R 6074	CHIP RES.	270	1W	5%	RMC1 271JTE	J24305271		1-	A	
R 6075	CHIP RES.	100k	1/16W	5%	RMC1/16 104JATP	J24185104		1-	A	
R 6076	CHIP RES.	33	1/10W	5%	RMC1/10T 330J	J24205330		1-	A	
R 6077	CHIP RES.	2.7k	1/16W	5%	RMC1/16 272JATP	J24185272		1-	A	
R 6078	CHIP RES.	10k	1/16W	1%	RMC1/16 103FTP	J24183103		1-	A	
R 6079	CHIP RES.	33k	1/16W	1%	RMC1/16 333FTP	J24183333		1-	A	
R 6080	CHIP RES.	10k	1/16W	5%	RMC1/16 103JATP	J24185103		1-	A	
R 6081	CHIP RES.	10k	1/16W	5%	RMC1/16 103JATP	J24185103		1-	A	
R 6082	CHIP RES.	3.3	1W	5%	RMC1 3R3JTE	J24305339		1-	A	
R 6083	CHIP RES.	0	1/16W	5%	RMC1/16 000JATP	J24185000		1-	A	
R 6084	CHIP RES.	2.7k	1/16W	5%	RMC1/16 272JATP	J24185272		1-	A	
R 6085	CHIP RES.	3.3	1W	5%	RMC1 3R3JTE	J24305339		1-	A	

200W-PA Unit (FTDX101MP)

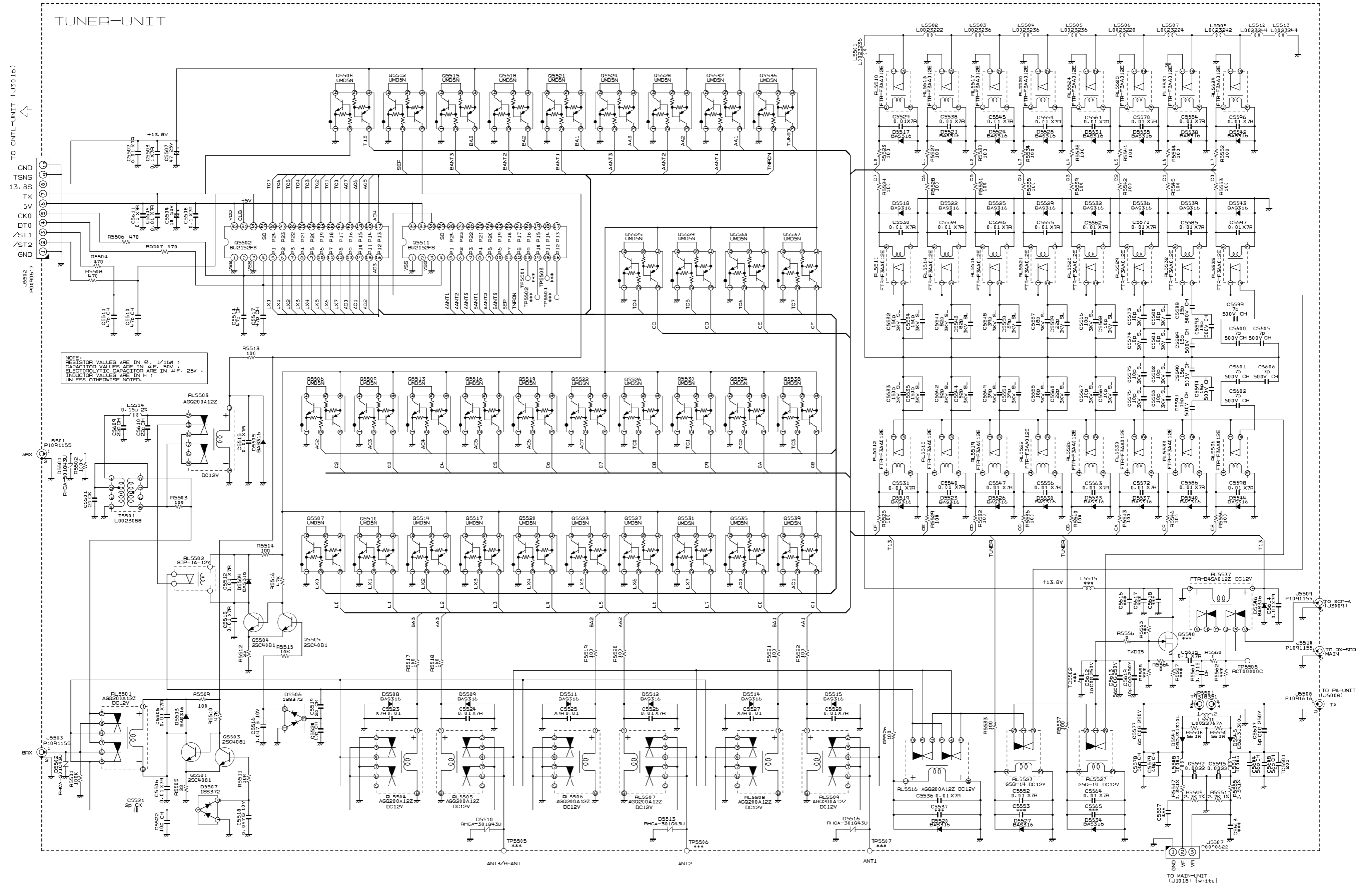
Parts List

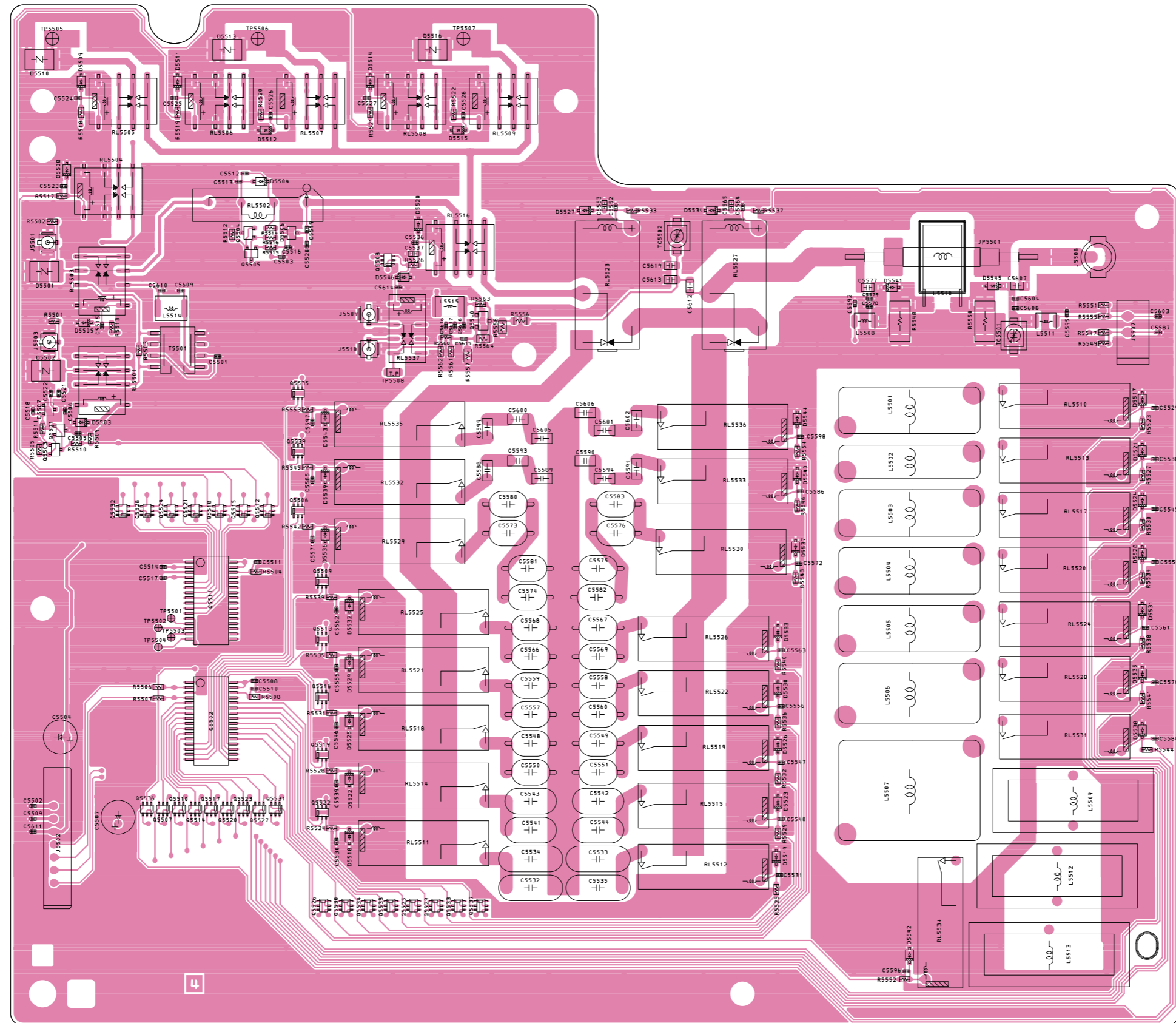
REF	DESCRIPTION	VALUE	V/W	TOL.	MFR'S DESIG	YAESU P/N	VERS.	LOT	SIDE	LAY ADR
R 6086	CHIP RES.	22k	1/10W	5%	RMC1/10T 223J	J24205223		1-	A	
R 6087	CHIP RES.	2.2k	1/10W	5%	RMC1/10T 222J	J24205222		1-	A	
R 6088	CHIP RES.	220	1/16W	5%	RMC1/16 221JATP	J24185221		1-	A	
R 6089	CHIP RES.	100k	1/16W	5%	RMC1/16 104JATP	J24185104		1-	A	
R 6090	CHIP RES.	33	1/10W	5%	RMC1/10T 330J	J24205330		1-	A	
R 6091	CHIP RES.	22k	1/10W	5%	RMC1/10T 223J	J24205223		1-	A	
R 6092	CHIP RES.	2.2k	1/10W	5%	RMC1/10T 222J	J24205222		1-	A	
R 6093	CHIP RES.	220	1/16W	5%	RMC1/16 221JATP	J24185221		1-	A	
R 6094	CHIP RES.	470k	1/16W	5%	RMC1/16 474JATP	J24185474		1-	A	
R 6095	COIL	0.056uH			AS080647-56N	L0022540		1-	A	
R 6096	CHIP RES.	120	2W	5%	TWMC63-1200JTE	J24339074		1-	A	
R 6097	CHIP RES.	120	2W	5%	TWMC63-1200JTE	J24339074		1-	A	
R 6098	COIL	0.056uH			AS080647-56N	L0022540		1-	A	
R 6099	CHIP RES.	22	1W	5%	RMC1 220JTE	J24305220		1-	A	
R 6100	CHIP RES.	22	1W	5%	RMC1 220JTE	J24305220		1-	A	
R 6101	CHIP RES.	1.5k	1/16W	1%	RMC1/16 152FTP	J24183152		1-	A	
R 6102	CHIP RES.	100k	1/16W	5%	RMC1/16 104JATP	J24185104		1-	A	
R 6103	CHIP RES.	33	1/10W	5%	RMC1/10T 330J	J24205330		1-	A	
R 6104	CHIP RES.	5.6k	1/16W	1%	RMC1/16 562FTP	J24183562		1-	A	
R 6105	CHIP RES.	4.7k	1/16W	5%	RMC1/16 472JATP	J24185472		1-	A	
R 6106	CHIP RES.	0.005	2W		TLR3AWDTE5L00F	J24339070		1-	A	
R 6107	CHIP RES.	0.005	2W		TLR3AWDTE5L00F	J24339070		1-	A	
R 6108	CHIP RES.	0.005	2W		TLR3AWDTE5L00F	J24339070		1-	A	
R 6109	CHIP RES.	0.005	2W		TLR3AWDTE5L00F	J24339070		1-	A	
R 6110	CHIP RES.	22k	1/16W	0.1%	RN731JTDD2202B25	J24189410		1-	A	
R 6111	CHIP RES.	22k	1/16W	0.1%	RN731JTDD2202B25	J24189410		1-	A	
R 6112	CHIP RES.	2.7k	1/16W	0.1%	RN731JTDD2701B25	J24189408		1-	A	
R 6113	CHIP RES.	2.7k	1/16W	0.1%	RN731JTDD2701B25	J24189408		1-	A	
R 6114	CHIP RES.	5.6k	1/16W	0.1%	RN731JTDD5601B25	J24189409		1-	A	
R 6115	CHIP RES.	5.6k	1/16W	0.1%	RN731JTDD5601B25	J24189409		1-	A	
R 6116	CHIP RES.	220k	1/16W	1%	RMC1/16 224FTP	J24183224		1-	A	
R 6117	CHIP RES.	220k	1/16W	1%	RMC1/16 224FTP	J24183224		1-	A	
R 6118	CHIP RES.	1k	1/16W	5%	RMC1/16 102JATP	J24185102		1-	A	
R 6119	CHIP RES.	1	1/4W	5%	RMC1/4 1R0JATP	J24245010		1-	A	
R 6120	CHIP RES.	0	1/16W	5%	RMC1/16 000JATP	J24185000		1-	A	
R 6121	CHIP RES.	100	1/10W	5%	RMC1/10T 101J	J24205101		1-	A	
R 6122	CHIP RES.	180	1/16W	5%	RMC1/16 181JATP	J24185181		1	A	
R 6122	CHIP RES.	120	1/16W	5%	RMC1/16 121JATP	J24185121		2-	A	
R 6123	CHIP RES.	27	1/16W	5%	RMC1/16 270JATP	J24185270		1	A	
R 6123	CHIP RES.	56	1/16W	5%	RMC1/16 560JATP	J24185560		2-	A	
R 6124	CHIP RES.	180	1/16W	5%	RMC1/16 181JATP	J24185181		1	A	
R 6124	CHIP RES.	120	1/16W	5%	RMC1/16 121JATP	J24185121		2-	A	
R 6125	CHIP RES.	4.7k	1/16W	5%	RMC1/16 472JATP	J24185472		1	A	
R 6125	CHIP RES.	6.8k	1/16W	5%	RMC1/16 682JATP	J24185682		2-	A	
R 6126	CHIP RES.	4.7k	1/16W	5%	RMC1/16 472JATP	J24185472		1-	A	
R 6127	CHIP RES.	4.7k	1/16W	5%	RMC1/16 472JATP	J24185472		1-	A	
R 6128	CHIP RES.	270	1/16W	5%	RMC1/16 271JATP	J24185271		1-	A	
R 6129	CHIP RES.	18	1/16W	5%	RMC1/16 180JATP	J24185180		1-	A	
R 6130	CHIP RES.	270	1/16W	5%	RMC1/16 271JATP	J24185271		1-	A	
R 6131	CHIP RES.	22	1/4W	5%	RMC1/4 220JATP	J24245220		1-	A	
R 6132	CHIP RES.	22	1/4W	5%	RMC1/4 220JATP	J24245220		1-	A	
R 6133	CHIP RES.	10k	1/10W	5%	RMC1/10T 103J	J24205103		1-	A	
R 6134	CHIP RES.	0	1/16W	5%	RMC1/16 000JATP	J24185000		1-	A	
R 6135	CHIP RES.	47	1/16W	5%	RMC1/16 470JATP	J24185470		2-	A	
R 6136	CHIP RES.	4.7k	1/16W	5%	RMC1/16 472JATP	J24185472		2-	A	
R 6138	CHIP RES.	10k	1/16W	5%	RMC1/16 103JATP	J24185103		2-	A	
R 6139	CHIP RES.	0	1/16W	5%	RMC1/16 000JATP	J24185000		2-	A	
R 6140	CHIP RES.	100k	1/16W	5%	RMC1/16 104JATP	J24185104		2-	A	
RL6001	RELAY		DC12V		FTR-P3CN012W1	M1190236		1-	A	
RL6002	RELAY		DC12V		AJQ1341 DC12V	M1190172		1-	A	
RL6003	RELAY		DC12V		AJQ1341 DC12V	M1190172		1-	A	
RL6004	RELAY		DC12V		AJQ1341 DC12V	M1190172		1-	A	
RL6005	RELAY		DC12V		AJQ1341 DC12V	M1190172		1-	A	
RL6006	RELAY		DC12V		AJQ1341 DC12V	M1190172		1-	A	
RL6007	RELAY		DC12V		AJQ1341 DC12V	M1190172		1-	A	
RL6008	RELAY		DC12V		JS-12-K DC12V	M1190154		1-	A	
RL6009	RELAY		DC12V		AJQ1341 DC12V	M1190172		1-	A	
RL6010	RELAY		DC12V		AJQ1341 DC12V	M1190172		1-	A	
RL6011	RELAY		DC12V		AJQ1341 DC12V	M1190172		1-	A	
RL6012	RELAY		DC12V		AJQ1341 DC12V	M1190172		1-	A	
RL6013	RELAY		DC12V		AJQ1341 DC12V	M1190172		1-	A	
RL6014	RELAY		DC12V		AJQ1341 DC12V	M1190172		1-	A	
RL6015	RELAY		DC12V		JS-12-K DC12V	M1190154		1-	A	
RL6016	RELAY		DC12V		FTR-B4SA012Z-B05	M1190209		2-	A	
T 6001	TOROIDAL COIL	5.1uH			ERL9608	L0023250		1-	A	

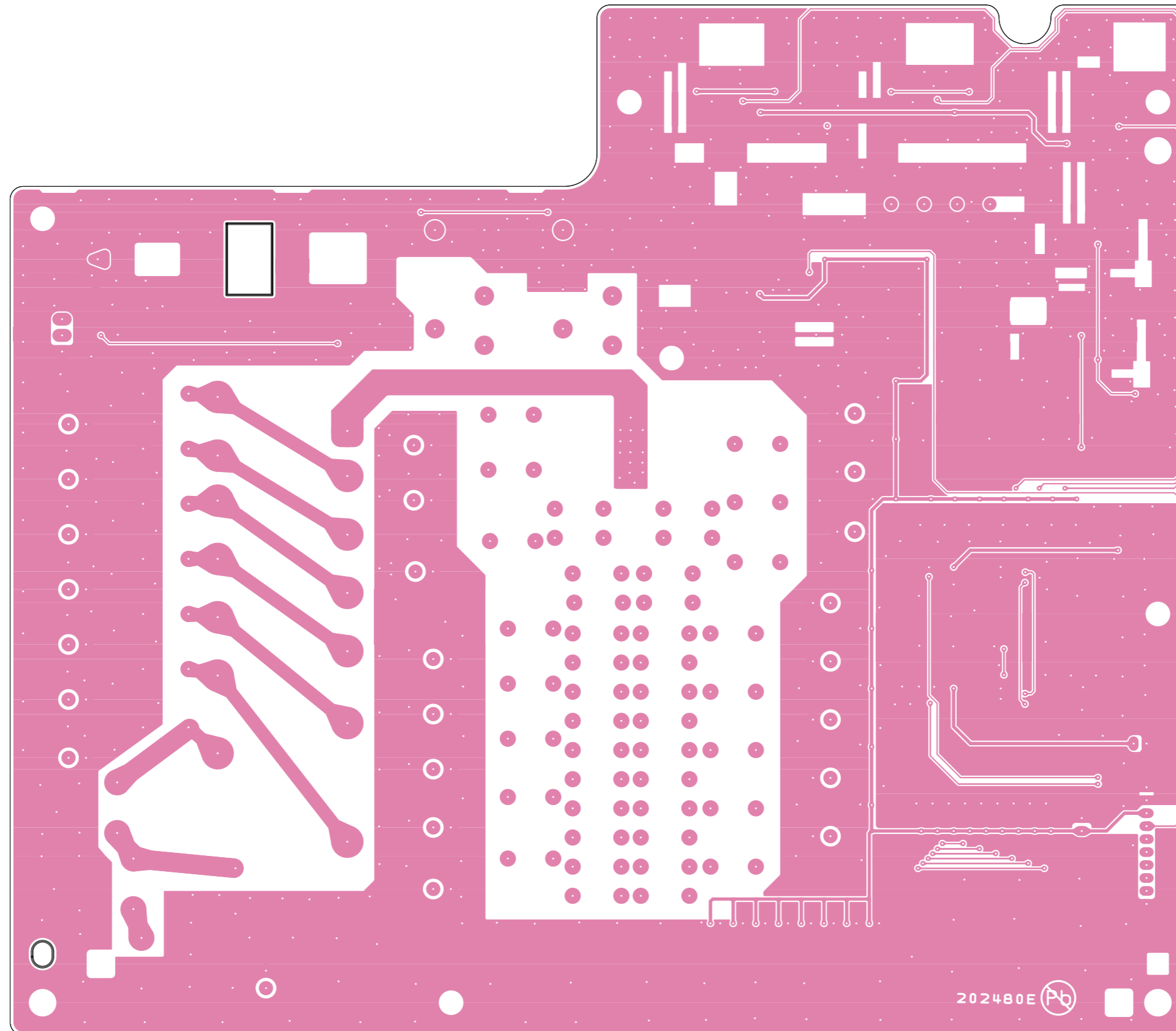
200W-PA Unit (FTDX101MP)

Parts List

REF	DESCRIPTION	VALUE	V/W	TOL.	MFR'S DESIG	YAESU P/N	VERS.	LOT	SIDE	LAY ADR
T 6002	COIL 10WIDE				BC-278	L0022857		1-	A	
T 6003	COIL PWR-WIDE				D12A1T RIB10	L0023112		1-	A	
T 6004	COIL PWR-WIDE				D12A TR16	L0022068		1-	A	
T 6005	COIL PWR-WIDE				D12A RIB21	L0022883		1-	A	
T 6006	TOROIDAL COIL				D12A RI16X8X8(H007)	L0022745		1-	A	
TH6001	THERMISTOR				ERTJ0ER103J	G9090119		1-	A	
TH6002	THERMISTOR				ERTJ0ER103J	G9090119		1-	A	
TP6006	CHECK TERMINAL				RCTCTE	Q5000103		2-	A	
VR6001	POT.	1k			VG039NCHXTB102	J51846102		1-	A	
VR6002	POT.	2.2k			VG039NCHXTB222	J51846222		1-	A	
VR6003	POT.	2.2k			VG039NCHXTB222	J51846222		1-	A	
VR6004	POT.	2.2k			VG039NCHXTB222	J51846222		1-	A	
VR6005	POT.	2.2k			VG039NCHXTB222	J51846222		1-	A	
VR6006	POT.	10k			VG039NCHXTB103	J51846103		1-	A	
VR6007	POT.	10k			VG039NCHXTB103	J51846103		2-	A	







TUNER Unit (FTDX101D)

Parts List

REF	DESCRIPTION	VALUE	V/W	TOL.	MFR'S DESIG	YAESU P/N	VERS.	LOT	SIDE	LAY ADR
C 5501	CHIP CAP.	2pF	50V	CK	GRM1554C1H2R0CA01D	K22178204		1-	A	
C 5502	CHIP CAP.	0.01uF	50V	X7R	GRM155R71H103KA88D	K22178848		1-	A	
C 5503	CHIP CAP.	0.1uF	50V	X7R	GRM155R71H104KE14D	K22178872		1-	A	
C 5504	AL.ELECTRO.CAP.	10uF	50V		RE2-50V100ME3#	K40179041		1-	A	
C 5505	CHIP CAP.	0.01uF	50V	X7R	GRM155R71H103KA88D	K22178848		1-	A	
C 5506	CHIP CAP.	0.01uF	50V	X7R	GRM155R71H103KA88D	K22178848		1-	A	
C 5507	AL.ELECTRO.CAP.	47uF	25V		RE2-25V470ME3#	K40149035		1-	A	
C 5508	CHIP CAP.	0.1uF	50V	X7R	GRM155R71H104KE14D	K22178872		1-	A	
C 5509	CHIP CAP.	0.01uF	50V	X7R	GRM155R71H103KA88D	K22178848		1-	A	
C 5510	CHIP CAP.	47pF	50V	CH	GRM1552C1H470JA01D	K22178228		1-	A	
C 5511	CHIP CAP.	47pF	50V	CH	GRM1552C1H470JA01D	K22178228		1-	A	
C 5512	CHIP CAP.	0.01uF	50V	X7R	GRM155R71H103KA88D	K22178848		1-	A	
C 5513	CHIP CAP.	0.01uF	50V	X7R	GRM155R71H103KA88D	K22178848		1-	A	
C 5514	CHIP CAP.	47pF	50V	CH	GRM1552C1H470JA01D	K22178228		1-	A	
C 5515	CHIP CAP.	0.01uF	50V	X7R	GRM155R71H103KA88D	K22178848		1-	A	
C 5516	CHIP CAP.	0.047uF	10V	B	GRM155B11A473KA01D	K22108801		1-	A	
C 5517	CHIP CAP.	47pF	50V	CH	GRM1552C1H470JA01D	K22178228		1-	A	
C 5518	CHIP CAP.	0.047uF	10V	B	GRM155B11A473KA01D	K22108801		1-	A	
C 5519	CHIP CAP.	2pF	50V	CK	GRM1554C1H2R0CA01D	K22178204		1-	A	
C 5520	CHIP CAP.	10pF	50V	CH	GRM1552C1H100BA01D	K22178297		1-	A	
C 5521	CHIP CAP.	2pF	50V	CK	GRM1554C1H2R0CA01D	K22178204		1-	A	
C 5522	CHIP CAP.	10pF	50V	CH	GRM1552C1H100BA01D	K22178297		1-	A	
C 5523	CHIP CAP.	0.01uF	50V	X7R	GRM155R71H103KA88D	K22178848		1-	A	
C 5524	CHIP CAP.	0.01uF	50V	X7R	GRM155R71H103KA88D	K22178848		1-	A	
C 5525	CHIP CAP.	0.01uF	50V	X7R	GRM155R71H103KA88D	K22178848		1-	A	
C 5526	CHIP CAP.	0.01uF	50V	X7R	GRM155R71H103KA88D	K22178848		1-	A	
C 5527	CHIP CAP.	0.01uF	50V	X7R	GRM155R71H103KA88D	K22178848		1-	A	
C 5528	CHIP CAP.	0.01uF	50V	X7R	GRM155R71H103KA88D	K22178848		1-	A	
C 5529	CHIP CAP.	0.01uF	50V	X7R	GRM155R71H103KA88D	K22178848		1-	A	
C 5530	CHIP CAP.	0.01uF	50V	X7R	GRM155R71H103KA88D	K22178848		1-	A	
C 5531	CHIP CAP.	0.01uF	50V	X7R	GRM155R71H103KA88D	K22178848		1-	A	
C 5532	CERAMIC CAP.	150pF	3KV	SL	CC45SL3FD151JYNNA	K00359035		1-	A	
C 5533	CERAMIC CAP.	150pF	3KV	SL	CC45SL3FD151JYNNA	K00359035		1-	A	
C 5534	CERAMIC CAP.	150pF	3KV	SL	CC45SL3FD151JYNNA	K00359035		1-	A	
C 5535	CERAMIC CAP.	150pF	3KV	SL	CC45SL3FD151JYNNA	K00359035		1-	A	
C 5536	CHIP CAP.	0.01uF	50V	X7R	GRM155R71H103KA88D	K22178848		1-	A	
C 5538	CHIP CAP.	0.01uF	50V	X7R	GRM155R71H103KA88D	K22178848		1-	A	
C 5539	CHIP CAP.	0.01uF	50V	X7R	GRM155R71H103KA88D	K22178848		1-	A	
C 5540	CHIP CAP.	0.01uF	50V	X7R	GRM155R71H103KA88D	K22178848		1-	A	
C 5541	CERAMIC CAP.	82pF	3KV	SL	CC45SL3FD820JYNNA	K00359034		1-	A	
C 5542	CERAMIC CAP.	82pF	3KV	SL	CC45SL3FD820JYNNA	K00359034		1-	A	
C 5543	CERAMIC CAP.	82pF	3KV	SL	CC45SL3FD820JYNNA	K00359034		1-	A	
C 5544	CERAMIC CAP.	82pF	3KV	SL	CC45SL3FD820JYNNA	K00359034		1-	A	
C 5545	CHIP CAP.	0.01uF	50V	X7R	GRM155R71H103KA88D	K22178848		1-	A	
C 5546	CHIP CAP.	0.01uF	50V	X7R	GRM155R71H103KA88D	K22178848		1-	A	
C 5547	CHIP CAP.	0.01uF	50V	X7R	GRM155R71H103KA88D	K22178848		1-	A	
C 5548	CERAMIC CAP.	39pF	3KV	SL	CC45SL3FD390JYNNA	K00359033		1-	A	
C 5549	CERAMIC CAP.	39pF	3KV	SL	CC45SL3FD390JYNNA	K00359033		1-	A	
C 5550	CERAMIC CAP.	39pF	3KV	SL	CC45SL3FD390JYNNA	K00359033		1-	A	
C 5551	CERAMIC CAP.	39pF	3KV	SL	CC45SL3FD390JYNNA	K00359033		1-	A	
C 5552	CHIP CAP.	0.01uF	50V	X7R	GRM155R71H103KA88D	K22178848		1-	A	
C 5554	CHIP CAP.	0.01uF	50V	X7R	GRM155R71H103KA88D	K22178848		1-	A	
C 5555	CHIP CAP.	0.01uF	50V	X7R	GRM155R71H103KA88D	K22178848		1-	A	
C 5556	CHIP CAP.	0.01uF	50V	X7R	GRM155R71H103KA88D	K22178848		1-	A	
C 5557	CERAMIC CAP.	18pF	3KV	SL	CC45SL3FD180JYNNA	K00359028		1-	A	
C 5558	CERAMIC CAP.	18pF	3KV	SL	CC45SL3FD180JYNNA	K00359028		1-	A	
C 5559	CERAMIC CAP.	22pF	3KV	SL	CC45SL3FD220JYNNA	K00359038		1-	A	
C 5560	CERAMIC CAP.	22pF	3KV	SL	CC45SL3FD220JYNNA	K00359038		1-	A	
C 5561	CHIP CAP.	0.01uF	50V	X7R	GRM155R71H103KA88D	K22178848		1-	A	
C 5562	CHIP CAP.	0.01uF	50V	X7R	GRM155R71H103KA88D	K22178848		1-	A	
C 5563	CHIP CAP.	0.01uF	50V	X7R	GRM155R71H103KA88D	K22178848		1-	A	
C 5564	CHIP CAP.	0.01uF	50V	X7R	GRM155R71H103KA88D	K22178848		1-	A	
C 5566	CERAMIC CAP.	10pF	3KV	SL	CC45SL3FD100JYNNA	K00359037		1-	A	
C 5567	CERAMIC CAP.	10pF	3KV	SL	CC45SL3FD100JYNNA	K00359037		1-	A	
C 5568	CERAMIC CAP.	10pF	3KV	SL	CC45SL3FD100JYNNA	K00359037		1-	A	
C 5569	CERAMIC CAP.	10pF	3KV	SL	CC45SL3FD100JYNNA	K00359037		1-	A	
C 5570	CHIP CAP.	0.01uF	50V	X7R	GRM155R71H103KA88D	K22178848		1-	A	
C 5571	CHIP CAP.	0.01uF	50V	X7R	GRM155R71H103KA88D	K22178848		1-	A	
C 5572	CHIP CAP.	0.01uF	50V	X7R	GRM155R71H103KA88D	K22178848		1-	A	
C 5573	CERAMIC CAP.	10pF	3KV	SL	CC45SL3FD100JYNNA	K00359037		1-	A	
C 5574	CERAMIC CAP.	10pF	3KV	SL	CC45SL3FD100JYNNA	K00359037		1-	A	
C 5575	CERAMIC CAP.	10pF	3KV	SL	CC45SL3FD100JYNNA	K00359037		1-	A	
C 5576	CERAMIC CAP.	10pF	3KV	SL	CC45SL3FD100JYNNA	K00359037		1-	A	
C 5577	CHIP CAP.	6pF	250V	CH	GQM2195C2E6R0CB12D	K22240259		1-	A	
C 5578	CHIP CAP.	56pF	50V	CH	GRM1552C1H560JA01D	K22178230		1-	A	

TUNER Unit (FTDX101D)

Parts List

REF	DESCRIPTION	VALUE	V/W	TOL.	MFR'S DESIG	YAESU P/N	VERS.	LOT	SIDE	LAY ADR
C 5579	CHIP CAP.	68pF	50V	CH	GRM1552C1H680JA01D	K22178232		1-	A	
C 5580	CERAMIC CAP.	10pF	3KV	SL	CC45SL3FD100JYNNA	K00359037		1-	A	
C 5581	CERAMIC CAP.	10pF	3KV	SL	CC45SL3FD100JYNNA	K00359037		1-	A	
C 5582	CERAMIC CAP.	10pF	3KV	SL	CC45SL3FD100JYNNA	K00359037		1-	A	
C 5583	CERAMIC CAP.	10pF	3KV	SL	CC45SL3FD100JYNNA	K00359037		1-	A	
C 5584	CHIP CAP.	0.01uF	50V	X7R	GRM155R71H103KA88D	K22178848		1-	A	
C 5585	CHIP CAP.	0.01uF	50V	X7R	GRM155R71H103KA88D	K22178848		1-	A	
C 5586	CHIP CAP.	0.01uF	50V	X7R	GRM155R71H103KA88D	K22178848		1-	A	
C 5588	CHIP CAP.	15pF	500V	CH	CF316CH150J500AT	K22271288		1-	A	
C 5589	CHIP CAP.	15pF	500V	CH	CF316CH150J500AT	K22271288		1-	A	
C 5590	CHIP CAP.	15pF	500V	CH	CF316CH150J500AT	K22271288		1-	A	
C 5591	CHIP CAP.	15pF	500V	CH	CF316CH150J500AT	K22271288		1-	A	
C 5592	CHIP CAP.	0.0022uF	50V	B	GRM155B11H222KA01D	K22178813		1-	A	
C 5593	CHIP CAP.	15pF	500V	CH	CF316CH150J500AT	K22271288		1-	A	
C 5594	CHIP CAP.	15pF	500V	CH	CF316CH150J500AT	K22271288		1-	A	
C 5595	CHIP CAP.	0.0022uF	50V	B	GRM155B11H222KA01D	K22178813		1-	A	
C 5596	CHIP CAP.	0.01uF	50V	X7R	GRM155R71H103KA88D	K22178848		1-	A	
C 5597	CHIP CAP.	0.01uF	50V	X7R	GRM155R71H103KA88D	K22178848		1-	A	
C 5598	CHIP CAP.	0.01uF	50V	X7R	GRM155R71H103KA88D	K22178848		1-	A	
C 5599	CHIP CAP.	7pF	500V	CH	CF316CH070D500AT	K22271252		1-	A	
C 5600	CHIP CAP.	7pF	500V	CH	CF316CH070D500AT	K22271252		1-	A	
C 5601	CHIP CAP.	7pF	500V	CH	CF316CH070D500AT	K22271252		1-	A	
C 5602	CHIP CAP.	7pF	500V	CH	CF316CH070D500AT	K22271252		1-	A	
C 5604	CHIP CAP.	56pF	50V	CH	GRM1552C1H560JA01D	K22178230		1-	A	
C 5605	CHIP CAP.	7pF	500V	CH	CF316CH070D500AT	K22271252		1-	A	
C 5606	CHIP CAP.	7pF	500V	CH	CF316CH070D500AT	K22271252		1-	A	
C 5607	CHIP CAP.	6pF	250V	CH	GQM2195C2E6R0CB12D	K22240259		1-	A	
C 5608	CHIP CAP.	56pF	50V	CH	GRM1552C1H560JA01D	K22178230		1-	A	
C 5609	CHIP CAP.	22pF	50V	CH	GRM1552C1H220JA01D	K22178220		1-	A	
C 5610	CHIP CAP.	22pF	50V	CH	GRM1552C1H220JA01D	K22178220		1-	A	
C 5611	CHIP CAP.	0.1uF	50V	X7R	GRM155R71H104KE14D	K22178872		1-	A	
C 5612	CHIP CAP.	1pF	250V	C0G	GQM2195C2E1R0CB12D	K22240244		1-	A	
C 5613	CHIP CAP.	56pF	250V	C0G	GQM2195C2E560JB12D	K22240255		1-	A	
C 5614	CHIP CAP.	0.01uF	50V	X7R	GRM155R71H103KA88D	K22178848		1-	A	
C 5615	CHIP CAP.	0.1uF	50V	X7R	GRM155R71H104KE14D	K22178872		1-	A	
C 5619	CHIP CAP.	10pF	250V	C0G	GQM2195C2E100JB12D	K22240253		1-	A	
D 5501	SURGE ABSORBER				RHCA-501Q43U	Q9000922		1-	A	
D 5502	SURGE ABSORBER				RHCA-201Q43U	Q9000825		1-	A	
D 5503	DIODE				BAS316	G2070716		1-	A	
D 5504	DIODE				BAS316	G2070716		1-	A	
D 5505	DIODE				BAS316	G2070716		1-	A	
D 5506	DIODE				1SS372(TE85R.F)	G2070632		1-	A	
D 5507	DIODE				1SS372(TE85R.F)	G2070632		1-	A	
D 5508	DIODE				BAS316	G2070716		1-	A	
D 5509	DIODE				BAS316	G2070716		1-	A	
D 5510	SURGE ABSORBER				RHCA-301Q43U	Q9000827		1-	A	
D 5511	DIODE				BAS316	G2070716		1-	A	
D 5512	DIODE				BAS316	G2070716		1-	A	
D 5513	SURGE ABSORBER				RHCA-301Q43U	Q9000827		1-	A	
D 5514	DIODE				BAS316	G2070716		1-	A	
D 5515	DIODE				BAS316	G2070716		1-	A	
D 5516	SURGE ABSORBER				RHCA-301Q43U	Q9000827		1-	A	
D 5517	DIODE				BAS316	G2070716		1-	A	
D 5518	DIODE				BAS316	G2070716		1-	A	
D 5519	DIODE				BAS316	G2070716		1-	A	
D 5520	DIODE				BAS316	G2070716		1-	A	
D 5521	DIODE				BAS316	G2070716		1-	A	
D 5522	DIODE				BAS316	G2070716		1-	A	
D 5523	DIODE				BAS316	G2070716		1-	A	
D 5524	DIODE				BAS316	G2070716		1-	A	
D 5525	DIODE				BAS316	G2070716		1-	A	
D 5526	DIODE				BAS316	G2070716		1-	A	
D 5527	DIODE				BAS316	G2070716		1-	A	
D 5528	DIODE				BAS316	G2070716		1-	A	
D 5529	DIODE				BAS316	G2070716		1-	A	
D 5530	DIODE				BAS316	G2070716		1-	A	
D 5531	DIODE				BAS316	G2070716		1-	A	
D 5532	DIODE				BAS316	G2070716		1-	A	
D 5533	DIODE				BAS316	G2070716		1-	A	
D 5534	DIODE				BAS316	G2070716		1-	A	
D 5535	DIODE				BAS316	G2070716		1-	A	
D 5536	DIODE				BAS316	G2070716		1-	A	
D 5537	DIODE				BAS316	G2070716		1-	A	
D 5538	DIODE				BAS316	G2070716		1-	A	
D 5539	DIODE				BAS316	G2070716		1-	A	

TUNER Unit (FTDX101D)

Parts List

REF	DESCRIPTION	VALUE	V/W	TOL.	MFR'S DESIG	YAESU P/N	VERS.	LOT	SIDE	LAY ADR
D 5540	DIODE				BAS316	G2070716		1-	A	
D 5541	DIODE				DB2J31300L	G2071338		1-	A	
D 5542	DIODE				BAS316	G2070716		1-	A	
D 5543	DIODE				BAS316	G2070716		1-	A	
D 5544	DIODE				BAS316	G2070716		1-	A	
D 5545	DIODE				DB2J31300L	G2071338		1-	A	
D 5546	DIODE				BAS316	G2070716		1-	A	
J 5501	CONNECTOR				U.FL-R-SMT(10)	P1091155		1-	A	
J 5502	CONNECTOR				SB20-10WS	P0090617		1-	A	
J 5503	CONNECTOR				U.FL-R-SMT(10)	P1091155		1-	A	
J 5507	CONNECTOR				SC25-03WS	P0090622		1-	A	
J 5508	CONNECTOR				TMPR-S SJ050010	P1091616		1-	A	
J 5509	CONNECTOR				U.FL-R-SMT(10)	P1091155		1-	A	
J 5510	CONNECTOR				U.FL-R-SMT(10)	P1091155		1-	A	
JP5501	WIRE ASSY				GRA 30 */* QEV	T9318351		1-	A	
L 5501	COIL A1				ERLD119	L0023236		1-	A	
L 5502	COIL A1				ERLD118	L0023222		1-	A	
L 5503	COIL A1				ERLD119	L0023236		1-	A	
L 5504	COIL A1				ERLD119	L0023236		1-	A	
L 5505	COIL A1				ERLD119	L0023236		1-	A	
L 5506	COIL A1				ERLD120	L0023220		1-	A	
L 5507	COIL A1				ERLD121	L0023224		1-	A	
L 5508	M.RFC	1000uH			LLM3225-102J	L1691157		1-	A	
L 5509	TOROIDAL COIL	2.6uH			ERLA713	L0023242		1-	A	
L 5510	TOROIDAL COIL	260uH			260U 3A RI9.3-4.8-5	L0022767A		1-	A	
L 5511	M.RFC	1000uH			LLM3225-102J	L1691157		1-	A	
L 5512	TOROIDAL COIL	3.9uH			ERLA712	L0023244		1-	A	
L 5513	TOROIDAL COIL	3.9uH			ERLA712	L0023244		1-	A	
L 5514	M.RFC	0.15uH		2%	HA4031-ALC	L1691992		1-	A	
Q 5501	TRANSISTOR				2SC4081 T106	G3340818		1-	A	
Q 5502	IC				BU2152FS(TAPE)	G1093942		1-	A	
Q 5503	TRANSISTOR				2SC4081 T106	G3340818		1-	A	
Q 5504	TRANSISTOR				2SC4081 T106	G3340818		1-	A	
Q 5505	TRANSISTOR				2SC4081 T106	G3340818		1-	A	
Q 5506	TRANSISTOR				UMD5N TR	G3070343		1-	A	
Q 5507	TRANSISTOR				UMD5N TR	G3070343		1-	A	
Q 5508	TRANSISTOR				UMD5N TR	G3070343		1-	A	
Q 5509	TRANSISTOR				UMD5N TR	G3070343		1-	A	
Q 5510	TRANSISTOR				UMD5N TR	G3070343		1-	A	
Q 5511	IC				BU2152FS(TAPE)	G1093942		1-	A	
Q 5512	TRANSISTOR				UMD5N TR	G3070343		1-	A	
Q 5513	TRANSISTOR				UMD5N TR	G3070343		1-	A	
Q 5514	TRANSISTOR				UMD5N TR	G3070343		1-	A	
Q 5515	TRANSISTOR				UMD5N TR	G3070343		1-	A	
Q 5516	TRANSISTOR				UMD5N TR	G3070343		1-	A	
Q 5517	TRANSISTOR				UMD5N TR	G3070343		1-	A	
Q 5518	TRANSISTOR				UMD5N TR	G3070343		1-	A	
Q 5519	TRANSISTOR				UMD5N TR	G3070343		1-	A	
Q 5520	TRANSISTOR				UMD5N TR	G3070343		1-	A	
Q 5521	TRANSISTOR				UMD5N TR	G3070343		1-	A	
Q 5522	TRANSISTOR				UMD5N TR	G3070343		1-	A	
Q 5523	TRANSISTOR				UMD5N TR	G3070343		1-	A	
Q 5524	TRANSISTOR				UMD5N TR	G3070343		1-	A	
Q 5525	TRANSISTOR				UMD5N TR	G3070343		1-	A	
Q 5526	TRANSISTOR				UMD5N TR	G3070343		1-	A	
Q 5527	TRANSISTOR				UMD5N TR	G3070343		1-	A	
Q 5528	TRANSISTOR				UMD5N TR	G3070343		1-	A	
Q 5529	TRANSISTOR				UMD5N TR	G3070343		1-	A	
Q 5530	TRANSISTOR				UMD5N TR	G3070343		1-	A	
Q 5531	TRANSISTOR				UMD5N TR	G3070343		1-	A	
Q 5532	TRANSISTOR				UMD5N TR	G3070343		1-	A	
Q 5533	TRANSISTOR				UMD5N TR	G3070343		1-	A	
Q 5534	TRANSISTOR				UMD5N TR	G3070343		1-	A	
Q 5535	TRANSISTOR				UMD5N TR	G3070343		1-	A	
Q 5536	TRANSISTOR				UMD5N TR	G3070343		1-	A	
Q 5537	TRANSISTOR				UMD5N TR	G3070343		1-	A	
Q 5538	TRANSISTOR				UMD5N TR	G3070343		1-	A	
Q 5539	TRANSISTOR				UMD5N TR	G3070343		1-	A	
R 5501	CHIP RES.	100k	1/16W	5%	RMC1/16 104JATP	J24185104		1-	A	
R 5502	CHIP RES.	100k	1/16W	5%	RMC1/16 104JATP	J24185104		1-	A	
R 5503	CHIP RES.	100	1/16W	5%	RMC1/16 101JATP	J24185101		1-	A	
R 5504	CHIP RES.	470	1/16W	5%	RMC1/16 471JATP	J24185471		1-	A	
R 5505	CHIP RES.	22	1/16W	5%	RMC1/16 220JATP	J24185220		1-	A	
R 5506	CHIP RES.	470	1/16W	5%	RMC1/16 471JATP	J24185471		1-	A	
R 5507	CHIP RES.	470	1/16W	5%	RMC1/16 471JATP	J24185471		1-	A	

TUNER Unit (FTDX101D)

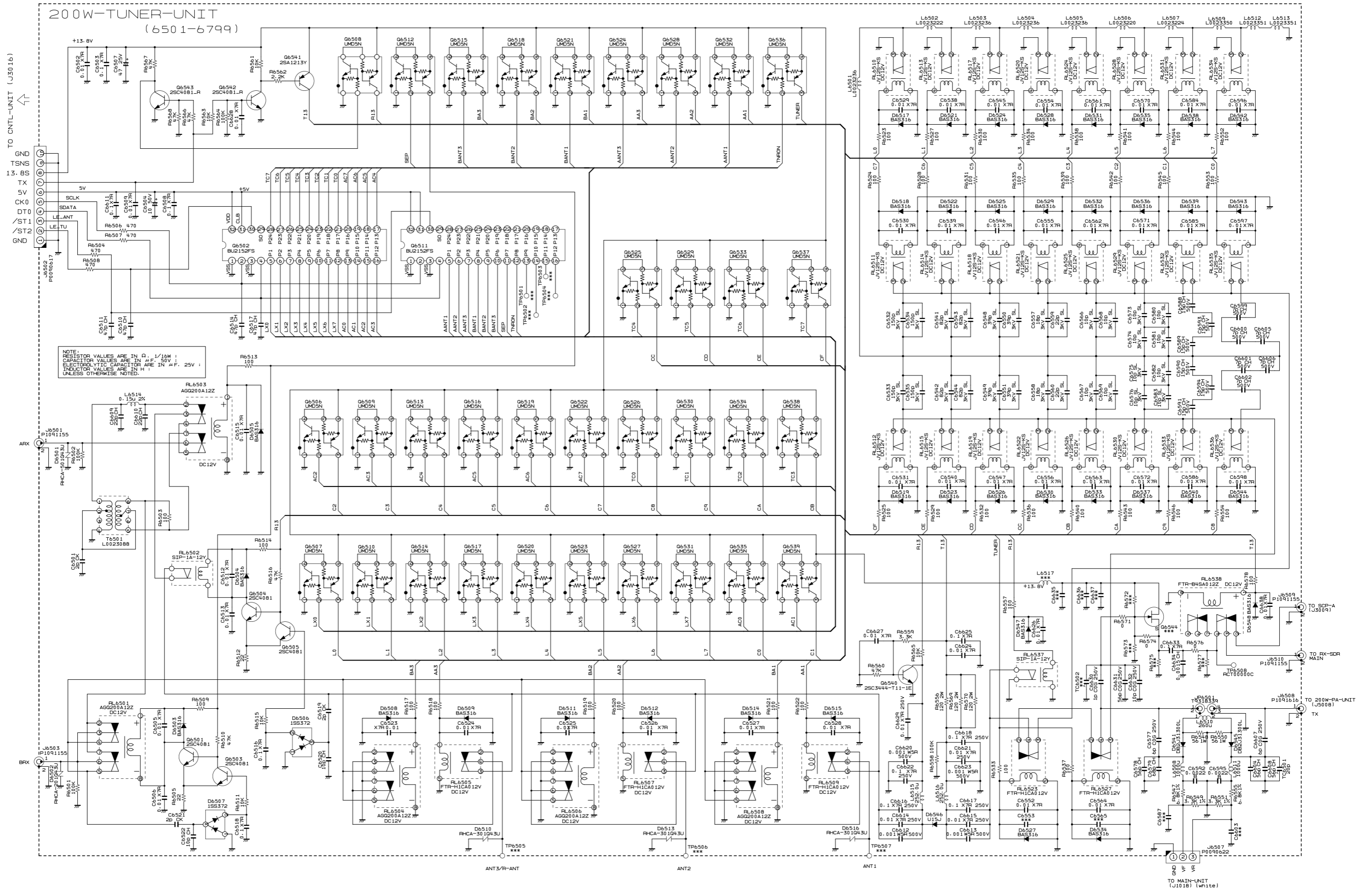
Parts List

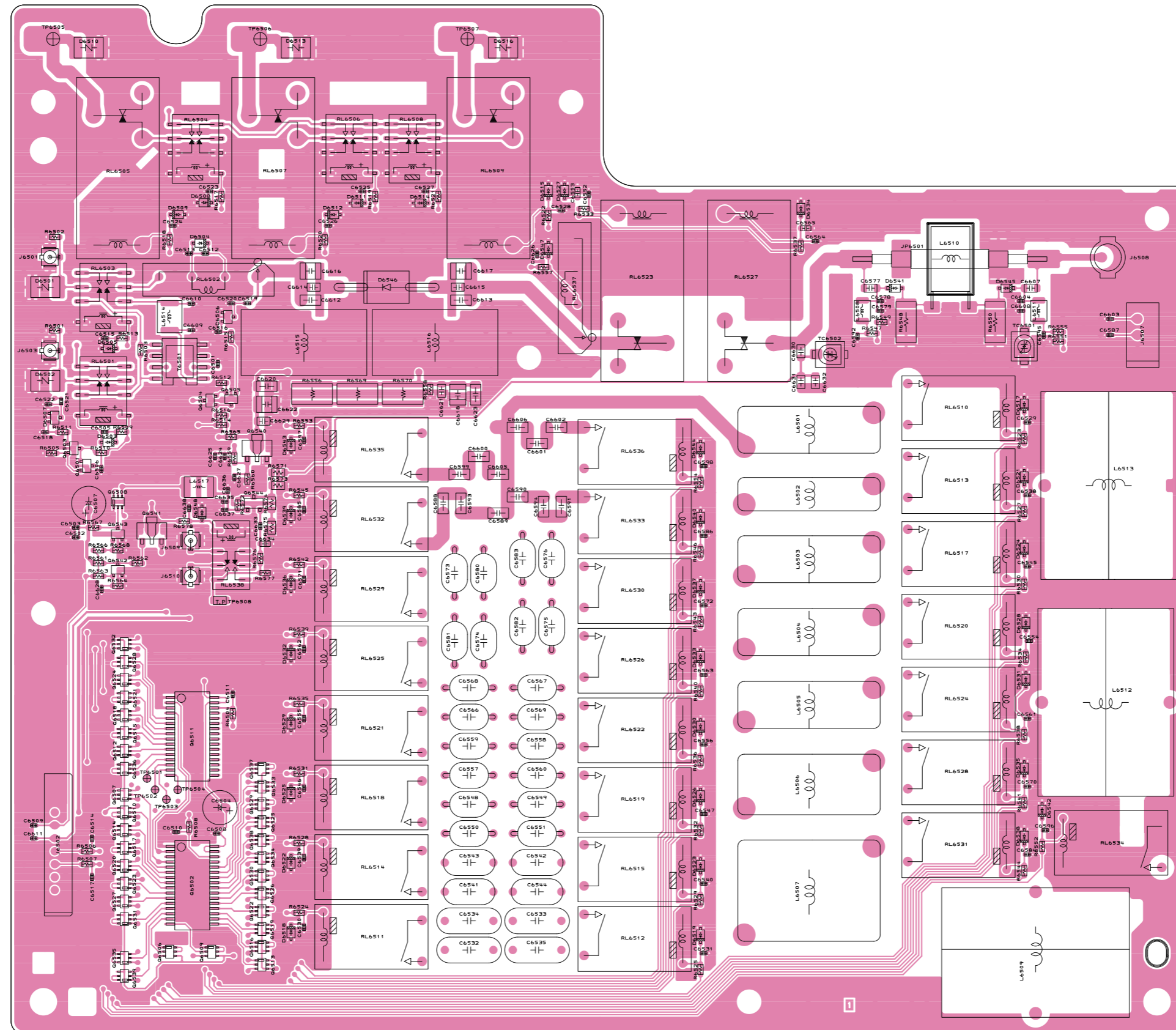
REF	DESCRIPTION	VALUE	V/W	TOL.	MFR'S DESIG	YAESU P/N	VERS.	LOT	SIDE	LAY ADR
R 5508	CHIP RES.	470	1/16W	5%	RMC1/16 471JATP	J24185471		1-	A	
R 5509	CHIP RES.	100	1/16W	5%	RMC1/16 101JATP	J24185101		1-	A	
R 5510	CHIP RES.	47k	1/16W	5%	RMC1/16 473JATP	J24185473		1-	A	
R 5511	CHIP RES.	10k	1/16W	5%	RMC1/16 103JATP	J24185103		1-	A	
R 5512	CHIP RES.	22	1/16W	5%	RMC1/16 220JATP	J24185220		1-	A	
R 5513	CHIP RES.	100	1/16W	5%	RMC1/16 101JATP	J24185101		1-	A	
R 5514	CHIP RES.	100	1/16W	5%	RMC1/16 101JATP	J24185101		1-	A	
R 5515	CHIP RES.	10k	1/16W	5%	RMC1/16 103JATP	J24185103		1-	A	
R 5516	CHIP RES.	47k	1/16W	5%	RMC1/16 473JATP	J24185473		1-	A	
R 5517	CHIP RES.	100	1/16W	5%	RMC1/16 101JATP	J24185101		1-	A	
R 5518	CHIP RES.	100	1/16W	5%	RMC1/16 101JATP	J24185101		1-	A	
R 5519	CHIP RES.	100	1/16W	5%	RMC1/16 101JATP	J24185101		1-	A	
R 5520	CHIP RES.	100	1/16W	5%	RMC1/16 101JATP	J24185101		1-	A	
R 5521	CHIP RES.	100	1/16W	5%	RMC1/16 101JATP	J24185101		1-	A	
R 5522	CHIP RES.	100	1/16W	5%	RMC1/16 101JATP	J24185101		1-	A	
R 5523	CHIP RES.	100	1/16W	5%	RMC1/16 101JATP	J24185101		1-	A	
R 5524	CHIP RES.	100	1/16W	5%	RMC1/16 101JATP	J24185101		1-	A	
R 5525	CHIP RES.	100	1/16W	5%	RMC1/16 101JATP	J24185101		1-	A	
R 5526	CHIP RES.	100	1/16W	5%	RMC1/16 101JATP	J24185101		1-	A	
R 5527	CHIP RES.	100	1/16W	5%	RMC1/16 101JATP	J24185101		1-	A	
R 5528	CHIP RES.	100	1/16W	5%	RMC1/16 101JATP	J24185101		1-	A	
R 5529	CHIP RES.	100	1/16W	5%	RMC1/16 101JATP	J24185101		1-	A	
R 5530	CHIP RES.	100	1/16W	5%	RMC1/16 101JATP	J24185101		1-	A	
R 5531	CHIP RES.	100	1/16W	5%	RMC1/16 101JATP	J24185101		1-	A	
R 5532	CHIP RES.	100	1/16W	5%	RMC1/16 101JATP	J24185101		1-	A	
R 5533	CHIP RES.	100	1/16W	5%	RMC1/16 101JATP	J24185101		1-	A	
R 5534	CHIP RES.	100	1/16W	5%	RMC1/16 101JATP	J24185101		1-	A	
R 5535	CHIP RES.	100	1/16W	5%	RMC1/16 101JATP	J24185101		1-	A	
R 5536	CHIP RES.	100	1/16W	5%	RMC1/16 101JATP	J24185101		1-	A	
R 5537	CHIP RES.	100	1/16W	5%	RMC1/16 101JATP	J24185101		1-	A	
R 5538	CHIP RES.	100	1/16W	5%	RMC1/16 101JATP	J24185101		1-	A	
R 5539	CHIP RES.	100	1/16W	5%	RMC1/16 101JATP	J24185101		1-	A	
R 5540	CHIP RES.	100	1/16W	5%	RMC1/16 101JATP	J24185101		1-	A	
R 5541	CHIP RES.	100	1/16W	5%	RMC1/16 101JATP	J24185101		1-	A	
R 5542	CHIP RES.	100	1/16W	5%	RMC1/16 101JATP	J24185101		1-	A	
R 5543	CHIP RES.	100	1/16W	5%	RMC1/16 101JATP	J24185101		1-	A	
R 5544	CHIP RES.	100	1/16W	5%	RMC1/16 101JATP	J24185101		1-	A	
R 5545	CHIP RES.	100	1/16W	5%	RMC1/16 101JATP	J24185101		1-	A	
R 5546	CHIP RES.	100	1/16W	5%	RMC1/16 101JATP	J24185101		1-	A	
R 5547	CHIP RES.	3.3k	1/16W	1%	RMC1/16 332FTP	J24183332		1-	A	
R 5548	CHIP RES.	56	1W	5%	RMC1 560JTE	J24305560		1-	A	
R 5549	CHIP RES.	2.7k	1/16W	1%	RMC1/16 272FTP	J24183272		1-	A	
R 5550	CHIP RES.	56	1W	5%	RMC1 560JTE	J24305560		1-	A	
R 5551	CHIP RES.	2.7k	1/16W	1%	RMC1/16 272FTP	J24183272		1-	A	
R 5552	CHIP RES.	100	1/16W	5%	RMC1/16 101JATP	J24185101		1-	A	
R 5553	CHIP RES.	100	1/16W	5%	RMC1/16 101JATP	J24185101		1-	A	
R 5554	CHIP RES.	100	1/16W	5%	RMC1/16 101JATP	J24185101		1-	A	
R 5555	CHIP RES.	3.3k	1/16W	1%	RMC1/16 332FTP	J24183332		1-	A	
R 5556	CHIP RES.	0	1/10W	5%	RMC1/10T 000J	J24205000		1-	A	
R 5560	CHIP RES.	0	1/16W	5%	RMC1/16 000JATP	J24185000		1-	A	
R 5561	CHIP CAP.	0.0015uF	50V	CH	GRM1882C1H152JA01D	K22174277		1-	A	
R 5564	CHIP RES.	0	1/10W	5%	RMC1/10T 000J	J24205000		1-	A	
RL5501	RELAY		DC12V		AGQ200A12Z DC12V	M1190188		1-	A	
RL5502	REED RELAY				SIP-1A-12Y	M1190202		1-	A	
RL5503	RELAY		DC12V		AGQ200A12Z DC12V	M1190188		1-	A	
RL5504	RELAY		DC12V		AGQ200A12Z DC12V	M1190188		1-	A	
RL5505	RELAY		DC12V		AGQ200A12Z DC12V	M1190188		1-	A	
RL5506	RELAY		DC12V		AGQ200A12Z DC12V	M1190188		1-	A	
RL5507	RELAY		DC12V		AGQ200A12Z DC12V	M1190188		1-	A	
RL5508	RELAY		DC12V		AGQ200A12Z DC12V	M1190188		1-	A	
RL5509	RELAY		DC12V		AGQ200A12Z DC12V	M1190188		1-	A	
RL5510	RELAY				FTR-F3AA012E-(F)	M1190224		1-	A	
RL5511	RELAY				FTR-F3AA012E-(F)	M1190224		1-	A	
RL5512	RELAY				FTR-F3AA012E-(F)	M1190224		1-	A	
RL5513	RELAY				FTR-F3AA012E-(F)	M1190224		1-	A	
RL5514	RELAY				FTR-F3AA012E-(F)	M1190224		1-	A	
RL5515	RELAY				FTR-F3AA012E-(F)	M1190224		1-	A	
RL5516	RELAY		DC12V		AGQ200A12Z DC12V	M1190188		1-	A	
RL5517	RELAY				FTR-F3AA012E-(F)	M1190224		1-	A	
RL5518	RELAY				FTR-F3AA012E-(F)	M1190224		1-	A	
RL5519	RELAY				FTR-F3AA012E-(F)	M1190224		1-	A	
RL5520	RELAY				FTR-F3AA012E-(F)	M1190224		1-	A	
RL5521	RELAY				FTR-F3AA012E-(F)	M1190224		1-	A	
RL5522	RELAY				FTR-F3AA012E-(F)	M1190224		1-	A	
RL5523	RELAY		DC12V		G5Q-14 DC12V	M1190199		1-	A	

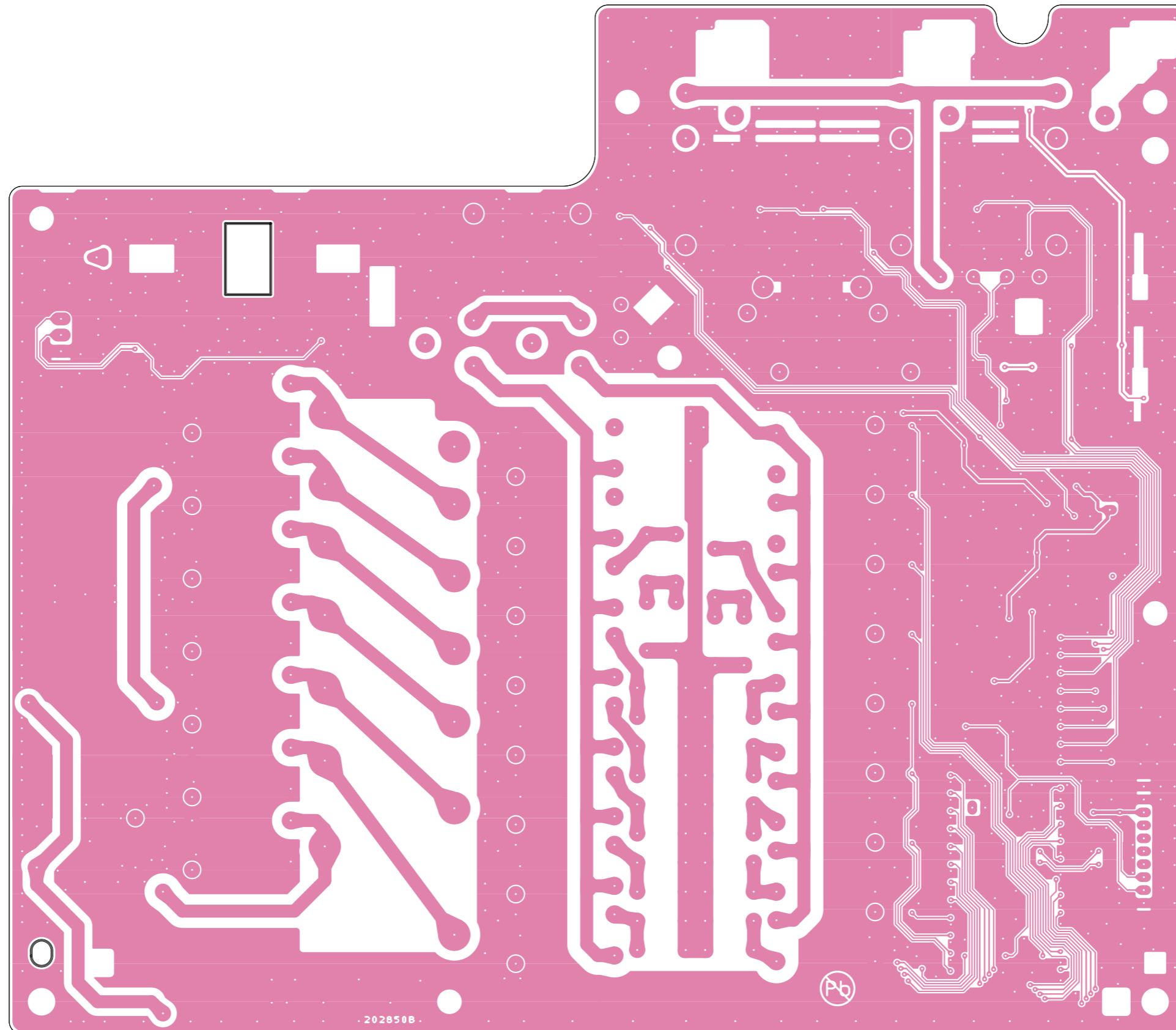
TUNER Unit (FTDX101D)

Parts List

REF	DESCRIPTION	VALUE	V/W	TOL.	MFR'S DESIG	YAESU P/N	VERS.	LOT	SIDE	LAY ADR
RL5524	RELAY				FTR-F3AA012E-(F)	M1190224		1-	A	
RL5525	RELAY				FTR-F3AA012E-(F)	M1190224		1-	A	
RL5526	RELAY				FTR-F3AA012E-(F)	M1190224		1-	A	
RL5527	RELAY		DC12V		G5Q-14 DC12V	M1190199		1-	A	
RL5528	RELAY				FTR-F3AA012E-(F)	M1190224		1-	A	
RL5529	RELAY				FTR-F3AA012E-(F)	M1190224		1-	A	
RL5530	RELAY				FTR-F3AA012E-(F)	M1190224		1-	A	
RL5531	RELAY				FTR-F3AA012E-(F)	M1190224		1-	A	
RL5532	RELAY				FTR-F3AA012E-(F)	M1190224		1-	A	
RL5533	RELAY				FTR-F3AA012E-(F)	M1190224		1-	A	
RL5534	RELAY				FTR-F3AA012E-(F)	M1190224		1-	A	
RL5535	RELAY				FTR-F3AA012E-(F)	M1190224		1-	A	
RL5536	RELAY				FTR-F3AA012E-(F)	M1190224		1-	A	
RL5537	RELAY		DC12V		FTR-B4SA012Z-B05	M1190209		1-	A	
T 5501	BALUN TRANSFORMERS				100812913A	L0023088		1-	A	
TC5501	TRIMMER CAP.	20pF			TZB4R200AA10R00	K91000217		1-	A	
TP5508	CHECK TERMINAL				RCTCTE	Q5000103		1-	A	







200W-TUNER Unit (FTDX101MP)

Parts List

REF	DESCRIPTION	VALUE	V/W	TOL.	MFR'S DESIG	YAESU P/N	VERS.	LOT	SIDE	LAY ADR
C 6501	CHIP CAP.	2pF	50V	CK	GRM1554C1H2R0CA01D	K22178204		1-	A	
C 6502	CHIP CAP.	0.01uF	50V	X7R	GRM155R71H103KA88D	K22178848		1-	A	
C 6503	CHIP CAP.	0.1uF	50V	X7R	GRM155R71H104KE14D	K22178872		1-	A	
C 6504	AL.ELECTRO.CAP.	10uF	50V		RE2-50V100ME3#	K40179041		1-	A	
C 6505	CHIP CAP.	0.01uF	50V	X7R	GRM155R71H103KA88D	K22178848		1-	A	
C 6506	CHIP CAP.	0.01uF	50V	X7R	GRM155R71H103KA88D	K22178848		1-	A	
C 6507	AL.ELECTRO.CAP.	47uF	25V		RE2-25V470ME3#	K40149035		1-	A	
C 6508	CHIP CAP.	0.1uF	50V	X7R	GRM155R71H104KE14D	K22178872		1-	A	
C 6509	CHIP CAP.	0.01uF	50V	X7R	GRM155R71H103KA88D	K22178848		1-	A	
C 6510	CHIP CAP.	47pF	50V	CH	UMK105CH470JV-F	K22178274		1-	A	
C 6511	CHIP CAP.	47pF	50V	CH	UMK105CH470JV-F	K22178274		1-	A	
C 6512	CHIP CAP.	0.01uF	50V	X7R	GRM155R71H103KA88D	K22178848		1-	A	
C 6513	CHIP CAP.	0.01uF	50V	X7R	GRM155R71H103KA88D	K22178848		1-	A	
C 6514	CHIP CAP.	47pF	50V	CH	UMK105CH470JV-F	K22178274		1-	A	
C 6515	CHIP CAP.	0.01uF	50V	X7R	GRM155R71H103KA88D	K22178848		1-	A	
C 6516	CHIP CAP.	0.1uF	50V	X7R	GRM155R71H104KE14D	K22178872		1-	A	
C 6517	CHIP CAP.	47pF	50V	CH	UMK105CH470JV-F	K22178274		1-	A	
C 6518	CHIP CAP.	0.1uF	50V	X7R	GRM155R71H104KE14D	K22178872		1-	A	
C 6519	CHIP CAP.	3pF	50V	CJ	GRM1553C1H3R0BA01D	K22178290		1	A	
C 6519	CHIP CAP.	2pF	50V	CK	GRM1554C1H2R0CA01D	K22178204		2-	A	
C 6520	CHIP CAP.	10pF	50V	CH	GRM1552C1H100BA01D	K22178297		1-	A	
C 6521	CHIP CAP.	3pF	50V	CJ	GRM1553C1H3R0BA01D	K22178290		1	A	
C 6521	CHIP CAP.	2pF	50V	CK	GRM1554C1H2R0CA01D	K22178204		2-	A	
C 6522	CHIP CAP.	10pF	50V	CH	GRM1552C1H100BA01D	K22178297		1-	A	
C 6523	CHIP CAP.	0.01uF	50V	X7R	GRM155R71H103KA88D	K22178848		1-	A	
C 6524	CHIP CAP.	0.01uF	50V	X7R	GRM155R71H103KA88D	K22178848		1-	A	
C 6525	CHIP CAP.	0.01uF	50V	X7R	GRM155R71H103KA88D	K22178848		1-	A	
C 6526	CHIP CAP.	0.01uF	50V	X7R	GRM155R71H103KA88D	K22178848		1-	A	
C 6527	CHIP CAP.	0.01uF	50V	X7R	GRM155R71H103KA88D	K22178848		1-	A	
C 6528	CHIP CAP.	0.01uF	50V	X7R	GRM155R71H103KA88D	K22178848		1-	A	
C 6529	CHIP CAP.	0.01uF	50V	X7R	GRM155R71H103KA88D	K22178848		1-	A	
C 6530	CHIP CAP.	0.01uF	50V	X7R	GRM155R71H103KA88D	K22178848		1-	A	
C 6531	CHIP CAP.	0.01uF	50V	X7R	GRM155R71H103KA88D	K22178848		1-	A	
C 6532	CERAMIC CAP.	150pF	3KV	SL	CC45SL3FD151JYNNA	K00359035		1-	A	
C 6533	CERAMIC CAP.	150pF	3KV	SL	CC45SL3FD151JYNNA	K00359035		1-	A	
C 6534	CERAMIC CAP.	150pF	3KV	SL	CC45SL3FD151JYNNA	K00359035		1-	A	
C 6535	CERAMIC CAP.	150pF	3KV	SL	CC45SL3FD151JYNNA	K00359035		1-	A	
C 6538	CHIP CAP.	0.01uF	50V	X7R	GRM155R71H103KA88D	K22178848		1-	A	
C 6539	CHIP CAP.	0.01uF	50V	X7R	GRM155R71H103KA88D	K22178848		1-	A	
C 6540	CHIP CAP.	0.01uF	50V	X7R	GRM155R71H103KA88D	K22178848		1-	A	
C 6541	CERAMIC CAP.	82pF	3KV	SL	CC45SL3FD820JYNNA	K00359034		1-	A	
C 6542	CERAMIC CAP.	82pF	3KV	SL	CC45SL3FD820JYNNA	K00359034		1-	A	
C 6543	CERAMIC CAP.	82pF	3KV	SL	CC45SL3FD820JYNNA	K00359034		1-	A	
C 6544	CERAMIC CAP.	82pF	3KV	SL	CC45SL3FD820JYNNA	K00359034		1-	A	
C 6545	CHIP CAP.	0.01uF	50V	X7R	GRM155R71H103KA88D	K22178848		1-	A	
C 6546	CHIP CAP.	0.01uF	50V	X7R	GRM155R71H103KA88D	K22178848		1-	A	
C 6547	CHIP CAP.	0.01uF	50V	X7R	GRM155R71H103KA88D	K22178848		1-	A	
C 6548	CERAMIC CAP.	39pF	3KV	SL	CC45SL3FD390JYNNA	K00359033		1-	A	
C 6549	CERAMIC CAP.	39pF	3KV	SL	CC45SL3FD390JYNNA	K00359033		1-	A	
C 6550	CERAMIC CAP.	39pF	3KV	SL	CC45SL3FD390JYNNA	K00359033		1-	A	
C 6551	CERAMIC CAP.	39pF	3KV	SL	CC45SL3FD390JYNNA	K00359033		1-	A	
C 6552	CHIP CAP.	0.01uF	50V	X7R	GRM155R71H103KA88D	K22178848		1-	A	
C 6554	CHIP CAP.	0.01uF	50V	X7R	GRM155R71H103KA88D	K22178848		1-	A	
C 6555	CHIP CAP.	0.01uF	50V	X7R	GRM155R71H103KA88D	K22178848		1-	A	
C 6556	CHIP CAP.	0.01uF	50V	X7R	GRM155R71H103KA88D	K22178848		1-	A	
C 6557	CERAMIC CAP.	18pF	3KV	SL	CC45SL3FD180JYNNA	K00359028		1-	A	
C 6558	CERAMIC CAP.	18pF	3KV	SL	CC45SL3FD180JYNNA	K00359028		1-	A	
C 6559	CERAMIC CAP.	22pF	3KV	SL	CC45SL3FD220JYNNA	K00359038		1-	A	
C 6560	CERAMIC CAP.	22pF	3KV	SL	CC45SL3FD220JYNNA	K00359038		1-	A	
C 6561	CHIP CAP.	0.01uF	50V	X7R	GRM155R71H103KA88D	K22178848		1-	A	
C 6562	CHIP CAP.	0.01uF	50V	X7R	GRM155R71H103KA88D	K22178848		1-	A	
C 6563	CHIP CAP.	0.01uF	50V	X7R	GRM155R71H103KA88D	K22178848		1-	A	
C 6564	CHIP CAP.	0.01uF	50V	X7R	GRM155R71H103KA88D	K22178848		1-	A	
C 6566	CERAMIC CAP.	10pF	3KV	SL	CC45SL3FD100JYNNA	K00359037		1-	A	
C 6567	CERAMIC CAP.	10pF	3KV	SL	CC45SL3FD100JYNNA	K00359037		1-	A	
C 6568	CERAMIC CAP.	10pF	3KV	SL	CC45SL3FD100JYNNA	K00359037		1-	A	
C 6569	CERAMIC CAP.	10pF	3KV	SL	CC45SL3FD100JYNNA	K00359037		1-	A	
C 6570	CHIP CAP.	0.01uF	50V	X7R	GRM155R71H103KA88D	K22178848		1-	A	
C 6571	CHIP CAP.	0.01uF	50V	X7R	GRM155R71H103KA88D	K22178848		1-	A	
C 6572	CHIP CAP.	0.01uF	50V	X7R	GRM155R71H103KA88D	K22178848		1-	A	
C 6573	CERAMIC CAP.	10pF	3KV	SL	CC45SL3FD100JYNNA	K00359037		1-	A	
C 6574	CERAMIC CAP.	10pF	3KV	SL	CC45SL3FD100JYNNA	K00359037		1-	A	
C 6575	CERAMIC CAP.	10pF	3KV	SL	CC45SL3FD100JYNNA	K00359037		1-	A	
C 6576	CERAMIC CAP.	10pF	3KV	SL	CC45SL3FD100JYNNA	K00359037		1-	A	
C 6577	CHIP CAP.	6pF	250V	CH	GQM2195C2E6R0CB12D	K22240259		1-	A	

200W-TUNER Unit (FTDX101MP)

Parts List

REF	DESCRIPTION	VALUE	V/W	TOL.	MFR'S DESIG	YAESU P/N	VERS.	LOT	SIDE	LAY ADR
C 6578	CHIP CAP.	56pF	50V	CH	GRM1552C1H560JA01D	K22178230		1-	A	
C 6579	CHIP CAP.	68pF	50V	CH	GRM1552C1H680JA01D	K22178232		1-	A	
C 6580	CERAMIC CAP.	10pF	3KV	SL	CC45SL3FD100JYNNA	K00359037		1-	A	
C 6581	CERAMIC CAP.	10pF	3KV	SL	CC45SL3FD100JYNNA	K00359037		1-	A	
C 6582	CERAMIC CAP.	10pF	3KV	SL	CC45SL3FD100JYNNA	K00359037		1-	A	
C 6583	CERAMIC CAP.	10pF	3KV	SL	CC45SL3FD100JYNNA	K00359037		1-	A	
C 6584	CHIP CAP.	0.01uF	50V	X7R	GRM155R71H103KA88D	K22178848		1-	A	
C 6585	CHIP CAP.	0.01uF	50V	X7R	GRM155R71H103KA88D	K22178848		1-	A	
C 6586	CHIP CAP.	0.01uF	50V	X7R	GRM155R71H103KA88D	K22178848		1-	A	
C 6588	CHIP CAP.	15pF	500V	CH	CF316CH150J500AT	K22271288		1-	A	
C 6589	CHIP CAP.	15pF	500V	CH	CF316CH150J500AT	K22271288		1-	A	
C 6590	CHIP CAP.	15pF	500V	CH	CF316CH150J500AT	K22271288		1-	A	
C 6591	CHIP CAP.	15pF	500V	CH	CF316CH150J500AT	K22271288		1-	A	
C 6592	CHIP CAP.	0.0022uF	50V	B	GRM155B11H222KA01D	K22178813		1-	A	
C 6593	CHIP CAP.	15pF	500V	CH	CF316CH150J500AT	K22271288		1-	A	
C 6594	CHIP CAP.	15pF	500V	CH	CF316CH150J500AT	K22271288		1-	A	
C 6595	CHIP CAP.	0.0022uF	50V	B	GRM155B11H222KA01D	K22178813		1-	A	
C 6596	CHIP CAP.	0.01uF	50V	X7R	GRM155R71H103KA88D	K22178848		1-	A	
C 6597	CHIP CAP.	0.01uF	50V	X7R	GRM155R71H103KA88D	K22178848		1-	A	
C 6598	CHIP CAP.	0.01uF	50V	X7R	GRM155R71H103KA88D	K22178848		1-	A	
C 6599	CHIP CAP.	7pF	500V	CH	CF316CH070D500AT	K22271252		1-	A	
C 6600	CHIP CAP.	7pF	500V	CH	CF316CH070D500AT	K22271252		1-	A	
C 6601	CHIP CAP.	7pF	500V	CH	CF316CH070D500AT	K22271252		1-	A	
C 6602	CHIP CAP.	7pF	500V	CH	CF316CH070D500AT	K22271252		1-	A	
C 6604	CHIP CAP.	56pF	50V	CH	GRM1552C1H560JA01D	K22178230		1-	A	
C 6605	CHIP CAP.	7pF	500V	CH	CF316CH070D500AT	K22271252		1-	A	
C 6606	CHIP CAP.	7pF	500V	CH	CF316CH070D500AT	K22271252		1-	A	
C 6607	CHIP CAP.	6pF	250V	CH	GQM2195C2E6R0CB12D	K22240259		1-	A	
C 6608	CHIP CAP.	56pF	50V	CH	GRM1552C1H560JA01D	K22178230		1-	A	
C 6609	CHIP CAP.	22pF	50V	CH	GRM1552C1H220JA01D	K22178220		1-	A	
C 6610	CHIP CAP.	22pF	50V	CH	GRM1552C1H220JA01D	K22178220		1-	A	
C 6611	CHIP CAP.	0.1uF	50V	X7R	GRM155R71H104KE14D	K22178872		1-	A	
C 6612	CHIP CAP.	0.001uF	500V	W5R	CF316W5R102K500AT	K22271802		1-	A	
C 6613	CHIP CAP.	0.001uF	500V	W5R	CF316W5R102K500AT	K22271802		1-	A	
C 6614	CHIP CAP.	0.01uF	250V	X7R	GRM21BR72E103KW03L	K22240801		1-	A	
C 6615	CHIP CAP.	0.01uF	250V	X7R	GRM21BR72E103KW03L	K22240801		1-	A	
C 6616	CHIP CAP.	0.1uF	250V	X7R	GRM32DR72E104KW01L	K22245801		1-	A	
C 6617	CHIP CAP.	0.1uF	250V	X7R	GRM32DR72E104KW01L	K22245801		1-	A	
C 6618	CHIP CAP.	0.1uF	250V	X7R	GRM32DR72E104KW01L	K22245801		1-	A	
C 6620	CHIP CAP.	0.001uF	500V	W5R	CF316W5R102K500AT	K22271802		1-	A	
C 6621	CHIP CAP.	0.01uF	250V	X7R	GRM21BR72E103KW03L	K22240801		1-	A	
C 6622	CHIP CAP.	0.1uF	250V	X7R	GRM32DR72E104KW01L	K22245801		1-	A	
C 6623	CHIP CAP.	0.001uF	500V	W5R	CF316W5R102K500AT	K22271802		1-	A	
C 6624	CHIP CAP.	0.01uF	50V	X7R	GRM155R71H103KA88D	K22178848		1-	A	
C 6625	CHIP CAP.	0.1uF	50V	X7R	GRM155R71H104KE14D	K22178872		1-	A	
C 6626	CHIP CAP.	0.01uF	50V	X7R	GRM155R71H103KA88D	K22178848		1-	A	
C 6627	CHIP CAP.	0.01uF	50V	X7R	GRM155R71H103KA88D	K22178848		1-	A	
C 6628	CHIP CAP.	0.01uF	50V	X7R	GRM155R71H103KA88D	K22178848		1-	A	
C 6629	CHIP CAP.	0.01uF	250V	X7R	GRM21BR72E103KW03L	K22240801		1-	A	
C 6630	CHIP CAP.	1pF	250V	C0G	GQM2195C2E1R0CB12D	K22240244		2-	A	
C 6631	CHIP CAP.	56pF	250V	C0G	GQM2195C2E560JB12D	K22240255		2-	A	
C 6632	CHIP CAP.	10pF	250V	C0G	GQM2195C2E100JB12D	K22240253		2-	A	
C 6633	CHIP CAP.	0.1uF	50V	X7R	GRM155R71H104KE14D	K22178872		2-	A	
C 6634	CHIP CAP.	0.0015uF	50V	CH	GRM1882C1H152JA01D	K22174277		2-	A	
C 6638	CHIP CAP.	0.01uF	50V	X7R	GRM155R71H103KA88D	K22178848		2-	A	
D 6501	SURGE ABSORBER				RHCA-501Q43U	Q9000922		1-	A	
D 6502	SURGE ABSORBER				RHCA-201Q43U	Q9000825		1-	A	
D 6503	DIODE				BAS316	G2070716		1-	A	
D 6504	DIODE				BAS316	G2070716		1-	A	
D 6505	DIODE				BAS316	G2070716		1-	A	
D 6506	DIODE				1SS372(TE85R.F)	G2070632		1-	A	
D 6507	DIODE				1SS372(TE85R.F)	G2070632		1-	A	
D 6508	DIODE				BAS316	G2070716		1-	A	
D 6509	DIODE				BAS316	G2070716		1-	A	
D 6510	SURGE ABSORBER				RHCA-301Q43U	Q9000827		1-	A	
D 6511	DIODE				BAS316	G2070716		1-	A	
D 6512	DIODE				BAS316	G2070716		1-	A	
D 6513	SURGE ABSORBER				RHCA-301Q43U	Q9000827		1-	A	
D 6514	DIODE				BAS316	G2070716		1-	A	
D 6515	DIODE				BAS316	G2070716		1-	A	
D 6516	SURGE ABSORBER				RHCA-301Q43U	Q9000827		1-	A	
D 6517	DIODE				BAS316	G2070716		1-	A	
D 6518	DIODE				BAS316	G2070716		1-	A	
D 6519	DIODE				BAS316	G2070716		1-	A	
D 6521	DIODE				BAS316	G2070716		1-	A	

200W-TUNER Unit (FTDX101MP)

Parts List

REF	DESCRIPTION	VALUE	V/W	TOL.	MFR'S DESIG	YAESU P/N	VERS.	LOT	SIDE	LAY ADR
D 6522	DIODE				BAS316	G2070716		1-	A	
D 6523	DIODE				BAS316	G2070716		1-	A	
D 6524	DIODE				BAS316	G2070716		1-	A	
D 6525	DIODE				BAS316	G2070716		1-	A	
D 6526	DIODE				BAS316	G2070716		1-	A	
D 6527	DIODE				BAS316	G2070716		1-	A	
D 6528	DIODE				BAS316	G2070716		1-	A	
D 6529	DIODE				BAS316	G2070716		1-	A	
D 6530	DIODE				BAS316	G2070716		1-	A	
D 6531	DIODE				BAS316	G2070716		1-	A	
D 6532	DIODE				BAS316	G2070716		1-	A	
D 6533	DIODE				BAS316	G2070716		1-	A	
D 6534	DIODE				BAS316	G2070716		1-	A	
D 6535	DIODE				BAS316	G2070716		1-	A	
D 6536	DIODE				BAS316	G2070716		1-	A	
D 6537	DIODE				BAS316	G2070716		1-	A	
D 6538	DIODE				BAS316	G2070716		1-	A	
D 6539	DIODE				BAS316	G2070716		1-	A	
D 6540	DIODE				BAS316	G2070716		1-	A	
D 6541	DIODE				DB2J31300L	G2071338		1-	A	
D 6542	DIODE				BAS316	G2070716		1-	A	
D 6543	DIODE				BAS316	G2070716		1-	A	
D 6544	DIODE				BAS316	G2070716		1-	A	
D 6545	DIODE				DB2J31300L	G2071338		1-	A	
D 6546	DIODE				U15J	G2090572		1-	A	
D 6547	DIODE				BAS316	G2070716		1-	A	
D 6548	DIODE				BAS316	G2070716		2-	A	
J 6501	CONNECTOR				U.FL-R-SMT(10)	P1091155		1-	A	
J 6502	CONNECTOR				SB20-10WS	P0090617		1-	A	
J 6503	CONNECTOR				U.FL-R-SMT(10)	P1091155		1-	A	
J 6507	CONNECTOR				SC25-03WS	P0090622		1-	A	
J 6508	CONNECTOR				TMPR-S SJ050010	P1091616		1-	A	
J 6509	CONNECTOR				U.FL-R-SMT(10)	P1091155		2-	A	
J 6510	CONNECTOR				U.FL-R-SMT(10)	P1091155		2-	A	
JP6501	WIRE ASSY				BLK 30 */*	T9318339		1-	A	
L 6501	COIL A1				ERLD119	L0023236		1-	A	
L 6502	COIL A1				ERLD118	L0023222		1-	A	
L 6503	COIL A1				ERLD119	L0023236		1-	A	
L 6504	COIL A1				ERLD119	L0023236		1-	A	
L 6505	COIL A1				ERLD119	L0023236		1-	A	
L 6506	COIL A1				ERLD120	L0023220		1-	A	
L 6507	COIL A1				ERLD121	L0023224		1-	A	
L 6508	M.RFC	1000uH			LLM3225-102J	L1691157		1-	A	
L 6509	TOROIDAL COIL	2.55uH		5%	2.55U-T94-2X2	L0023350		1-	A	
L 6510	TOROIDAL COIL	260uH			260U 3A R19.3-4.8-5	L0022767A		1-	A	
L 6511	M.RFC	1000uH			LLM3225-102J	L1691157		1-	A	
L 6512	TOROIDAL COIL	4.1uH		5%	4.10U-T94-2X2	L0023351		1-	A	
L 6513	TOROIDAL COIL	4.1uH		5%	4.10U-T94-2X2	L0023351		1-	A	
L 6514	M.RFC	0.15uH		2%	HA4031-ALC	L1691992		1-	A	
L 6515	TOROIDAL COIL	252uH			252.0U D12A TR16	L0022881B		1-	A	
L 6516	TOROIDAL COIL	252uH			252.0U D12A TR16	L0022881B		1-	A	
Q 6501	TRANSISTOR				2SC4081 T106	G3340818		1-	A	
Q 6502	IC				BU2152FS(TAPE)	G1093942		1-	A	
Q 6503	TRANSISTOR				2SC4081 T106	G3340818		1-	A	
Q 6504	TRANSISTOR				2SC4081 T106	G3340818		1-	A	
Q 6505	TRANSISTOR				2SC4081 T106	G3340818		1-	A	
Q 6506	TRANSISTOR				UMD5N TR	G3070343		1-	A	
Q 6507	TRANSISTOR				UMD5N TR	G3070343		1-	A	
Q 6508	TRANSISTOR				UMD5N TR	G3070343		1-	A	
Q 6509	TRANSISTOR				UMD5N TR	G3070343		1-	A	
Q 6510	TRANSISTOR				UMD5N TR	G3070343		1-	A	
Q 6511	IC				BU2152FS(TAPE)	G1093942		1-	A	
Q 6512	TRANSISTOR				UMD5N TR	G3070343		1-	A	
Q 6513	TRANSISTOR				UMD5N TR	G3070343		1-	A	
Q 6514	TRANSISTOR				UMD5N TR	G3070343		1-	A	
Q 6515	TRANSISTOR				UMD5N TR	G3070343		1-	A	
Q 6516	TRANSISTOR				UMD5N TR	G3070343		1-	A	
Q 6517	TRANSISTOR				UMD5N TR	G3070343		1-	A	
Q 6518	TRANSISTOR				UMD5N TR	G3070343		1-	A	
Q 6519	TRANSISTOR				UMD5N TR	G3070343		1-	A	
Q 6520	TRANSISTOR				UMD5N TR	G3070343		1-	A	
Q 6521	TRANSISTOR				UMD5N TR	G3070343		1-	A	
Q 6522	TRANSISTOR				UMD5N TR	G3070343		1-	A	
Q 6523	TRANSISTOR				UMD5N TR	G3070343		1-	A	
Q 6524	TRANSISTOR				UMD5N TR	G3070343		1-	A	

200W-TUNER Unit (FTDX101MP)

Parts List

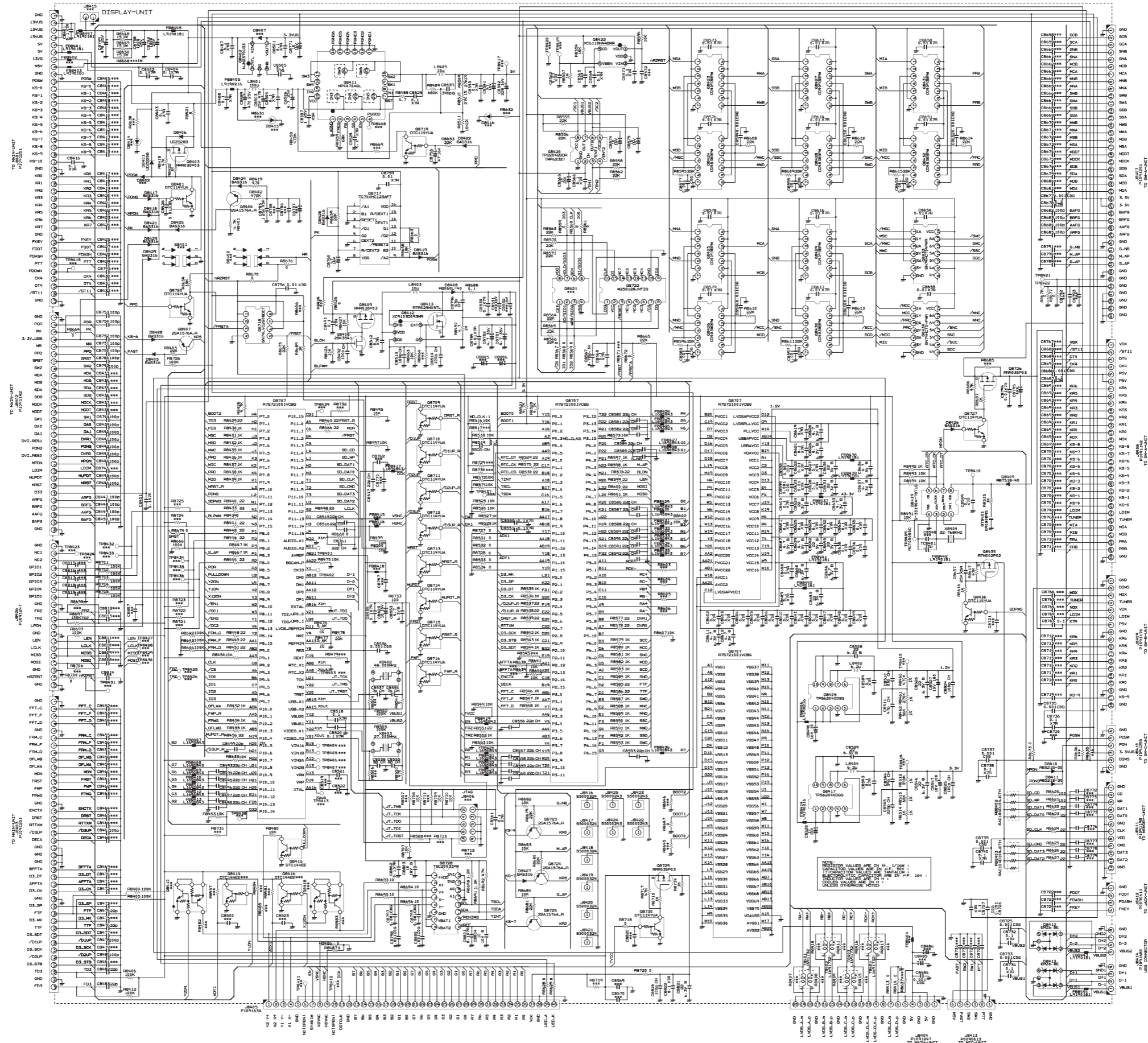
REF	DESCRIPTION	VALUE	V/W	TOL.	MFR'S DESIG	YAESU P/N	VERS.	LOT	SIDE	LAY ADR
Q 6525	TRANSISTOR				UMD5N TR	G3070343		1-	A	
Q 6526	TRANSISTOR				UMD5N TR	G3070343		1-	A	
Q 6527	TRANSISTOR				UMD5N TR	G3070343		1-	A	
Q 6528	TRANSISTOR				UMD5N TR	G3070343		1-	A	
Q 6529	TRANSISTOR				UMD5N TR	G3070343		1-	A	
Q 6530	TRANSISTOR				UMD5N TR	G3070343		1-	A	
Q 6531	TRANSISTOR				UMD5N TR	G3070343		1-	A	
Q 6532	TRANSISTOR				UMD5N TR	G3070343		1-	A	
Q 6533	TRANSISTOR				UMD5N TR	G3070343		1-	A	
Q 6534	TRANSISTOR				UMD5N TR	G3070343		1-	A	
Q 6535	TRANSISTOR				UMD5N TR	G3070343		1-	A	
Q 6536	TRANSISTOR				UMD5N TR	G3070343		1-	A	
Q 6537	TRANSISTOR				UMD5N TR	G3070343		1-	A	
Q 6538	TRANSISTOR				UMD5N TR	G3070343		1-	A	
Q 6539	TRANSISTOR				UMD5N TR	G3070343		1-	A	
Q 6540	TRANSISTOR				2SC3444-T111-1E	G3334448E		1-	A	
Q 6541	TRANSISTOR				2SA1213-Y(TE12L.ZC	G3112137Y		1-	A	
Q 6542	TRANSISTOR				2SC4081 T106 R	G3340818R		1-	A	
Q 6543	TRANSISTOR				2SC4081 T106 R	G3340818R		1-	A	
R 6501	CHIP RES.	100k	1/16W	5%	RMC1/16 104JATP	J24185104		1-	A	
R 6502	CHIP RES.	100k	1/16W	5%	RMC1/16 104JATP	J24185104		1-	A	
R 6503	CHIP RES.	100	1/16W	5%	RMC1/16 101JATP	J24185101		1-	A	
R 6504	CHIP RES.	470	1/16W	5%	RMC1/16 471JATP	J24185471		1-	A	
R 6505	CHIP RES.	22	1/16W	5%	RMC1/16 220JATP	J24185220		1-	A	
R 6506	CHIP RES.	470	1/16W	5%	RMC1/16 471JATP	J24185471		1-	A	
R 6507	CHIP RES.	470	1/16W	5%	RMC1/16 471JATP	J24185471		1-	A	
R 6508	CHIP RES.	470	1/16W	5%	RMC1/16 471JATP	J24185471		1-	A	
R 6509	CHIP RES.	100	1/16W	5%	RMC1/16 101JATP	J24185101		1-	A	
R 6510	CHIP RES.	47k	1/16W	5%	RMC1/16 473JATP	J24185473		1-	A	
R 6511	CHIP RES.	10k	1/16W	5%	RMC1/16 103JATP	J24185103		1-	A	
R 6512	CHIP RES.	22	1/16W	5%	RMC1/16 220JATP	J24185220		1-	A	
R 6513	CHIP RES.	100	1/16W	5%	RMC1/16 101JATP	J24185101		1-	A	
R 6514	CHIP RES.	100	1/16W	5%	RMC1/16 101JATP	J24185101		1-	A	
R 6515	CHIP RES.	10k	1/16W	5%	RMC1/16 103JATP	J24185103		1-	A	
R 6516	CHIP RES.	47k	1/16W	5%	RMC1/16 473JATP	J24185473		1-	A	
R 6517	CHIP RES.	100	1/16W	5%	RMC1/16 101JATP	J24185101		1-	A	
R 6518	CHIP RES.	100	1/16W	5%	RMC1/16 101JATP	J24185101		1-	A	
R 6519	CHIP RES.	100	1/16W	5%	RMC1/16 101JATP	J24185101		1-	A	
R 6520	CHIP RES.	100	1/16W	5%	RMC1/16 101JATP	J24185101		1-	A	
R 6521	CHIP RES.	100	1/16W	5%	RMC1/16 101JATP	J24185101		1-	A	
R 6522	CHIP RES.	100	1/16W	5%	RMC1/16 101JATP	J24185101		1-	A	
R 6523	CHIP RES.	100	1/16W	5%	RMC1/16 101JATP	J24185101		1-	A	
R 6524	CHIP RES.	100	1/16W	5%	RMC1/16 101JATP	J24185101		1-	A	
R 6525	CHIP RES.	100	1/16W	5%	RMC1/16 101JATP	J24185101		1-	A	
R 6527	CHIP RES.	100	1/16W	5%	RMC1/16 101JATP	J24185101		1-	A	
R 6528	CHIP RES.	100	1/16W	5%	RMC1/16 101JATP	J24185101		1-	A	
R 6529	CHIP RES.	100	1/16W	5%	RMC1/16 101JATP	J24185101		1-	A	
R 6530	CHIP RES.	100	1/16W	5%	RMC1/16 101JATP	J24185101		1-	A	
R 6531	CHIP RES.	100	1/16W	5%	RMC1/16 101JATP	J24185101		1-	A	
R 6532	CHIP RES.	100	1/16W	5%	RMC1/16 101JATP	J24185101		1-	A	
R 6533	CHIP RES.	100	1/16W	5%	RMC1/16 101JATP	J24185101		1-	A	
R 6534	CHIP RES.	100	1/16W	5%	RMC1/16 101JATP	J24185101		1-	A	
R 6535	CHIP RES.	100	1/16W	5%	RMC1/16 101JATP	J24185101		1-	A	
R 6536	CHIP RES.	100	1/16W	5%	RMC1/16 101JATP	J24185101		1-	A	
R 6537	CHIP RES.	100	1/16W	5%	RMC1/16 101JATP	J24185101		1-	A	
R 6538	CHIP RES.	100	1/16W	5%	RMC1/16 101JATP	J24185101		1-	A	
R 6539	CHIP RES.	100	1/16W	5%	RMC1/16 101JATP	J24185101		1-	A	
R 6540	CHIP RES.	100	1/16W	5%	RMC1/16 101JATP	J24185101		1-	A	
R 6541	CHIP RES.	100	1/16W	5%	RMC1/16 101JATP	J24185101		1-	A	
R 6542	CHIP RES.	100	1/16W	5%	RMC1/16 101JATP	J24185101		1-	A	
R 6543	CHIP RES.	100	1/16W	5%	RMC1/16 101JATP	J24185101		1-	A	
R 6544	CHIP RES.	100	1/16W	5%	RMC1/16 101JATP	J24185101		1-	A	
R 6545	CHIP RES.	100	1/16W	5%	RMC1/16 101JATP	J24185101		1-	A	
R 6546	CHIP RES.	100	1/16W	5%	RMC1/16 101JATP	J24185101		1-	A	
R 6547	CHIP RES.	6.8k	1/16W	1%	RMC1/16 682FTP	J24183682		1-	A	
R 6548	CHIP RES.	56	1W	5%	RMC1 560JTE	J24305560		1-	A	
R 6549	CHIP RES.	3.3k	1/16W	1%	RMC1/16 332FTP	J24183332		1-	A	
R 6550	CHIP RES.	56	1W	5%	RMC1 560JTE	J24305560		1-	A	
R 6551	CHIP RES.	3.3k	1/16W	1%	RMC1/16 332FTP	J24183332		1-	A	
R 6552	CHIP RES.	100	1/16W	5%	RMC1/16 101JATP	J24185101		1-	A	
R 6553	CHIP RES.	100	1/16W	5%	RMC1/16 101JATP	J24185101		1-	A	
R 6554	CHIP RES.	100	1/16W	5%	RMC1/16 101JATP	J24185101		1-	A	
R 6555	CHIP RES.	6.8k	1/16W	1%	RMC1/16 682FTP	J24183682		1-	A	
R 6556	CHIP RES.	120	2W	5%	TWMC63-1200JTE	J24339074		1-	A	
R 6557	CHIP RES.	100	1/16W	5%	RMC1/16 101JATP	J24185101		1-	A	

200W-TUNER Unit (FTDX101MP)

Parts List

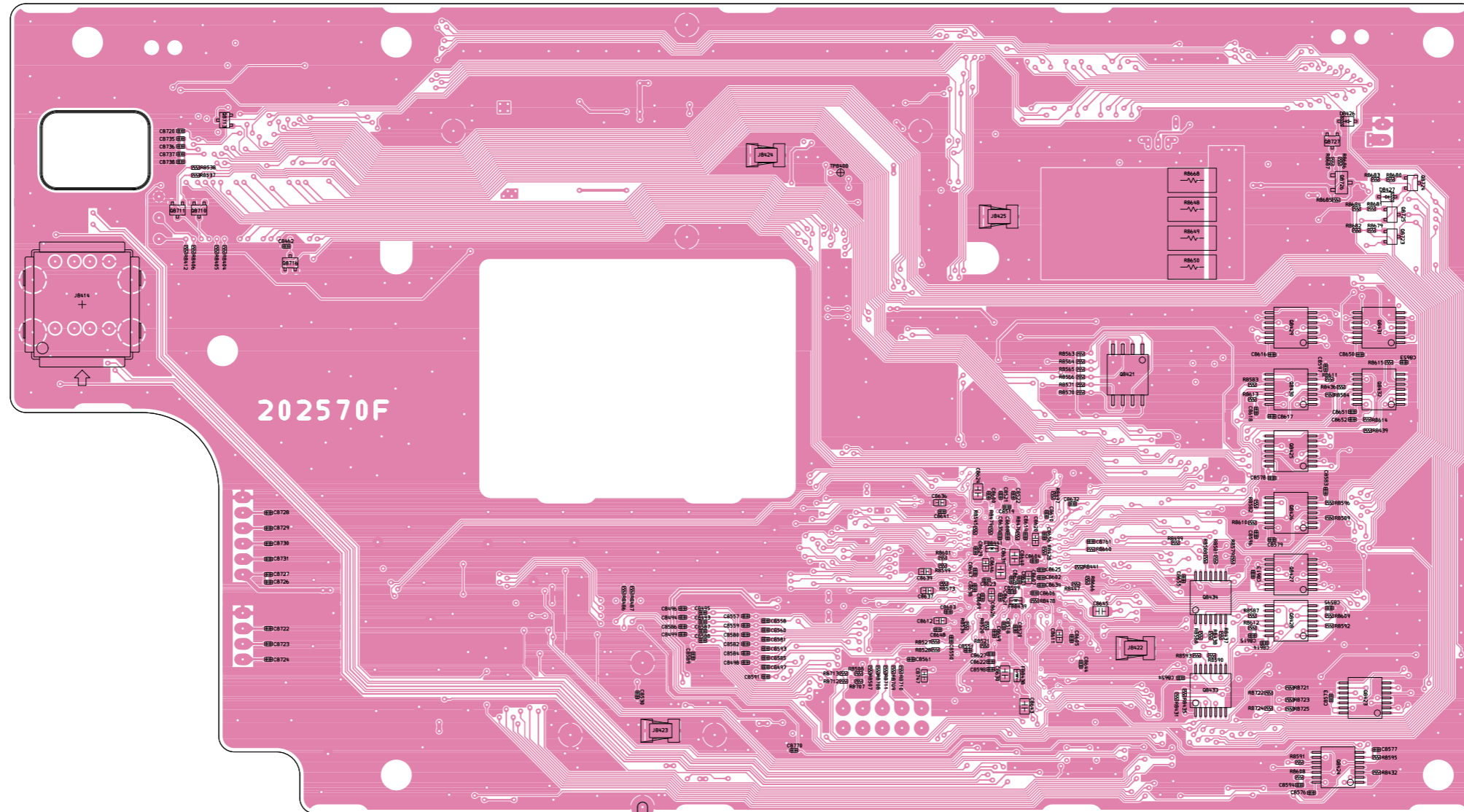
REF	DESCRIPTION	VALUE	V/W	TOL.	MFR'S DESIG	YAESU P/N	VERS.	LOT	SIDE	LAY ADR
R 6558	CHIP RES.	100k	1/16W	5%	RMC1/16 104JATP	J24185104		1-	A	
R 6559	CHIP RES.	3.3k	1/16W	5%	RMC1/16 332JATP	J24185332		1-	A	
R 6560	CHIP RES.	47k	1/16W	5%	RMC1/16 473JATP	J24185473		1-	A	
R 6561	CHIP RES.	10k	1/16W	5%	RMC1/16 103JATP	J24185103		1-	A	
R 6562	CHIP RES.	2.2k	1/16W	5%	RMC1/16 222JATP	J24185222		1-	A	
R 6563	CHIP RES.	10k	1/16W	5%	RMC1/16 103JATP	J24185103		1-	A	
R 6564	CHIP RES.	100k	1/16W	5%	RMC1/16 104JATP	J24185104		1-	A	
R 6565	CHIP RES.	10k	1/16W	5%	RMC1/16 103JATP	J24185103		1-	A	
R 6566	CHIP RES.	47k	1/16W	5%	RMC1/16 473JATP	J24185473		1-	A	
R 6567	CHIP RES.	47k	1/16W	5%	RMC1/16 473JATP	J24185473		1-	A	
R 6568	CHIP RES.	47k	1/16W	5%	RMC1/16 473JATP	J24185473		1-	A	
R 6569	CHIP RES.	120	2W	5%	TWMC63-1200JTE	J24339074		1-	A	
R 6570	CHIP RES.	120	2W	5%	TWMC63-1200JTE	J24339074		1-	A	
R 6571	CHIP RES.	0	1/10W	5%	RMC1/10T 000J	J24205000		2-	A	
R 6574	CHIP RES.	0	1/10W	5%	RMC1/10T 000J	J24205000		2-	A	
R 6576	CHIP RES.	0	1/16W	5%	RMC1/16 000JATP	J24185000		2-	A	
R 6578	CHIP RES.	100	1/16W	5%	RMC1/16 101JATP	J24185101		2-	A	
RL6501	RELAY		DC12V		AGQ200A12Z DC12V	M1190188		1-	A	
RL6502	REED RELAY				SIP-1A-12Y	M1190202		1-	A	
RL6503	RELAY		DC12V		AGQ200A12Z DC12V	M1190188		1-	A	
RL6504	RELAY		DC12V		AGQ200A12Z DC12V	M1190188		1-	A	
RL6505	RELAY		DC12V		FTR-H1CA012V DC12V	M1190148		1-	A	
RL6506	RELAY		DC12V		AGQ200A12Z DC12V	M1190188		1-	A	
RL6507	RELAY		DC12V		FTR-H1CA012V DC12V	M1190148		1-	A	
RL6508	RELAY		DC12V		AGQ200A12Z DC12V	M1190188		1-	A	
RL6509	RELAY		DC12V		FTR-H1CA012V DC12V	M1190148		1-	A	
RL6510	RELAY		DC12V		JV12S-KS DC12V	M1190205		1-	A	
RL6511	RELAY		DC12V		JV12S-KS DC12V	M1190205		1-	A	
RL6512	RELAY		DC12V		JV12S-KS DC12V	M1190205		1-	A	
RL6513	RELAY		DC12V		JV12S-KS DC12V	M1190205		1-	A	
RL6514	RELAY		DC12V		JV12S-KS DC12V	M1190205		1-	A	
RL6515	RELAY		DC12V		JV12S-KS DC12V	M1190205		1-	A	
RL6517	RELAY		DC12V		JV12S-KS DC12V	M1190205		1-	A	
RL6518	RELAY		DC12V		JV12S-KS DC12V	M1190205		1-	A	
RL6519	RELAY		DC12V		JV12S-KS DC12V	M1190205		1-	A	
RL6520	RELAY		DC12V		JV12S-KS DC12V	M1190205		1-	A	
RL6521	RELAY		DC12V		JV12S-KS DC12V	M1190205		1-	A	
RL6522	RELAY		DC12V		JV12S-KS DC12V	M1190205		1-	A	
RL6523	RELAY		DC12V		FTR-H1CA012V DC12V	M1190148		1-	A	
RL6524	RELAY		DC12V		JV12S-KS DC12V	M1190205		1-	A	
RL6525	RELAY		DC12V		JV12S-KS DC12V	M1190205		1-	A	
RL6526	RELAY		DC12V		JV12S-KS DC12V	M1190205		1-	A	
RL6527	RELAY		DC12V		FTR-H1CA012V DC12V	M1190148		1-	A	
RL6528	RELAY		DC12V		JV12S-KS DC12V	M1190205		1-	A	
RL6529	RELAY		DC12V		JV12S-KS DC12V	M1190205		1-	A	
RL6530	RELAY		DC12V		JV12S-KS DC12V	M1190205		1-	A	
RL6531	RELAY		DC12V		JV12S-KS DC12V	M1190205		1-	A	
RL6532	RELAY		DC12V		JV12S-KS DC12V	M1190205		1-	A	
RL6533	RELAY		DC12V		JV12S-KS DC12V	M1190205		1-	A	
RL6534	RELAY		DC12V		JV12S-KS DC12V	M1190205		1-	A	
RL6535	RELAY		DC12V		JV12S-KS DC12V	M1190205		1-	A	
RL6536	RELAY		DC12V		JV12S-KS DC12V	M1190205		1-	A	
RL6537	REED RELAY				SIP-1A-12Y	M1190202		1-	A	
RL6538	RELAY		DC12V		FTR-B4SA012Z-B05	M1190209		2-	A	
T 6501	BALUN TRANSFORMERS				100812913A	L0023088		1-	A	
TC6501	TRIMMER CAP.	20pF			TZB4R200AA10R00	K91000217		1-	A	
TP6508	CHECK TERMINAL				RCTCTE	Q5000103		2-	A	

DISPLAY Unit Circuit Diagram



DISPLAY-1

DISPLAY Unit
Parts Layout (side B)



DISPLAY Unit

Parts List

REF	DESCRIPTION	VALUE	V/W	TOL.	MFR'S DESIG	YAESU P/N	VERS.	LOT	SIDE	LAY ADR
BT8401	LITHIUM BATT.				ML614R-TT31	Q9000895		1-	A	
C 8401	CHIP CAP.	0.1uF	50V	X7R	GRM155R71H104KE14D	K22178872		1-	A	
C 8402	CHIP CAP.	0.1uF	50V	X7R	GRM155R71H104KE14D	K22178872		1-	A	
C 8403	CHIP CAP.	0.1uF	50V	X7R	GRM155R71H104KE14D	K22178872		1-	A	
C 8404	CHIP CAP.	0.1uF	50V	X7R	GRM155R71H104KE14D	K22178872		1-	A	
C 8416	CHIP CAP.	0.1uF	50V	X7R	GRM155R71H104KE14D	K22178872		1-	A	
C 8426	CHIP CAP.	0.01uF	50V	X7R	GRM155R71H103KA88D	K22178848		1-	A	
C 8439	CHIP CAP.	100pF	50V	CH	GRM1552C1H101JA01D	K22178236		1-	A	
C 8440	CHIP CAP.	100pF	50V	CH	GRM1552C1H101JA01D	K22178236		1-	A	
C 8441	CHIP CAP.	100pF	50V	CH	GRM1552C1H101JA01D	K22178236		1-	A	
C 8442	CHIP CAP.	100pF	50V	CH	GRM1552C1H101JA01D	K22178236		1-	A	
C 8443	CHIP CAP.	100pF	50V	CH	GRM1552C1H101JA01D	K22178236		1-	A	
C 8444	CHIP CAP.	100pF	50V	CH	GRM1552C1H101JA01D	K22178236		1-	A	
C 8445	CHIP CAP.	100pF	50V	CH	GRM1552C1H101JA01D	K22178236		1-	A	
C 8446	CHIP CAP.	100pF	50V	CH	GRM1552C1H101JA01D	K22178236		1-	A	
C 8447	CHIP CAP.	100pF	50V	CH	GRM1552C1H101JA01D	K22178236		1-	A	
C 8448	CHIP CAP.	100pF	50V	CH	GRM1552C1H101JA01D	K22178236		1-	A	
C 8449	CHIP CAP.	100pF	50V	CH	GRM1552C1H101JA01D	K22178236		1-	A	
C 8450	CHIP CAP.	100pF	50V	CH	GRM1552C1H101JA01D	K22178236		1-	A	
C 8451	CHIP CAP.	0.1uF	50V	X7R	GRM155R71H104KE14D	K22178872		1-	A	
C 8467	CHIP CAP.	100pF	50V	CH	GRM1552C1H101JA01D	K22178236		1-	A	
C 8474	CHIP CAP.	22pF	50V	CH	GRM1552C1H220JA01D	K22178220		1-	A	
C 8476	CHIP CAP.	22pF	50V	CH	GRM1552C1H220JA01D	K22178220		1-	A	
C 8478	CHIP CAP.	100pF	50V	CH	GRM1552C1H101JA01D	K22178236		1-	A	
C 8480	CHIP CAP.	100pF	50V	CH	GRM1552C1H101JA01D	K22178236		1-	A	
C 8482	CHIP CAP.	22pF	50V	CH	GRM1552C1H220JA01D	K22178220		1-	A	
C 8483	CHIP CAP.	22pF	50V	CH	GRM1552C1H220JA01D	K22178220		1-	A	
C 8484	CHIP CAP.	0.001uF	50V	C0G	GRM1555C1H102JA01D	K22179756		1-	A	
C 8487	CHIP CAP.	0.1uF	50V	X7R	GRM155R71H104KE14D	K22178872		1-	A	
C 8488	CHIP CAP.	0.1uF	50V	X7R	GRM155R71H104KE14D	K22178872		1-	A	
C 8489	AL.ELECTRO.CAP.	470uF	25V		EMVE250ADA471MJA0G	K48140026		1-	A	
C 8490	CHIP TA.CAP.	10uF	16V		TMCMA1C106MTRF	K78120077		1-	A	
C 8491	CHIP CAP.	0.1uF	50V	X7R	GRM155R71H104KE14D	K22178872		1-	A	
C 8492	CHIP CAP.	100pF	50V	CH	GRM1552C1H101JA01D	K22178236		1-	A	
C 8493	CHIP CAP.	22pF	50V	CH	GRM1552C1H220JA01D	K22178220		1-	B	
C 8494	CHIP CAP.	22pF	50V	CH	GRM1552C1H220JA01D	K22178220		1-	B	
C 8495	CHIP CAP.	22pF	50V	CH	GRM1552C1H220JA01D	K22178220		1-	B	
C 8496	CHIP CAP.	22pF	50V	CH	GRM1552C1H220JA01D	K22178220		1-	B	
C 8497	CHIP CAP.	22pF	50V	CH	GRM1552C1H220JA01D	K22178220		1-	B	
C 8498	CHIP CAP.	22pF	50V	CH	GRM1552C1H220JA01D	K22178220		1-	B	
C 8499	CHIP CAP.	22pF	50V	CH	GRM1552C1H220JA01D	K22178220		1-	B	
C 8501	CHIP CAP.	0.1uF	50V	X7R	GRM155R71H104KE14D	K22178872		1-	A	
C 8503	AL.ELECTRO.CAP.	470uF	25V		EMVE250ADA471MJA0G	K48140026		1-	A	
C 8504	CHIP CAP.	0.1uF	50V	X7R	GRM155R71H104KE14D	K22178872		1-	A	
C 8505	CHIP CAP.	0.1uF	50V	X7R	GRM155R71H104KE14D	K22178872		1-	A	
C 8506	AL.ELECTRO.CAP.	4.7uF	25V		UWX1E4R7MCL1GB	K48140012		1-	A	
C 8507	CHIP CAP.	1uF	25V	X5R	GRM155R61E105KE11D	K22149010		1-	A	
C 8508	CHIP CAP.	22uF	6.3V	B	GRM21BB30J226ME38L	K22080806		1-	A	
C 8509	CHIP CAP.	0.1uF	50V	X7R	GRM155R71H104KE14D	K22178872		1-	A	
C 8510	CHIP CAP.	33pF	50V	CH	GRM1552C1H330JA01D	K22178224		1-	A	
C 8511	CHIP CAP.	47pF	50V	CH	GRM1552C1H470JA01D	K22178228		1-	A	
C 8512	CHIP CAP.	0.1uF	50V	X7R	GRM155R71H104KE14D	K22178872		1-	A	
C 8513	CHIP CAP.	100pF	50V	CH	GRM1552C1H101JA01D	K22178236		1-	A	
C 8514	CHIP CAP.	100pF	50V	CH	GRM1552C1H101JA01D	K22178236		1-	A	
C 8515	CHIP CAP.	22pF	50V	CH	GRM1552C1H220JA01D	K22178220		1-	A	
C 8516	CHIP CAP.	22pF	50V	CH	GRM1552C1H220JA01D	K22178220		1-	A	
C 8517	CHIP CAP.	22pF	50V	CH	GRM1552C1H220JA01D	K22178220		1-	A	
C 8518	CHIP CAP.	0.1uF	50V	X7R	GRM155R71H104KE14D	K22178872		1-	B	
C 8520	CHIP CAP.	0.1uF	50V	X7R	GRM155R71H104KE14D	K22178872		1-	B	
C 8524	CHIP CAP.	0.1uF	50V	X7R	GRM155R71H104KE14D	K22178872		1-	A	
C 8525	CHIP CAP.	0.1uF	50V	X7R	GRM155R71H104KE14D	K22178872		1-	A	
C 8526	CHIP CAP.	22uF	6.3V	B	GRM21BB30J226ME38L	K22080806		1-	A	
C 8527	AL.ELECTRO.CAP.	100uF	10V		10CE100GA	K48100016		1-	A	
C 8528	CHIP TA.CAP.	10uF	16V		TMCMA1C106MTRF	K78120077		1-	A	
C 8529	CHIP CAP.	22uF	6.3V	B	GRM21BB30J226ME38L	K22080806		1-	A	
C 8530	CHIP CAP.	0.1uF	50V	X7R	GRM155R71H104KE14D	K22178872		1-	B	
C 8535	CHIP CAP.	0.1uF	50V	X7R	GRM155R71H104KE14D	K22178872		1-	A	
C 8536	CHIP CAP.	0.001uF	50V	C0G	GRM1555C1H102JA01D	K22179756		1-	A	
C 8537	CHIP CAP.	7pF	50V	CH	GRM1552C1H7R0DA01D	K22178209		1-	A	
C 8538	CHIP CAP.	8pF	50V	CH	GRM1552C1H8R0DA01D	K22178210		1-	A	
C 8539	CHIP CAP.	390pF	50V	B	GRM155B11H391KA01D	K22178804		1-	A	
C 8540	CHIP CAP.	0.1uF	50V	X7R	GRM155R71H104KE14D	K22178872		1-	A	
C 8541	CHIP TA.CAP.	47uF	16V		TAJC476M016RNJ	K78120125		1-	A	
C 8542	AL.ELECTRO.CAP.	220uF	16V		RV-16V221MG10-R	K48120015		1-	A	
C 8543	CHIP CAP.	0.1uF	50V	X7R	GRM155R71H104KE14D	K22178872		1-	A	

DISPLAY Unit

Parts List

REF	DESCRIPTION	VALUE	V/W	TOL.	MFR'S DESIG	YAESU P/N	VERS.	LOT	SIDE	LAY ADR
C 8544	CHIP CAP.	39pF	50V	CH	GRM1552C1H390JA01D	K22178226		1-	A	
C 8545	CHIP CAP.	220pF	50V	CH	GRM1552C1H221JA01D	K22179713		1-	A	
C 8546	CHIP CAP.	22uF	6.3V	B	GRM21BB30J226ME38L	K22080806		1-	A	
C 8547	AL.ELECTRO.CAP.	100uF	10V		10CE100GA	K48100016		1-	A	
C 8549	CHIP CAP.	0.1uF	50V	X7R	GRM155R71H104KE14D	K22178872		1-	A	
C 8550	CHIP CAP.	0.1uF	50V	X7R	GRM155R71H104KE14D	K22178872		1-	B	
C 8551	CHIP CAP.	0.1uF	50V	X7R	GRM155R71H104KE14D	K22178872		1-	B	
C 8553	CHIP CAP.	4.7uF	6.3V	B	JMK107BJ475MA-T	K22084803		1-	A	
C 8554	CHIP CAP.	7pF	50V	CH	GRM1552C1H7R0DA01D	K22178209		1-	A	
C 8555	CHIP CAP.	8pF	50V	CH	GRM1552C1H8R0DA01D	K22178210		1-	A	
C 8556	CHIP CAP.	22pF	50V	CH	GRM1552C1H220JA01D	K22178220		1-	A	
C 8557	CHIP CAP.	22pF	50V	CH	GRM1552C1H220JA01D	K22178220		1-	B	
C 8558	CHIP CAP.	22pF	50V	CH	GRM1552C1H220JA01D	K22178220		1-	B	
C 8559	CHIP CAP.	22pF	50V	CH	GRM1552C1H220JA01D	K22178220		1-	B	
C 8560	CHIP CAP.	22pF	50V	CH	GRM1552C1H220JA01D	K22178220		1-	B	
C 8561	CHIP CAP.	0.1uF	50V	X7R	GRM155R71H104KE14D	K22178872		1-	B	
C 8562	CHIP CAP.	0.01uF	50V	X7R	GRM155R71H103KA88D	K22178848		1-	A	
C 8564	CHIP CAP.	0.01uF	50V	X7R	GRM155R71H103KA88D	K22178848		1-	A	
C 8565	CHIP TA.CAP.	10uF	16V		TMCMA1C106MTRF	K78120077		1-	A	
C 8566	CHIP CAP.	0.1uF	50V	X7R	GRM155R71H104KE14D	K22178872		1-	A	
C 8567	CHIP CAP.	4.7uF	6.3V	B	JMK107BJ475MA-T	K22084803		1-	A	
C 8568	CHIP CAP.	0.1uF	50V	X7R	GRM155R71H104KE14D	K22178872		1-	A	
C 8571	CHIP CAP.	0.1uF	50V	X7R	GRM155R71H104KE14D	K22178872		1-	A	
C 8573	CHIP CAP.	0.01uF	50V	X7R	GRM155R71H103KA88D	K22178848		1-	B	
C 8574	CHIP TA.CAP.	10uF	16V		TMCMA1C106MTRF	K78120077		1-	A	
C 8575	CHIP TA.CAP.	10uF	16V		TMCMA1C106MTRF	K78120077		1-	A	
C 8576	CHIP CAP.	0.01uF	50V	X7R	GRM155R71H103KA88D	K22178848		1-	B	
C 8577	CHIP CAP.	0.001uF	50V	C0G	GRM1555C1H102JA01D	K22179756		1-	B	
C 8578	CHIP CAP.	0.01uF	50V	X7R	GRM155R71H103KA88D	K22178848		1-	B	
C 8579	CHIP CAP.	0.01uF	50V	X7R	GRM155R71H103KA88D	K22178848		1-	B	
C 8580	CHIP CAP.	22pF	50V	CH	GRM1552C1H220JA01D	K22178220		1-	B	
C 8581	CHIP CAP.	22pF	50V	CH	GRM1552C1H220JA01D	K22178220		1-	B	
C 8582	CHIP CAP.	22pF	50V	CH	GRM1552C1H220JA01D	K22178220		1-	B	
C 8583	CHIP CAP.	0.001uF	50V	C0G	GRM1555C1H102JA01D	K22179756		1-	B	
C 8584	CHIP CAP.	22pF	50V	CH	GRM1552C1H220JA01D	K22178220		1-	B	
C 8585	CHIP CAP.	22pF	50V	CH	GRM1552C1H220JA01D	K22178220		1-	B	
C 8586	CHIP CAP.	22pF	50V	CH	GRM1552C1H220JA01D	K22178220		1-	B	
C 8587	CHIP CAP.	22pF	50V	CH	GRM1552C1H220JA01D	K22178220		1-	B	
C 8588	CHIP CAP.	22pF	50V	CH	GRM1552C1H220JA01D	K22178220		1-	B	
C 8589	CHIP CAP.	22pF	50V	CH	GRM1552C1H220JA01D	K22178220		1-	B	
C 8590	CHIP CAP.	22pF	50V	CH	GRM1552C1H220JA01D	K22178220		1-	A	
C 8591	CHIP CAP.	22pF	50V	CH	GRM1552C1H220JA01D	K22178220		1-	B	
C 8592	CHIP CAP.	22pF	50V	CH	GRM1552C1H220JA01D	K22178220		1-	A	
C 8593	CHIP CAP.	22pF	50V	CH	GRM1552C1H220JA01D	K22178220		1-	B	
C 8594	CHIP CAP.	0.001uF	50V	C0G	GRM1555C1H102JA01D	K22179756		1-	B	
C 8595	CHIP CAP.	0.001uF	50V	C0G	GRM1555C1H102JA01D	K22179756		1-	B	
C 8596	CHIP CAP.	0.001uF	50V	C0G	GRM1555C1H102JA01D	K22179756		1-	B	
C 8597	CHIP CAP.	0.001uF	50V	C0G	GRM1555C1H102JA01D	K22179756		1-	B	
C 8598	CHIP CAP.	0.001uF	50V	C0G	GRM1555C1H102JA01D	K22179756		1-	B	
C 8599	CHIP CAP.	0.001uF	50V	C0G	GRM1555C1H102JA01D	K22179756		1-	B	
C 8600	CHIP CAP.	0.1uF	50V	X7R	GRM155R71H104KE14D	K22178872		1-	B	
C 8601	CHIP CAP.	0.1uF	50V	X7R	GRM155R71H104KE14D	K22178872		1-	B	
C 8602	CHIP CAP.	0.1uF	50V	X7R	GRM155R71H104KE14D	K22178872		1-	B	
C 8603	CHIP CAP.	0.1uF	50V	X7R	GRM155R71H104KE14D	K22178872		1-	B	
C 8604	CHIP CAP.	0.1uF	50V	X7R	GRM155R71H104KE14D	K22178872		1-	B	
C 8605	CHIP CAP.	0.1uF	50V	X7R	GRM155R71H104KE14D	K22178872		1-	B	
C 8606	CHIP CAP.	0.1uF	50V	X7R	GRM155R71H104KE14D	K22178872		1-	B	
C 8607	CHIP CAP.	4.7uF	6.3V	B	JMK107BJ475MA-T	K22084803		1-	B	
C 8608	CHIP CAP.	0.1uF	50V	X7R	GRM155R71H104KE14D	K22178872		1-	B	
C 8609	CHIP CAP.	0.1uF	50V	X7R	GRM155R71H104KE14D	K22178872		1-	B	
C 8610	CHIP CAP.	0.1uF	50V	X7R	GRM155R71H104KE14D	K22178872		1-	B	
C 8611	CHIP CAP.	4.7uF	6.3V	B	JMK107BJ475MA-T	K22084803		1-	B	
C 8612	CHIP CAP.	4.7uF	6.3V	B	JMK107BJ475MA-T	K22084803		1-	B	
C 8613	CHIP CAP.	0.01uF	50V	X7R	GRM155R71H103KA88D	K22178848		1-	B	
C 8614	CHIP CAP.	0.01uF	50V	X7R	GRM155R71H103KA88D	K22178848		1-	B	
C 8615	CHIP CAP.	0.001uF	50V	C0G	GRM1555C1H102JA01D	K22179756		1-	B	
C 8616	CHIP CAP.	0.01uF	50V	X7R	GRM155R71H103KA88D	K22178848		1-	B	
C 8617	CHIP CAP.	0.01uF	50V	X7R	GRM155R71H103KA88D	K22178848		1-	B	
C 8618	CHIP CAP.	0.001uF	50V	C0G	GRM1555C1H102JA01D	K22179756		1-	B	
C 8619	CHIP CAP.	0.1uF	50V	X7R	GRM155R71H104KE14D	K22178872		1-	B	
C 8620	CHIP CAP.	4.7uF	6.3V	B	JMK107BJ475MA-T	K22084803		1-	B	
C 8621	CHIP CAP.	0.1uF	50V	X7R	GRM155R71H104KE14D	K22178872		1-	B	
C 8622	CHIP CAP.	0.01uF	50V	X7R	GRM155R71H103KA88D	K22178848		1-	B	
C 8623	CHIP CAP.	0.01uF	50V	X7R	GRM155R71H103KA88D	K22178848		1-	B	
C 8624	CHIP CAP.	22uF	6.3V	B	GRM21BB30J226ME38L	K22080806		1-	B	

DISPLAY Unit

Parts List

REF	DESCRIPTION	VALUE	V/W	TOL.	MFR'S DESIG	YAESU P/N	VERS.	LOT	SIDE	LAY ADR
C 8625	CHIP CAP.	0.1uF	50V	X7R	GRM155R71H104KE14D	K22178872		1-	B	
C 8626	CHIP CAP.	4.7uF	6.3V	B	JMK107BJ475MA-T	K22084803		1-	B	
C 8627	CHIP CAP.	0.1uF	50V	X7R	GRM155R71H104KE14D	K22178872		1-	B	
C 8628	CHIP CAP.	0.1uF	50V	X7R	GRM155R71H104KE14D	K22178872		1-	B	
C 8629	CHIP CAP.	0.1uF	50V	X7R	GRM155R71H104KE14D	K22178872		1-	B	
C 8630	CHIP CAP.	22uF	6.3V	B	GRM21BB30J226ME38L	K22080806		1-	B	
C 8631	CHIP CAP.	22uF	6.3V	B	GRM21BB30J226ME38L	K22080806		1-	B	
C 8632	CHIP CAP.	0.1uF	50V	X7R	GRM155R71H104KE14D	K22178872		1-	B	
C 8633	CHIP CAP.	4.7uF	6.3V	B	JMK107BJ475MA-T	K22084803		1-	A	
C 8634	CHIP CAP.	0.1uF	50V	X7R	GRM155R71H104KE14D	K22178872		1-	B	
C 8635	CHIP CAP.	0.1uF	50V	X7R	GRM155R71H104KE14D	K22178872		1-	B	
C 8636	CHIP CAP.	4.7uF	6.3V	B	JMK107BJ475MA-T	K22084803		1-	B	
C 8637	CHIP CAP.	4.7uF	6.3V	B	JMK107BJ475MA-T	K22084803		1-	B	
C 8638	CHIP CAP.	0.1uF	50V	X7R	GRM155R71H104KE14D	K22178872		1-	B	
C 8639	CHIP CAP.	4.7uF	6.3V	B	JMK107BJ475MA-T	K22084803		1-	B	
C 8640	CHIP CAP.	22uF	6.3V	B	GRM21BB30J226ME38L	K22080806		1-	B	
C 8641	CHIP CAP.	0.1uF	50V	X7R	GRM155R71H104KE14D	K22178872		1-	B	
C 8642	CHIP CAP.	22uF	6.3V	B	GRM21BB30J226ME38L	K22080806		1-	A	
C 8643	CHIP CAP.	22uF	6.3V	B	GRM21BB30J226ME38L	K22080806		1-	B	
C 8644	CHIP CAP.	0.1uF	50V	X7R	GRM155R71H104KE14D	K22178872		1-	B	
C 8645	CHIP CAP.	22uF	6.3V	B	GRM21BB30J226ME38L	K22080806		1-	B	
C 8646	CHIP CAP.	4.7uF	6.3V	B	JMK107BJ475MA-T	K22084803		1-	B	
C 8647	CHIP CAP.	0.1uF	50V	X7R	GRM155R71H104KE14D	K22178872		1-	B	
C 8648	CHIP CAP.	0.1uF	50V	X7R	GRM155R71H104KE14D	K22178872		1-	B	
C 8649	CHIP CAP.	0.1uF	50V	X7R	GRM155R71H104KE14D	K22178872		1-	B	
C 8650	CHIP CAP.	0.01uF	50V	X7R	GRM155R71H103KA88D	K22178848		1-	B	
C 8651	CHIP CAP.	0.01uF	50V	X7R	GRM155R71H103KA88D	K22178848		1-	B	
C 8652	CHIP CAP.	0.001uF	50V	C0G	GRM1555C1H102JA01D	K22179756		1-	B	
C 8653	CHIP CAP.	0.001uF	50V	C0G	GRM1555C1H102JA01D	K22179756		1-	B	
C 8654	CHIP CAP.	0.01uF	50V	X7R	GRM155R71H103KA88D	K22178848		1-	B	
C 8655	CHIP CAP.	0.01uF	50V	X7R	GRM155R71H103KA88D	K22178848		1-	B	
C 8656	CHIP CAP.	0.1uF	50V	X7R	GRM155R71H104KE14D	K22178872		1-	B	
C 8657	CHIP CAP.	1uF	25V	X5R	GRM155R61E105KE11D	K22149010		1-	A	
C 8677	CHIP CAP.	0.001uF	50V	C0G	GRM1555C1H102JA01D	K22179756		1-	A	
C 8678	CHIP CAP.	0.1uF	50V	X7R	GRM155R71H104KE14D	K22178872		1-	A	
C 8682	CHIP CAP.	100pF	50V	CH	GRM1552C1H101JA01D	K22178236		1-	A	
C 8683	CHIP CAP.	100pF	50V	CH	GRM1552C1H101JA01D	K22178236		1-	A	
C 8684	CHIP CAP.	100pF	50V	CH	GRM1552C1H101JA01D	K22178236		1-	A	
C 8685	CHIP CAP.	100pF	50V	CH	GRM1552C1H101JA01D	K22178236		1-	A	
C 8686	CHIP CAP.	0.001uF	50V	C0G	GRM1555C1H102JA01D	K22179756		1-	A	
C 8687	CHIP CAP.	0.1uF	50V	X7R	GRM155R71H104KE14D	K22178872		1-	A	
C 8725	CHIP CAP.	0.001uF	50V	C0G	GRM1555C1H102JA01D	K22179756		1-	A	
C 8726	CHIP CAP.	0.001uF	50V	C0G	GRM1555C1H102JA01D	K22179756		1-	B	
C 8727	CHIP CAP.	0.1uF	50V	X7R	GRM155R71H104KE14D	K22178872		1-	B	
C 8732	CHIP CAP.	0.1uF	50V	X7R	GRM155R71H104KE14D	K22178872		1-	A	
C 8733	CHIP CAP.	0.001uF	50V	C0G	GRM1555C1H102JA01D	K22179756		1-	A	
C 8734	CHIP CAP.	0.1uF	50V	X7R	GRM155R71H104KE14D	K22178872		1-	A	
C 8735	CHIP CAP.	0.001uF	50V	C0G	GRM1555C1H102JA01D	K22179756		1-	B	
C 8736	CHIP CAP.	0.1uF	50V	X7R	GRM155R71H104KE14D	K22178872		1-	B	
C 8737	CHIP CAP.	0.001uF	50V	C0G	GRM1555C1H102JA01D	K22179756		1-	B	
C 8738	CHIP CAP.	0.1uF	50V	X7R	GRM155R71H104KE14D	K22178872		1-	B	
C 8739	CHIP CAP.	0.001uF	50V	C0G	GRM1555C1H102JA01D	K22179756		1-	A	
C 8740	CHIP CAP.	0.1uF	50V	X7R	GRM155R71H104KE14D	K22178872		1-	A	
C 8742	CHIP CAP.	100pF	50V	CH	GRM1552C1H101JA01D	K22178236		1-	A	
C 8744	CHIP CAP.	100pF	50V	CH	GRM1552C1H101JA01D	K22178236		1-	A	
C 8748	AL.ELECTRO.CAP.	1000uF	25V		25CE1000BS	K48140025		1-	A	
C 8749	AL.ELECTRO.CAP.	470uF	25V		EMVE250ADA471MJA0G	K48140026		1-	A	
C 8750	CHIP CAP.	100pF	50V	CH	GRM1552C1H101JA01D	K22178236		1-	A	
C 8751	CHIP CAP.	100pF	50V	CH	GRM1552C1H101JA01D	K22178236		1-	A	
C 8752	CHIP CAP.	100pF	50V	CH	GRM1552C1H101JA01D	K22178236		1-	A	
C 8753	CHIP CAP.	100pF	50V	CH	GRM1552C1H101JA01D	K22178236		1-	A	
C 8754	CHIP CAP.	100pF	50V	CH	GRM1552C1H101JA01D	K22178236		1-	A	
C 8755	CHIP TA.CAP.	47uF	16V		TAJCA476M016RNJ	K78120125		1-	A	
C 8756	CHIP CAP.	0.01uF	50V	X7R	GRM155R71H103KA88D	K22178848		1-	A	
C 8758	AL.ELECTRO.CAP.	1000uF	25V		25CE1000BS	K48140025		1-	A	
C 8759	CHIP CAP.	0.01uF	50V	X7R	GRM155R71H103KA88D	K22178848		1-	A	
C 8760	CHIP TA.CAP.	47uF	16V		TAJCA476M016RNJ	K78120125		1-	A	
C 8761	CHIP CAP.	22pF	50V	CH	GRM1552C1H220JA01D	K22178220		1-	B	
C 8763	CHIP CAP.	0.1uF	50V	X7R	GRM155R71H104KE14D	K22178872		1-	A	
C 8771	CHIP TA.CAP.	10uF	16V		TMCMA1C106MTRF	K78120077		1-	A	
C 8780	CHIP CAP.	100pF	50V	CH	GRM1552C1H101JA01D	K22178236		1-	A	
C 8781	CHIP TA.CAP.	4.7uF	35V		TMCMC1V475MTRF	K78160036		1-	A	
C 8782	CHIP TA.CAP.	4.7uF	35V		TMCMC1V475MTRF	K78160036		1-	A	
C 8784	CHIP CAP.	0.01uF	50V	X7R	GRM155R71H103KA88D	K22178848		1-	A	
C 8785	CHIP CAP.	1uF	25V	X5R	GRM155R61E105KE11D	K22149010		1-	A	

DISPLAY Unit

Parts List

REF	DESCRIPTION	VALUE	V/W	TOL.	MFR'S DESIG	YAESU P/N	VERS.	LOT	SIDE	LAY ADR
C 8794	CHIP CAP.	0.01uF	50V	X7R	GRM155R71H103KA88D	K22178848		1-	A	
C 8796	CHIP CAP.	47pF	50V	CH	GRM1552C1H470JA01D	K22178228		1-	A	
C 8797	CHIP CAP.	0.001uF	50V	C0G	GRM1555C1H102JA01D	K22179756		1-	A	
C 8798	CHIP CAP.	0.001uF	50V	C0G	GRM1555C1H102JA01D	K22179756		1-	A	
C 8799	CHIP CAP.	0.001uF	50V	C0G	GRM1555C1H102JA01D	K22179756		1-	A	
C 8800	CHIP CAP.	0.001uF	50V	C0G	GRM1555C1H102JA01D	K22179756		1-	A	
C 8801	CHIP CAP.	0.1uF	50V	X7R	GRM155R71H104KE14D	K22178872		1-	A	
C 8802	CHIP CAP.	0.1uF	50V	X7R	GRM155R71H104KE14D	K22178872		1-	A	
C 8803	CHIP CAP.	10uF	10V	B	GRM188B31A106ME69D	K22104810		1-	A	
C 8804	CHIP CAP.	10uF	10V	B	GRM188B31A106ME69D	K22104810		1-	A	
C 8821	CHIP CAP.	22uF	6.3V	B	GRM21BB30J226ME38L	K22080806		1-	A	
C 8822	CHIP CAP.	0.1uF	50V	X7R	GRM155R71H104KE14D	K22178872		1-	A	
C 8823	CHIP TA.CAP.	10uF	16V		TMCMA1C106MTRF	K78120077		1-	A	
C 8824	CHIP CAP.	100pF	50V	CH	GRM1552C1H101JA01D	K22178236		1-	A	
C 8825	CHIP CAP.	100pF	50V	CH	GRM1552C1H101JA01D	K22178236		1-	A	
C 8826	CHIP CAP.	100pF	50V	CH	GRM1552C1H101JA01D	K22178236		1-	A	
D 8401	DIODE				UDZS TE-17 20B	G2071016		1-	A	
D 8405	DIODE				BAS316	G2070716		1-	A	
D 8406	DIODE				UDZS TE-17 20B	G2071016		1-	A	
D 8408	DIODE				RB060L-40 TE25	G2070744		1-	A	
D 8409	DIODE				RB751G-40T2R	G2071066		1-	A	
D 8410	DIODE				RB521S-30 TE61	G2070642		1-	A	
D 8411	DIODE				RB521S-30 TE61	G2070642		1-	A	
D 8412	DIODE				EMZ6.8ET2R	G2071522		1-	A	
D 8413	DIODE				EMZ6.8ET2R	G2071522		1-	A	
D 8417	DIODE				BAS316	G2070716		1-	A	
D 8418	DIODE				BAS316	G2070716		1-	A	
D 8419	DIODE				BAS316	G2070716		1-	A	
D 8420	DIODE				BAS316	G2070716		1-	A	
D 8421	DIODE				BAS316	G2070716		1-	A	
D 8422	DIODE				BAS316	G2070716		1-	A	
D 8423	DIODE				BAS316	G2070716		1-	A	
D 8424	DIODE				BAS316	G2070716		1-	A	
D 8425	DIODE				BAS316	G2070716		1-	A	
D 8426	DIODE				BAS316	G2070716		1-	B	
D 8427	DIODE				BAS316	G2070716		1-	B	
D 8428	DIODE				BAS316	G2070716		1-	A	
D 8429	DIODE				BAS316	G2070716		1-	A	
FB8401	FERRITE BEADS				BLM18PG221SN1D	L9190181		1-	A	
FB8403	FERRITE BEADS				BLM18PG221SN1D	L9190181		1-	A	
FB8405	FERRITE BEADS				BLM18KG260TN1D	L9190216		1-	A	
FB8406	FERRITE BEADS				BLM18KG260TN1D	L9190216		1-	A	
FB8407	FERRITE BEADS				BLM15AG121SN1D	L1690843		1-	A	
FB8408	FERRITE BEADS				BLM15AG121SN1D	L1690843		1-	A	
FB8409	FERRITE BEADS				BLM15AG121SN1D	L1690843		1-	A	
FB8410	FERRITE BEADS				BLM15AG121SN1D	L1690843		1-	A	
FB8411	FERRITE BEADS				BLM15AG121SN1D	L1690843		1-	A	
FB8412	FERRITE BEADS				BLM15AG121SN1D	L1690843		1-	A	
FB8413	FERRITE BEADS				BLM15AG121SN1D	L1690843		1-	A	
FB8414	FERRITE BEADS				BLM18KG260TN1D	L9190216		1-	A	
FB8417	FERRITE BEADS				BLM15AG121SN1D	L1690843		1-	A	
FB8419	FERRITE BEADS				BLM15AG121SN1D	L1690843		1-	A	
FB8420	FERRITE BEADS				BLM15AG121SN1D	L1690843		1-	A	
FB8421	FERRITE BEADS				BLM15AG121SN1D	L1690843		1-	A	
FB8422	FERRITE BEADS				BLM15AG121SN1D	L1690843		1-	A	
FB8423	FERRITE BEADS				BLM15AG121SN1D	L1690843		1-	A	
FB8424	FERRITE BEADS				BLM15AG121SN1D	L1690843		1-	A	
FB8425	FERRITE BEADS				BLM15AG121SN1D	L1690843		1-	A	
FB8426	FERRITE BEADS				BLM15AG121SN1D	L1690843		1-	A	
FB8427	FERRITE BEADS				BLM15AG121SN1D	L1690843		1-	A	
FB8428	FERRITE BEADS				BLM15AG121SN1D	L1690843		1-	A	
FB8429	FERRITE BEADS				BLM15AG121SN1D	L1690843		1-	A	
FB8430	FERRITE BEADS				BLM15AG121SN1D	L1690843		1-	A	
FB8431	FERRITE BEADS				BLM15AG121SN1D	L1690843		1-	A	
FB8432	FERRITE BEADS				BLM15AG121SN1D	L1690843		1-	A	
FB8433	FERRITE BEADS				BLM15AG121SN1D	L1690843		1-	A	
FB8434	FERRITE BEADS				BLM15AG121SN1D	L1690843		1-	A	
FB8435	FERRITE BEADS				BLM15AG121SN1D	L1690843		1-	A	
FB8436	FERRITE BEADS				BLM15AG121SN1D	L1690843		1-	A	
FB8437	FERRITE BEADS				BLM18PG221SN1D	L9190181		1-	A	
FB8438	FERRITE BEADS				BLM18PG221SN1D	L9190181		1-	B	
FB8439	FERRITE BEADS				BLM18PG221SN1D	L9190181		1-	B	
FB8440	FERRITE BEADS				BLM18PG221SN1D	L9190181		1-	A	
FB8441	FERRITE BEADS				BLM18PG221SN1D	L9190181		1-	B	
FB8442	FERRITE BEADS				BLM18PG221SN1D	L9190181		1-	A	

DISPLAY Unit

Parts List

REF	DESCRIPTION	VALUE	V/W	TOL.	MFR'S DESIG	YAESU P/N	VERS.	LOT	SIDE	LAY ADR
FB8443	FERRITE BEADS				BLM18PG221SN1D	L9190181		1-	A	
FB8444	FERRITE BEADS				BLM18PG221SN1D	L9190181		1-	A	
FB8445	FERRITE BEADS				BLM18PG221SN1D	L9190181		1-	A	
FB8447	FERRITE BEADS				BLM18PG221SN1D	L9190181		1-	A	
J 8401	CONNECTOR				40FLT-SM2-TB(LF)(SN)(M)	P1091251		1-	A	
J 8402	CONNECTOR				30FLT-SM2-TB(LF)(SN)(M)	P1091142		1-	A	
J 8403	CONNECTOR				40FLT-SM2-TB(LF)(SN)(M)	P1091251		1-	A	
J 8404	CONNECTOR				20FLT-SM2-TB(LF)(SN)	P1091247		1-	A	
J 8405	CONNECTOR				9637S-40Y801	P1091634		1-	A	
J 8407	CONNECTOR				40FLT-SM2-TB(LF)(SN)(M)	P1091251		1-	A	
J 8408	CONNECTOR				30FLT-SM2-TB(LF)(SN)(M)	P1091142		1-	A	
J 8409	CONNECTOR				18FLT-SM2-TB(LF)(SN)(M)	P1091176		1-	A	
J 8410	CONNECTOR				06FLT-SM2-TB(LF)(SN)	P1091255		1-	A	
J 8411	CONNECTOR				12FLT-SM2-TB(LF)(SN)	P1091198		1-	A	
J 8412	CONNECTOR				SB20-04WS	P0090611		1-	A	
J 8413	CONNECTOR				SB20-06WS	P0090613		1-	A	
J 8414	CONNECTOR				SUA-210PB-B2N	P1091680		1-	B	
J 8416	CONTACT				OG-363050	S5000324		1-	A	
J 8417	CONTACT				OG-363050	S5000324		1-	A	
J 8418	CONTACT				OG-363050	S5000324		1-	A	
J 8419	CONTACT				OG-363050	S5000324		1-	A	
J 8420	CONTACT				OG-363050	S5000324		1-	A	
J 8421	CONTACT				OG-363050	S5000324		1-	A	
J 8422	CONTACT				OG-503040	S5000243		1-	B	
J 8423	CONTACT				OG-503040	S5000243		1-	B	
J 8424	CONTACT				OG-503040	S5000243		1-	B	
J 8425	CONTACT				OG-503040	S5000243		1-	B	
J 8426	CONNECTOR				20FLT-SM2-TB(LF)(SN)	P1091247		1-	A	
L 8401	M.RFC	100uH			CDRH127LD-101MC	L1691332		1-	A	
L 8402	CHIP COIL	6.2uH			CDRH5D28NP-6R2NC	L1691444		1-	A	
L 8403	M.RFC	10uH			CDRH74-100MC	L1690599		1-	A	
L 8404	CHIP COIL	6.2uH			CDRH5D28NP-6R2NC	L1691444		1-	A	
L 8405	M.RFC	10uH			CDRH74-100MC	L1690599		1-	A	
Q 8401	TRANSISTOR				DTC114YUA T106	G3070298		1-	A	
Q 8402	IC				NJM2370U33-TE1	G1094564		1-	A	
Q 8403	FET				RRR030P03	G3070448		1-	A	
Q 8404	TRANSISTOR				2SA1576A T106 R	G3115768R		1-	A	
Q 8405	IC				TPS62040DGQ	G1094328		1-	A	
Q 8407	TRANSISTOR				2SA1576A T106 R	G3115768R		1-	A	
Q 8408	FET				2SK3541 T2L	G3835417		1-	A	
Q 8409	FET				RRR030P03	G3070448		1-	A	
Q 8411	IC				MP4470AGL	G1095590		1-	A	
Q 8412	IC				XC9103D093MR-G	G1094967		1-	A	
Q 8413	FET				RTR025N05TL	G3070436		1-	A	
Q 8415	TRANSISTOR				DTC144EE TL	G3070075		1-	A	
Q 8417	IC				TPS62040DGQ	G1094328		1-	A	
Q 8419	IC				S-35190A-T8T1G	G1094356		1-	A	
Q 8420	IC				TPS2042BDR	G1095612		1-	A	
Q 8422	IC				XC6118N44BMR-G	G1094972		1-	A	
Q 8423	IC				CD4093BPWR	G1094093		1-	B	
Q 8424	IC				CD4030BPWR	G1094092		1-	B	
Q 8425	IC				CD4093BPWR	G1094093		1-	B	
Q 8426	IC				CD4030BPWR	G1094092		1-	B	
Q 8427	IC				CD4093BPWR	G1094093		1-	B	
Q 8428	IC				CD4030BPWR	G1094092		1-	B	
Q 8429	IC				CD4093BPWR	G1094093		1-	B	
Q 8430	IC				CD4030BPWR	G1094092		1-	B	
Q 8431	IC				CD4093BPWR	G1094093		1-	B	
Q 8432	IC				CD4030BPWR	G1094092		1-	B	
Q 8433	IC				SN74HCT04PWR	G1094484		1-	B	
Q 8434	IC				SN74HCT04PWR	G1094484		1-	B	
Q 8435	FET				RTM002P02(TAPE)	G3070347		1-	A	
Q 8436	TRANSISTOR				DTC114YUA T106	G3070298		1-	A	
Q 8707	IC				R7S721001VCBG	G1095582		1-	A	
Q 8709	TRANSISTOR				DTC114YUA T106	G3070298		1-	A	
Q 8710	TRANSISTOR				DTC114YUA T106	G3070298		1-	B	
Q 8711	TRANSISTOR				DTC114YUA T106	G3070298		1-	B	
Q 8712	TRANSISTOR				DTC114YUA T106	G3070298		1-	A	
Q 8713	TRANSISTOR				DTC114YUA T106	G3070298		1-	B	
Q 8714	TRANSISTOR				DTC114YUA T106	G3070298		1-	A	
Q 8715	TRANSISTOR				DTC114YUA T106	G3070298		1-	A	
Q 8716	TRANSISTOR				DTC114YUA T106	G3070298		1-	B	
Q 8717	IC				TC74VHC123AFT(TAPE)	G1094003		1-	A	
Q 8718	IC				SN74LVC2G08DCTR	G1094341		1-	A	
Q 8719	TRANSISTOR				DTC114YUA T106	G3070298		1-	A	

DISPLAY Unit

Parts List

REF	DESCRIPTION	VALUE	V/W	TOL.	MFR'S DESIG	YAESU P/N	VERS.	LOT	SIDE	LAY ADR
Q 8720	TRANSISTOR				DTC114YUA T106	G3070298		1-	A	
Q 8722	IC				W25Q128JVFIQ-YR2218	G1095652		1-	A	
Q 8723	TRANSISTOR				2SA1576A T106 R	G3115768R		1-	B	
Q 8724	TRANSISTOR				2SA1576A T106 R	G3115768R		1-	B	
Q 8725	TRANSISTOR				2SA1576A T106 R	G3115768R		1-	B	
Q 8726	FET				RRR030P03	G3070448		1-	B	
Q 8727	TRANSISTOR				DTC114YUA T106	G3070298		1-	B	
Q 8728	IC				TSC2003IPWR	G1095676		1-	A	
Q 8729	FET				RRR030P03	G3070448		1-	A	
Q 8730	TRANSISTOR				DTC114YUA T106	G3070298		1-	A	
R 8401	CHIP RES.	4.7k	1/16W	5%	RMC1/16S 472JTH	J24189033		1-	A	
R 8402	CHIP RES.	470k	1/16W	5%	RMC1/16S 474JTH	J24189057		1-	A	
R 8403	CHIP RES.	22k	1/16W	5%	RMC1/16S 223JTH	J24189041		1-	A	
R 8404	CHIP RES.	100k	1/16W	5%	RMC1/16S 104JTH	J24189049		1-	B	
R 8405	CHIP RES.	100k	1/16W	5%	RMC1/16S 104JTH	J24189049		1-	B	
R 8406	CHIP RES.	100k	1/16W	5%	RMC1/16S 104JTH	J24189049		1-	B	
R 8412	CHIP RES.	100k	1/16W	5%	RMC1/16S 104JTH	J24189049		1-	B	
R 8413	CHIP RES.	0	1/16W	5%	RMC1/16S JPTH	J24189070		1-	A	
R 8414	CHIP RES.	0	1/16W	5%	RMC1/16S JPTH	J24189070		1-	A	
R 8418	CHIP RES.	47k	1/16W	5%	RMC1/16S 473JTH	J24189045		1-	A	
R 8419	CHIP RES.	470	1/16W	5%	RMC1/16S 471JTH	J24189021		1-	A	
R 8421	CHIP RES.	0	1/16W	5%	RMC1/16S JPTH	J24189070		1-	A	
R 8422	CHIP RES.	1k	1/16W	5%	RMC1/16S 102JTH	J24189025		1-	A	
R 8425	CHIP RES.	0	1/16W	5%	RMC1/16S JPTH	J24189070		1-	A	
R 8426	CHIP RES.	10k	1/16W	5%	RMC1/16S 103JTH	J24189037		1-	A	
R 8427	CHIP RES.	10k	1/16W	5%	RMC1/16S 103JTH	J24189037		1-	A	
R 8428	CHIP RES.	4.7k	1/16W	5%	RMC1/16S 472JTH	J24189033		1-	B	
R 8429	CHIP RES.	22	1/16W	5%	RMC1/16S 220JTH	J24189005		1-	A	
R 8430	CHIP RES.	1k	1/16W	5%	RMC1/16S 102JTH	J24189025		1-	A	
R 8431	CHIP RES.	1k	1/16W	5%	RMC1/16S 102JTH	J24189025		1-	B	
R 8432	CHIP RES.	1k	1/16W	5%	RMC1/16S 102JTH	J24189025		1-	B	
R 8433	CHIP RES.	22	1/16W	5%	RMC1/16S 220JTH	J24189005		1-	A	
R 8434	CHIP RES.	0	1/16W	5%	RMC1/16S JPTH	J24189070		1-	A	
R 8435	CHIP RES.	1k	1/16W	5%	RMC1/16S 102JTH	J24189025		1-	B	
R 8436	CHIP RES.	1k	1/16W	5%	RMC1/16S 102JTH	J24189025		1-	B	
R 8437	CHIP RES.	1k	1/16W	5%	RMC1/16S 102JTH	J24189025		1-	B	
R 8438	CHIP RES.	1k	1/16W	5%	RMC1/16S 102JTH	J24189025		1-	B	
R 8439	CHIP RES.	1k	1/16W	5%	RMC1/16S 102JTH	J24189025		1-	B	
R 8440	CHIP RES.	22	1/16W	5%	RMC1/16S 220JTH	J24189005		1-	A	
R 8441	CHIP RES.	22	1/16W	5%	RMC1/16S 220JTH	J24189005		1-	B	
R 8442	CHIP RES.	22	1/16W	5%	RMC1/16S 220JTH	J24189005		1-	A	
R 8444	CHIP RES.	22	1/16W	5%	RMC1/16S 220JTH	J24189005		1-	A	
R 8446	CHIP RES.	22	1/16W	5%	RMC1/16S 220JTH	J24189005		1-	A	
R 8447	CHIP RES.	1k	1/16W	5%	RMC1/16S 102JTH	J24189025		1-	B	
R 8448	CHIP RES.	22	1/16W	5%	RMC1/16S 220JTH	J24189005		1-	A	
R 8449	CHIP RES.	22	1/16W	5%	RMC1/16S 220JTH	J24189005		1-	A	
R 8450	CHIP RES.	10k	1/16W	5%	RMC1/16S 103JTH	J24189037		1-	A	
R 8451	CHIP RES.	22	1/16W	5%	RMC1/16S 220JTH	J24189005		1-	A	
R 8452	CHIP RES.	1k	1/16W	5%	RMC1/16S 102JTH	J24189025		1-	A	
R 8453	CHIP RES.	10k	1/16W	5%	RMC1/16S 103JTH	J24189037		1-	A	
R 8454	CHIP RES.	1k	1/16W	5%	RMC1/16S 102JTH	J24189025		1-	A	
R 8455	CHIP RES.	1k	1/16W	5%	RMC1/16S 102JTH	J24189025		1-	A	
R 8456	CHIP RES.	22	1/16W	5%	RMC1/16S 220JTH	J24189005		1-	A	
R 8458	CHIP RES.	470k	1/16W	5%	RMC1/16S 474JTH	J24189057		1-	A	
R 8459	CHIP RES.	68k	1/16W	5%	RMC1/16S 683JTH	J24189047		1-	A	
R 8460	CHIP RES.	470k	1/16W	1%	RMC1/16SK474FTH	J24189537		1-	A	
R 8461	CHIP RES.	270k	1/16W	1%	RMC1/16SK274FTH	J24189534		1-	A	
R 8462	CHIP RES.	56k	1/16W	1%	RMC1/16SK563FTH	J24189526		1-	A	
R 8463	CHIP RES.	10k	1/16W	5%	RMC1/16S 103JTH	J24189037		1-	A	
R 8465	CHIP RES.	22	1/16W	5%	RMC1/16S 220JTH	J24189005		1-	A	
R 8466	CHIP RES.	22	1/16W	5%	RMC1/16S 220JTH	J24189005		1-	A	
R 8475	CHIP RES.	10k	1/16W	5%	RMC1/16S 103JTH	J24189037		1-	A	
R 8476	CHIP RES.	5.6k	1/16W	1%	RMC1/16SK562FTH	J24189520		1-	B	
R 8477	CHIP RES.	5.6k	1/16W	1%	RMC1/16SK562FTH	J24189520		1-	A	
R 8478	CHIP RES.	22k	1/16W	5%	RMC1/16S 223JTH	J24189041		1-	B	
R 8480	CHIP RES.	10k	1/16W	5%	RMC1/16S 103JTH	J24189037		1-	A	
R 8486	CHIP RES.	0	1/16W	5%	RMC1/16S JPTH	J24189070		1-	B	
R 8487	CHIP RES.	0	1/16W	5%	RMC1/16S JPTH	J24189070		1-	B	
R 8488	CHIP RES.	4.7	1/16W	5%	RMC1/16S 4R7JTH	J24189066		1-	A	
R 8489	CHIP RES.	680k	1/16W	5%	RMC1/16S 684JTH	J24189059		1-	A	
R 8490	CHIP RES.	4.7	1W	5%	RMC1 4R7JTE	J24305479		1-	A	
R 8491	CHIP RES.	10k	1/16W	5%	RMC1/16S 103JTH	J24189037		1-	A	
R 8492	CHIP RES.	1k	1/16W	5%	RMC1/16S 102JTH	J24189025		1-	A	
R 8493	CHIP RES.	10k	1/16W	5%	RMC1/16S 103JTH	J24189037		1-	A	
R 8494	CHIP RES.	10k	1/16W	5%	RMC1/16S 103JTH	J24189037		1-	A	

DISPLAY Unit

Parts List

REF	DESCRIPTION	VALUE	V/W	TOL.	MFR'S DESIG	YAESU P/N	VERS.	LOT	SIDE	LAY ADR
R 8495	CHIP RES.	10k	1/16W	5%	RMC1/16S 103JTH	J24189037		1-	A	
R 8497	CHIP RES.	10k	1/16W	5%	RMC1/16S 103JTH	J24189037		1-	B	
R 8498	CHIP RES.	22	1/16W	5%	RMC1/16S 220JTH	J24189005		1-	A	
R 8499	CHIP RES.	10k	1/16W	5%	RMC1/16S 103JTH	J24189037		1-	B	
R 8500	CHIP RES.	10k	1/16W	5%	RMC1/16S 103JTH	J24189037		1-	A	
R 8502	CHIP RES.	100k	1/16W	5%	RMC1/16S 104JTH	J24189049		1-	A	
R 8505	CHIP RES.	100k	1/16W	5%	RMC1/16S 104JTH	J24189049		1-	A	
R 8509	CHIP RES.	27k	1/16W	1%	RMC1/16SK273FTH	J24189493		1-	A	
R 8510	CHIP RES.	27k	1/16W	1%	RMC1/16SK273FTH	J24189493		1-	A	
R 8511	CHIP RES.	10k	1/16W	1%	RMC1/16SK103FTH	J24189489		1-	A	
R 8512	CHIP RES.	390k	1/16W	1%	RMC1/16SK394FTH	J24189536		1-	A	
R 8513	CHIP RES.	68k	1/16W	1%	RMC1/16SK683FTH	J24189527		1-	A	
R 8514	CHIP RES.	1k	1/16W	1%	RMC1/16SK102FTH	J24189487		1-	A	
R 8515	CHIP RES.	1k	1/16W	5%	RMC1/16S 102JTH	J24189025		1-	A	
R 8516	CHIP RES.	10k	1/16W	5%	RMC1/16S 103JTH	J24189037		1-	A	
R 8518	CHIP RES.	10k	1/16W	5%	RMC1/16S 103JTH	J24189037		1-	A	
R 8519	CHIP CAP.	0.1uF	50V	X7R	GRM155R71H104KE14D	K22178872		1-	A	
R 8520	CHIP RES.	4.7k	1/16W	5%	RMC1/16S 472JTH	J24189033		1-	B	
R 8521	CHIP RES.	4.7k	1/16W	5%	RMC1/16S 472JTH	J24189033		1-	B	
R 8525	CHIP RES.	10k	1/16W	5%	RMC1/16S 103JTH	J24189037		1-	A	
R 8526	CHIP RES.	10k	1/16W	5%	RMC1/16S 103JTH	J24189037		1-	A	
R 8527	CHIP RES.	1k	1/16W	5%	RMC1/16S 102JTH	J24189025		1-	B	
R 8528	CHIP RES.	1k	1/16W	5%	RMC1/16S 102JTH	J24189025		1-	B	
R 8529	CHIP RES.	22	1/16W	5%	RMC1/16S 220JTH	J24189005		1-	A	
R 8530	CHIP RES.	22	1/16W	5%	RMC1/16S 220JTH	J24189005		1-	A	
R 8531	CHIP RES.	0	1/16W	5%	RMC1/16S JPTH	J24189070		1-	A	
R 8532	CHIP RES.	0	1/16W	5%	RMC1/16S JPTH	J24189070		1-	A	
R 8533	CHIP RES.	0	1/16W	5%	RMC1/16S JPTH	J24189070		1-	A	
R 8534	CHIP RES.	0	1/16W	5%	RMC1/16S JPTH	J24189070		1-	B	
R 8535	CHIP RES.	1k	1/16W	5%	RMC1/16S 102JTH	J24189025		1-	A	
R 8536	CHIP RES.	1k	1/16W	5%	RMC1/16S 102JTH	J24189025		1-	A	
R 8537	CHIP RES.	22	1/16W	5%	RMC1/16S 220JTH	J24189005		1-	B	
R 8538	CHIP RES.	22	1/16W	5%	RMC1/16S 220JTH	J24189005		1-	B	
R 8539	CHIP RES.	22	1/16W	5%	RMC1/16S 220JTH	J24189005		1-	A	
R 8541	CHIP RES.	0	1/16W	5%	RMC1/16S JPTH	J24189070		1-	A	
R 8542	CHIP RES.	1k	1/16W	5%	RMC1/16S 102JTH	J24189025		1-	A	
R 8543	CHIP RES.	1k	1/16W	5%	RMC1/16S 102JTH	J24189025		1-	A	
R 8544	CHIP RES.	1k	1/16W	5%	RMC1/16S 102JTH	J24189025		1-	A	
R 8546	CHIP RES.	1k	1/16W	5%	RMC1/16S 102JTH	J24189025		1-	A	
R 8547	CHIP RES.	1k	1/16W	5%	RMC1/16S 102JTH	J24189025		1-	A	
R 8548	CHIP RES.	1k	1/16W	5%	RMC1/16S 102JTH	J24189025		1-	A	
R 8549	CHIP RES.	10k	1/16W	5%	RMC1/16S 103JTH	J24189037		1-	A	
R 8550	CHIP RES.	470	1/16W	5%	RMC1/16S 471JTH	J24189021		1-	A	
R 8551	CHIP RES.	22	1/16W	5%	RMC1/16S 220JTH	J24189005		1-	A	
R 8552	CHIP RES.	1k	1/16W	5%	RMC1/16S 102JTH	J24189025		1-	A	
R 8553	CHIP RES.	10k	1/16W	5%	RMC1/16S 103JTH	J24189037		1-	A	
R 8554	CHIP RES.	10k	1/16W	5%	RMC1/16S 103JTH	J24189037		1-	A	
R 8555	CHIP RES.	22k	1/16W	5%	RMC1/16S 223JTH	J24189041		1-	A	
R 8556	CHIP RES.	22k	1/16W	5%	RMC1/16S 223JTH	J24189041		1-	A	
R 8557	CHIP RES.	1M	1/16W	5%	RMC1/16S 105JTH	J24189061		1-	A	
R 8558	CHIP RES.	22k	1/16W	5%	RMC1/16S 223JTH	J24189041		1-	A	
R 8559	CHIP RES.	0	1/16W	5%	RMC1/16S JPTH	J24189070		1-	A	
R 8560	CHIP RES.	0	1/16W	5%	RMC1/16S JPTH	J24189070		1-	A	
R 8561	CHIP RES.	0	1/16W	5%	RMC1/16S JPTH	J24189070		1-	A	
R 8562	CHIP RES.	22k	1/16W	5%	RMC1/16S 223JTH	J24189041		1-	A	
R 8563	CHIP RES.	22k	1/16W	5%	RMC1/16S 223JTH	J24189041		1-	B	
R 8564	CHIP RES.	22k	1/16W	5%	RMC1/16S 223JTH	J24189041		1-	B	
R 8565	CHIP RES.	22k	1/16W	5%	RMC1/16S 223JTH	J24189041		1-	B	
R 8566	CHIP RES.	22k	1/16W	5%	RMC1/16S 223JTH	J24189041		1-	B	
R 8567	CHIP RES.	0	1/16W	5%	RMC1/16S JPTH	J24189070		1-	A	
R 8568	CHIP RES.	0	1/16W	5%	RMC1/16S JPTH	J24189070		1-	A	
R 8569	CHIP RES.	0	1/16W	5%	RMC1/16S JPTH	J24189070		1-	A	
R 8570	CHIP RES.	22k	1/16W	5%	RMC1/16S 223JTH	J24189041		1-	B	
R 8571	CHIP RES.	22k	1/16W	5%	RMC1/16S 223JTH	J24189041		1-	B	
R 8572	CHIP RES.	10k	1/16W	5%	RMC1/16S 103JTH	J24189037		1-	A	
R 8573	CHIP RES.	10k	1/16W	5%	RMC1/16S 103JTH	J24189037		1-	B	
R 8574	CHIP RES.	10k	1/16W	5%	RMC1/16S 103JTH	J24189037		1-	A	
R 8575	CHIP RES.	22	1/16W	5%	RMC1/16S 220JTH	J24189005		1-	A	
R 8576	CHIP RES.	22	1/16W	5%	RMC1/16S 220JTH	J24189005		1-	A	
R 8577	CHIP RES.	22	1/16W	5%	RMC1/16S 220JTH	J24189005		1-	A	
R 8578	CHIP RES.	22	1/16W	5%	RMC1/16S 220JTH	J24189005		1-	A	
R 8579	CHIP RES.	1k	1/16W	5%	RMC1/16S 102JTH	J24189025		1-	B	
R 8580	CHIP RES.	1k	1/16W	5%	RMC1/16S 102JTH	J24189025		1-	B	
R 8581	CHIP RES.	1k	1/16W	5%	RMC1/16S 102JTH	J24189025		1-	B	
R 8582	CHIP RES.	1k	1/16W	5%	RMC1/16S 102JTH	J24189025		1-	B	

DISPLAY Unit

Parts List

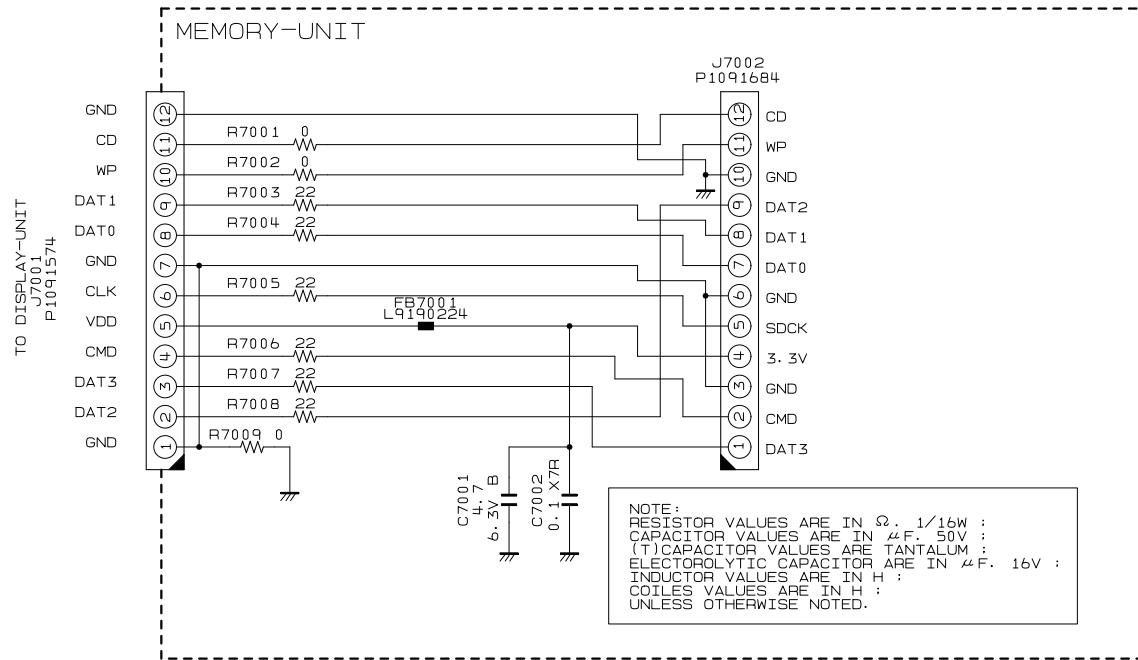
REF	DESCRIPTION	VALUE	V/W	TOL.	MFR'S DESIG	YAESU P/N	VERS.	LOT	SIDE	LAY ADR
R 8583	CHIP RES.	1k	1/16W	5%	RMC1/16S 102JTH	J24189025		1-	B	
R 8584	CHIP RES.	1k	1/16W	5%	RMC1/16S 102JTH	J24189025		1-	B	
R 8585	CHIP RES.	22	1/16W	5%	RMC1/16S 220JTH	J24189005		1-	A	
R 8586	CHIP RES.	22	1/16W	5%	RMC1/16S 220JTH	J24189005		1-	A	
R 8587	CHIP RES.	1k	1/16W	5%	RMC1/16S 102JTH	J24189025		1-	B	
R 8588	CHIP RES.	1k	1/16W	5%	RMC1/16S 102JTH	J24189025		1-	B	
R 8589	CHIP RES.	1k	1/16W	5%	RMC1/16S 102JTH	J24189025		1-	B	
R 8590	CHIP RES.	1k	1/16W	5%	RMC1/16S 102JTH	J24189025		1-	B	
R 8591	CHIP RES.	1k	1/16W	5%	RMC1/16S 102JTH	J24189025		1-	B	
R 8592	CHIP RES.	1k	1/16W	5%	RMC1/16S 102JTH	J24189025		1-	B	
R 8593	CHIP RES.	1k	1/16W	5%	RMC1/16S 102JTH	J24189025		1-	B	
R 8594	CHIP RES.	10k	1/16W	5%	RMC1/16S 103JTH	J24189037		1-	A	
R 8595	CHIP RES.	22k	1/16W	5%	RMC1/16S 223JTH	J24189041		1-	B	
R 8596	CHIP RES.	22k	1/16W	5%	RMC1/16S 223JTH	J24189041		1-	B	
R 8597	CHIP RES.	1k	1/16W	5%	RMC1/16S 102JTH	J24189025		1-	A	
R 8598	CHIP RES.	1k	1/16W	5%	RMC1/16S 102JTH	J24189025		1-	A	
R 8599	CHIP RES.	22	1/16W	5%	RMC1/16S 220JTH	J24189005		1-	B	
R 8600	CHIP RES.	22	1/16W	5%	RMC1/16S 220JTH	J24189005		1-	A	
R 8601	CHIP RES.	1k	1/16W	5%	RMC1/16S 102JTH	J24189025		1-	B	
R 8602	CHIP RES.	10k	1/16W	5%	RMC1/16S 103JTH	J24189037		1-	A	
R 8607	CHIP RES.	10k	1/16W	5%	RMC1/16S 103JTH	J24189037		1-	A	
R 8608	CHIP RES.	22k	1/16W	5%	RMC1/16S 223JTH	J24189041		1-	B	
R 8609	CHIP RES.	22k	1/16W	5%	RMC1/16S 223JTH	J24189041		1-	B	
R 8610	CHIP RES.	22k	1/16W	5%	RMC1/16S 223JTH	J24189041		1-	B	
R 8611	CHIP RES.	22k	1/16W	5%	RMC1/16S 223JTH	J24189041		1-	B	
R 8612	CHIP RES.	22k	1/16W	5%	RMC1/16S 223JTH	J24189041		1-	B	
R 8613	CHIP RES.	22k	1/16W	5%	RMC1/16S 223JTH	J24189041		1-	B	
R 8614	CHIP RES.	22k	1/16W	5%	RMC1/16S 223JTH	J24189041		1-	B	
R 8615	CHIP RES.	22k	1/16W	5%	RMC1/16S 223JTH	J24189041		1-	B	
R 8616	CHIP RES.	1k	1/16W	5%	RMC1/16S 102JTH	J24189025		1-	A	
R 8617	CHIP RES.	47k	1/16W	5%	RMC1/16S 473JTH	J24189045		1-	A	
R 8620	CHIP RES.	100	1/16W	5%	RMC1/16S 101JTH	J24189013		1-	A	
R 8621	CHIP RES.	100	1/16W	5%	RMC1/16S 101JTH	J24189013		1-	A	
R 8622	CHIP RES.	22	1/16W	5%	RMC1/16S 220JTH	J24189005		1-	A	
R 8623	CHIP RES.	22	1/16W	5%	RMC1/16S 220JTH	J24189005		1-	A	
R 8624	CHIP RES.	22	1/16W	5%	RMC1/16S 220JTH	J24189005		1-	A	
R 8625	CHIP RES.	22	1/16W	5%	RMC1/16S 220JTH	J24189005		1-	A	
R 8626	CHIP RES.	22	1/16W	5%	RMC1/16S 220JTH	J24189005		1-	A	
R 8627	CHIP RES.	22	1/16W	5%	RMC1/16S 220JTH	J24189005		1-	A	
R 8628	CHIP RES.	0	1/16W	5%	RMC1/16S JPTH	J24189070		1-	A	
R 8629	CHIP RES.	0	1/16W	5%	RMC1/16S JPTH	J24189070		1-	A	
R 8633	CHIP RES.	10k	1/16W	5%	RMC1/16S 103JTH	J24189037		1-	A	
R 8640	CHIP RES.	10k	1/16W	5%	RMC1/16S 103JTH	J24189037		1-	A	
R 8641	CHIP RES.	10k	1/16W	5%	RMC1/16S 103JTH	J24189037		1-	A	
R 8642	CHIP RES.	100k	1/16W	5%	RMC1/16S 104JTH	J24189049		1-	A	
R 8643	CHIP RES.	100k	1/16W	5%	RMC1/16S 104JTH	J24189049		1-	A	
R 8644	CHIP RES.	100k	1/16W	5%	RMC1/16S 104JTH	J24189049		1-	A	
R 8647	CHIP RES.	0	1/16W	5%	RMC1/16S JPTH	J24189070		1-	A	
R 8648	CHIP RES.	15	1W	5%	RMC1 150JTE	J24305150		1-	B	
R 8649	CHIP RES.	15	1W	5%	RMC1 150JTE	J24305150		1-	B	
R 8650	CHIP RES.	15	1W	5%	RMC1 150JTE	J24305150		1-	B	
R 8653	CHIP RES.	22k	1/16W	5%	RMC1/16S 223JTH	J24189041		1-	A	
R 8654	CHIP RES.	10k	1/16W	5%	RMC1/16S 103JTH	J24189037		1-	A	
R 8658	CHIP RES.	10k	1/16W	5%	RMC1/16S 103JTH	J24189037		1-	A	
R 8659	CHIP RES.	22k	1/16W	5%	RMC1/16S 223JTH	J24189041		1-	A	
R 8660	CHIP RES.	0	1/16W	5%	RMC1/16S JPTH	J24189070		1-	B	
R 8663	CHIP RES.	0	1/16W	5%	RMC1/16S JPTH	J24189070		1-	A	
R 8664	CHIP RES.	0	1/16W	5%	RMC1/16S JPTH	J24189070		1-	A	
R 8665	CHIP RES.	22k	1/16W	5%	RMC1/16S 223JTH	J24189041		1-	A	
R 8666	CHIP RES.	100k	1/16W	5%	RMC1/16S 104JTH	J24189049		1-	B	
R 8667	CHIP RES.	1k	1/16W	5%	RMC1/16S 102JTH	J24189025		1-	A	
R 8670	CHIP RES.	0	1/16W	5%	RMC1/16S JPTH	J24189070		1-	A	
R 8672	CHIP RES.	0	1/16W	5%	RMC1/16S JPTH	J24189070		1-	A	
R 8673	CHIP RES.	0	1/16W	5%	RMC1/16S JPTH	J24189070		1-	A	
R 8674	CHIP RES.	0	1/16W	5%	RMC1/16S JPTH	J24189070		1-	A	
R 8675	CHIP RES.	22k	1/16W	5%	RMC1/16S 223JTH	J24189041		1-	A	
R 8676	CHIP RES.	0	1/16W	5%	RMC1/16S JPTH	J24189070		1-	A	
R 8677	CHIP RES.	0	1/16W	5%	RMC1/16S JPTH	J24189070		1-	A	
R 8678	CHIP RES.	0	1/16W	5%	RMC1/16S JPTH	J24189070		1-	A	
R 8679	CHIP RES.	22k	1/16W	5%	RMC1/16S 223JTH	J24189041		1-	B	
R 8680	CHIP RES.	22k	1/16W	5%	RMC1/16S 223JTH	J24189041		1-	B	
R 8681	CHIP RES.	22k	1/16W	5%	RMC1/16S 223JTH	J24189041		1-	B	
R 8682	CHIP RES.	10k	1/16W	5%	RMC1/16S 103JTH	J24189037		1-	B	
R 8683	CHIP RES.	10k	1/16W	5%	RMC1/16S 103JTH	J24189037		1-	B	
R 8684	CHIP RES.	10k	1/16W	5%	RMC1/16S 103JTH	J24189037		1-	B	

DISPLAY Unit

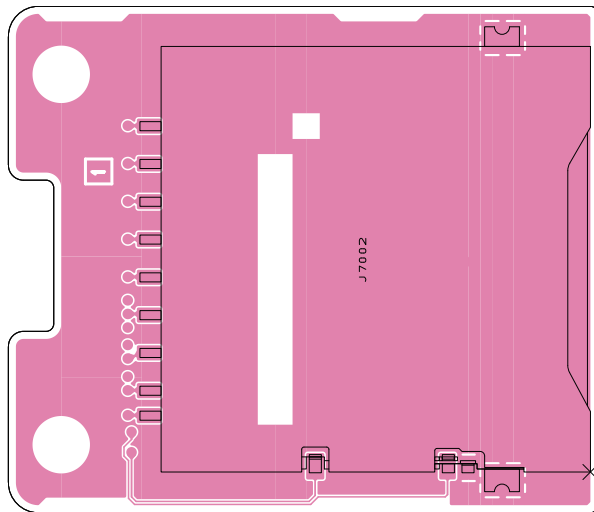
Parts List

REF	DESCRIPTION	VALUE	V/W	TOL.	MFR'S DESIG	YAESU P/N	VERS.	LOT	SIDE	LAY ADR
R 8686	CHIP RES.	47k	1/16W	5%	RMC1/16S 473JTH	J24189045		1-	B	
R 8687	CHIP RES.	1k	1/16W	5%	RMC1/16S 102JTH	J24189025		1-	B	
R 8688	CHIP RES.	0.1	1/4W	5%	RCC16R100JTP	J24249006		1-	A	
R 8689	CHIP RES.	1k	1/16W	5%	RMC1/16S 102JTH	J24189025		1-	A	
R 8690	CHIP RES.	1.2k	1/16W	5%	RMC1/16S 122JTH	J24189026		1-	A	
R 8691	CHIP RES.	1.2k	1/16W	5%	RMC1/16S 122JTH	J24189026		1-	A	
R 8692	CHIP RES.	47k	1/16W	5%	RMC1/16S 473JTH	J24189045		1-	A	
R 8693	CHIP RES.	10	1/16W	5%	RMC1/16S 100JTH	J24189001		1-	A	
R 8694	CHIP RES.	10	1/16W	5%	RMC1/16S 100JTH	J24189001		1-	A	
R 8695	CHIP RES.	10	1/16W	5%	RMC1/16S 100JTH	J24189001		1-	A	
R 8696	CHIP RES.	10	1/16W	5%	RMC1/16S 100JTH	J24189001		1-	A	
R 8697	CHIP RES.	100k	1/16W	5%	RMC1/16S 104JTH	J24189049		1-	A	
R 8699	CHIP RES.	100k	1/16W	5%	RMC1/16S 104JTH	J24189049		1-	A	
R 8700	CHIP RES.	0	1/16W	5%	RMC1/16S JPTH	J24189070		1-	A	
R 8701	CHIP RES.	100k	1/16W	5%	RMC1/16S 104JTH	J24189049		1-	A	
R 8702	CHIP RES.	100k	1/16W	5%	RMC1/16S 104JTH	J24189049		1-	A	
R 8703	CHIP RES.	100k	1/16W	5%	RMC1/16S 104JTH	J24189049		1-	A	
R 8704	CHIP RES.	100k	1/16W	5%	RMC1/16S 104JTH	J24189049		1-	A	
R 8705	CHIP RES.	100k	1/16W	5%	RMC1/16S 104JTH	J24189049		1-	A	
R 8707	CHIP RES.	10k	1/16W	5%	RMC1/16S 103JTH	J24189037		1-	B	
R 8708	CHIP RES.	10k	1/16W	5%	RMC1/16S 103JTH	J24189037		1-	B	
R 8709	CHIP RES.	10k	1/16W	5%	RMC1/16S 103JTH	J24189037		1-	B	
R 8710	CHIP RES.	10k	1/16W	5%	RMC1/16S 103JTH	J24189037		1-	B	
R 8714	CHIP RES.	1k	1/16W	5%	RMC1/16S 102JTH	J24189025		1-	A	
R 8715	CHIP RES.	1k	1/16W	5%	RMC1/16S 102JTH	J24189025		1-	A	
R 8717	CHIP RES.	47k	1/16W	5%	RMC1/16S 473JTH	J24189045		1-	A	
R 8718	CHIP RES.	0	1/16W	5%	RMC1/16S JPTH	J24189070		1-	A	
R 8720	CHIP RES.	0	1/16W	5%	RMC1/16S JPTH	J24189070		1-	A	
R 8726	CHIP RES.	100k	1/16W	5%	RMC1/16S 104JTH	J24189049		1-	A	
R 8727	CHIP RES.	0	1/16W	5%	RMC1/16S JPTH	J24189070		1-	A	
R 8728	CHIP RES.	0	1/16W	5%	RMC1/16S JPTH	J24189070		1-	A	
R 8733	CHIP RES.	100	1/16W	5%	RMC1/16S 101JTH	J24189013		1-	A	
RB8402	BLOCK RES.				RAC104D104JCTH	J42900055		1-	A	
RB8403	BLOCK RES.				RAC104D104JCTH	J42900055		1-	A	
T 8401	CHOKE COIL				DLP11SN900HL2L	L1691732		1-	A	
T 8402	CHOKE COIL				DLP11SN900HL2L	L1691732		1-	A	
T 8403	CHOKE COIL				DLP11SN900HL2L	L1691732		1-	A	
T 8404	CHOKE COIL				DLP11SN900HL2L	L1691732		1-	A	
TC8401	TRIMMER CAP.	10pF			TZC3R100A110R00	K91000282		1-	A	
TP8409	CHECK TERMINAL				RCTCTE	Q5000103		1-	A	
X 8402	XTAL DSX321G	48MHz			48.000MHZ	H0103486		1-	A	
X 8403	XTAL DSX321G	27MHz			27.000MHZ	H0103484		1-	A	
X 8404	XTAL SC-32S	32.768kHz			SC-32S 32.768KHZ	H0103464		1-	A	
	SHIELD CASE				(28X61)	RA6239100		1-		
	SHIELD CASE				(12.5X10)	RA0060200		1-		
	BUSTERAID					RA6115700		1-		

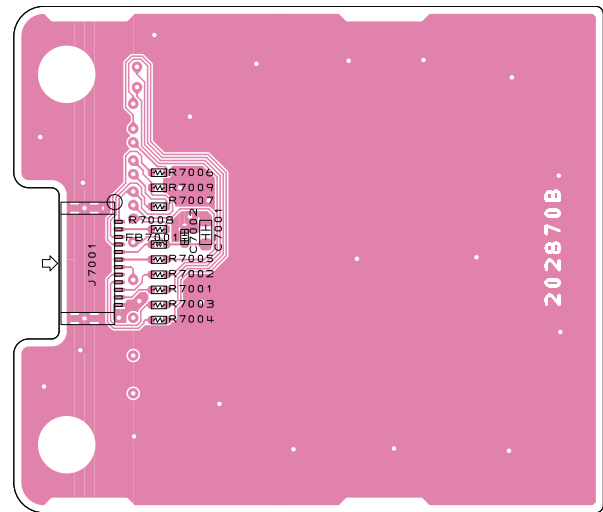
MEMORY Unit Circuit Diagram



Parts Layout



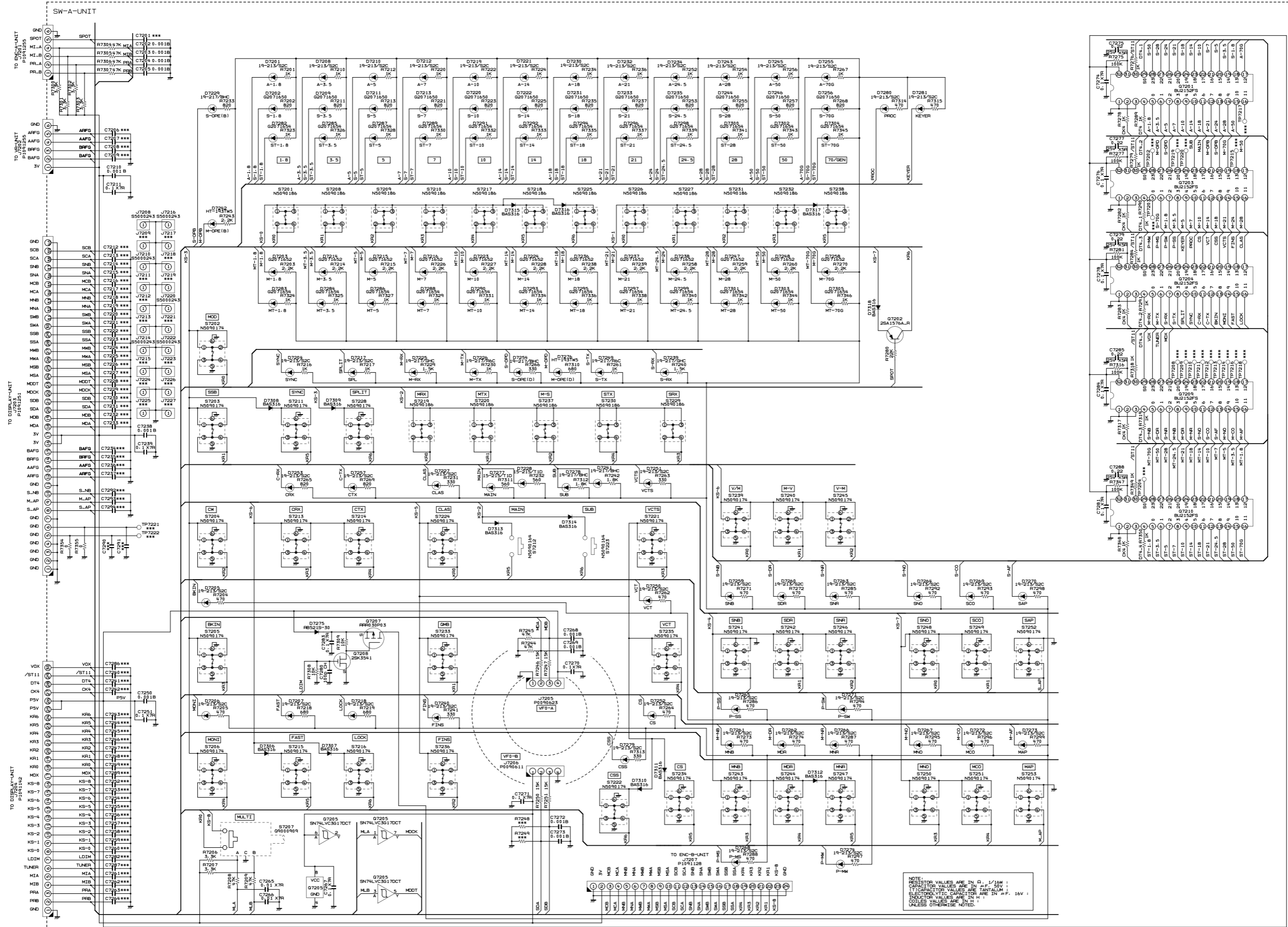
side A

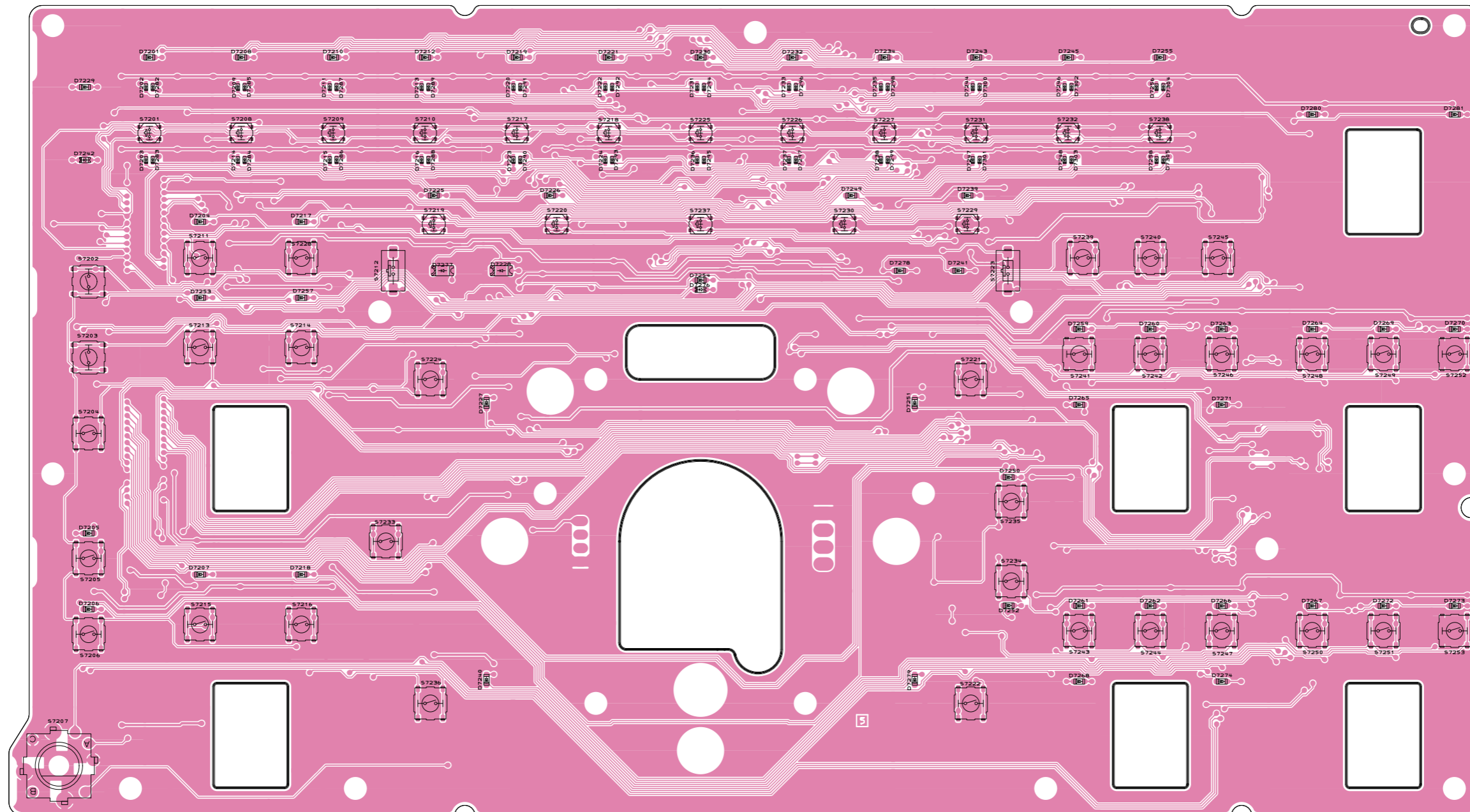


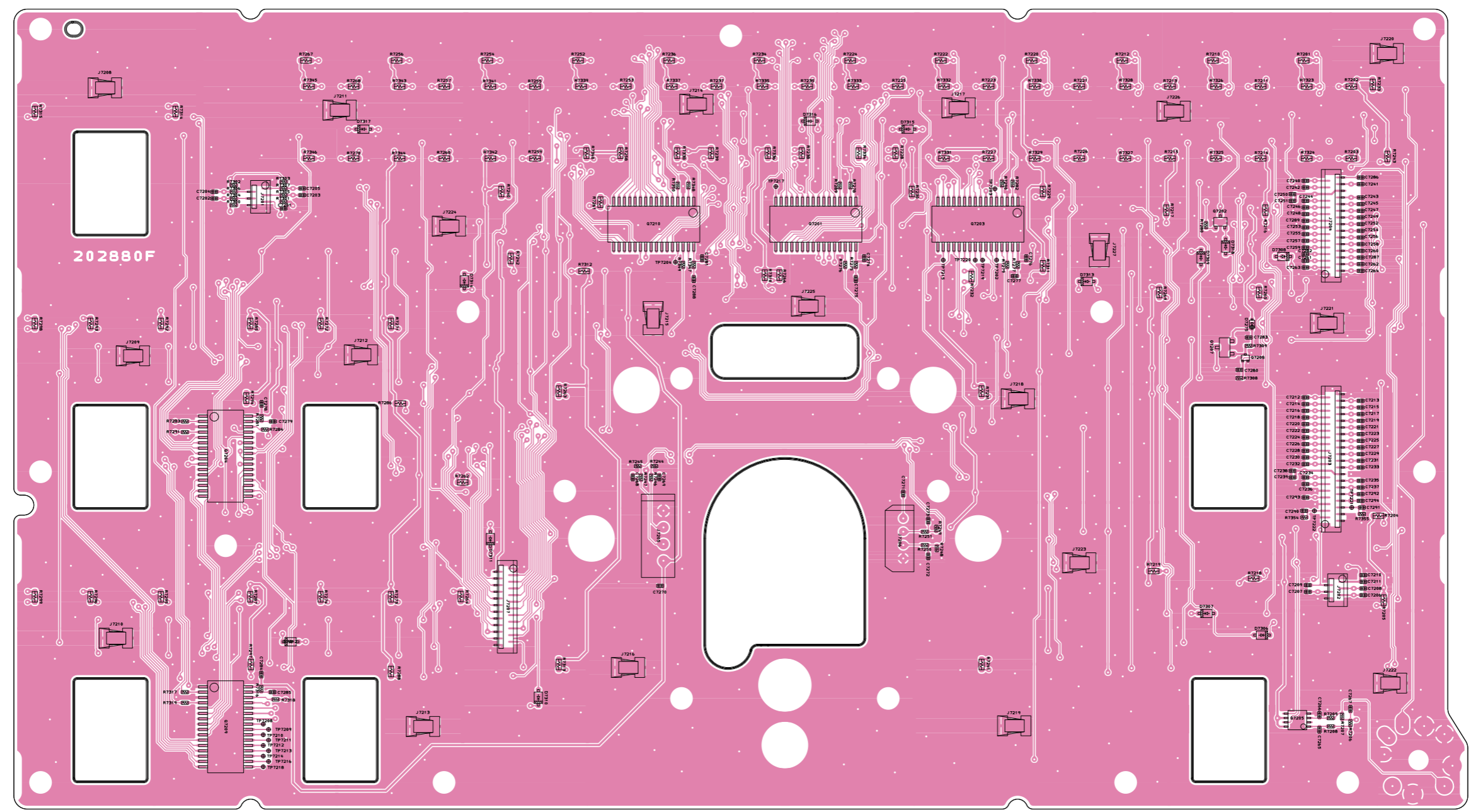
side B

Parts List

REF	DESCRIPTION	VALUE	V/W	TOL.	MFR'S DESIG	YAESU P/N	VERS.	LOT	SIDE	LAY ADR
C 7001	CHIP CAP.	4.7uF	6.3V	B	JMK107BJ475MA-T	K22084803		1-	B	
C 7002	CHIP CAP.	0.1uF	50V	X7R	GRM155R71H104KE14D	K22178872		1-	B	
FB7001	FERRITE BEADS				BLM15PX221SN1D	L9190224		1-	B	
J 7001	CONNECTOR				12FHJ-SM1-TB(LF)(SN)	P1091574		1-	B	
J 7002	CONNECTOR				AXA2S73022P-M	P1091684		1-	A	
R 7001	CHIP RES.	0	1/16W	5%	RMC1/16S JPTH	J24189070		1-	B	
R 7002	CHIP RES.	0	1/16W	5%	RMC1/16S JPTH	J24189070		1-	B	
R 7003	CHIP RES.	22	1/16W	5%	RMC1/16S 220JTH	J24189005		1-	B	
R 7004	CHIP RES.	22	1/16W	5%	RMC1/16S 220JTH	J24189005		1-	B	
R 7005	CHIP RES.	22	1/16W	5%	RMC1/16S 220JTH	J24189005		1-	B	
R 7006	CHIP RES.	22	1/16W	5%	RMC1/16S 220JTH	J24189005		1-	B	
R 7007	CHIP RES.	22	1/16W	5%	RMC1/16S 220JTH	J24189005		1-	B	
R 7008	CHIP RES.	22	1/16W	5%	RMC1/16S 220JTH	J24189005		1-	B	
R 7009	CHIP RES.	0	1/16W	5%	RMC1/16S JPTH	J24189070		1-	B	







SW-A Unit

Parts List

REF	DESCRIPTION	VALUE	V/W	TOL.	MFR'S DESIG	YAESU P/N	VERS.	LOT	SIDE	LAY ADR
C 7202	CHIP CAP.	0.001uF	50V	B	GRM155B11H102KA01D	K22178809		1-	B	
C 7203	CHIP CAP.	0.001uF	50V	B	GRM155B11H102KA01D	K22178809		1-	B	
C 7204	CHIP CAP.	0.001uF	50V	B	GRM155B11H102KA01D	K22178809		1-	B	
C 7205	CHIP CAP.	0.001uF	50V	B	GRM155B11H102KA01D	K22178809		1-	B	
C 7210	CHIP CAP.	0.001uF	50V	B	GRM155B11H102KA01D	K22178809		1-	B	
C 7211	CHIP CAP.	0.1uF	50V	X7R	GRM155R71H104KE14D	K22178872		1-	B	
C 7238	CHIP CAP.	0.001uF	50V	B	GRM155B11H102KA01D	K22178809		1-	B	
C 7239	CHIP CAP.	0.1uF	50V	X7R	GRM155R71H104KE14D	K22178872		1-	B	
C 7250	CHIP CAP.	0.001uF	50V	B	GRM155B11H102KA01D	K22178809		1-	B	
C 7251	CHIP CAP.	0.1uF	50V	X7R	GRM155R71H104KE14D	K22178872		1-	B	
C 7265	CHIP CAP.	0.01uF	50V	X7R	GRM155R71H103KA88D	K22178848		1-	B	
C 7266	CHIP CAP.	0.01uF	50V	X7R	GRM155R71H103KA88D	K22178848		1-	B	
C 7267	CHIP CAP.	0.1uF	50V	X7R	GRM155R71H104KE14D	K22178872		1-	B	
C 7268	CHIP CAP.	0.001uF	50V	B	GRM155B11H102KA01D	K22178809		1-	B	
C 7269	CHIP CAP.	0.001uF	50V	B	GRM155B11H102KA01D	K22178809		1-	B	
C 7270	CHIP CAP.	0.1uF	50V	X7R	GRM155R71H104KE14D	K22178872		1-	B	
C 7271	CHIP CAP.	0.1uF	50V	X7R	GRM155R71H104KE14D	K22178872		1-	B	
C 7272	CHIP CAP.	0.001uF	50V	B	GRM155B11H102KA01D	K22178809		1-	B	
C 7273	CHIP CAP.	0.001uF	50V	B	GRM155B11H102KA01D	K22178809		1-	B	
C 7274	CHIP CAP.	0.1uF	50V	X7R	GRM155R71H104KE14D	K22178872		1-	B	
C 7275	CHIP CAP.	0.22uF	25V	X5R	GRM155R61E224KE01D	K22149006		1-	B	
C 7276	CHIP CAP.	0.1uF	50V	X7R	GRM155R71H104KE14D	K22178872		1-	B	
C 7277	CHIP CAP.	0.22uF	25V	X5R	GRM155R61E224KE01D	K22149006		1-	B	
C 7278	CHIP CAP.	0.1uF	50V	X7R	GRM155R71H104KE14D	K22178872		1-	B	
C 7279	CHIP CAP.	0.22uF	25V	X5R	GRM155R61E224KE01D	K22149006		1-	B	
C 7280	CHIP CAP.	100pF	50V	CH	GRM155C1H101JA01D	K22178236		1-	B	
C 7281	CHIP CAP.	0.1uF	50V	X7R	GRM155R71H104KE14D	K22178872		1-	B	
C 7283	CHIP CAP.	0.1uF	50V	X7R	GRM155R71H104KE14D	K22178872		1-	B	
C 7284	CHIP CAP.	0.1uF	50V	X7R	GRM155R71H104KE14D	K22178872		1-	B	
C 7285	CHIP CAP.	0.22uF	25V	X5R	GRM155R61E224KE01D	K22149006		1-	B	
C 7288	CHIP CAP.	0.22uF	25V	X5R	GRM155R61E224KE01D	K22149006		1-	B	
D 7201	LED				19-213/S2C-AP1Q2B/3T	G2071558		1-	A	
D 7202	LED				16-213/BHC-AN1P2/3T	G2071650		1-	A	
D 7203	LED				16-219A/T2D-AR2T1QY/3T	G2071652		1-	A	
D 7204	LED				19-213/S2C-AP1Q2B/3T	G2071558		1-	A	
D 7205	LED				19-213/S2C-AP1Q2B/3T	G2071558		1-	A	
D 7206	LED				19-213/S2C-AP1Q2B/3T	G2071558		1-	A	
D 7207	LED				19-213/S2C-AP1Q2B/3T	G2071558		1-	A	
D 7208	LED				19-213/S2C-AP1Q2B/3T	G2071558		1-	A	
D 7209	LED				16-213/BHC-AN1P2/3T	G2071650		1-	A	
D 7210	LED				19-213/S2C-AP1Q2B/3T	G2071558		1-	A	
D 7211	LED				16-213/BHC-AN1P2/3T	G2071650		1-	A	
D 7212	LED				19-213/S2C-AP1Q2B/3T	G2071558		1-	A	
D 7213	LED				16-213/BHC-AN1P2/3T	G2071650		1-	A	
D 7214	LED				16-219A/T2D-AR2T1QY/3T	G2071652		1-	A	
D 7215	LED				16-219A/T2D-AR2T1QY/3T	G2071652		1-	A	
D 7216	LED				16-219A/T2D-AR2T1QY/3T	G2071652		1-	A	
D 7217	LED				19-213/S2C-AP1Q2B/3T	G2071558		1-	A	
D 7218	LED				19-213/S2C-AP1Q2B/3T	G2071558		1-	A	
D 7219	LED				19-213/S2C-AP1Q2B/3T	G2071558		1-	A	
D 7220	LED				16-213/BHC-AN1P2/3T	G2071650		1-	A	
D 7221	LED				19-213/S2C-AP1Q2B/3T	G2071558		1-	A	
D 7222	LED				16-213/BHC-AN1P2/3T	G2071650		1-	A	
D 7223	LED				16-219A/T2D-AR2T1QY/3T	G2071652		1-	A	
D 7224	LED				16-219A/T2D-AR2T1QY/3T	G2071652		1-	A	
D 7225	LED				19-217/GHC-YR1S2/3T	G2071438		1-	A	
D 7226	LED				19-217/R6C-P1Q2/3T	G2071440		1-	A	
D 7227	LED				19-213/S2C-AP1Q2B/3T	G2071558		1-	A	
D 7228	LED				15-215/T1D-APQHY/2T	G2071640		1-	A	
D 7230	LED				19-213/S2C-AP1Q2B/3T	G2071558		1-	A	
D 7231	LED				16-213/BHC-AN1P2/3T	G2071650		1-	A	
D 7232	LED				19-213/S2C-AP1Q2B/3T	G2071558		1-	A	
D 7233	LED				16-213/BHC-AN1P2/3T	G2071650		1-	A	
D 7234	LED				19-213/S2C-AP1Q2B/3T	G2071558		1-	A	
D 7235	LED				16-213/BHC-AN1P2/3T	G2071650		1-	A	
D 7236	LED				16-219A/T2D-AR2T1QY/3T	G2071652		1-	A	
D 7237	LED				16-219A/T2D-AR2T1QY/3T	G2071652		1-	A	
D 7238	LED				16-219A/T2D-AR2T1QY/3T	G2071652		1-	A	
D 7239	LED				19-217/GHC-YR1S2/3T	G2071438		1-	A	
D 7240	LED				19-213/S2C-AP1Q2B/3T	G2071558		1-	A	
D 7242	LED				HT-193TW5	G2071390		1-	A	
D 7243	LED				19-213/S2C-AP1Q2B/3T	G2071558		1-	A	
D 7244	LED				16-213/BHC-AN1P2/3T	G2071650		1-	A	
D 7245	LED				19-213/S2C-AP1Q2B/3T	G2071558		1-	A	
D 7246	LED				16-213/BHC-AN1P2/3T	G2071650		1-	A	

SW-A Unit

Parts List

REF	DESCRIPTION	VALUE	V/W	TOL.	MFR'S DESIG	YAESU P/N	VERS.	LOT	SIDE	LAY ADR
D 7247	LED				16-219A/T2D-AR2T1QY/3T	G2071652		1-	A	
D 7248	LED				16-219A/T2D-AR2T1QY/3T	G2071652		1-	A	
D 7249	LED				19-217/R6C-P1Q2/3T	G2071440		1-	A	
D 7250	LED				19-213/S2C-AP1Q2B/3T	G2071558		1-	A	
D 7251	LED				19-213/S2C-AP1Q2B/3T	G2071558		1-	A	
D 7252	LED				19-213/S2C-AP1Q2B/3T	G2071558		1-	A	
D 7253	LED				19-213/S2C-AP1Q2B/3T	G2071558		1-	A	
D 7255	LED				19-213/S2C-AP1Q2B/3T	G2071558		1-	A	
D 7256	LED				16-213/BHC-AN1P2/3T	G2071650		1-	A	
D 7257	LED				19-213/S2C-AP1Q2B/3T	G2071558		1-	A	
D 7258	LED				16-219A/T2D-AR2T1QY/3T	G2071652		1-	A	
D 7259	LED				19-213/S2C-AP1Q2B/3T	G2071558		1-	A	
D 7260	LED				19-213/S2C-AP1Q2B/3T	G2071558		1-	A	
D 7261	LED				19-213/S2C-AP1Q2B/3T	G2071558		1-	A	
D 7262	LED				19-213/S2C-AP1Q2B/3T	G2071558		1-	A	
D 7263	LED				19-213/S2C-AP1Q2B/3T	G2071558		1-	A	
D 7264	LED				19-213/S2C-AP1Q2B/3T	G2071558		1-	A	
D 7265	LED				19-213/S2C-AP1Q2B/3T	G2071558		1-	A	
D 7266	LED				19-213/S2C-AP1Q2B/3T	G2071558		1-	A	
D 7267	LED				19-213/S2C-AP1Q2B/3T	G2071558		1-	A	
D 7268	LED				19-213/S2C-AP1Q2B/3T	G2071558		1-	A	
D 7269	LED				19-213/S2C-AP1Q2B/3T	G2071558		1-	A	
D 7270	LED				19-213/S2C-AP1Q2B/3T	G2071558		1-	A	
D 7271	LED				19-213/S2C-AP1Q2B/3T	G2071558		1-	A	
D 7272	LED				19-213/S2C-AP1Q2B/3T	G2071558		1-	A	
D 7273	LED				19-213/S2C-AP1Q2B/3T	G2071558		1-	A	
D 7274	LED				19-213/S2C-AP1Q2B/3T	G2071558		1-	A	
D 7275	DIODE				RB521S-30 TE61	G2070642		1-	B	
D 7276	LED				HT-193TW5	G2071390		1-	A	
D 7277	LED				15-215/T1D-APQHY/2T	G2071640		1-	A	
D 7279	LED				19-213/S2C-AP1Q2B/3T	G2071558		1-	A	
D 7280	LED				19-213/S2C-AP1Q2B/3T	G2071558		1-	A	
D 7281	LED				19-213/S2C-AP1Q2B/3T	G2071558		1-	A	
D 7282	LED				BL-HUB37A-AV-TRB	G2071654		1-	A	
D 7283	LED				BL-HUB37A-AV-TRB	G2071654		1-	A	
D 7284	LED				BL-HUB37A-AV-TRB	G2071654		1-	A	
D 7285	LED				BL-HUB37A-AV-TRB	G2071654		1-	A	
D 7286	LED				BL-HUB37A-AV-TRB	G2071654		1-	A	
D 7287	LED				BL-HUB37A-AV-TRB	G2071654		1-	A	
D 7288	LED				BL-HUB37A-AV-TRB	G2071654		1-	A	
D 7289	LED				BL-HUB37A-AV-TRB	G2071654		1-	A	
D 7290	LED				BL-HUB37A-AV-TRB	G2071654		1-	A	
D 7291	LED				BL-HUB37A-AV-TRB	G2071654		1-	A	
D 7292	LED				BL-HUB37A-AV-TRB	G2071654		1-	A	
D 7293	LED				BL-HUB37A-AV-TRB	G2071654		1-	A	
D 7294	LED				BL-HUB37A-AV-TRB	G2071654		1-	A	
D 7295	LED				BL-HUB37A-AV-TRB	G2071654		1-	A	
D 7296	LED				BL-HUB37A-AV-TRB	G2071654		1-	A	
D 7297	LED				BL-HUB37A-AV-TRB	G2071654		1-	A	
D 7298	LED				BL-HUB37A-AV-TRB	G2071654		1-	A	
D 7299	LED				BL-HUB37A-AV-TRB	G2071654		1-	A	
D 7300	LED				BL-HUB37A-AV-TRB	G2071654		1-	A	
D 7301	LED				BL-HUB37A-AV-TRB	G2071654		1-	A	
D 7302	LED				BL-HUB37A-AV-TRB	G2071654		1-	A	
D 7303	LED				BL-HUB37A-AV-TRB	G2071654		1-	A	
D 7304	LED				BL-HUB37A-AV-TRB	G2071654		1-	A	
D 7305	LED				BL-HUB37A-AV-TRB	G2071654		1-	A	
D 7306	DIODE				BAS316	G2070716		1-	B	
D 7307	DIODE				BAS316	G2070716		1-	B	
D 7308	DIODE				BAS316	G2070716		1-	B	
D 7309	DIODE				BAS316	G2070716		1-	B	
D 7310	DIODE				BAS316	G2070716		1-	B	
D 7311	DIODE				BAS316	G2070716		1-	B	
D 7312	DIODE				BAS316	G2070716		1-	B	
D 7313	DIODE				BAS316	G2070716		1-	B	
D 7314	DIODE				BAS316	G2070716		1-	B	
D 7315	DIODE				BAS316	G2070716		1-	B	
D 7316	DIODE				BAS316	G2070716		1-	B	
D 7317	DIODE				BAS316	G2070716		1-	B	
D 7318	DIODE				BAS316	G2070716		1-	B	
J 7201	CONNECTOR				06FLT-SM2-TB(LF)(SN)	P1091255		1-	B	
J 7202	CONNECTOR				06FLT-SM2-TB(LF)(SN)	P1091255		1-	B	
J 7203	CONNECTOR				40FLT-SM2-TB(LF)(SN)(M)	P1091251		1-	B	
J 7204	CONNECTOR				30FLT-SM2-TB(LF)(SN)(M)	P1091142		1-	B	
J 7205	CONNECTOR				SC25-04WS	P0090623		1-	B	

SW-A Unit

Parts List

REF	DESCRIPTION	VALUE	V/W	TOL.	MFR'S DESIG	YAESU P/N	VERS.	LOT	SIDE	LAY ADR
J 7206	CONNECTOR				SB20-04WS	P0090611		1-	B	
J 7207	CONNECTOR				24FLT-SM2-TB(LF)(SN)(M)	P1091128		1-	B	
J 7208	CONTACT				OG-503040	S5000243		1-	B	
J 7210	CONTACT				OG-503040	S5000243		1-	B	
J 7214	CONTACT				OG-503040	S5000243		1-	B	
J 7216	CONTACT				OG-503040	S5000243		1-	B	
J 7220	CONTACT				OG-503040	S5000243		1-	B	
J 7222	CONTACT				OG-503040	S5000243		1-	B	
Q 7201	IC				BU2152FS(TAPE)	G1093942		1-	B	
Q 7202	TRANSISTOR				2SA1576A T106 R	G3115768R		1-	B	
Q 7203	IC				BU2152FS(TAPE)	G1093942		1-	B	
Q 7204	IC				BU2152FS(TAPE)	G1093942		1-	B	
Q 7205	IC				SN74LVC3G17DCTR	G1094419		1-	B	
Q 7207	FET				RRR030P03	G3070448		1-	B	
Q 7208	FET				2SK3541 T2L	G3835417		1-	B	
Q 7209	IC				BU2152FS(TAPE)	G1093942		1-	B	
Q 7210	IC				BU2152FS(TAPE)	G1093942		1-	B	
R 7201	CHIP RES.	1k	1/16W	5%	RMC1/16 102JATP	J24185102		1-	B	
R 7202	CHIP RES.	820	1/16W	5%	RMC1/16 821JATP	J24185821		1-	B	
R 7203	CHIP RES.	2.2k	1/16W	5%	RMC1/16 222JATP	J24185222		1-	B	
R 7204	CHIP RES.	470	1/16W	5%	RMC1/16 471JATP	J24185471		1-	B	
R 7205	CHIP RES.	470	1/16W	5%	RMC1/16 471JATP	J24185471		1-	B	
R 7206	CHIP RES.	3.3k	1/16W	5%	RMC1/16S 332JTH	J24189031		1-	B	
R 7207	CHIP RES.	3.3k	1/16W	5%	RMC1/16S 332JTH	J24189031		1-	B	
R 7208	CHIP RES.	47k	1/16W	5%	RMC1/16S 473JTH	J24189045		1-	B	
R 7209	CHIP RES.	47k	1/16W	5%	RMC1/16S 473JTH	J24189045		1-	B	
R 7210	CHIP RES.	1k	1/16W	5%	RMC1/16 102JATP	J24185102		1-	B	
R 7211	CHIP RES.	820	1/16W	5%	RMC1/16 821JATP	J24185821		1-	B	
R 7212	CHIP RES.	1k	1/16W	5%	RMC1/16 102JATP	J24185102		1-	B	
R 7213	CHIP RES.	820	1/16W	5%	RMC1/16 821JATP	J24185821		1-	B	
R 7214	CHIP RES.	2.2k	1/16W	5%	RMC1/16 222JATP	J24185222		1-	B	
R 7215	CHIP RES.	2.2k	1/16W	5%	RMC1/16 222JATP	J24185222		1-	B	
R 7216	CHIP RES.	1k	1/16W	5%	RMC1/16 102JATP	J24185102		1-	B	
R 7217	CHIP RES.	1k	1/16W	5%	RMC1/16 102JATP	J24185102		1-	B	
R 7218	CHIP RES.	680	1/16W	5%	RMC1/16 681JATP	J24185681		1-	B	
R 7219	CHIP RES.	680	1/16W	5%	RMC1/16 681JATP	J24185681		1-	B	
R 7220	CHIP RES.	1k	1/16W	5%	RMC1/16 102JATP	J24185102		1-	B	
R 7221	CHIP RES.	820	1/16W	5%	RMC1/16 821JATP	J24185821		1-	B	
R 7222	CHIP RES.	1k	1/16W	5%	RMC1/16 102JATP	J24185102		1-	B	
R 7223	CHIP RES.	820	1/16W	5%	RMC1/16 821JATP	J24185821		1-	B	
R 7224	CHIP RES.	1k	1/16W	5%	RMC1/16 102JATP	J24185102		1-	B	
R 7225	CHIP RES.	820	1/16W	5%	RMC1/16 821JATP	J24185821		1-	B	
R 7226	CHIP RES.	2.2k	1/16W	5%	RMC1/16 222JATP	J24185222		1-	B	
R 7227	CHIP RES.	2.2k	1/16W	5%	RMC1/16 222JATP	J24185222		1-	B	
R 7228	CHIP RES.	2.2k	1/16W	5%	RMC1/16 222JATP	J24185222		1-	B	
R 7229	CHIP RES.	1.5k	1/16W	5%	RMC1/16 152JATP	J24185152		1-	B	
R 7230	CHIP RES.	1k	1/16W	5%	RMC1/16 102JATP	J24185102		1-	B	
R 7231	CHIP RES.	330	1/16W	5%	RMC1/16 331JATP	J24185331		1-	B	
R 7232	CHIP RES.	560	1/16W	5%	RMC1/16 561JATP	J24185561		1-	B	
R 7233	CHIP RES.	820	1/16W	5%	RMC1/16 821JATP	J24185821		1-	B	
R 7234	CHIP RES.	1k	1/16W	5%	RMC1/16 102JATP	J24185102		1-	B	
R 7235	CHIP RES.	820	1/16W	5%	RMC1/16 821JATP	J24185821		1-	B	
R 7236	CHIP RES.	1k	1/16W	5%	RMC1/16 102JATP	J24185102		1-	B	
R 7237	CHIP RES.	820	1/16W	5%	RMC1/16 821JATP	J24185821		1-	B	
R 7238	CHIP RES.	2.2k	1/16W	5%	RMC1/16 222JATP	J24185222		1-	B	
R 7239	CHIP RES.	2.2k	1/16W	5%	RMC1/16 222JATP	J24185222		1-	B	
R 7240	CHIP RES.	1.5k	1/16W	5%	RMC1/16 152JATP	J24185152		1-	B	
R 7241	CHIP RES.	330	1/16W	5%	RMC1/16 331JATP	J24185331		1-	B	
R 7242	CHIP RES.	1.8k	1/16W	5%	RMC1/16 182JATP	J24185182		1-	B	
R 7243	CHIP RES.	2.2k	1/16W	5%	RMC1/16 222JATP	J24185222		1-	B	
R 7244	CHIP RES.	47k	1/16W	5%	RMC1/16S 473JTH	J24189045		1-	B	
R 7245	CHIP RES.	47k	1/16W	5%	RMC1/16S 473JTH	J24189045		1-	B	
R 7246	CHIP RES.	15k	1/16W	5%	RMC1/16S 153JTH	J24189039		1-	B	
R 7247	CHIP RES.	15k	1/16W	5%	RMC1/16S 153JTH	J24189039		1-	B	
R 7250	CHIP RES.	15k	1/16W	5%	RMC1/16S 153JTH	J24189039		1-	B	
R 7251	CHIP RES.	15k	1/16W	5%	RMC1/16S 153JTH	J24189039		1-	B	
R 7252	CHIP RES.	1k	1/16W	5%	RMC1/16 102JATP	J24185102		1-	B	
R 7253	CHIP RES.	820	1/16W	5%	RMC1/16 821JATP	J24185821		1-	B	
R 7254	CHIP RES.	1k	1/16W	5%	RMC1/16 102JATP	J24185102		1-	B	
R 7255	CHIP RES.	820	1/16W	5%	RMC1/16 821JATP	J24185821		1-	B	
R 7256	CHIP RES.	1k	1/16W	5%	RMC1/16 102JATP	J24185102		1-	B	
R 7257	CHIP RES.	820	1/16W	5%	RMC1/16 821JATP	J24185821		1-	B	
R 7258	CHIP RES.	2.2k	1/16W	5%	RMC1/16 222JATP	J24185222		1-	B	
R 7259	CHIP RES.	2.2k	1/16W	5%	RMC1/16 222JATP	J24185222		1-	B	
R 7260	CHIP RES.	2.2k	1/16W	5%	RMC1/16 222JATP	J24185222		1-	B	

SW-A Unit

Parts List

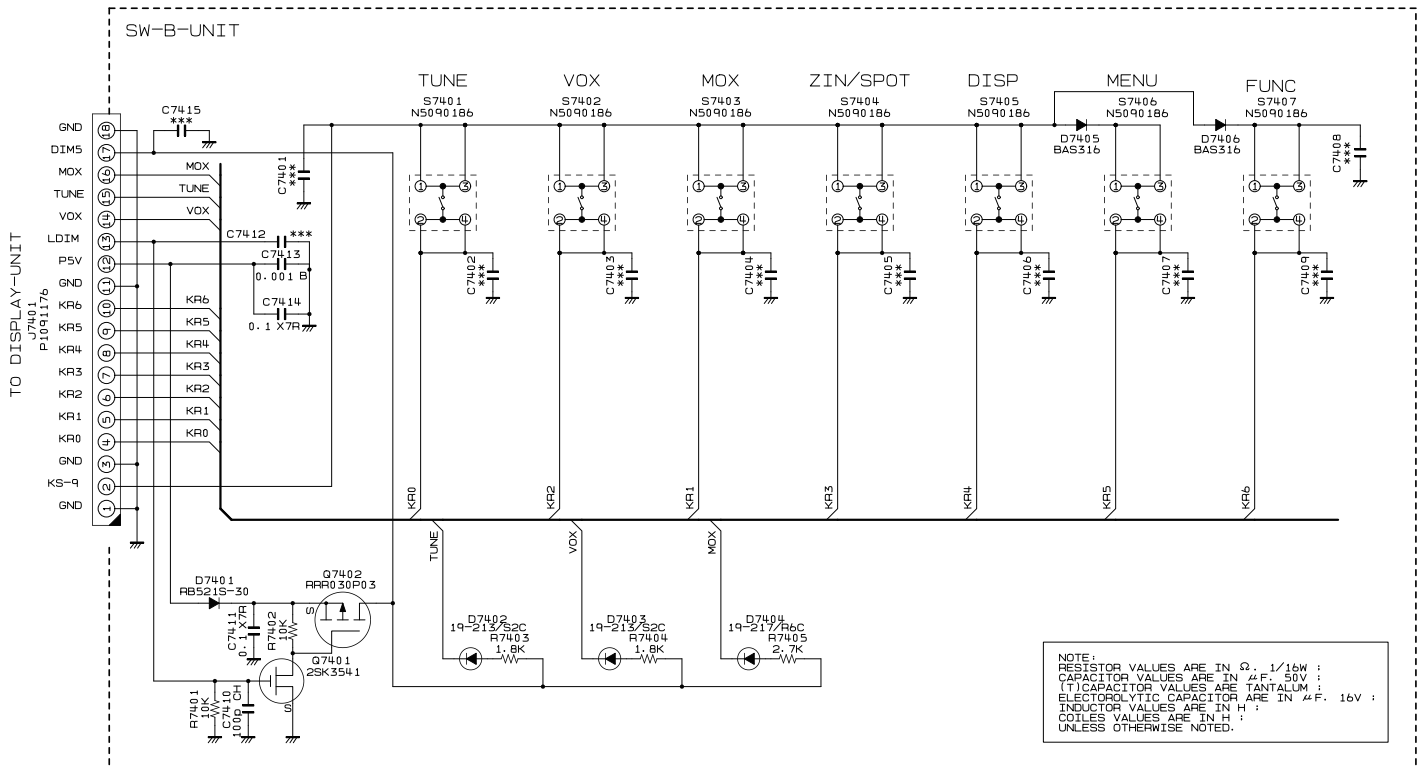
REF	DESCRIPTION	VALUE	V/W	TOL.	MFR'S DESIG	YAESU P/N	VERS.	LOT	SIDE	LAY ADR
R 7261	CHIP RES.	1k	1/16W	5%	RMC1/16 102JATP	J24185102		1-	B	
R 7262	CHIP RES.	470	1/16W	5%	RMC1/16 471JATP	J24185471		1-	B	
R 7263	CHIP RES.	330	1/16W	5%	RMC1/16 331JATP	J24185331		1-	B	
R 7264	CHIP RES.	470	1/16W	5%	RMC1/16 471JATP	J24185471		1-	B	
R 7265	CHIP RES.	820	1/16W	5%	RMC1/16 821JATP	J24185821		1-	B	
R 7266	CHIP RES.	330	1/16W	5%	RMC1/16 331JATP	J24185331		1-	B	
R 7267	CHIP RES.	1k	1/16W	5%	RMC1/16 102JATP	J24185102		1-	B	
R 7268	CHIP RES.	820	1/16W	5%	RMC1/16 821JATP	J24185821		1-	B	
R 7269	CHIP RES.	820	1/16W	5%	RMC1/16 821JATP	J24185821		1-	B	
R 7270	CHIP RES.	2.2k	1/16W	5%	RMC1/16 222JATP	J24185222		1-	B	
R 7271	CHIP RES.	470	1/16W	5%	RMC1/16 471JATP	J24185471		1-	B	
R 7272	CHIP RES.	470	1/16W	5%	RMC1/16 471JATP	J24185471		1-	B	
R 7273	CHIP RES.	470	1/16W	5%	RMC1/16 471JATP	J24185471		1-	B	
R 7274	CHIP RES.	470	1/16W	5%	RMC1/16 471JATP	J24185471		1-	B	
R 7275	CHIP RES.	100k	1/16W	5%	RMC1/16S 104JTH	J24189049		1-	B	
R 7276	CHIP RES.	1k	1/16W	5%	RMC1/16S 102JTH	J24189025		1-	B	
R 7277	CHIP RES.	100k	1/16W	5%	RMC1/16S 104JTH	J24189049		1-	B	
R 7278	CHIP RES.	1k	1/16W	5%	RMC1/16S 102JTH	J24189025		1-	B	
R 7279	CHIP RES.	1k	1/16W	5%	RMC1/16S 102JTH	J24189025		1-	B	
R 7280	CHIP RES.	22k	1/16W	5%	RMC1/16S 223JTH	J24189041		1-	B	
R 7281	CHIP RES.	100k	1/16W	5%	RMC1/16S 104JTH	J24189049		1-	B	
R 7282	CHIP RES.	1k	1/16W	5%	RMC1/16S 102JTH	J24189025		1-	B	
R 7283	CHIP RES.	1k	1/16W	5%	RMC1/16S 102JTH	J24189025		1-	B	
R 7284	CHIP RES.	1k	1/16W	5%	RMC1/16S 102JTH	J24189025		1-	B	
R 7285	CHIP RES.	470	1/16W	5%	RMC1/16 471JATP	J24185471		1-	B	
R 7286	CHIP RES.	470	1/16W	5%	RMC1/16 471JATP	J24185471		1-	B	
R 7287	CHIP RES.	470	1/16W	5%	RMC1/16 471JATP	J24185471		1-	B	
R 7288	CHIP RES.	470	1/16W	5%	RMC1/16 471JATP	J24185471		1-	B	
R 7289	CHIP RES.	1k	1/16W	5%	RMC1/16S 102JTH	J24189025		1-	B	
R 7290	CHIP RES.	1k	1/16W	5%	RMC1/16S 102JTH	J24189025		1-	B	
R 7291	CHIP RES.	1k	1/16W	5%	RMC1/16S 102JTH	J24189025		1-	B	
R 7292	CHIP RES.	470	1/16W	5%	RMC1/16 471JATP	J24185471		1-	B	
R 7293	CHIP RES.	470	1/16W	5%	RMC1/16 471JATP	J24185471		1-	B	
R 7294	CHIP RES.	470	1/16W	5%	RMC1/16 471JATP	J24185471		1-	B	
R 7295	CHIP RES.	470	1/16W	5%	RMC1/16 471JATP	J24185471		1-	B	
R 7296	CHIP RES.	470	1/16W	5%	RMC1/16 471JATP	J24185471		1-	B	
R 7297	CHIP RES.	470	1/16W	5%	RMC1/16 471JATP	J24185471		1-	B	
R 7298	CHIP RES.	470	1/16W	5%	RMC1/16 471JATP	J24185471		1-	B	
R 7299	CHIP RES.	470	1/16W	5%	RMC1/16 471JATP	J24185471		1-	B	
R 7300	CHIP RES.	3.3k	1/16W	5%	RMC1/16S 332JTH	J24189031		1-	B	
R 7301	CHIP RES.	3.3k	1/16W	5%	RMC1/16S 332JTH	J24189031		1-	B	
R 7302	CHIP RES.	3.3k	1/16W	5%	RMC1/16S 332JTH	J24189031		1-	B	
R 7303	CHIP RES.	3.3k	1/16W	5%	RMC1/16S 332JTH	J24189031		1-	B	
R 7304	CHIP RES.	47k	1/16W	5%	RMC1/16S 473JTH	J24189045		1-	B	
R 7305	CHIP RES.	47k	1/16W	5%	RMC1/16S 473JTH	J24189045		1-	B	
R 7306	CHIP RES.	47k	1/16W	5%	RMC1/16S 473JTH	J24189045		1-	B	
R 7307	CHIP RES.	47k	1/16W	5%	RMC1/16S 473JTH	J24189045		1-	B	
R 7308	CHIP RES.	10k	1/16W	5%	RMC1/16S 103JTH	J24189037		1-	B	
R 7309	CHIP RES.	10k	1/16W	5%	RMC1/16S 103JTH	J24189037		1-	B	
R 7310	CHIP RES.	680	1/16W	5%	RMC1/16 681JATP	J24185681		1-	B	
R 7311	CHIP RES.	560	1/16W	5%	RMC1/16 561JATP	J24185561		1-	B	
R 7312	CHIP RES.	1.8k	1/16W	5%	RMC1/16 182JATP	J24185182		1-	B	
R 7313	CHIP RES.	330	1/16W	5%	RMC1/16 331JATP	J24185331		1-	B	
R 7314	CHIP RES.	470	1/16W	5%	RMC1/16 471JATP	J24185471		1-	B	
R 7315	CHIP RES.	470	1/16W	5%	RMC1/16 471JATP	J24185471		1-	B	
R 7316	CHIP RES.	100k	1/16W	5%	RMC1/16S 104JTH	J24189049		1-	B	
R 7317	CHIP RES.	1k	1/16W	5%	RMC1/16S 102JTH	J24189025		1-	B	
R 7318	CHIP RES.	1k	1/16W	5%	RMC1/16S 102JTH	J24189025		1-	B	
R 7319	CHIP RES.	1k	1/16W	5%	RMC1/16S 102JTH	J24189025		1-	B	
R 7323	CHIP RES.	1k	1/16W	5%	RMC1/16 102JATP	J24185102		1-	B	
R 7324	CHIP RES.	1k	1/16W	5%	RMC1/16 102JATP	J24185102		1-	B	
R 7325	CHIP RES.	1k	1/16W	5%	RMC1/16 102JATP	J24185102		1-	B	
R 7326	CHIP RES.	1k	1/16W	5%	RMC1/16 102JATP	J24185102		1-	B	
R 7327	CHIP RES.	1k	1/16W	5%	RMC1/16 102JATP	J24185102		1-	B	
R 7328	CHIP RES.	1k	1/16W	5%	RMC1/16 102JATP	J24185102		1-	B	
R 7329	CHIP RES.	1k	1/16W	5%	RMC1/16 102JATP	J24185102		1-	B	
R 7330	CHIP RES.	1k	1/16W	5%	RMC1/16 102JATP	J24185102		1-	B	
R 7331	CHIP RES.	1k	1/16W	5%	RMC1/16 102JATP	J24185102		1-	B	
R 7332	CHIP RES.	1k	1/16W	5%	RMC1/16 102JATP	J24185102		1-	B	
R 7333	CHIP RES.	1k	1/16W	5%	RMC1/16 102JATP	J24185102		1-	B	
R 7334	CHIP RES.	1k	1/16W	5%	RMC1/16 102JATP	J24185102		1-	B	
R 7335	CHIP RES.	1k	1/16W	5%	RMC1/16 102JATP	J24185102		1-	B	
R 7336	CHIP RES.	1k	1/16W	5%	RMC1/16 102JATP	J24185102		1-	B	
R 7337	CHIP RES.	1k	1/16W	5%	RMC1/16 102JATP	J24185102		1-	B	
R 7338	CHIP RES.	1k	1/16W	5%	RMC1/16 102JATP	J24185102		1-	B	

SW-A Unit

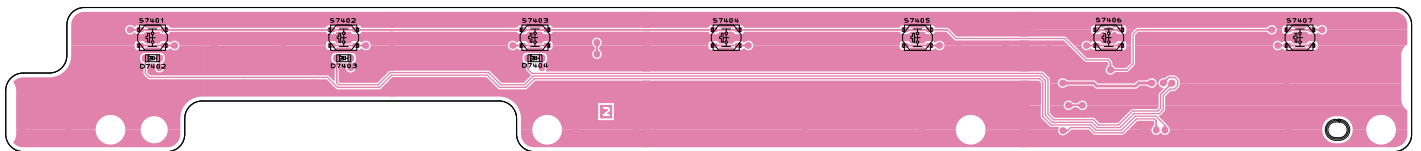
Parts List

REF	DESCRIPTION	VALUE	V/W	TOL.	MFR'S DESIG	YAESU P/N	VERS.	LOT	SIDE	LAY ADR
R 7339	CHIP RES.	1k	1/16W	5%	RMC1/16 102JATP	J24185102		1-	B	
R 7340	CHIP RES.	1k	1/16W	5%	RMC1/16 102JATP	J24185102		1-	B	
R 7341	CHIP RES.	1k	1/16W	5%	RMC1/16 102JATP	J24185102		1-	B	
R 7342	CHIP RES.	1k	1/16W	5%	RMC1/16 102JATP	J24185102		1-	B	
R 7343	CHIP RES.	1k	1/16W	5%	RMC1/16 102JATP	J24185102		1-	B	
R 7344	CHIP RES.	1k	1/16W	5%	RMC1/16 102JATP	J24185102		1-	B	
R 7345	CHIP RES.	1k	1/16W	5%	RMC1/16 102JATP	J24185102		1-	B	
R 7346	CHIP RES.	1k	1/16W	5%	RMC1/16 102JATP	J24185102		1-	B	
R 7347	CHIP RES.	100k	1/16W	5%	RMC1/16S 104JTH	J24189049		1-	B	
R 7348	CHIP RES.	1k	1/16W	5%	RMC1/16S 102JTH	J24189025		1-	B	
R 7349	CHIP RES.	1k	1/16W	5%	RMC1/16S 102JTH	J24189025		1-	B	
R 7350	CHIP RES.	1k	1/16W	5%	RMC1/16S 102JTH	J24189025		1-	B	
R 7354	CHIP RES.	0	1/16W	5%	RMC1/16S JPTH	J24189070		1-	B	
R 7355	CHIP RES.	0	1/16W	5%	RMC1/16S JPTH	J24189070		1-	B	
S 7201	TACT SWITCH				SKSMAFE010	N5090186		1-	A	
S 7202	TACTILE SWITCH				EVQLHA15	N5090174		1-	A	
S 7203	TACTILE SWITCH				EVQLHA15	N5090174		1-	A	
S 7204	TACTILE SWITCH				EVQLHA15	N5090174		1-	A	
S 7205	TACTILE SWITCH				EVQLHA15	N5090174		1-	A	
S 7206	TACTILE SWITCH				EVQLHA15	N5090174		1-	A	
S 7207	ROTARY ENCODER				EC09E1524405	Q9000909		1-	A	
S 7208	TACT SWITCH				SKSMAFE010	N5090186		1-	A	
S 7209	TACT SWITCH				SKSMAFE010	N5090186		1-	A	
S 7210	TACT SWITCH				SKSMAFE010	N5090186		1-	A	
S 7211	TACTILE SWITCH				EVQLHA15	N5090174		1-	A	
S 7212	TACT SWITCH				SKQMBBE010	N5090164		1-	A	
S 7213	TACTILE SWITCH				EVQLHA15	N5090174		1-	A	
S 7214	TACTILE SWITCH				EVQLHA15	N5090174		1-	A	
S 7215	TACTILE SWITCH				EVQLHA15	N5090174		1-	A	
S 7216	TACTILE SWITCH				EVQLHA15	N5090174		1-	A	
S 7217	TACT SWITCH				SKSMAFE010	N5090186		1-	A	
S 7218	TACT SWITCH				SKSMAFE010	N5090186		1-	A	
S 7219	TACT SWITCH				SKSMAFE010	N5090186		1-	A	
S 7220	TACT SWITCH				SKSMAFE010	N5090186		1-	A	
S 7221	TACTILE SWITCH				EVQLHA15	N5090174		1-	A	
S 7222	TACTILE SWITCH				EVQLHA15	N5090174		1-	A	
S 7223	TACT SWITCH				SKQMBBE010	N5090164		1-	A	
S 7224	TACTILE SWITCH				EVQLHA15	N5090174		1-	A	
S 7225	TACT SWITCH				SKSMAFE010	N5090186		1-	A	
S 7226	TACT SWITCH				SKSMAFE010	N5090186		1-	A	
S 7227	TACT SWITCH				SKSMAFE010	N5090186		1-	A	
S 7228	TACTILE SWITCH				EVQLHA15	N5090174		1-	A	
S 7229	TACT SWITCH				SKSMAFE010	N5090186		1-	A	
S 7230	TACT SWITCH				SKSMAFE010	N5090186		1-	A	
S 7231	TACT SWITCH				SKSMAFE010	N5090186		1-	A	
S 7232	TACT SWITCH				SKSMAFE010	N5090186		1-	A	
S 7233	TACTILE SWITCH				EVQLHA15	N5090174		1-	A	
S 7234	TACTILE SWITCH				EVQLHA15	N5090174		1-	A	
S 7235	TACTILE SWITCH				EVQLHA15	N5090174		1-	A	
S 7236	TACTILE SWITCH				EVQLHA15	N5090174		1-	A	
S 7237	TACT SWITCH				SKSMAFE010	N5090186		1-	A	
S 7238	TACT SWITCH				SKSMAFE010	N5090186		1-	A	
S 7239	TACTILE SWITCH				EVQLHA15	N5090174		1-	A	
S 7240	TACTILE SWITCH				EVQLHA15	N5090174		1-	A	
S 7241	TACTILE SWITCH				EVQLHA15	N5090174		1-	A	
S 7242	TACTILE SWITCH				EVQLHA15	N5090174		1-	A	
S 7243	TACTILE SWITCH				EVQLHA15	N5090174		1-	A	
S 7244	TACTILE SWITCH				EVQLHA15	N5090174		1-	A	
S 7245	TACTILE SWITCH				EVQLHA15	N5090174		1-	A	
S 7246	TACTILE SWITCH				EVQLHA15	N5090174		1-	A	
S 7247	TACTILE SWITCH				EVQLHA15	N5090174		1-	A	
S 7248	TACTILE SWITCH				EVQLHA15	N5090174		1-	A	
S 7249	TACTILE SWITCH				EVQLHA15	N5090174		1-	A	
S 7250	TACTILE SWITCH				EVQLHA15	N5090174		1-	A	
S 7251	TACTILE SWITCH				EVQLHA15	N5090174		1-	A	
S 7252	TACTILE SWITCH				EVQLHA15	N5090174		1-	A	
S 7253	TACTILE SWITCH				EVQLHA15	N5090174		1-	A	

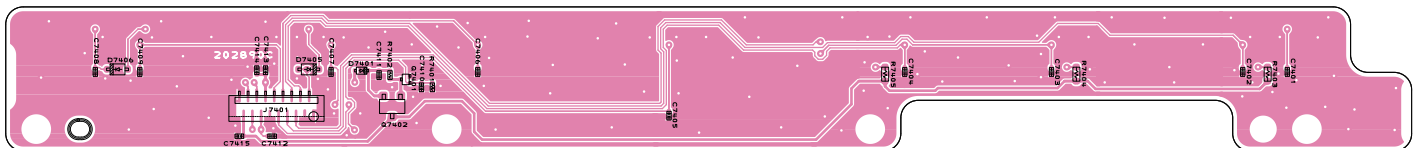
SW-B Unit Circuit Diagram



Parts Layout



side A



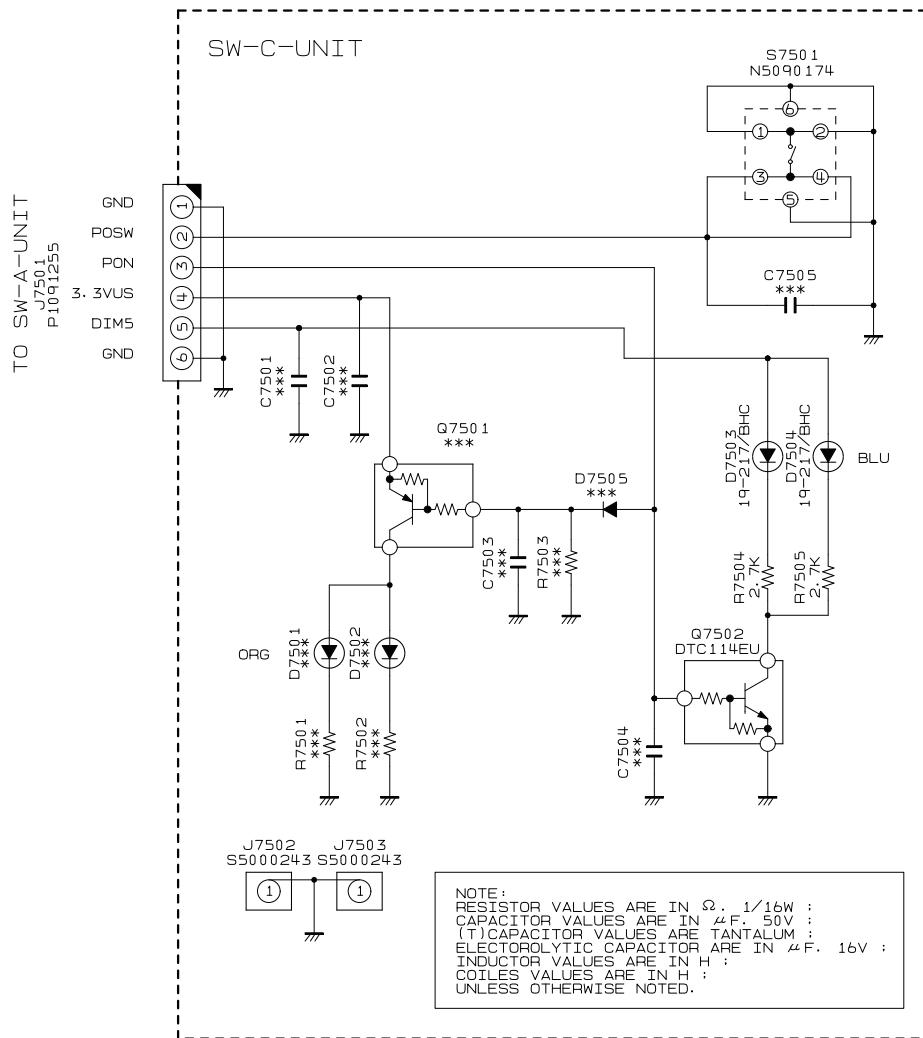
side B

SW-B Unit

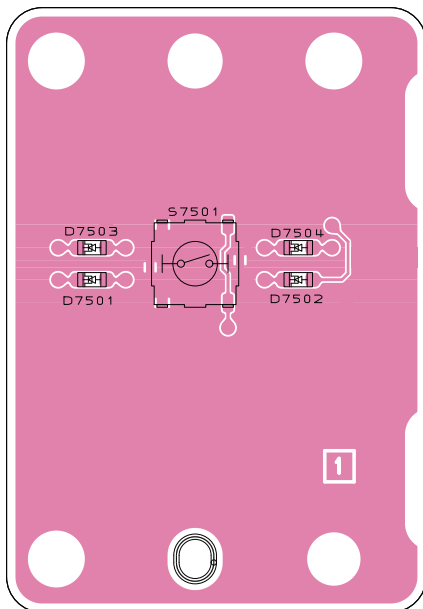
Parts List

REF	DESCRIPTION	VALUE	V/W	TOL.	MFR'S DESIG	YAESU P/N	VERS.	LOT	SIDE	LAY ADR
C 7410	CHIP CAP.	100pF	50V	CH	GRM1552C1H101JA01D	K22178236		1-	B	
C 7411	CHIP CAP.	0.1uF	50V	X7R	GRM155R71H104KE14D	K22178872		1-	B	
C 7413	CHIP CAP.	0.001uF	50V	B	GRM155B11H102KA01D	K22178809		1-	B	
C 7414	CHIP CAP.	0.1uF	50V	X7R	GRM155R71H104KE14D	K22178872		1-	B	
D 7401	DIODE				RB521S-30 TE61	G2070642		1-	B	
D 7402	LED				19-213/S2C-AP1Q2B/3T	G2071558		1-	A	
D 7403	LED				19-213/S2C-AP1Q2B/3T	G2071558		1-	A	
D 7404	LED				19-217/R6C-P1Q2/3T	G2071440		1-	A	
D 7405	DIODE				BAS316	G2070716		1-	B	
D 7406	DIODE				BAS316	G2070716		1-	B	
J 7401	CONNECTOR				18FLT-SM2-TB(LF)(SN)(M)	P1091176		1-	B	
Q 7401	FET				2SK3541 T2L	G3835417		1-	B	
Q 7402	FET				RRR030P03	G3070448		1-	B	
R 7401	CHIP RES.	10k	1/16W	5%	RMC1/16S 103JTH	J24189037		1-	B	
R 7402	CHIP RES.	10k	1/16W	5%	RMC1/16S 103JTH	J24189037		1-	B	
R 7403	CHIP RES.	1.8k	1/16W	5%	RMC1/16 182JATP	J24185182		1-	B	
R 7404	CHIP RES.	1.8k	1/16W	5%	RMC1/16 182JATP	J24185182		1-	B	
R 7405	CHIP RES.	2.7k	1/16W	5%	RMC1/16 272JATP	J24185272		1-	B	
S 7401	TACT SWITCH				SKSMAFE010	N5090186		1-	A	
S 7402	TACT SWITCH				SKSMAFE010	N5090186		1-	A	
S 7403	TACT SWITCH				SKSMAFE010	N5090186		1-	A	
S 7404	TACT SWITCH				SKSMAFE010	N5090186		1-	A	
S 7405	TACT SWITCH				SKSMAFE010	N5090186		1-	A	
S 7406	TACT SWITCH				SKSMAFE010	N5090186		1-	A	
S 7407	TACT SWITCH				SKSMAFE010	N5090186		1-	A	
	PLATE					R0154650		1-		

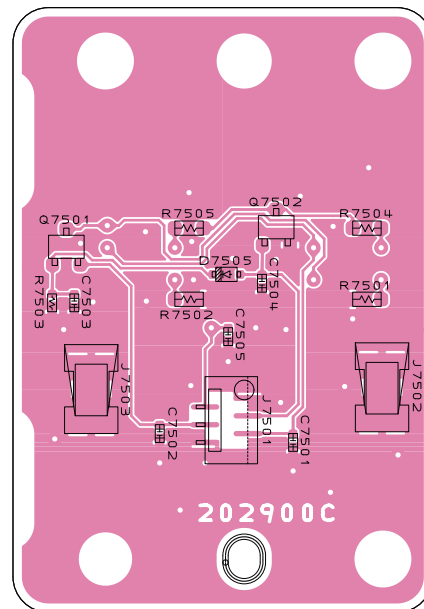
SW-C Unit Circuit Diagram



Parts Layout



side A



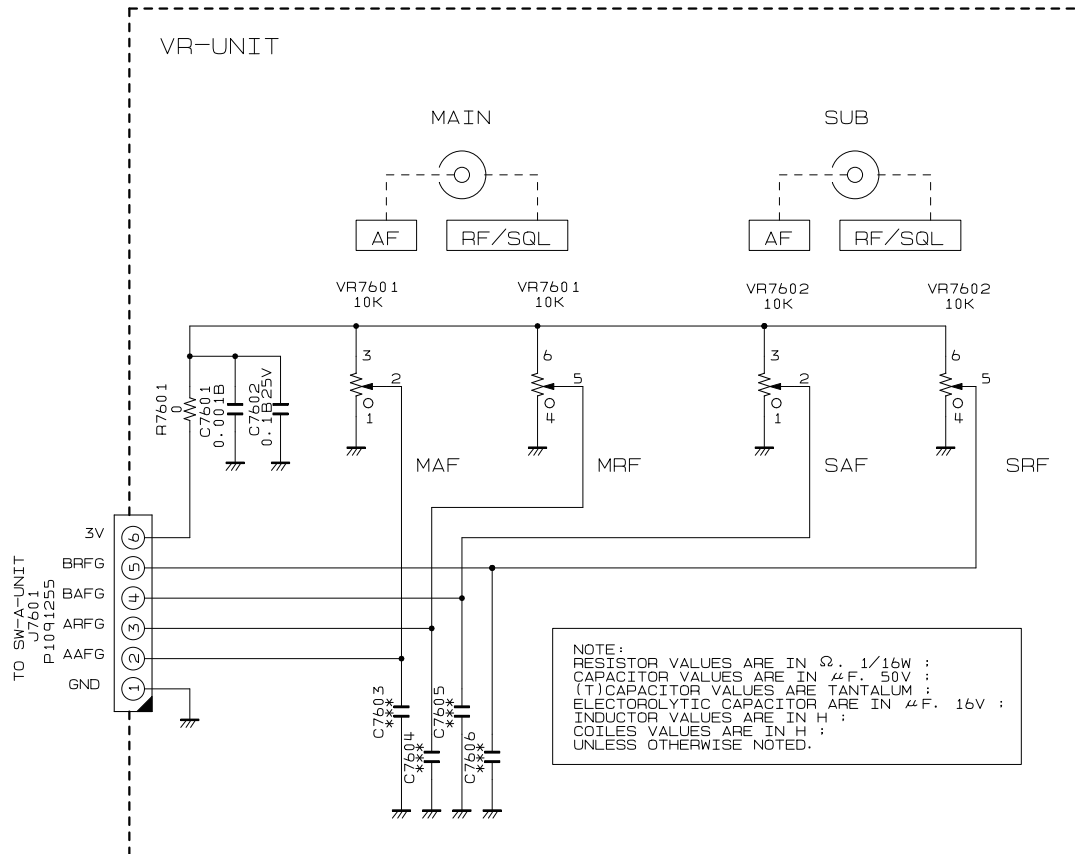
side B

SW-C Unit

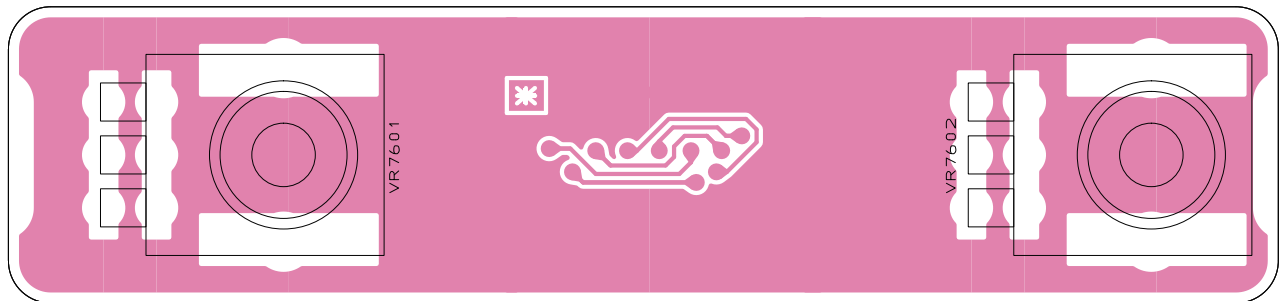
Parts List

REF	DESCRIPTION	VALUE	V/W	TOL.	MFR'S DESIG	YAESU P/N	VERS.	LOT	SIDE	LAY ADR
D 7503	***				19-217/BHC-ZL1M2RY/3T	G2071620		1-	A	
D 7504	***				19-217/BHC-ZL1M2RY/3T	G2071620		1-	A	
J 7501	CONNECTOR				06FLT-SM2-TB(LF)(SN)	P1091255		1-	B	
J 7502	CONTACT				OG-503040	S5000243		1-	B	
J 7503	CONTACT				OG-503040	S5000243		1-	B	
Q 7502	TRANSISTOR				DTC114EUA T106	G3070084		1-	B	
R 7504	CHIP RES.	2.7k	1/16W	5%	RMC1/16 272JATP	J24185272		1-	B	
R 7505	CHIP RES.	2.7k	1/16W	5%	RMC1/16 272JATP	J24185272		1-	B	
S 7501	TACTILE SWITCH				EVQPLHA15	N5090174		1-	A	

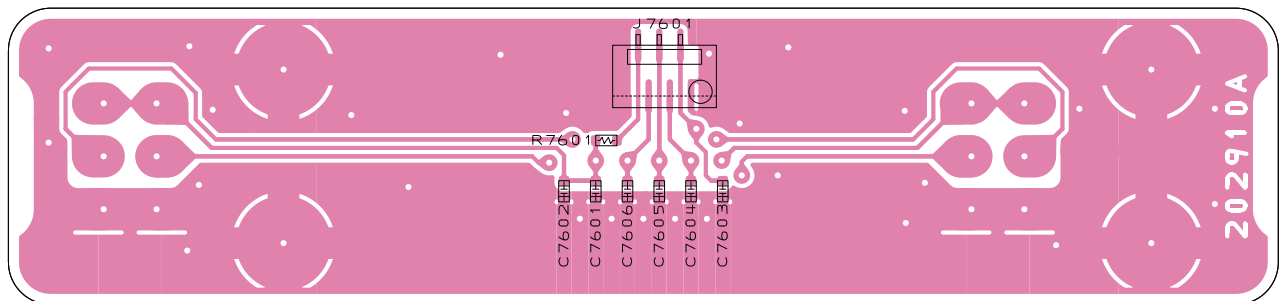
VR Unit Circuit Diagram



Parts Layout



side A



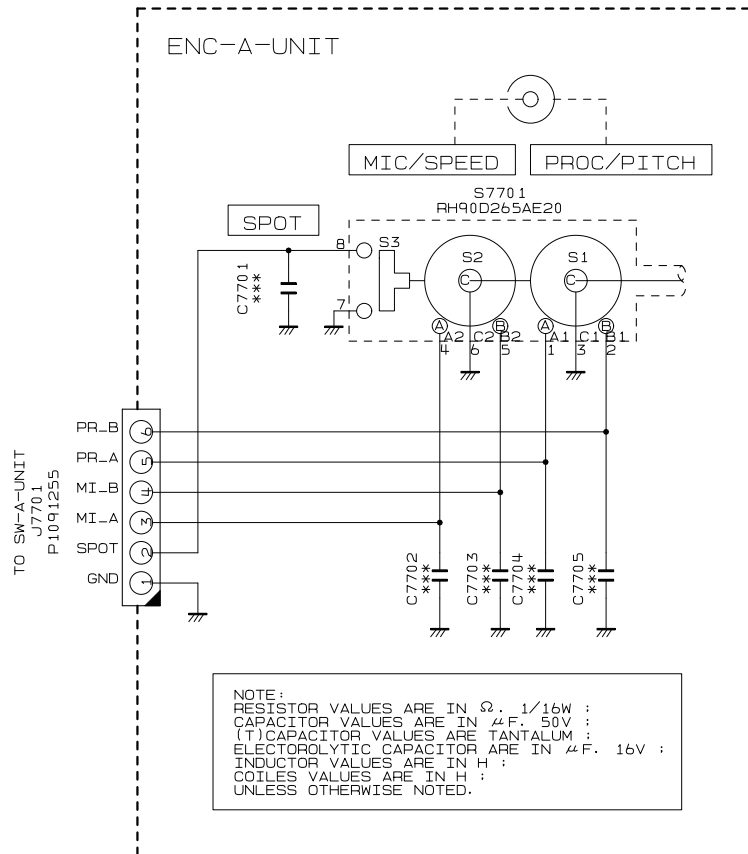
side B

VR Unit

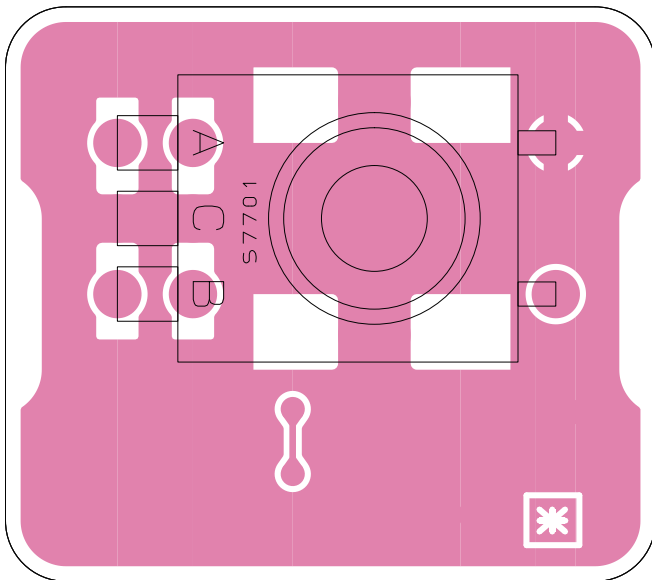
Parts List

REF	DESCRIPTION	VALUE	V/W	TOL.	MFR'S DESIG	YAESU P/N	VERS.	LOT	SIDE	LAY ADR
C 7601	CHIP CAP.	0.001uF	50V	B	GRM155B11H102KA01D	K22178809		1-	B	
C 7602	CHIP CAP.	0.1uF	50V	X7R	GRM155R71H104KE14D	K22178872		1-	B	
J 7601	CONNECTOR				06FLT-SM2-TB(LF)(SN)	P1091255		1-	B	
R 7601	CHIP RES.	0	1/16W	5%	RMC1/16S JPTH	J24189070		1-	B	
R 7602	CHIP RES.	10k	1/16W	5%	RMC1/16 103JATP	J24185103		1-		
R 7603	CHIP RES.	10k	1/16W	5%	RMC1/16 103JATP	J24185103		1-		
VR7601	POT.	10k			RH96D1144 25F RY-10302	J62800152		1-	A	
VR7602	POT.	10k			RH96D1144 25F RY-10302	J62800152		1-	A	

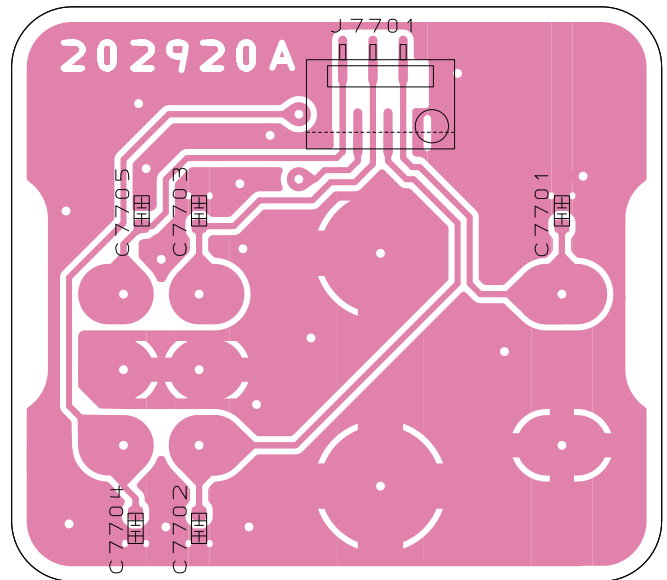
ENC-A Unit Circuit Diagram



Parts Layout



side A

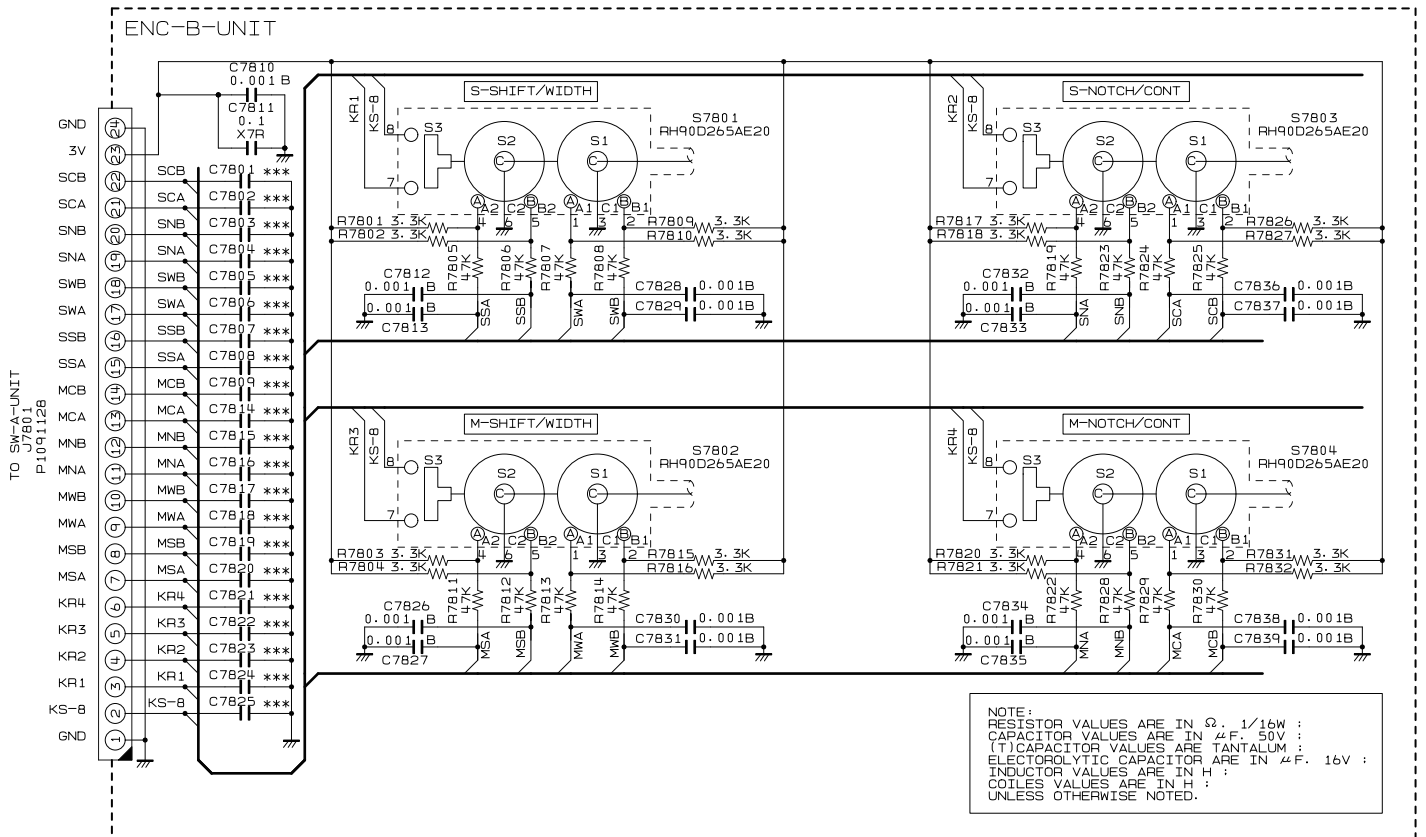


side B

Parts List

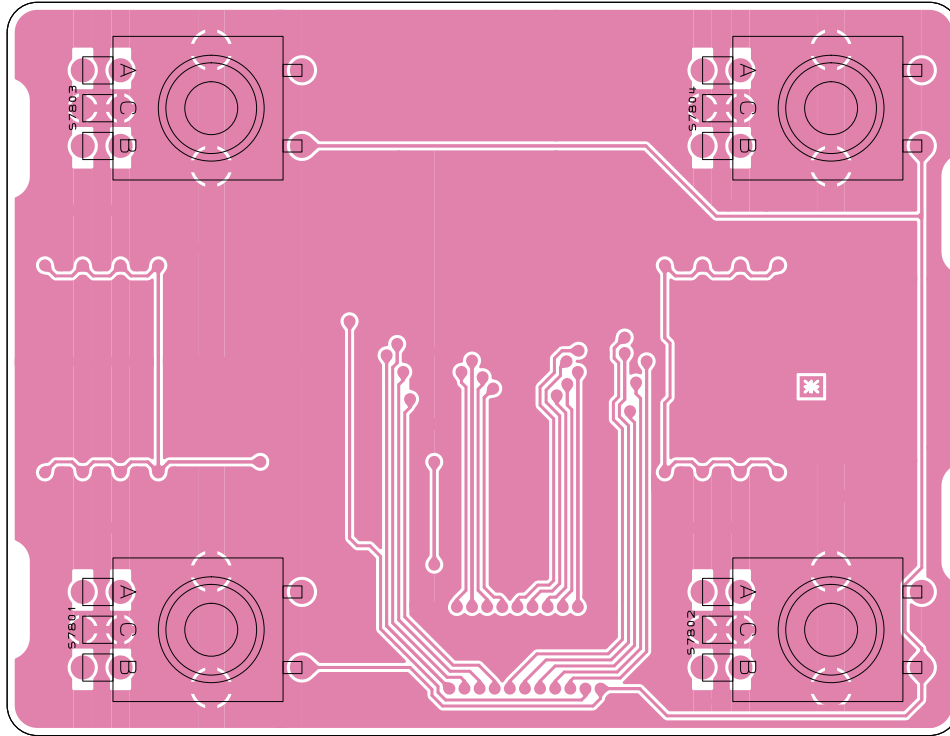
REF	DESCRIPTION	VALUE	V/W	TOL.	MFR'S DESIG	YAESU P/N	VERS.	LOT	SIDE	LAY ADR
J 7701	CONNECTOR				06FLT-SM2-TB(LF)(SN)	P1091255		1-	B	
S 7701	ROTARY ENCODER				RH90D265AE20-25F	Q9001052		1-	A	

ENC-B Unit Circuit Diagram

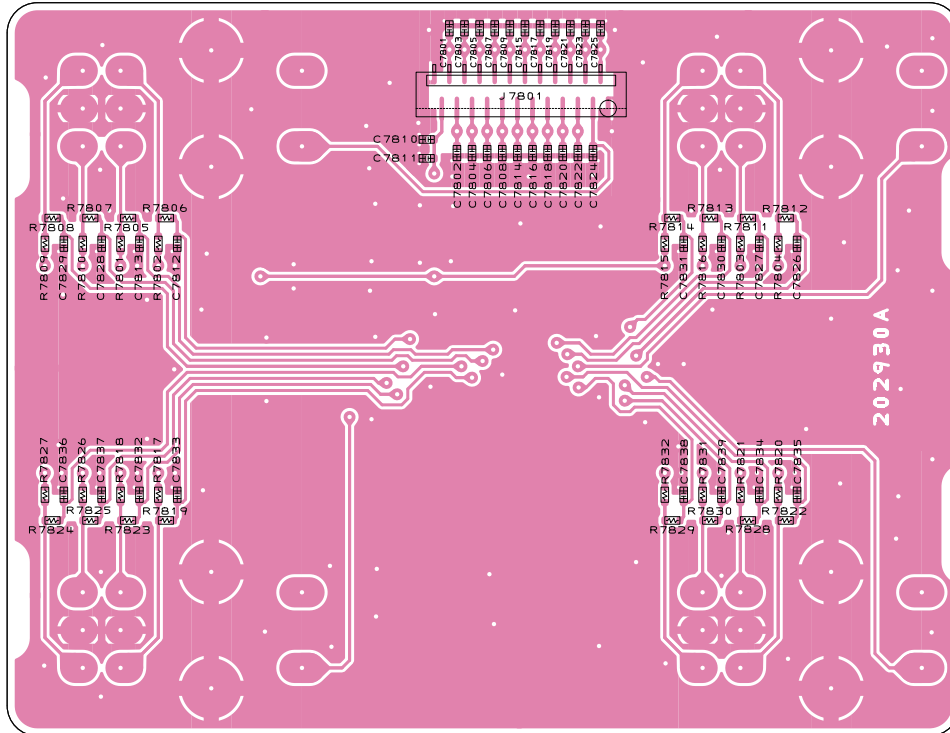


ENC-B Unit

Parts Layout



side A



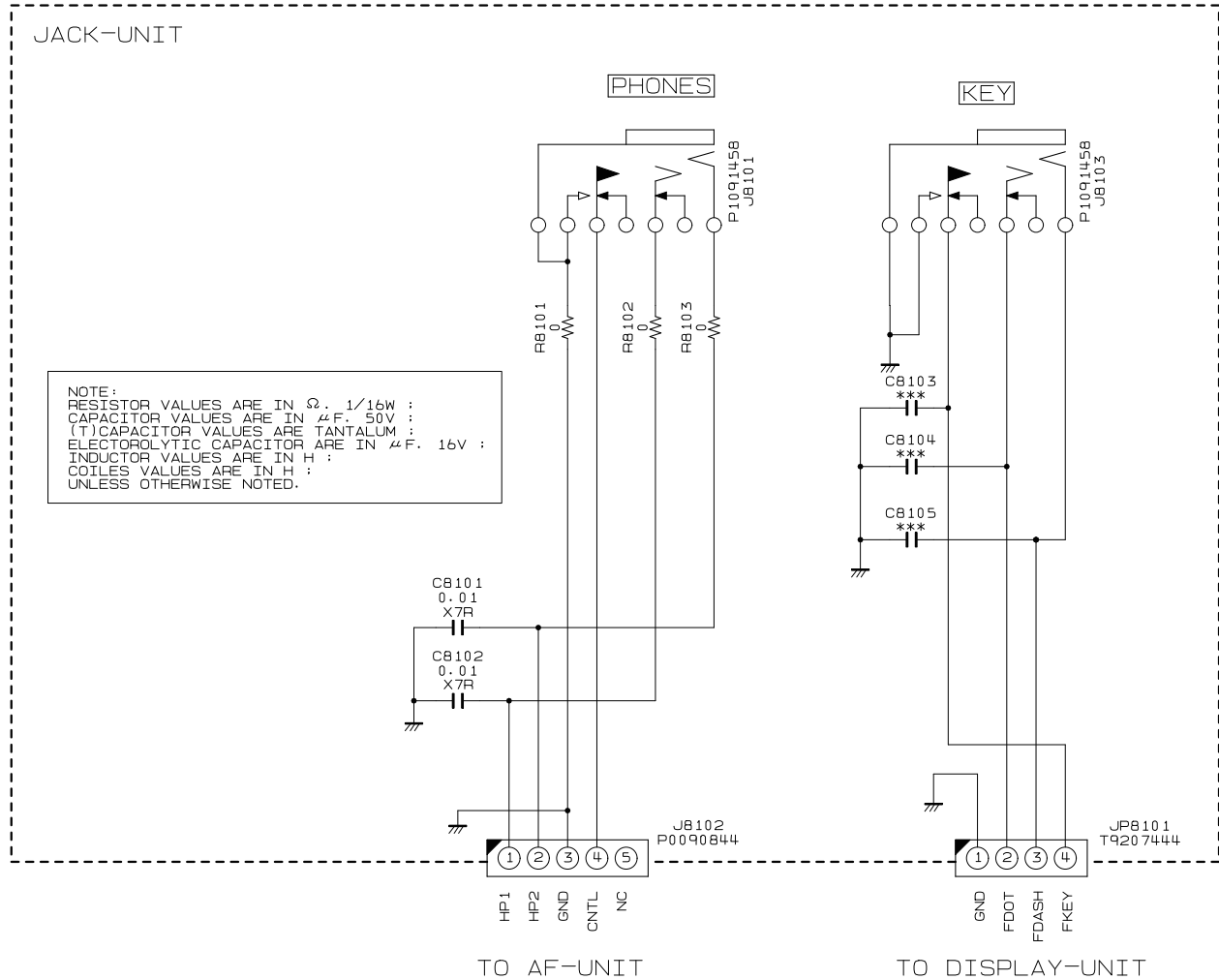
side B

ENC-B Unit Parts List

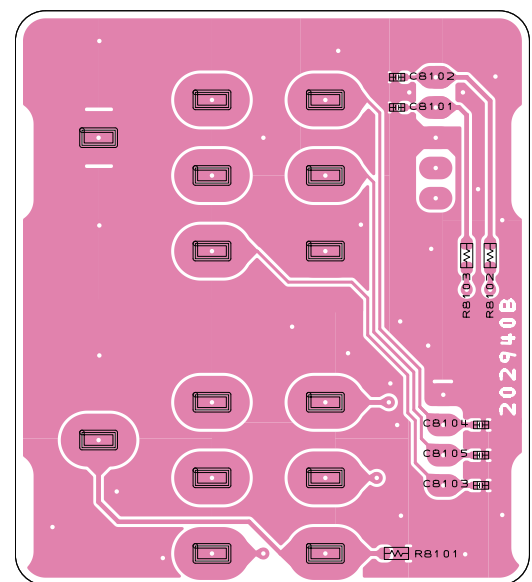
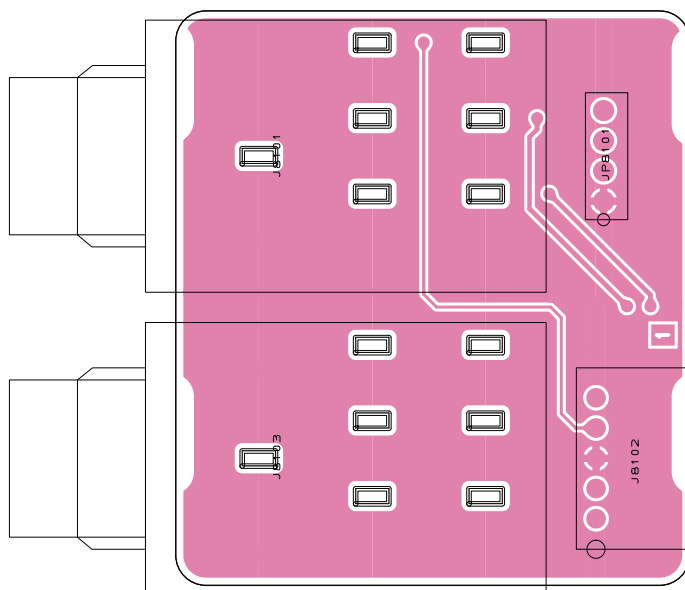
REF	DESCRIPTION	VALUE	V/W	TOL.	MFR'S DESIG	YAESU P/N	VERS.	LOT	SIDE	LAY ADR
C 7810	CHIP CAP.	0.001uF	50V	B	GRM155B11H102KA01D	K22178809		1-	B	
C 7811	CHIP CAP.	0.1uF	50V	X7R	GRM155R71H104KE14D	K22178872		1-	B	
C 7812	CHIP CAP.	0.001uF	50V	B	GRM155B11H102KA01D	K22178809		1-	B	
C 7813	CHIP CAP.	0.001uF	50V	B	GRM155B11H102KA01D	K22178809		1-	B	
C 7826	CHIP CAP.	0.001uF	50V	B	GRM155B11H102KA01D	K22178809		1-	B	
C 7827	CHIP CAP.	0.001uF	50V	B	GRM155B11H102KA01D	K22178809		1-	B	
C 7828	CHIP CAP.	0.001uF	50V	B	GRM155B11H102KA01D	K22178809		1-	B	
C 7829	CHIP CAP.	0.001uF	50V	B	GRM155B11H102KA01D	K22178809		1-	B	
C 7830	CHIP CAP.	0.001uF	50V	B	GRM155B11H102KA01D	K22178809		1-	B	
C 7831	CHIP CAP.	0.001uF	50V	B	GRM155B11H102KA01D	K22178809		1-	B	
C 7832	CHIP CAP.	0.001uF	50V	B	GRM155B11H102KA01D	K22178809		1-	B	
C 7833	CHIP CAP.	0.001uF	50V	B	GRM155B11H102KA01D	K22178809		1-	B	
C 7834	CHIP CAP.	0.001uF	50V	B	GRM155B11H102KA01D	K22178809		1-	B	
C 7835	CHIP CAP.	0.001uF	50V	B	GRM155B11H102KA01D	K22178809		1-	B	
C 7836	CHIP CAP.	0.001uF	50V	B	GRM155B11H102KA01D	K22178809		1-	B	
C 7837	CHIP CAP.	0.001uF	50V	B	GRM155B11H102KA01D	K22178809		1-	B	
C 7838	CHIP CAP.	0.001uF	50V	B	GRM155B11H102KA01D	K22178809		1-	B	
C 7839	CHIP CAP.	0.001uF	50V	B	GRM155B11H102KA01D	K22178809		1-	B	
J 7801	CONNECTOR				24FLT-SM2-TB(LF)(SN)(M)	P1091128		1-	B	
R 7801	CHIP RES.	3.3k	1/16W	5%	RMC1/16S 332JTH	J24189031		1-	B	
R 7802	CHIP RES.	3.3k	1/16W	5%	RMC1/16S 332JTH	J24189031		1-	B	
R 7803	CHIP RES.	3.3k	1/16W	5%	RMC1/16S 332JTH	J24189031		1-	B	
R 7804	CHIP RES.	3.3k	1/16W	5%	RMC1/16S 332JTH	J24189031		1-	B	
R 7805	CHIP RES.	47k	1/16W	5%	RMC1/16S 473JTH	J24189045		1-	B	
R 7806	CHIP RES.	47k	1/16W	5%	RMC1/16S 473JTH	J24189045		1-	B	
R 7807	CHIP RES.	47k	1/16W	5%	RMC1/16S 473JTH	J24189045		1-	B	
R 7808	CHIP RES.	47k	1/16W	5%	RMC1/16S 473JTH	J24189045		1-	B	
R 7809	CHIP RES.	3.3k	1/16W	5%	RMC1/16S 332JTH	J24189031		1-	B	
R 7810	CHIP RES.	3.3k	1/16W	5%	RMC1/16S 332JTH	J24189031		1-	B	
R 7811	CHIP RES.	47k	1/16W	5%	RMC1/16S 473JTH	J24189045		1-	B	
R 7812	CHIP RES.	47k	1/16W	5%	RMC1/16S 473JTH	J24189045		1-	B	
R 7813	CHIP RES.	47k	1/16W	5%	RMC1/16S 473JTH	J24189045		1-	B	
R 7814	CHIP RES.	47k	1/16W	5%	RMC1/16S 473JTH	J24189045		1-	B	
R 7815	CHIP RES.	3.3k	1/16W	5%	RMC1/16S 332JTH	J24189031		1-	B	
R 7816	CHIP RES.	3.3k	1/16W	5%	RMC1/16S 332JTH	J24189031		1-	B	
R 7817	CHIP RES.	3.3k	1/16W	5%	RMC1/16S 332JTH	J24189031		1-	B	
R 7818	CHIP RES.	3.3k	1/16W	5%	RMC1/16S 332JTH	J24189031		1-	B	
R 7819	CHIP RES.	47k	1/16W	5%	RMC1/16S 473JTH	J24189045		1-	B	
R 7820	CHIP RES.	3.3k	1/16W	5%	RMC1/16S 332JTH	J24189031		1-	B	
R 7821	CHIP RES.	3.3k	1/16W	5%	RMC1/16S 332JTH	J24189031		1-	B	
R 7822	CHIP RES.	47k	1/16W	5%	RMC1/16S 473JTH	J24189045		1-	B	
R 7823	CHIP RES.	47k	1/16W	5%	RMC1/16S 473JTH	J24189045		1-	B	
R 7824	CHIP RES.	47k	1/16W	5%	RMC1/16S 473JTH	J24189045		1-	B	
R 7825	CHIP RES.	47k	1/16W	5%	RMC1/16S 473JTH	J24189045		1-	B	
R 7826	CHIP RES.	3.3k	1/16W	5%	RMC1/16S 332JTH	J24189031		1-	B	
R 7827	CHIP RES.	3.3k	1/16W	5%	RMC1/16S 332JTH	J24189031		1-	B	
R 7828	CHIP RES.	47k	1/16W	5%	RMC1/16S 473JTH	J24189045		1-	B	
R 7829	CHIP RES.	47k	1/16W	5%	RMC1/16S 473JTH	J24189045		1-	B	
R 7830	CHIP RES.	47k	1/16W	5%	RMC1/16S 473JTH	J24189045		1-	B	
R 7831	CHIP RES.	3.3k	1/16W	5%	RMC1/16S 332JTH	J24189031		1-	B	
R 7832	CHIP RES.	3.3k	1/16W	5%	RMC1/16S 332JTH	J24189031		1-	B	
S 7801	ROTARY ENCODER				RH90D265AE20-25F	Q9001052		1-	A	
S 7802	ROTARY ENCODER				RH90D265AE20-25F	Q9001052		1-	A	
S 7803	ROTARY ENCODER				RH90D265AE20-25F	Q9001052		1-	A	
S 7804	ROTARY ENCODER				RH90D265AE20-25F	Q9001052		1-	A	

JACK Unit

Circuit Diagram



Parts Layout

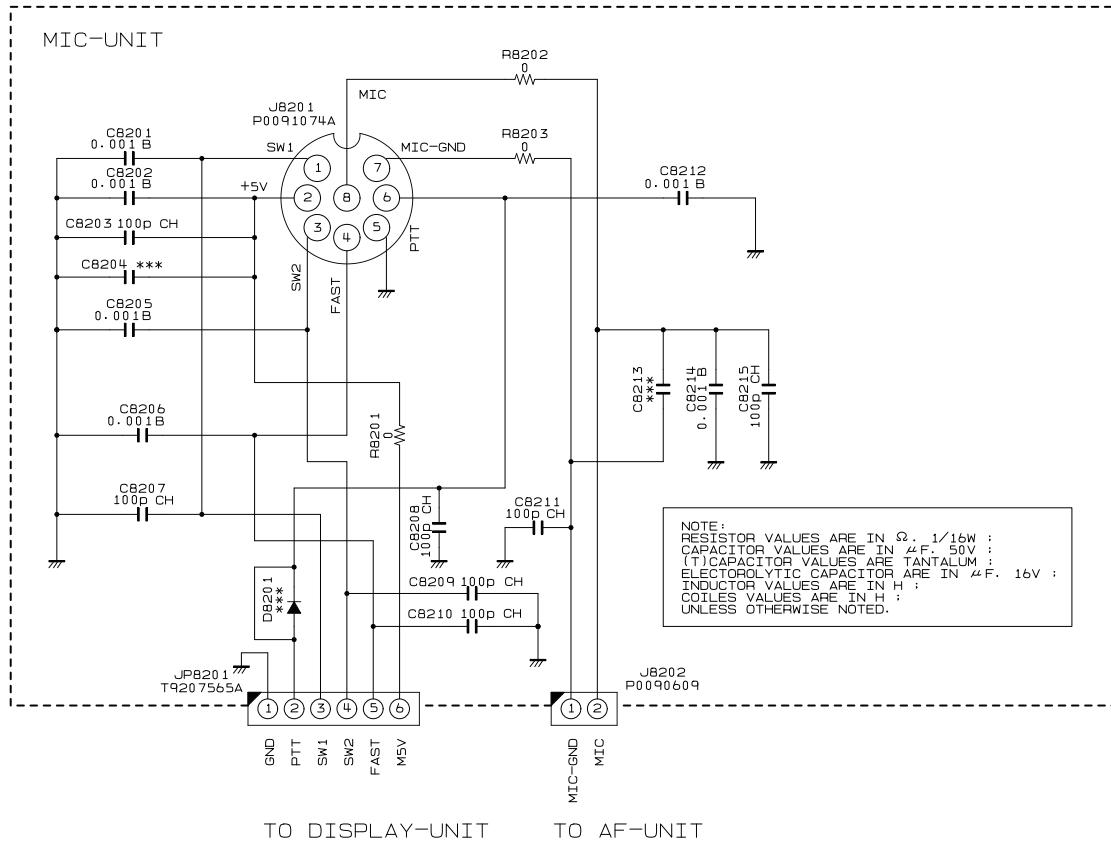


JACK Unit

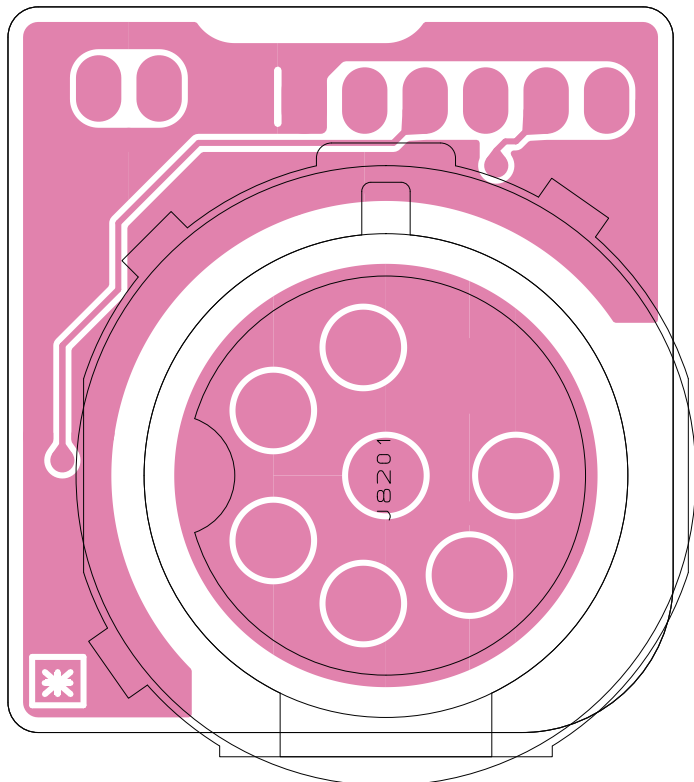
Parts List

REF	DESCRIPTION	VALUE	V/W	TOL.	MFR'S DESIG	YAESU P/N	VERS.	LOT	SIDE	LAY ADR
C 8101	CHIP CAP.	0.01uF	50V	X7R	GRM155R71H103KA88D	K22178848		1-	B	
C 8102	CHIP CAP.	0.01uF	50V	X7R	GRM155R71H103KA88D	K22178848		1-	B	
J 8101	CONNECTOR				HTJ-064-05G	P1091458		1-	A	
J 8102	CONNECTOR				SB20-05WL	P0090844		1-	A	
J 8103	CONNECTOR				HTJ-064-05G	P1091458		1-	A	
JP8101	WIRE ASSY				AH031H 60MM4P	T9207444		1-	A	
R 8101	CHIP RES.	0	1/16W	5%	RMC1/16 000JATP	J24185000		1-	B	
R 8102	CHIP RES.	0	1/16W	5%	RMC1/16 000JATP	J24185000		1-	B	
R 8103	CHIP RES.	0	1/16W	5%	RMC1/16 000JATP	J24185000		1-	B	
	FITTING				MET41-0191	S5000329		1-		
	GROUND PLATE				(JACK)	RA1173300		1-		

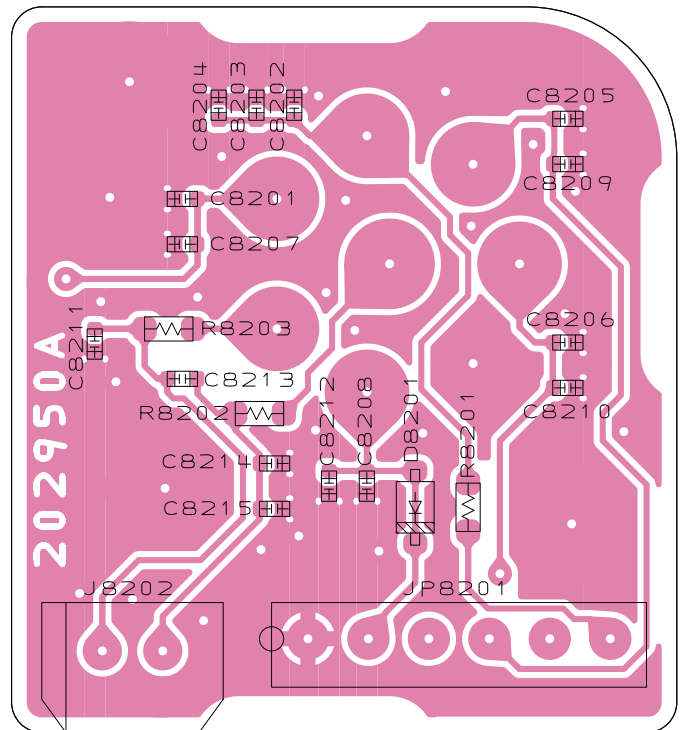
MIC Unit Circuit Diagram



Parts Layout



side A



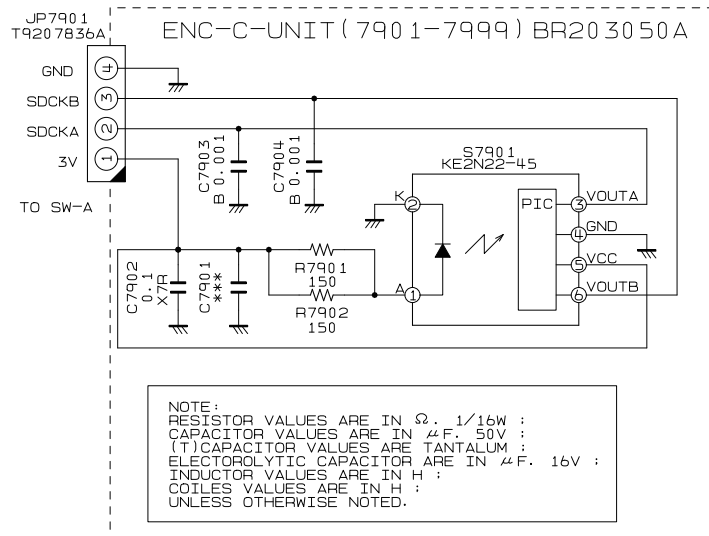
side B

MIC Unit

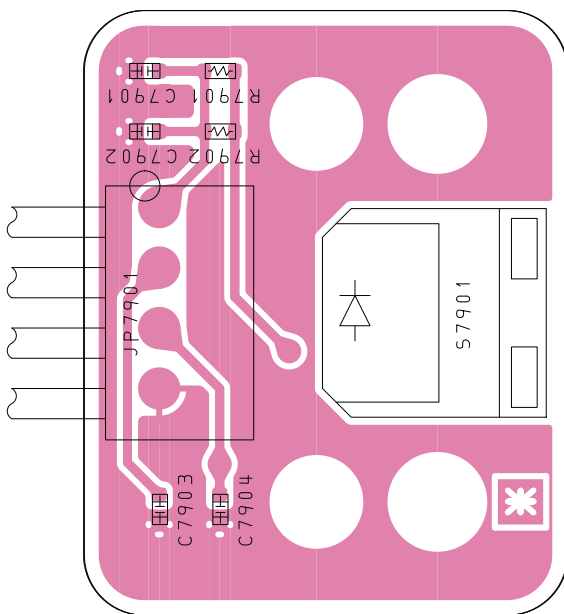
Parts List

REF	DESCRIPTION	VALUE	V/W	TOL.	MFR'S DESIG	YAESU P/N	VERS.	LOT	SIDE	LAY ADR
C 8201	CHIP CAP.	0.001uF	50V	B	GRM155B11H102KA01D	K22178809		1-	B	
C 8202	CHIP CAP.	0.001uF	50V	B	GRM155B11H102KA01D	K22178809		1-	B	
C 8203	CHIP CAP.	100pF	50V	CH	GRM1552C1H101JA01D	K22178236		1-	B	
C 8205	CHIP CAP.	0.001uF	50V	B	GRM155B11H102KA01D	K22178809		1-	B	
C 8206	CHIP CAP.	0.001uF	50V	B	GRM155B11H102KA01D	K22178809		1-	B	
C 8207	CHIP CAP.	100pF	50V	CH	GRM1552C1H101JA01D	K22178236		1-	B	
C 8208	CHIP CAP.	100pF	50V	CH	GRM1552C1H101JA01D	K22178236		1-	B	
C 8209	CHIP CAP.	100pF	50V	CH	GRM1552C1H101JA01D	K22178236		1-	B	
C 8210	CHIP CAP.	100pF	50V	CH	GRM1552C1H101JA01D	K22178236		1-	B	
C 8211	CHIP CAP.	100pF	50V	CH	GRM1552C1H101JA01D	K22178236		1-	B	
C 8212	CHIP CAP.	0.001uF	50V	B	GRM155B11H102KA01D	K22178809		1-	B	
C 8214	CHIP CAP.	0.001uF	50V	B	GRM155B11H102KA01D	K22178809		1-	B	
C 8215	CHIP CAP.	100pF	50V	CH	GRM1552C1H101JA01D	K22178236		1-	B	
J 8201	CONNECTOR				FM214-8SMPT-NI	P0091074A		1-	A	
J 8202	CONNECTOR				SB20-02WS	P0090609		1-	B	
JP8201	WIRE ASSY				AH046H 130MM6P	T9207565A		1-	B	
R 8201	CHIP RES.	0	1/16W	5%	RMC1/16 000JATP	J24185000		1-	B	
R 8202	CHIP RES.	0	1/16W	5%	RMC1/16 000JATP	J24185000		1-	B	
R 8203	CHIP RES.	0	1/16W	5%	RMC1/16 000JATP	J24185000		1-	B	
	GROUND PLATE				(MIC)	RA1173200		1-		

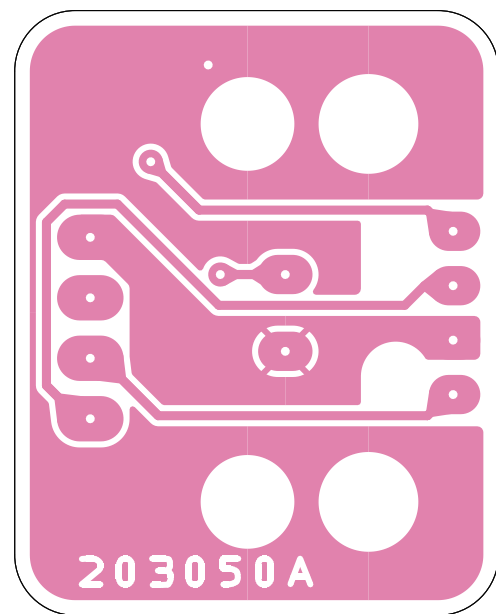
ENC-C Unit Circuit Diagram



Parts Layout



side A



side B

Parts List

REF	DESCRIPTION	VALUE	V/W	TOL.	MFR'S DESIG	YAESU P/N	VERS.	LOT	SIDE	LAY ADR
C 7902	CHIP CAP.	0.1uF	50V	X7R	GRM155R71H104KE14D	K22178872		1-	A	
C 7903	CHIP CAP.	0.001uF	50V	B	GRM155B11H102KA01D	K22178809		1-	A	
C 7904	CHIP CAP.	0.001uF	50V	B	GRM155B11H102KA01D	K22178809		1-	A	
JP7901	WIRE ASSY				AH068H-67MM4P	T9207836A		1-	A	
R 7901	CHIP RES.	150	1/16W	5%	RMC1/16S 151JTH	J24189015		1-	A	
R 7902	CHIP RES.	150	1/16W	5%	RMC1/16S 151JTH	J24189015		1-	A	
S 7901	ROTARY ENCODER				KE2N22-45	Q9001054		1-	A	



Copyright 2020
YAESU MUSEN CO., LTD.
All rights reserved.

No portion of this manual may be
reproduced without the permission of
YAESU MUSEN CO., LTD.

YAESU MUSEN CO., LTD.

Tennozu Parkside Building
2-5-8 Higashi-Shinagawa, Shinagawa-ku, Tokyo 140-0002 Japan

YAESU USA

6125 Phyllis Drive, Cypress, CA 90630, U.S.A.

YAESU UK

Unit 12, Sun Valley Business Park, Winnall Close
Winchester, Hampshire, SO23 0LB, U.K.