

YAESU
The radio

FTDX10

CAT Operation Reference Manual

YAESU MUSEN CO., LTD.

CAT (Computer Aided Transceiver) Operation

Overview

The CAT (Computer Aided Transceiver) System in the **FTDX10** transceiver provides control of frequency, VFO, memory, and other settings such as dual-channel memories and diversity reception using an external personal computer. This allows multiple control operations to be fully automated with single mouse clicks, or keystroke operations on the computer keyboard.

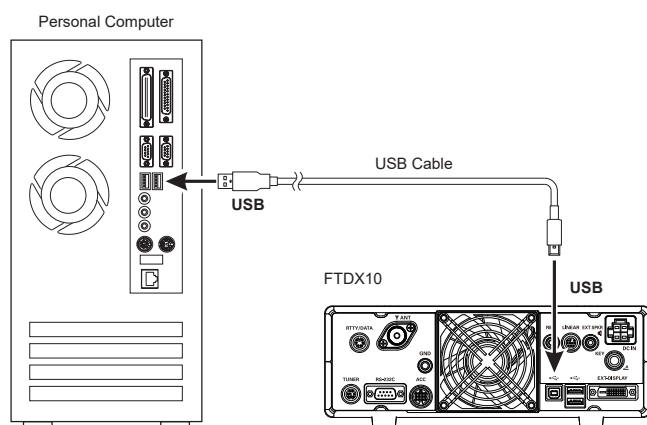
Using the USB Cable

The **FTDX10** transceiver has a built-in USB to Dual UART Bridge, allowing direct connection from the rear-panel USB jack to the USB jack of a computer without the need for an interface device, simply use a USB cable to connect to the USB jack on the computer.



To connect to a PC using a USB cable, a Virtual COM port driver must be installed on the PC. Visit the Yaesu website <http://www.yaesu.com/> to download the Virtual COM port driver and Installation Manual.

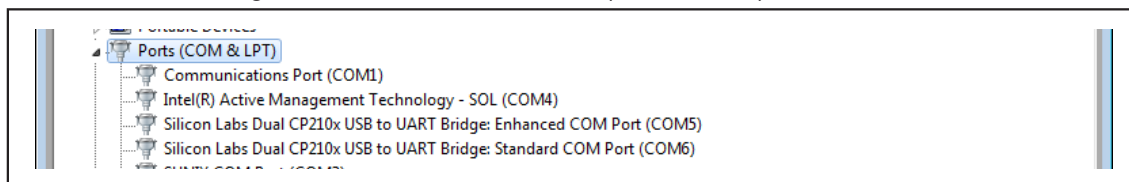
YAESU MUSEN does not produce CAT System operating software due to the wide variety of personal computers and operating systems in use today. However, the information provided in this chapter explains the serial data structure and opcodes used by the CAT system. This information, along with the short programming examples, is intended to help you start writing programs on your own. As you become more familiar with CAT operation, you can customize programs for your operating needs and utilize the full operating potential of this system.



How to Confirm the Installation, and the COM Port Number

After the FTDX10 and computer are connected, confirm that the virtual COM driver has been installed successfully:

1. Press and hold the ON/OFF switch to turn the transceiver ON.
2. Connect the transceiver and PC with a commercially available USB cable (A-B).
3. Open the “Device Manager” screen in Windows.
4. On the Device Manager screen, double-click “Port (COM & LPT)”.



“Silicon Labs Dual CP210x USB to UART Bridge : Enhanced COM Port (COM**)”

“Silicon Labs Dual CP210x USB to UART Bridge : Standard COM Port (COM**)”

*(The number in the “(COM**)” portion may vary from computer to computer.)

The FTDX10 contains two virtual COM ports, an Enhanced COM Port and a Standard COM Port.

These ports offer the following functions:

- **Enhanced COM Port:** CAT Communications (Frequency and Communication Mode Settings)
- **Standard COM Port:** TX Controls (PTT control, CW Keying, Digital Mode Operation)

The above example indicates that COM5 can be used for CAT communications and firmware updating, while COM6 can be used for TX control (PTT, CW Keying, Digital Mode Operation).

CAT (Computer Aided Transceiver) Operation

When performing software port configuration, select the COM port numbers that were confirmed using the procedure above, use the two confirmed COM port numbers for each software function. The frequency and communication mode and PTT control can be set from the software, and CW keying, digital communication, etc. can be performed simultaneously.

When performing software port configuration, select the COM port numbers that were confirmed using the procedure above.



-
- If a “!” or “X” is displayed for the port on the Device Manager, uninstall and reinstall the virtual COM driver.
 - If a transceiver with a different serial number is connected and turned on, different COM port numbers will be assigned to it, making it possible to perform individual COM port configurations for separate transceivers.
 - When using the USB cable for TX control, the transceiver may switch to the transmit mode when the computer is started.
 - Always close the application on the computer before disconnecting the USB cable.
-

CAT (Computer Aided Transceiver) Operation

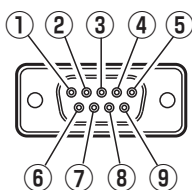
Using the RS-232C Cable



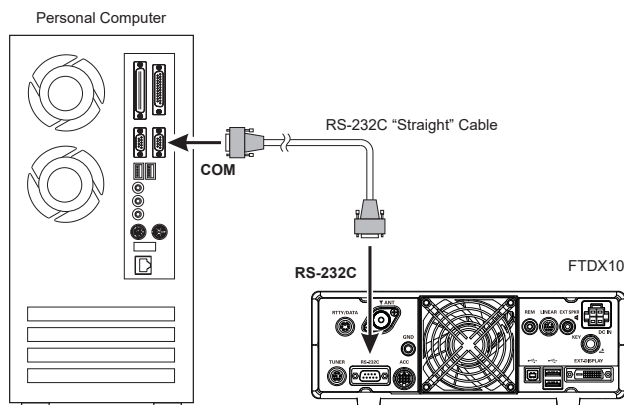
When using an RS-232C cable, the "PS" command (POWER SWITCH) is not available. Therefore, the transceiver cannot be turned ON with the CAT command.

The **FTDX10** transceiver has a built-in level converter, allowing direct connection from the rear-panel RS-232C jack to the serial port of your computer without the need of any external boxes.

You will need a serial cable for connection to the RS-232C (serial or COM port) connector on your computer. Purchase a **standard serial cable** (not the so-called "null modem" type), ensuring it has the correct gender and number of pins (some serial COM port connectors use a 9-pin rather than 25-pin configuration). If your computer uses a custom connector, you may have to construct the cable. In this case, refer to the technical documentation supplied with your computer for correct data connection.



Pin No.	Pin Name	I/O	Function
①	N/A	---	---
②	SERIAL OUT	Output	Outputs the Serial Data from the transceiver to the computer.
③	SERIAL IN	Input	Inputs the Serial Data from the computer to the transceiver.
④	N/A	---	---
⑤	GND	---	Signal Ground
⑥	N/A	---	---
⑦	RTS	---	---
⑧	CTS	---	---
⑨	N/A	---	---



CAT (Computer Aided Transceiver) Operation

Control Command

A computer control command is composed of an alphabetical command, various parameters, and the terminator that signals the end of the control command.

Example: Set the VFO-A frequency to 14.250000 MHz.

FA **014250000** ;
↑ ↑ ↑
Command Parameter Terminator

There are three commands for the **FTDX10** as shown below:

Set command: Set a particular condition (to the **FTDX10**)
Read command: Reads an answer (from the **FTDX10**)
Answer command: Transmits a condition (from the **FTDX10**)

For example, note the following case of the FA command (Set the VFO-A frequency):

- To set the VFO-A frequency to 14.250000 MHz, the following command is sent from the computer to the transceiver:
 "FA014250000;" (Set command)
- To read the VFO-A frequency, the following command is sent from the computer to the transceiver:
 "FA;" (Read command)
- When the Read command above has been sent, the following command is returned to the computer:
 "FA014250000;" (Answer command)

Alphabetical Commands

A command consists of 2 alphabetical characters.

You may use either lower or upper case characters. The commands available for this transceiver are listed in the "PC Control Command Tables" on the following pages.

Parameters

Parameters are used to specify information necessary to implement the desired command.

The parameters to be used for each command are predetermined. The number of digits assigned to each parameter is also predetermined. Refer to the "Control Command List" and the "Control Command Tables" to configure the appropriate parameters.

When configuring parameters, be careful not to make the following mistakes.

For example,

when the correct parameter is **"IS00+1000"** (IF SHIFT):

IS001000;
 Not enough parameters specified (No direction (+) given for the IF shift)

IS00+100;
 Not enough digits (Only three frequency digits given)

IS00_+_1000;
 Unnecessary characters between parameters

IS00+10000;
 Too many digits (Five frequency digits given)

Note: If a particular parameter is not applicable to the **FTDX10**, the parameter digits should be filled using any character except the ASCII control codes (00 to 1Fh) and the terminator (;).

Terminator

To signal the end of a command, it is necessary to use a semicolon (;). The digit where this special character must appear differs depending on the command used.

CAT (Computer Aided Transceiver) Operation

Command	Function	Set	Read	Ans.	AI
AB	VFO-A TO VFO-B	0	X	X	X
AC	ANTENNA TUNER CONTROL	0	0	0	0
AG	AF GAIN	0	0	0	0
AI	AUTO INFORMATION	0	0	0	X
AM	VFO-A TO MEMORY CHANNEL	0	X	X	X
AO	AMC OUTPUT LEVEL	0	0	0	0
AV	ANTI VOX LEVEL	0	0	0	0
BA	VFO-B TO VFO-A	0	X	X	X
BC	AUTO NOTCH (DNF)	0	0	0	0
BD	BAND DOWN	0	X	X	X
BI	BREAK-IN	0	0	0	0
BM	VFO-B TO MEMORY CHANNEL	0	X	X	X
BP	MANUAL NOTCH	0	0	0	0
BS	BAND SELECT	0	X	X	X
BU	BAND UP	0	X	X	X
BY	BUSY	X	0	0	0
CF	CLAR (Clarifier)	0	0	0	0
CH	CHANNEL UP/DOWN	0	X	X	X
CN	CTCSS NUMBER	0	0	0	0
CO	CONTOUR/APF	0	0	0	0
CS	CW SPOT	0	0	0	0
CT	CTCSS	0	0	0	0
DA	LCD CONTRAST/DIMMER	0	0	0	X
DN	DOWN	0	X	X	X
DT	DATE AND TIME	0	0	0	X
ED	ENCODER DOWN	0	X	X	X
EM	ENCODE MEMORY	0	0	0	X
EN	ENCODE	0	X	X	X
EU	ENCODER UP	0	X	X	X
EX	MENU	0	0	0	0
FA	FREQUENCY VFO-A	0	0	0	0
FB	FREQUENCY VFO-B	0	0	0	0
FN	FINE TUNING	0	0	0	0
GT	AGC FUNCTION	0	0	0	0
ID	IDENTIFICATION	X	0	0	X
IF	INFORMATION	X	0	0	0
IS	IF-SHIFT	0	0	0	0
KM	KEYER MEMORY	0	0	0	X
KP	KEY PITCH	0	0	0	0
KR	KEYER	0	0	0	0
KS	KEY SPEED	0	0	0	0
KY	CW KEYING	0	X	X	X
LK	LOCK	0	0	0	0
LM	LOAD MESSAGE	0	0	0	X
MA	MEMORY CHANNEL TO VFO-A	0	X	X	X
MB	MEMORY CHANNEL TO VFO-B	0	X	X	X
MC	MEMORY CHANNEL	0	0	0	X
MD	MODE	0	0	0	0
MG	MIC GAIN	0	0	0	0
ML	MONITOR LEVEL	0	0	0	0
MR	MEMORY READ	X	0	0	X
MS	METER SW	0	0	0	0
MT	MEMORY CHANNEL WRITE/TAG	0	0	0	X
MW	MEMORY WRITE	0	X	X	X
MX	MOX SET	0	0	0	0
NA	NARROW	0	0	0	0
NB	NOISE BLANKER	0	0	0	0
NL	NOISE BLANKER LEVEL	0	0	0	0
NR	NOISE REDUCTION (DNR)	0	0	0	0
OI	OPPOSITE BAND (VFO-B) INFORMATION	X	0	0	0

Command	Function	Set	Read	Ans.	AI
OS	OFFSET (Repeater Shift)	0	0	0	0
PA	PRE-AMP (IPO)	0	0	0	0
PB	PLAY BACK	0	0	0	X
PC	POWER CONTROL	0	0	0	0
PL	SPEECH PROCESSOR LEVEL	0	0	0	0
PR	SPEECH PROCESSOR	0	0	0	0
PS	POWER SWITCH	0	0	0	X
QI	QMB STORE	0	X	X	X
QR	QMB RECALL	0	X	X	X
QS	QUICK SPLIT	0	X	X	X
RA	RF ATTENUATOR	0	0	0	0
RC	CLAR (Clarifier) CLEAR	0	X	X	X
RD	CLAR (Clarifier) DOWN	0	X	X	X
RF	ROOFING FILTER	0	0	0	0
RG	RF GAIN	0	0	0	0
RI	RADIO INFORMATION	X	0	0	0
RL	NOISE REDUCTION (DNR) LEVEL	0	0	0	0
RM	READ METER	X	0	0	0
RS	RADIO STATUS	X	0	0	0
RT	RX CLAR (Clarifier)	0	0	0	0
RU	CLAR (Clarifier) UP	0	X	X	X
SC	SCAN	0	0	0	0
SD	SEMI BREAK-IN DELAY TIME	0	0	0	0
SF	SUB DIAL	0	0	0	0
SH	WIDTH	0	0	0	0
SM	S METER	X	0	0	X
SQ	SQUELCH LEVEL	0	0	0	0
SS	SPECTRUM SCOPE	0	0	0	0
ST	SPLIT	0	0	0	0
SV	SWAP VFO	0	X	X	X
TS	TXW	0	0	0	0
TX	TX SET	0	0	0	0
UL	UNLOCK	X	0	0	0
UP	UP	0	X	X	X
VD	VOX DELAY TIME	0	0	0	0
VG	VOX GAIN	0	0	0	0
VM	[V/M] KEY FUNCTION	0	X	X	X
VS	VFO SELECT	0	0	0	0
VX	VOX	0	0	0	0
XT	TX CLAR	0	0	0	0
ZI	ZERO IN	0	X	X	X

CAT (Computer Aided Transceiver) Operation

AB		VFO-A TO VFO-B									
Set	1	2	3	4	5	6	7	8	9	10	
	A	B	;								
Read	1	2	3	4	5	6	7	8	9	10	
Answer	1	2	3	4	5	6	7	8	9	10	

AC		ANTENNA TUNER CONTROL									
Set	1	2	3	4	5	6	7	8	9	10	P1 0: Fixed P3 0: Tuner "OFF" P2 0: Fixed 1: Tuner "ON", 2: Tuning Start / Tuning Stop
	A	C	P1	P2	P3	;					
Read	1	2	3	4	5	6	7	8	9	10	
	A	C	;								
Answer	1	2	3	4	5	6	7	8	9	10	
	A	C	P1	P2	P3	;					

AG		AF GAIN									
Set	1	2	3	4	5	6	7	8	9	10	P1 0: Fixed P2 000 - 255
	A	G	P1	P2	P2	P2	;				
Read	1	2	3	4	5	6	7	8	9	10	
	A	G	P1	;							
Answer	1	2	3	4	5	6	7	8	9	10	
	A	G	P1	P2	P2	P2	;				

AI		AUTO INFORMATION									
Set	1	2	3	4	5	6	7	8	9	10	P1 0: Auto Information "OFF" 1: Auto Information "ON" NOTE: The AI command is available only when PC is connected with USB cable. This parameter is set to "0" (OFF) automatically when the transceiver is turned "OFF".
	A	I	P1	;							
Read	1	2	3	4	5	6	7	8	9	10	
	A	I	;								
Answer	1	2	3	4	5	6	7	8	9	10	
	A	I	P1	;							

AM		VFO-A TO MEMORY CHANNEL									
Set	1	2	3	4	5	6	7	8	9	10	
	A	M	;								
Read	1	2	3	4	5	6	7	8	9	10	
Answer	1	2	3	4	5	6	7	8	9	10	

AO		AMC OUTPUT LEVEL									
Set	1	2	3	4	5	6	7	8	9	10	P1 001-100: AMC OUTPUT LEVEL
	A	O	P1	P1	P1	;					
Read	1	2	3	4	5	6	7	8	9	10	
	A	O	;								
Answer	1	2	3	4	5	6	7	8	9	10	
	A	O	P1	P1	P1	;					

AV		ANTI VOX LEVEL									
Set	1	2	3	4	5	6	7	8	9	10	P1 001-100: ANTI VOX LEVEL
	A	V	P1	P1	P1	;					
Read	1	2	3	4	5	6	7	8	9	10	
	A	V	;								
Answer	1	2	3	4	5	6	7	8	9	10	
	A	V	P1	P1	P1	;					

BA		VFO-B TO VFO-A									
Set	1	2	3	4	5	6	7	8	9	10	
	B	A	;								
Read	1	2	3	4	5	6	7	8	9	10	
Answer	1	2	3	4	5	6	7	8	9	10	

CAT (Computer Aided Transceiver) Operation

BC		AUTO NOTCH									
Set	1	2	3	4	5	6	7	8	9	10	P1 0: Fixed P2 0: Auto Notch "OFF" 1: Auto Notch "ON"
	B	C	P1	P2	;						
Read	1	2	3	4	5	6	7	8	9	10	
	B	C	P1	;							
Answer	1	2	3	4	5	6	7	8	9	10	
	B	C	P1	P2	;						

BD		BAND DOWN									
Set	1	2	3	4	5	6	7	8	9	10	P1 0: MAIN BAND 1: SUB BAND
	B	D	P1	;							
Read	1	2	3	4	5	6	7	8	9	10	
Answer	1	2	3	4	5	6	7	8	9	10	

BI		BREAK-IN									
Set	1	2	3	4	5	6	7	8	9	10	P1 0: Break-in "OFF" 1: Break-in "ON"
	B	I	P1	;							
Read	1	2	3	4	5	6	7	8	9	10	
	B	I	;								
Answer	1	2	3	4	5	6	7	8	9	10	
	B	I	P1	;							

BM		VFO-B TO MEMORY CHANNEL									
Set	1	2	3	4	5	6	7	8	9	10	
	B	M	;								
Read	1	2	3	4	5	6	7	8	9	10	
Answer	1	2	3	4	5	6	7	8	9	10	

BP		MANUAL NOTCH									
Set	1	2	3	4	5	6	7	8	9	10	P1 0: Fixed P2 0: Manual NOTCH "ON/OFF" 1: Manual NOTCH Frequency P3 P2=0 000: "OFF" 001: "ON" P2=1 001 - 320 (NOTCH Frequency : x 10 Hz)
	B	P	P1	P2	P3	P3	P3	;			
Read	1	2	3	4	5	6	7	8	9	10	
	B	P	P1	P2	;						
Answer	1	2	3	4	5	6	7	8	9	10	
	B	P	P1	P2	P3	P3	P3	;			

BS		BAND SELECT									
Set	1	2	3	4	5	6	7	8	9	10	P1 00: 1.8 MHz 06: 18 MHz 12: MW 01: 3.5 MHz 07: 21 MHz 02: 5 MHz 08: 24.5 MHz 03: 7 MHz 09: 28 MHz 04: 10 MHz 10: 50 MHz 05: 14 MHz 11: GEN
	B	S	P1	P1	;						
Read	1	2	3	4	5	6	7	8	9	10	
Answer	1	2	3	4	5	6	7	8	9	10	

BU		BAND UP									
Set	1	2	3	4	5	6	7	8	9	10	P1 0: MAIN BAND 1: SUB BAND
	B	U	P1	;							
Read	1	2	3	4	5	6	7	8	9	10	
Answer	1	2	3	4	5	6	7	8	9	10	

BY		BUSY									
Set	1	2	3	4	5	6	7	8	9	10	P1 0: RX BUSY "OFF" 1: RX BUSY "ON" (SQL OPEN) P2 0: Fixed
Read	1	2	3	4	5	6	7	8	9	10	
	B	Y	;								
Answer	1	2	3	4	5	6	7	8	9	10	
	B	Y	P1	P2	;						

CAT (Computer Aided Transceiver) Operation

CF	CLAR ON/OFF											
Set	1	2	3	4	5	6	7	8	9	10	11	P1 0: MAIN BAND 1: SUB BAND P2 0: Fixed P3 0: CLAR Setting 1: CLAR Frequency P3=0 (CLAR Setting): P4 0: RX CLAR OFF 1: RX CLAR ON P5 0: TX CLAR OFF 1: TX CLAR ON P6-P8 0: Fixed P3=1 (CLAR Frequency): P4 +/- P5-P8 0000 - 9999 Hz
	C	F	P1	P2	P3	P4	P5	P6	P7	P8	;	
Read	1	2	3	4	5	6	7	8	9	10	11	
	C	F	P1	P2	P3	;						
Answer	1	2	3	4	5	6	7	8	9	10	11	
	C	F	P1	P2	P3	P4	P5	P6	P7	P8	;	

CH	CHANNEL UP/DOWN										
Set	1	2	3	4	5	6	7	8	9	10	P1 0: Memory Channel "UP" 1: Memory Channel "DOWN"
	C	H	P1	;							
Read	1	2	3	4	5	6	7	8	9	10	
Answer	1	2	3	4	5	6	7	8	9	10	

CN	CTCSS TONE FREQUENCY										
Set	1	2	3	4	5	6	7	8	9	10	P1 0: MAIN BAND 1: SUB BAND P2 0: Fixed P3 000 - 049: Tone Frequency Number (See Table 1)
	C	N	P1	P2	P3	P3	;				
Read	1	2	3	4	5	6	7	8	9	10	
	C	N	P1	P2	;						
Answer	1	2	3	4	5	6	7	8	9	10	
	C	N	P1	P2	P3	P3	;				

000	67.0 Hz	009	91.5 Hz	018	123.0 Hz	027	162.2 Hz	036	189.9 Hz	045	229.1 Hz
001	69.3 Hz	010	94.8 Hz	019	127.3 Hz	028	165.5 Hz	037	192.8 Hz	046	233.6 Hz
002	71.9 Hz	011	97.4 Hz	020	131.8 Hz	029	167.9 Hz	038	196.6 Hz	047	241.8 Hz
003	74.4 Hz	012	100.0 Hz	021	136.5 Hz	030	171.3 Hz	039	199.5 Hz	048	250.3 Hz
004	77.0 Hz	013	103.5 Hz	022	141.3 Hz	031	173.8 Hz	040	203.5 Hz	049	254.1 Hz
005	79.7 Hz	014	107.2 Hz	023	146.2 Hz	032	177.3 Hz	041	206.5 Hz	-	-
006	82.5 Hz	015	110.9 Hz	024	151.4 Hz	033	179.9 Hz	042	210.7 Hz	-	-
007	85.4 Hz	016	114.8 Hz	025	156.7 Hz	034	183.5 Hz	043	218.1 Hz	-	-
008	88.5 Hz	017	118.8 Hz	026	159.8 Hz	035	186.2 Hz	044	225.7 Hz	-	-

CO	CONTOUR										
Set	1	2	3	4	5	6	7	8	9	10	P1 0: Fixed P2 0: CONTOUR "ON/OFF" 1: CONTOUR FREQ 2: APF "ON/OFF" 3: APF FREQ P3 P2=0 0000: CONTOUR "OFF" 0001: CONTOUR "ON" P2=1 0010 - 3200 (CONTOUR Frequency: 10 - 3200Hz) P2=2 0000: APF "OFF" 0001: APF "ON" P2=3 0000 - 0050 (APF Frequency: -250 - 250 Hz)
	C	O	P1	P2	P3	P3	P3	;			
Read	1	2	3	4	5	6	7	8	9	10	
	C	O	P1	P2	;						
Answer	1	2	3	4	5	6	7	8	9	10	
	C	O	P1	P2	P3	P3	P3	;			

CS	CW SPOT										
Set	1	2	3	4	5	6	7	8	9	10	P1 0: OFF 1: ON
	C	S	P1	;							
Read	1	2	3	4	5	6	7	8	9	10	
Answer	1	2	3	4	5	6	7	8	9	10	

CT	CTCSS										
Set	1	2	3	4	5	6	7	8	9	10	P1 0: MAIN BAND 1: SUB BAND P2 0: CTCSS "OFF" 1: CTCSS ENC/DEC 2: CTCSS ENC
	C	T	P1	P2	;						
Read	1	2	3	4	5	6	7	8	9	10	
	C	T	P1	;							
Answer	1	2	3	4	5	6	7	8	9	10	
	C	T	P1	P2	;						

CAT (Computer Aided Transceiver) Operation

DA		DIMMER										
Set	1	2	3	4	5	6	7	8	9	10	11	P1 00: Fixed P2 00 - 20: TFT Display Contrast P3 00 - 20: TFT Display Brightness Level P4 00 - 20: LED Indicators Brightness Level
	D	A	P1	P1	P2	P2	P3	P3	P4	P4	;	
Read	1	2	3	4	5	6	7	8	9	10	11	
	D	A	;									
Answer	1	2	3	4	5	6	7	8	9	10	11	
	D	A	P1	P1	P2	P2	P3	P3	P4	P4	;	

DN		MIC DOWN									
Set	1	2	3	4	5	6	7	8	9	10	
	D	N	;								
Read	1	2	3	4	5	6	7	8	9	10	
Answer	1	2	3	4	5	6	7	8	9	10	

DT		DATE AND TIME										
Set	1	2	3	4	5	6	7	~	n-1	n	P1 0: Date 1: Time (UTC) P2 P1=0 yyyymmdd (Year/Month/Date) P1=1 hhmmss (Hour/Minute/Second, 24 hour time system)	
	D	T	P1	P2	P2	P2	P2	~	P2	;		
Read	1	2	3	4	5	6	7	8	9	10		
	D	T	P1	;								
Answer	1	2	3	4	5	6	7	~	n-1	n		
	D	T	P1	P2	P2	P2	P2	~	P2	;		

ED		ENCODER DOWN										
Set	1	2	3	4	5	6	7	8	9	10	P1 0: MAIN ENCODER 5: MAIN CONT ENCODER 1: MPVD knob 6: - 2: - 7: - 3: - 8: MULTI knob 4: MAIN NOTCH ENCODER P2 01 - 99: Frequency Steps (Frequency only) P2 01 Fixed (Except Frequency)	
	E	D	P1	P2	P2	;						
Read	1	2	3	4	5	6	7	8	9	10		
Answer	1	2	3	4	5	6	7	8	9	10		

EM		ENCODE MEMORY										
Set	1	2	3	4	5	6	7		54	55	P1 0: RTTY 1: DATA P2 0: - 3: 3 ch 1: 1 ch 4: 4 ch 2: 2 ch 5: 5 ch P3 Message Characters (up to 50 characters) (ASCII)	
	E	M	P1	P2	P3	P3	~	P3	;			
Read	1	2	3	4	5	6	7		54	55		
	E	M	P1	P2	;							
Answer	1	2	3	4	5	6	7		54	55		
	E	M	P1	P2	P3	P3	~	P3	;			

EN		ENCODE										
Set	1	2	3	4	5	6	7	8	9	10	P1 0: RTTY 1: DATA P2 0: - 3: 3 ch 1: 1 ch 4: 4 ch 2: 2 ch 5: 5 ch	
	E	N	P1	P2	;							
Read	1	2	3	4	5	6	7	8	9	10		
Answer	1	2	3	4	5	6	7	8	9	10		

EU		ENCODER UP										
Set	1	2	3	4	5	6	7	8	9	10	P1 0: MAIN ENCODER 5: MAIN CONT ENCODER 1: MPVD knob 6: - 2: - 7: - 3: - 8: MULTI knob 4: MAIN NOTCH ENCODER P2 01 - 99: Frequency Steps (Frequency only)	
	E	U	P1	P2	P2	;						
Read	1	2	3	4	5	6	7	8	9	10		
Answer	1	2	3	4	5	6	7	8	9	10		

EX		MENU											
Set	1	2	3	4	5	6	7	8	9		nn	**	P1 : 01 - 05 P2 : 01 - 07 P3 : 01 - 23 P4 : Parameter (See Table 2)
	E	X	P1	P1	P2	P2	P3	P3	P4	~	P4	;	
Read	1	2	3	4	5	6	7	8	9	10	nn	**	
	E	X	P1	P1	P2	P2	P3	P3	;				
Answer	1	2	3	4	5	6	7	8	9		nn	**	
	E	X	P1	P1	P2	P2	P3	P3	P4	~	P4	;	

CAT (Computer Aided Transceiver) Operation

Table 2 (MENU Chart)						
P1	P2	P3	Function	P4	Digits	
01 (RADIO SETTING)	01 (MODE SSB)	01	AF TREBLE GAIN	-10 ~ +00 ~ +10	3	
		02	AF MIDDLE TONE GAIN	-10 ~ +00 ~ +10	3	
		03	AF BASS GAIN	-10 ~ +00 ~ +10	3	
		04	AGC FAST DELAY	20 ~ 4000 msec (P4= 0020 ~ 4000, 20 msec/step)	4	
		05	AGC MID DELAY	20 ~ 4000 msec (P4= 0020 ~ 4000, 20 msec/step)	4	
		06	AGC SLOW DELAY	20 ~ 4000 msec (P4= 0020 ~ 4000, 20 msec/step)	4	
		07	LCUT FREQ	00: OFF 01: 100 Hz ~ 19: 1000 Hz (50 Hz steps)	2	
		08	LCUT SLOP	0: 6 dB/oct 1: 18 dB/oct	1	
		09	HCUT FREQ	00: OFF 01: 700 Hz ~ 67: 4000 Hz (50 Hz steps)	2	
		10	HCUT SLOPE	0: 6 dB/oct 1: 18 dB/oct	1	
		11	SSB OUT LEVEL	0 ~ 100 (P4 = 000 ~ 100)	3	
		12	TX BPF SEL	0: 50 ~ 3050 1: 100 ~ 2900 2: 200 ~ 2800 3: 300 ~ 2700 4: 400 ~ 2600	1	
		13	SSB MOD SOURCE	0: MIC 1: REAR	1	
		14	REAR SELECT	0: DATA 1: USB	1	
		15	RPORT GAIN	0 ~ 100 (P4 = 000 ~ 100)	3	
		16	RPTT SELECT	0: DAKY 1: RTS 2: DTR	1	
		02 (MODE AM)	01	AF TREBLE GAIN	-10 ~ +00 ~ +10	3
			02	AF MIDDLE TONE GAIN	-10 ~ +00 ~ +10	3
			03	AF BASS GAIN	-10 ~ +00 ~ +10	3
			04	AGC FAST DELAY	20 ~ 4000 msec (P4= 0020 ~ 4000, 20 msec/step)	4
			05	AGC MID DELAY	20 ~ 4000 msec (P4= 0020 ~ 4000, 20 msec/step)	4
			06	AGC SLOW DELAY	20 ~ 4000 msec (P4= 0020 ~ 4000, 20 msec/step)	4
			07	LCUT FREQ	00: OFF 01: 100 Hz ~ 19: 1000 Hz (50 Hz steps)	2
			08	LCUT SLOP	0: 6 dB/oct 1: 18 dB/oct	1
			09	HCUT FREQ	00: OFF 01: 700 Hz ~ 67: 4000 Hz (50 Hz steps)	2
			10	HCUT SLOPE	0: 6 dB/oct 1: 18 dB/oct	1
			11	AM OUT LEVEL	0 ~ 100 (P4 = 000 ~ 100)	3
			12	TX BPF SEL	0: 50 ~ 3050 1: 100 ~ 2900 2: 200 ~ 2800 3: 300 ~ 2700 4: 400 ~ 2600	1
			13	AM MOD SOURCE	0: MIC 1: REAR	1
			14	MIC GAIN	1000: MCVR 0000 ~ 0100: FIX	4
			15	REAR SELECT	0: DATA 1: USB	1
			16	RPORT GAIN	0 ~ 100 (P4 = 000 ~ 100)	3
		17	RPTT SELECT	0: DAKY 1: RTS 2: DTR	1	
		03 (MODE FM)	01	AF TREBLE GAIN	-10 ~ +00 ~ +10	3
			02	AF MIDDLE TONE GAIN	-10 ~ +00 ~ +10	3
			03	AF BASS GAIN	-10 ~ +00 ~ +10	3
			04	AGC FAST DELAY	20 ~ 4000 msec (P4= 0020 ~ 4000, 20 msec/step)	4
			05	AGC MID DELAY	20 ~ 4000 msec (P4= 0020 ~ 4000, 20 msec/step)	4
			06	AGC SLOW DELAY	20 ~ 4000 msec (P4= 0020 ~ 4000, 20 msec/step)	4
			07	LCUT FREQ	00: OFF 01: 100 Hz ~ 19: 1000 Hz (50 Hz steps)	2
			08	LCUT SLOP	0: 6 dB/oct 1: 18 dB/oct	1
			09	HCUT FREQ	00: OFF 01: 700 Hz ~ 67: 4000 Hz (50 Hz steps)	2
			10	HCUT SLOPE	0: 6 dB/oct 1: 18 dB/oct	1
			11	FM OUT LEVEL	0 ~ 100 (P4 = 000 ~ 100)	3
			12	FM MOD SOURCE	0: MIC 1: REAR	1
			13	MIC GAIN	1000: MCVR 0000 ~ 0100: FIX	4
			14	REAR SELECT	0: DATA 1: USB	1
			15	RPORT GAIN	0 ~ 100 (P4 = 000 ~ 100)	3
			16	RPTT SELECT	0: DAKY 1: RTS 2: DTR	1
		17	RPT SHIFT(28MHz)	0 ~ 1000 kHz (P4 = 0000 ~ 1000, 10 kHz/step)	4	
		18	RPT SHIFT(50MHz)	0 ~ 4000 kHz (P4 = 0000 ~ 4000, 10 kHz/step)	4	
		19	RPT	0: - 1: SIMPLEX 2: +	1	
		20	TONE FREQ	00: 67.0 ~ 49: 254.1Hz	2	
		21	ENC/DEC	0: OFF 1: ENC 2: TSQ	1	
		04 (MODE PSK/DATA)	01	AF TREBLE GAIN	-10 ~ +00 ~ +10	3
			02	AF MIDDLE TONE GAIN	-10 ~ +00 ~ +10	3
			03	AF BASS GAIN	-10 ~ +00 ~ +10	3
			04	AGC FAST DELAY	20 ~ 4000 msec (P4= 0020 ~ 4000, 20 msec/step)	4
			05	AGC MID DELAY	20 ~ 4000 msec (P4= 0020 ~ 4000, 20 msec/step)	4
			06	AGC SLOW DELAY	20 ~ 4000 msec (P4= 0020 ~ 4000, 20 msec/step)	4
			07	PSK TONE	0: 1000Hz 1: 1500Hz 2: 2000Hz	1
			08	DATA SHIFT (SSB)	0 ~ 3000 Hz (P4 = 0000 ~ 3000, 10 Hz steps)	4
			09	LCUT FREQ	00: OFF 01: 100 Hz ~ 19: 1000 Hz (50 Hz steps)	2
			10	LCUT SLOP	0: 6 dB/oct 1: 18 dB/oct	1
			11	HCUT FREQ	00: OFF 01: 700 Hz ~ 67: 4000 Hz (50 Hz steps)	2
			12	HCUT SLOPE	0: 6 dB/oct 1: 18 dB/oct	1
			13	DATA OUT LEVEL	0 ~ 100 (P4 = 000 ~ 100)	3
			14	TX BPF SEL	0: 50 ~ 3050 1: 100 ~ 2900 2: 200 ~ 2800 3: 300 ~ 2700 4: 400 ~ 2600	1
			15	DATA MOD SOURCE	0: MIC 1: REAR	1
			16	REAR SELECT	0: DATA 1: USB	1
		17	RPORT GAIN	0 ~ 100 (P4 = 000 ~ 100)	3	
		18	RPTT SELECT	0: DAKY 1: RTS 2: DTR	1	

CAT (Computer Aided Transceiver) Operation

Table 2 (MENU Chart)						
P1	P2	P3	Function	P4	Digits	
01 (RADIO SETTING)	05 (MODE RTTY)	01	AF TREBLE GAIN	-10 ~ +00 ~ +10	3	
		02	AF MIDDLE TONE GAIN	-10 ~ +00 ~ +10	3	
		03	AF BASS GAIN	-10 ~ +00 ~ +10	3	
		04	AGC FAST DELAY	20 ~ 4000 msec (P4= 0020 ~ 4000, 20 msec/step)	4	
		05	AGC MID DELAY	20 ~ 4000 msec (P4= 0020 ~ 4000, 20 msec/step)	4	
		06	AGC SLOW DELAY	20 ~ 4000 msec (P4= 0020 ~ 4000, 20 msec/step)	4	
		07	POLARITY-RX	0: NOR 1: REV	1	
		08	POLARITY-TX	0: NOR 1: REV	1	
		09	LCUT FREQ	00: OFF 01: 100 Hz ~ 19: 1000 Hz (50 Hz steps)	2	
		10	LCUT SLOP	0: 6 dB/oct 1: 18 dB/oct	1	
		11	HCUT FREQ	00: OFF 01: 700 Hz ~ 67: 4000 Hz (50 Hz steps)	2	
		12	HCUT SLOPE	0: 6 dB/oct 1: 18 dB/oct	1	
		13	RTTY OUT LEVEL	0 ~ 100 (P4 = 000 ~ 100)	3	
		14	SHIFT PORT	0: SHIFT 1: DTR 2: RTS	1	
		15	MARK FREQUENCY	1: 1275 Hz 2: 2125 Hz	1	
		16	SHIFT FREQUENCY	1: 170 Hz 1: 200 Hz 2: 425 Hz 3: 850 Hz	1	
	06 (ENC/DEC PSK)	01	PSK MODE	0: BPSK 1: QPSK	1	
		02	DECODE AFC RANGE	0: 8 1: 1.5 2: 30 Hz	1	
		03	QPSK POLARITY RX	0: NOR 1: REV	1	
		04	QPSK POLARITY TX	0: NOR 1: REV	1	
		05	PSK TX LEVEL	0 ~ 100	3	
	07 (ENC/DEC RTTY)	01	RX USOS	0: DISABLE 1: ENABLE	1	
		02	TX USOS	0: DISABLE 1: ENABLE	1	
		03	RX NEW LINE CODE	0: CR or LF or CR+LF 1: CR,LF,CR+LF	1	
		04	TX AUTO CR+LF	0: DISABLE 1: ENABLE	1	
		05	TX DIDDLE	0: OFF 1: BLANK 2: LTRS	1	
		06	BAUDOT CODE	0: CCIT 1: US	1	
02 (CW SETTING)	01 (MODE CW)	01	AF TREBLE GAIN	-10 ~ +00 ~ +10	3	
		02	AF MIDDLE TONE GAIN	-10 ~ +00 ~ +10	3	
		03	AF BASS GAIN	-10 ~ +00 ~ +10	3	
		04	AGC FAST DELAY	20 ~ 4000 msec (P4= 0020 ~ 4000, 20 msec/step)	4	
		05	AGC MID DELAY	20 ~ 4000 msec (P4= 0020 ~ 4000, 20 msec/step)	4	
		06	AGC SLOW DELAY	20 ~ 4000 msec (P4= 0020 ~ 4000, 20 msec/step)	4	
		07	LCUT FREQ	00: OFF 01: 100 Hz ~ 19: 1000 Hz (50 Hz steps)	2	
		08	LCUT SLOP	0: 6 dB/oct 1: 18 dB/oct	1	
		09	HCUT FREQ	00: OFF 01: 700 Hz ~ 67: 4000 Hz (50 Hz steps)	2	
		10	HCUT SLOPE	0: 6 dB/oct 1: 18 dB/oct	1	
		11	CW OUT LEVEL	0 ~ 100 (P4 = 000 ~ 100)	3	
		12	CW AUTO MODE	0: OFF 1: 50 MHz 2: ON	1	
		13	CW BK-IN TYPE	0: SEMI 1: FULL	1	
		14	CW WAVE SHAPE	0: 1 msec 1: 2 msec 2: 4 msec 3: 6 msec	1	
		15	CW FREQ DISPLAY	0: DIRECT FREQ 1: PITCH OFFSET	1	
		16	PC KEYING	0: OFF 1: DAKY 2: RTS 3: DTR	1	
		17	QSK DELAY TIME	0: 15 msec 1: 20 msec 2: 25 msec 3: 30 msec	1	
		18	CW INDICATOR	0: OFF 1: ON	1	
	02 (KEYER)	01	KEYER TYPE	0: OFF 1: BUG 2: ELEKEY-A 3: ELEKEY-B 4: ELEKEY-Y 5: ACS	1	
		02	KEYER DOT/DASH	0: NOR 1: REV	1	
		03	CW WEIGHT	2.5 ~ 4.5 (P4 = 25 ~ 45)	2	
		04	NUMBER STYLE	0: 1290 1: AUNO 2: AUNT 3: A2NO 4: A2NT 5: 12NO 6: 12NT	1	
		05	CONTEST NUMBER	0001 ~ 9999	4	
		06	CW MEMORY 1	0: TEXT 1: MESSAGE	1	
		07	CW MEMORY 2	0: TEXT 1: MESSAGE	1	
		08	CW MEMORY 3	0: TEXT 1: MESSAGE	1	
		09	CW MEMORY 4	0: TEXT 1: MESSAGE	1	
		10	CW MEMORY 5	0: TEXT 1: MESSAGE	1	
		11	REPEAT INTERVAL	1 ~ 60 sec (P4 = 01 ~ 60)	2	
	03 (DECODE CW)	01	CW DECODE BW	0: 25 1: 50 2: 100 3: 250 (Hz)	1	
	03 (OPERATION SETTING)	01 (GENERAL)	01	NB WIDTH	0: 1 ms 1: 3 ms 2: 10 ms	1
			02	NB REJECTION	0: 10 dB 1: 30 dB 2: 50 dB	1
03			BEEP LEVEL	0 ~ 100 (P4 = 000 ~ 100)	3	
04			RF/SQL VR	0: RF 1: SQL	1	
05			TUNER SELECT	0: INT 1: EXT1 2: EXT2 3: EXT3	1	
06			232C RATE	0: 4800 bps 1: 9600 bps 2: 19200 bps 3: 38400 bps	1	
07			232C TIME OUT TIMER	0: 10 msec 1: 100 msec 2: 1000 msec 3: 3000 msec	1	
08			CAT RATE	0: 4800 bps 1: 9600 bps 2: 19200 bps 3: 38400 bps	1	
09			CAT TIME OUT TIMER	0: 10 msec 1: 100 msec 2: 1000 msec 3: 3000 msec	1	
10			CAT RTS	0: DISABLE 1: ENABLE	1	
11			QMB CH	0: 5ch 1: 10ch	1	
12			MEM GROUP	0: DISABLE 1: ENABLE	1	
13			QUICK SPLIT INPUT	0: DISABLE 1: ENABLE	1	
14			QUICK SPLIT FREQ	-20 kHz ~ +00 (or -00) ~ +20 kHz (P4= -20 ~ +00 or -00 ~ +20)	3	
15			SPLIT FREQ DISPLAY	0: FREQ 1: DELTA	1	
16			TX TIME OUT TIMER	0 (OFF) ~ 30 min (P4= 00 ~ 30)	2	
17			MIC SCAN	0: DISABLE 1: ENABLE	1	
18			MIC SCAN RESUME	0: PAUSE 1: TIME	1	
19			REF FREQ ADJ	-25 ~ +00 (or -00) ~ +25 (P4= -25 ~ +00 or -00 ~ +25)	3	
20			KEYBOARD LANGUAGE	00: JAPANESE 01: ENGLISH(US) 02: ENGLISH(UK) 03: FRENCH 04: FRENCH(CA) 05: GERMAN 06: PORTUGUESE 07: PORTUGUESE(BR) 08: SPANISH 09: SPANISH(LATAM) 10: ITALIAN 11: LEVEL	2	

CAT (Computer Aided Transceiver) Operation

Table 2 (MENU Chart)						
P1	P2	P3	Function	P4	Digits	
03 (OPERATION SETTING)	02 (RX-DSP)	01	APF WIDTH	0: NARROW 1: MEDIUM 2: WIDE	1	
		02	CONTOUR LEVEL	-40 ~ 0 ~ +20 (P4 = -40 ~ -00 or +00 ~ +20)	3	
		03	CONTOUR WIDTH	01 ~ 11	2	
		04	IF NOTCH WIDTH	0: NARROW 1: WIDE	1	
	03 (TX AUDIO)		01	AMC RELEASE TIME	0: FAST 1: MID 2: SLOW	1
			02	PRMTRC EQ1 FREQ	00: OFF 01: 100 02: 200 03: 300 04: 400 05: 500 06: 600 07: 700 Hz	2
			03	PRMTRC EQ1 LEVEL	-20 ~ 0 ~ +10 (P4 = -20 ~ -00 or +00 ~ +10)	3
			04	PRMTRC EQ1 BWTH	01 ~ 10	2
			05	PRMTRC EQ2 FREQ	00: OFF 01: 700 02: 800 03: 900 04: 1000 05: 1100 06: 1200 07: 1300 08: 1400 09: 1500 Hz	2
			06	PRMTRC EQ2 LEVEL	-20 ~ 0 ~ +10 (P4 = -20 ~ -00 or +00 ~ +10)	3
			07	PRMTRC EQ2 BWTH	01 ~ 10	2
			08	PRMTRC EQ3 FREQ	00: OFF 01: 1500 02: 1600 03: 1700 04: 1800 05: 1900 06: 2000 ~ 18: 3200 Hz	2
			09	PRMTRC EQ3 LEVEL	-20 ~ 0 ~ +10 (P4 = -20 ~ -00 or +00 ~ +10)	3
			10	PRMTRC EQ3 BWTH	01 ~ 10	2
			11	P PRMTRC EQ1 FREQ	00: OFF 01: 100 02: 200 03: 300 04: 400 05: 500 06: 600 07: 700 Hz	2
			12	P PRMTRC EQ1 LEVEL	-20 ~ 0 ~ +10 (P4 = -20 ~ -00 or +00 ~ +10)	3
			13	P PRMTRC EQ1 BWTH	01 ~ 10	2
			14	P PRMTRC EQ2 FREQ	00: OFF 01: 700 02: 800 03: 900 04: 1000 05: 1100 06: 1200 07: 1300 08: 1400 09: 1500 Hz	2
			15	P PRMTRC EQ2 LEVEL	-20 ~ 0 ~ +10 (P4 = -20 ~ -00 or +00 ~ +10)	3
	16	P PRMTRC EQ2 BWTH	01 ~ 10	2		
	17	P PRMTRC EQ3 FREQ	00: OFF 01: 1500 02: 1600 03: 1700 04: 1800 05: 1900 06: 2000 ~ 18: 3200 Hz	2		
	18	P PRMTRC EQ3 LEVEL	-20 ~ 0 ~ +10 (P4 = -20 ~ -00 or +00 ~ +10)	3		
	19	P PRMTRC EQ3 BWTH	01 ~ 10	2		
	04 (TX GENERAL)		01	HF MAX POWER	5 ~ 100 (P4 = 005 ~ 100)	3
			02	50M MAX POWER	5 ~ 100 (P4 = 005 ~ 100)	3
			03	70M MAX POWER	5 ~ 50 (P4 = 005 ~ 050)	3
			04	AM MAX POWER	5 ~ 25 (P4 = 005 ~ 025)	3
			05	VOX SELECT	0: MIC 1: DATA	1
			06	DATA VOX GAIN	0 ~ 100 (P4 = 000 ~ 100)	3
			07	EMERGENCY FREQ TX	0: DISABLE 1: ENABLE	1
	05 (TUNING)		01	SSB/CW DIAL STEP	0: 5 1: 10 (Hz)	1
			02	RTTY/PSK DIAL STEP	0: 5 1: 10 (Hz)	1
			03	CH STEP	0: 1 1: 2.5 2: 5 3: 10 (kHz)	1
04			AM CH STEP	0: 2.5 1: 5 2: 9 3: 10 4: 12.5 5: 25 (kHz)	1	
05			FM CH STEP	0: 5 1: 6.25 2: 10 3: 12.5 4: 20 5: 25 (kHz)	1	
06			MAIN STEPS PER REV.	0: 250 1: 500 2: 1000	1	
07			MPVD STEPS PER REV.	0: 250 1: 500	1	
04 (DISPLAY SETTING)	01 (DISPLAY)	01	MY CALL.	Up to 12 characters	12	
		02	MY CALL TIME	0: OFF 1: 0.5 2: 1 3: 2 4: 3 5: 5 (sec)	1	
		03	SCREEN SAVER	0: OFF 1: 15 2: 30 3: 60 (min)	1	
		04	DIMMER LED	00 ~ 20	2	
		05	MOUSE POINTER SPEED	00 ~ 20	2	
	02 (SCOPE)	01	RBW	0: HIGH 1: MID 2: LOW	1	
		02	SCOPE CTR	0: FILTER 1: CAR POINT	1	
		03	2D DISP SENSITIVITY	0: NORMAL 1: HI	1	
		04	3DSS DISP SENSITIVITY	0: NORMAL 1: HI	1	
	03 (EXT-MONITOR)	01	EXT DISPLAY	0: DISABLE 1: ENABLE	1	
		02	PIXEL	0: 800x480 1: 800x600	1	
	05 (EXTENSION SETTING)	01 (DATE&TIME)	01	DAY	-	-
02			MONTH	-	-	
03			YEAR	-	-	
04			HOUR	-	-	
05			MINUTE	-	-	
02 (SD CARD)		01	MEM LIST LOAD	-	-	
		02	MEM LIST SAVE	-	-	
		03	MENU LOAD	-	-	
		04	MENU SAVE	-	-	
		05	INFORMATION	-	-	
		06	FIRMWARE UPDATE	-	-	
		07	FORMAT	-	-	
03 (SOFT VERSION)		01	-	-	-	
04 (CALIBRATION)		01	-	-	-	
		01	MEMORY CLEAR	-	-	
05 (RESET)	02	MENU CLEAR	-	-		
	03	ALL RESET	-	-		

CAT (Computer Aided Transceiver) Operation

FA		FREQUENCY VFO-A									
Set	1	2	3	4	5	6	7	8	9	10	P1 000030000 - 075000000 (Hz)
	F	A	P1	P1	P1	P1	P1	P1	P1	P1	
	11	12	13	14	15	16	17	18	19	20	
	P1	;									
Read	1	2	3	4	5	6	7	8	9	10	
	F	A	;								
Answer	1	2	3	4	5	6	7	8	9	10	
	F	A	P1	P1	P1	P1	P1	P1	P1	P1	
	11	12	13	14	15	16	17	18	19	20	
	P1	;									

FB		FREQUENCY VFO-B									
Set	1	2	3	4	5	6	7	8	9	10	P1 000030000 - 075000000 (Hz)
	F	B	P1	P1	P1	P1	P1	P1	P1	P1	
	11	12	13	14	15	16	17	18	19	20	
	P1	;									
Read	1	2	3	4	5	6	7	8	9	10	
	F	B	;								
Answer	1	2	3	4	5	6	7	8	9	10	
	F	B	P1	P1	P1	P1	P1	P1	P1	P1	
	11	12	13	14	15	16	17	18	19	20	
	P1	;									

FN		FINE TUNING									
Set	1	2	3	4	5	6	7	8	9	10	P1 0: Fine Tuning "OFF" 1: Fine Tuning "ON"
	F	N	P1	;							
Read	1	2	3	4	5	6	7	8	9	10	
	F	N	;								
Answer	1	2	3	4	5	6	7	8	9	10	
	F	N	P1	;							

FT		FUNCTION TX									
Set	1	2	3	4	5	6	7	8	9	10	P1 0: - 1: - 2: MAIN Band Transmitter: TX 3: SUB Band Transmitter: TX P2 0: MAIN Band Transmitter: TX 1: SUB Band Transmitter: TX
	F	T	P1	;							
Read	1	2	3	4	5	6	7	8	9	10	
	F	T	;								
Answer	1	2	3	4	5	6	7	8	9	10	
	F	T	P2	;							

GT		AGC FUNCTION									
Set	1	2	3	4	5	6	7	8	9	10	P1 0: Fixed P2 0: AGC "OFF" 1: AGC "FAST" 2: AGC "MID" 3: AGC "SLOW" 4: AGC "AUTO" P3 0: AGC "OFF" 1: AGC "FAST" 2: AGC "MID" 3: AGC "SLOW" 4: AGC "AUTO-FAST" 5: AGC "AUTO-MID" 6: AGC "AUTO-SLOW"
	G	T	P1	P2	;						
Read	1	2	3	4	5	6	7	8	9	10	
	G	T	P1	;							
Answer	1	2	3	4	5	6	7	8	9	10	
	G	T	P1	P3	;						

ID		IDENTIFICATION									
Set	1	2	3	4	5	6	7	8	9	10	P1 0761
Read	1	2	3	4	5	6	7	8	9	10	
	I	D	;								
Answer	1	2	3	4	5	6	7	8	9	10	
	I	D	P1	P1	P1	P1	;				

CAT (Computer Aided Transceiver) Operation

IF		INFORMATION									
Set	1	2	3	4	5	6	7	8	9	10	P0 001-099 (Memory Channel), P1L -P9U (PMS), 5xx (5MHz BAND), EMG (EMERGENCY CH) P2 VFO-A Frequency (Hz) P3 Clarifier Direction +: Plus Shift, -: Minus Shift Clarifier Offset: 0000 - 9990 (Hz) P4 0: RX CLAR "OFF" 1: RX CLAR "ON" P5 0: TX CLAR "OFF" 1: TX CLAR "ON" P6 MODE 1: LSB 2: USB 3: CW-U 4: FM 5: AM 6: RTTY-L 7: CW-L 8: DATA-L 9: RTTY-U A: DATA-FM B: FM-N C: DATA-U D: AM-N E: PSK F: DATA-FM-N P7 0: VFO 1: Memory 2: Memory Tune 3: Quick Memory Bank (QMB) 4: - 5: PMS P8 0: OFF 1: CTCSS ENC/DEC 2: CTCSS ENC P9 00: (Fixed) P10 0: Simplex 1: Plus Shift 2: Minus Shift
Read	1	2	3	4	5	6	7	8	9	10	
	I	F	;								
Answer	1	2	3	4	5	6	7	8	9	10	
	I	F	P1	P1	P1	P2	P2	P2	P2	P2	
	11	12	13	14	15	16	17	18	19	20	
	P2	P2	P2	P2	P3	P3	P3	P3	P3	P4	
	21	22	23	24	25	26	27	28	29	30	
	P5	P6	P7	P8	P9	P9	P10	;			

IS		IF-SHIFT									
Set	1	2	3	4	5	6	7	8	9	10	P1 0: (Fixed) P2 0: (Fixed) P3 +/- P4 0 ~ 1200 Hz (20 Hz steps)
		I	S	P1	P2	P3	P4	P4	P4	P4	
Read	1	2	3	4	5	6	7	8	9	10	
	I	S	P1	;							
Answer	1	2	3	4	5	6	7	8	9	10	
	I	S	P1	P2	P3	P4	P4	P4	P4	;	

KM		KEYER MEMORY									
Set	1	2	3	4	5	6	7	~	n-1	n	P1 1 - 5 : Keyer Memory Channel Number P2 Message Characters (up to 50 characters)
		K	M	P1	P2	P2	P2	P2	~	P2	
Read	1	2	3	4	5	6	7	8	9	10	
	K	M	P1	;							
Answer	1	2	3	4	5	6	7	~	n-1	n	
	K	M	P1	P2	P2	P2	P2	~	P2	;	

KP		KEY PITCH									
Set	1	2	3	4	5	6	7	8	9	10	P1 00: 300 Hz - 75: 1050 Hz (10Hz steps)
		K	P	P1	P1	;					
Read	1	2	3	4	5	6	7	8	9	10	
	K	P	;								
Answer	1	2	3	4	5	6	7	8	9	10	
	K	P	P1	P1	;						

KR		KEYER									
Set	1	2	3	4	5	6	7	8	9	10	P1 0: KEYER "OFF" 1: KEYER "ON"
		K	R	P1	;						
Read	1	2	3	4	5	6	7	8	9	10	
	K	R	;								
Answer	1	2	3	4	5	6	7	8	9	10	
	K	R	P1	;							

KS		KEY SPEED									
Set	1	2	3	4	5	6	7	8	9	10	P1 004 - 060 (WPM)
		K	S	P1	P1	P1	;				
Read	1	2	3	4	5	6	7	8	9	10	
	K	S	;								
Answer	1	2	3	4	5	6	7	8	9	10	
	K	S	P1	P1	P1	;					

CAT (Computer Aided Transceiver) Operation

KY		CW KEYING									
Set	1	2	3	4	5	6	7	8	9	10	P1 1: Keyer Memory "1" Playback 2: Keyer Memory "2" Playback 3: Keyer Memory "3" Playback 4: Keyer Memory "4" Playback 5: Keyer Memory "5" Playback 6: Message Keyer "1" Playback 7: Message Keyer "2" Playback 8: Message Keyer "3" Playback 9: Message Keyer "4" Playback A: Message Keyer "5" Playback
	K	Y	P1	;							
Read	1	2	3	4	5	6	7	8	9	10	
Answer	1	2	3	4	5	6	7	8	9	10	

LK		LOCK									
Set	1	2	3	4	5	6	7	8	9	10	P1 0: Main Dial Lock "OFF" 1: Main Dial Lock "ON"
	L	K	P1	;							
Read	1	2	3	4	5	6	7	8	9	10	
	L	K	;								
Answer	1	2	3	4	5	6	7	8	9	10	
	L	K	P1	;							

LM		LOAD MESSAGE									
Set	1	2	3	4	5	6	7	8	9	10	P1 0: DVS P2 0: DVS (Recording Stop) 1: DVS (CH "1" Recording Start/Stop) 2: DVS (CH "2" Recording Start/Stop) 3: DVS (CH "3" Recording Start/Stop) 4: DVS (CH "4" Recording Start/Stop) 5: DVS (CH "5" Recording Start/Stop)
	L	M	P1	P2	;						
Read	1	2	3	4	5	6	7	8	9	10	
	L	M	P1	;							
Answer	1	2	3	4	5	6	7	8	9	10	
	L	M	P1	P2	;						

MA		MEMORY CHANNEL TO VFO-A									
Set	1	2	3	4	5	6	7	8	9	10	
	M	A	;								
Read	1	2	3	4	5	6	7	8	9	10	
Answer	1	2	3	4	5	6	7	8	9	10	

MB		MEMORY CHANNEL TO VFO-B									
Set	1	2	3	4	5	6	7	8	9	10	
	M	B	;								
Read	1	2	3	4	5	6	7	8	9	10	
Answer	1	2	3	4	5	6	7	8	9	10	

MC		MEMORY CHANNEL									
Set	1	2	3	4	5	6	7	8	9	10	P1 001-099 (Memory Channel), P1L -P9U (PMS), 5xx (5MHz BAND), EMG (EMERGENCY CH)
	M	C	P1	P1	P1	;					
Read	1	2	3	4	5	6	7	8	9	10	
	M	C	;								
Answer	1	2	3	4	5	6	7	8	9	10	
	M	C	P1	P1	P1	;					

MD		OPERATING MODE									
Set	1	2	3	4	5	6	7	8	9	10	P1 0: MAIN Band 1: SUB Band P2 MODE 1: LSB 2: USB 3: CW-U 4: FM 5: AM 6: RTTY-L 7: CW-L 8: DATA-L 9: RTTY-U A: DATA-FM B: FM-N C: DATA-U D: AM-N E: PSK F: DATA-FM-N
	M	D	P1	P2	;						
Read	1	2	3	4	5	6	7	8	9	10	
	M	D	P1	;							
Answer	1	2	3	4	5	6	7	8	9	10	
	M	D	P1	P2	;						

MG		MIC GAIN									
Set	1	2	3	4	5	6	7	8	9	10	P1 000 - 100
	M	G	P1	P1	P1	;					
Read	1	2	3	4	5	6	7	8	9	10	
	M	G	;								
Answer	1	2	3	4	5	6	7	8	9	10	
	M	G	P1	P1	P1	;					

CAT (Computer Aided Transceiver) Operation

ML		MONITOR LEVEL									
Set	1	2	3	4	5	6	7	8	9	10	P1 0: MONI "ON/OFF" 1: MONI Level P2 P1=0 000: MONI "OFF" 001: MONI "ON" P1=1 000 - 100
	M	L	P1	P2	P2	P2	;				
Read	1	2	3	4	5	6	7	8	9	10	
	M	L	P1	;							
Answer	1	2	3	4	5	6	7	8	9	10	
	M	L	P1	P2	P2	P2	;				

MR		MEMORY CHANNEL READ									
Set	1	2	3	4	5	6	7	8	9	10	P0 001-099 (Memory Channel), P1L -P9U (PMS), 5xx (5MHz BAND), EMG (EMERGENCY CH) P2 Frequency (Hz) P3 Clarifier Direction +: Plus Shift, -: Minus Shift Clarifier Offset: 0000 - 9990 (Hz) P4 0: RX CLAR "OFF" 1: RX CLAR "ON" P5 0: TX CLAR "OFF" 1: TX CLAR "ON" P6 MODE 1: LSB 2: USB 3: CW-U 4: FM 5: AM 6: RTTY-L 7: CW-L 8: DATA-L 9: RTTY-U A: DATA-FM B: FM-N C: DATA-U D: AM-N E: PSK F: DATA-FM-N P7 0: VFO 1: Memory P8 0: CTCSS "OFF" 1: CTCSS ENC/DEC 2: CTCSS ENC P9 00: (Fixed) P10 0: Simplex 1: Plus Shift 2: Minus Shift
Read	1	2	3	4	5	6	7	8	9	10	
	M	R	P0	P0	P0	;					
Answer	1	2	3	4	5	6	7	8	9	10	
	M	R	P1	P1	P1	P2	P2	P2	P2	P2	
	11	12	13	14	15	16	17	18	19	20	
	P2	P2	P2	P2	P3	P3	P3	P3	P3	P4	
	21	22	23	24	25	26	27	28	29	30	
	P5	P6	P7	P8	P9	P9	P10	;			

MS		METER SW									
Set	1	2	3	4	5	6	7	8	9	10	P1 0: PO P2 0: Fixed 1: COMP 2: ALC 3: VDD 4: ID 5: SWR
	M	S	P1	P2	;						
Read	1	2	3	4	5	6	7	8	9	10	
	M	S	;								
Answer	1	2	3	4	5	6	7	8	9	10	
	M	S	P1	P2	;						

MT		MEMORY CHANNEL WRITE/TAG									
Set	1	2	3	4	5	6	7	8	9	10	P0/1 001-099 (Memory Channel), P1L -P9U (PMS), 5xx (5MHz BAND), EMG (EMERGENCY CH) P2 Frequency (Hz) P3 Clarifier Direction +: Plus Shift, -: Minus Shift Clarifier Offset: 0000 - 9990 (Hz) P4 0: RX CLAR "OFF" 1: RX CLAR "ON" P5 0: TX CLAR "OFF" 1: TX CLAR "ON" P6 MODE 1: LSB 2: USB 3: CW-U 4: FM 5: AM 6: RTTY-L 7: CW-L 8: DATA-L 9: RTTY-U A: DATA-FM B: FM-N C: DATA-U D: AM-N E: PSK F: DATA-FM-N P7 Set: 0: (Fixed) / Read: 0: VFO 1: Memory P8 0: CTCSS "OFF" 1: CTCSS ENC/DEC 2: CTCSS ENC P9 00: (Fixed) P10 0: Simplex 1: Plus Shift 2: Minus Shift P11 0: (Fixed) P12 TAG Characters (up to 12 characters) (ASCII)
	M	T	P1	P1	P1	P2	P2	P2	P2	P2	
	11	12	13	14	15	16	17	18	19	20	
	P2	P2	P2	P2	P3	P3	P3	P3	P3	P4	
	21	22	23	24	25	26	27	28	29	30	
	P5	P6	P7	P8	P9	P9	P10	P11	P12	P12	
	31	32	33	34	35	36	37	38	39	40	
	P12	P12	P12	P12	P12	P12	P12	P12	P12	P12	
	41	42	43	44	45	46	47	48	49	50	
	;										
Read	1	2	3	4	5	6	7	8	9	10	
	M	T	P0	P0	P0	;					
Answer	1	2	3	4	5	6	7	8	9	10	
	M	T	P1	P1	P1	P2	P2	P2	P2	P2	
	11	12	13	14	15	16	17	18	19	20	
	P2	P2	P2	P2	P3	P3	P3	P3	P3	P4	
	21	22	23	24	25	26	27	28	29	30	
	P5	P6	P7	P8	P9	P9	P10	P11	P12	P12	
	31	32	33	34	35	36	37	38	39	40	
	P12	P12	P12	P12	P12	P12	P12	P12	P12	P12	
41	42	43	44	45	46	47	48	49	50		
;											

CAT (Computer Aided Transceiver) Operation

MW		MEMORY CHANNEL WRITE										
Set	1	2	3	4	5	6	7	8	9	10	P1 001-099 (Memory Channel), P1L-P9U (PMS) P2 Frequency (Hz) P3 Clarifier Direction +: Plus Shift, -: Minus Shift Clarifier Offset: 0000 - 9990 (Hz) P4 0: RX CLAR "OFF" 1: RX CLAR "ON" P5 0: TX CLAR "OFF" 1: TX CLAR "ON" P6 MODE 1: LSB 2: USB 3: CW-U 4: FM 5: AM 6: RTTY-L 7: CW-L 8: DATA-L 9: RTTY-U A: DATA-FM B: FM-N C: DATA-U D: AM-N E: PSK F: DATA-FM-N P7 0: (Fixed) P8 0: CTCSS "OFF" 1: CTCSS ENC/DEC 2: CTCSS ENC P9 00: (Fixed) P10 0: Simplex 1: Plus Shift 2: Minus Shift	
	M	W	P1	P1	P1	P2	P2	P2	P2	P2		P2
	11	12	13	14	15	16	17	18	19	20		
	P2	P2	P2	P2	P3	P3	P3	P3	P3	P4		
	21	22	23	24	25	26	27	28	29	30		
Read	P5	P6	P7	P8	P9	P9	P10	;				
	1	2	3	4	5	6	7	8	9	10		
Answer	1	2	3	4	5	6	7	8	9	10		

MX		MOX SET									
Set	1	2	3	4	5	6	7	8	9	10	P1 0: MOX "OFF" 1: MOX "ON"
	M	X	P1	;							
Read	1	2	3	4	5	6	7	8	9	10	
	M	X	;								
Answer	1	2	3	4	5	6	7	8	9	10	
	M	X	P1	;							

NA		NARROW									
Set	1	2	3	4	5	6	7	8	9	10	P1 0: Fixed P2 0: OFF 1: ON
	M	A	P1	P2	;						
Read	1	2	3	4	5	6	7	8	9	10	
	M	A	P1	;							
Answer	1	2	3	4	5	6	7	8	9	10	
	M	A	P1	P2	;						

NB		NOISE BLANKER STATUS									
Set	1	2	3	4	5	6	7	8	9	10	P1 0: Fixed P2 0: Noise Blanker "OFF" 1: Noise Blanker "ON"
	N	B	P1	P2	;						
Read	1	2	3	4	5	6	7	8	9	10	
	N	B	P1	;							
Answer	1	2	3	4	5	6	7	8	9	10	
	N	B	P1	P2	;						

NL		NOISE BLANKER LEVEL									
Set	1	2	3	4	5	6	7	8	9	10	P1 0: Fixed P2 000 - 010
	N	L	P1	P2	P2	P2	;				
Read	1	2	3	4	5	6	7	8	9	10	
	N	L	P1	;							
Answer	1	2	3	4	5	6	7	8	9	10	
	N	L	P1	P2	P2	P2	;				

NR		NOISE REDUCTION									
Set	1	2	3	4	5	6	7	8	9	10	P1 0: Fixed P2 0: Noise Reduction "OFF" 1: Noise Reduction "ON"
	N	R	P1	P2	;						
Read	1	2	3	4	5	6	7	8	9	10	
	N	R	P1	;							
Answer	1	2	3	4	5	6	7	8	9	10	
	N	R	P1	P2	;						

CAT (Computer Aided Transceiver) Operation

OI	OPPOSITE BAND INFORMATION										
Set	1	2	3	4	5	6	7	8	9	10	P1 001-099 (Memory Channel), P1L -P9U (PMS), 5xx (5MHz BAND), EMG (EMERGENCY CH) P2 VFO-B Frequency (Hz) P3 Clarifier Direction +: Plus Shift, -: Minus Shift Clarifier Offset: 0000 - 9990 (Hz) P4 0: RX CLAR "OFF" 1: RX CLAR "ON" P5 0: TX CLAR "OFF" 1: TX CLAR "ON" P6 MODE 1: LSB 2: USB 3: CW-U 4: FM 5: AM 6: RTTY-L 7: CW-L 8: DATA-L 9: RTTY-U A: DATA-FM B: FM-N C: DATA-U D: AM-N E: PSK E: DATA-FM-N P7 0: VFO 1: Memory 2: Memory Tune 3: Quick Memory Bank (QMB) 4: - 5: PMS P8 0: CTCSS "OFF" 1: CTCSS ENC/DEC 2: CTCSS ENC P9 00: (Fixed) P10 0: Simplex 1: Plus Shift 2: Minus Shift
Read	1	2	3	4	5	6	7	8	9	10	
Answer	O	I	;								
	1	2	3	4	5	6	7	8	9	10	
	O	I	P1	P1	P1	P2	P2	P2	P2	P2	
	11	12	13	14	15	16	17	18	19	20	
	P2	P2	P2	P2	P3	P3	P3	P3	P3	P4	
	21	22	23	24	25	26	27	28	29	30	
	P5	P6	P7	P8	P9	P10	;				

OS	OFFSET (REPEATER SHIFT)										
Set	1	2	3	4	5	6	7	8	9	10	P1 0: MAIN Band 1: SUB Band P2 0: Simplex 1: Plus Shift 2: Minus Shift *: This command can be activated only with an FM mode.
Read	1	2	3	4	5	6	7	8	9	10	
Answer	O	S	P1	;							
	1	2	3	4	5	6	7	8	9	10	
	O	S	P1	P2	;						

PA	PRE-AMP (IPO)										
Set	1	2	3	4	5	6	7	8	9	10	P1 0: Fixed P2 0: IPO 1: AMP 1 2: AMP 2
Read	1	2	3	4	5	6	7	8	9	10	
Answer	P	A	P1	P2	;						
	1	2	3	4	5	6	7	8	9	10	
	P	A	P1	P2	;						


PB	PLAY BACK										
Set	1	2	3	4	5	6	7	8	9	10	P1 0: Fixed P2 0: DVS (Playback Stop) 1: DVS (CH "1" Playback Start) 2: DVS (CH "2" Playback Start) 3: DVS (CH "3" Playback Start) 4: DVS (CH "4" Playback Start) 5: DVS (CH "5" Playback Start)
Read	1	2	3	4	5	6	7	8	9	10	
Answer	P	B	P1	P2	;						
	1	2	3	4	5	6	7	8	9	10	
	P	B	P1	P2	;						

PC	POWER CONTROL										
Set	1	2	3	4	5	6	7	8	9	10	P1 005 - 100
Read	1	2	3	4	5	6	7	8	9	10	
Answer	P	C	P1	P1	P1	;					
	1	2	3	4	5	6	7	8	9	10	
	P	C	P1	P1	P1	;					

PL	SPEECH PROCESSOR LEVEL										
Set	1	2	3	4	5	6	7	8	9	10	P1 000 -100
Read	1	2	3	4	5	6	7	8	9	10	
Answer	P	L	P1	P1	P1	;					
	1	2	3	4	5	6	7	8	9	10	
	P	L	P1	P1	P1	;					

PR	SPEECH PROCESSOR										
Set	1	2	3	4	5	6	7	8	9	10	P1 0: Speech Processor 1: Parametric Microphone Equalizer P2 1: "OFF" 2: "ON"
Read	1	2	3	4	5	6	7	8	9	10	
Answer	P	R	P1	P2	;						
	1	2	3	4	5	6	7	8	9	10	
	P	R	P1	P2	;						

CAT (Computer Aided Transceiver) Operation

PS		POWER SWITCH									
Set	1	2	3	4	5	6	7	8	9	10	P1 0: POWER "OFF" 1: POWER "ON" This command requires dummy data be initially sent. Then after one second and before two seconds the command is sent. (For example, Send "PS1;" command, wait 1 second, and then Send "PS1;" command again within 2 seconds.)
	P	S	P1	;							
Read	1	2	3	4	5	6	7	8	9	10	
	P	S	;								
Answer	1	2	3	4	5	6	7	8	9	10	 When using an RS-232C cable, the PS command (POWER SWITCH) is not available, so the transceiver cannot be turned ON with the CAT command.
	P	S	P1	;							

QI		QMB STORE									
Set	1	2	3	4	5	6	7	8	9	10	
	Q	I	;								
Read	1	2	3	4	5	6	7	8	9	10	
Answer	1	2	3	4	5	6	7	8	9	10	

QR		QMB RECALL									
Set	1	2	3	4	5	6	7	8	9	10	
	Q	R	;								
Read	1	2	3	4	5	6	7	8	9	10	
Answer	1	2	3	4	5	6	7	8	9	10	

QS		QUICK SPLIT									
Set	1	2	3	4	5	6	7	8	9	10	
	Q	S	;								
Read	1	2	3	4	5	6	7	8	9	10	
Answer	1	2	3	4	5	6	7	8	9	10	

RA		RF ATTENUATOR									
Set	1	2	3	4	5	6	7	8	9	10	P1 0: Fixed P2 0: OFF 1: 6dB 2: 12dB 3: 18dB
	R	A	P1	P2	;						
Read	1	2	3	4	5	6	7	8	9	10	
	R	A	P1	;							
Answer	1	2	3	4	5	6	7	8	9	10	
	R	A	P1	P2	;						

RC		CLAR CLEAR									
Set	1	2	3	4	5	6	7	8	9	10	
	R	C	;								
Read	1	2	3	4	5	6	7	8	9	10	
Answer	1	2	3	4	5	6	7	8	9	10	

RD		CLAR DOWN									
Set	1	2	3	4	5	6	7	8	9	10	P1 0000 - 9990 (Hz)
	R	D	P1	P1	P1	P1	;				
Read	1	2	3	4	5	6	7	8	9	10	
Answer	1	2	3	4	5	6	7	8	9	10	

RF		ROOFING FILTER									
Set	1	2	3	4	5	6	7	8	9	10	P1 0: Fixed P2 1: 12 kHz 2: 3 kHz 3: - 4: 500 Hz 5: 300 Hz (option) P3: 6: 12 kHz 7: 3 kHz 8: - 9: 500 Hz A: 300 Hz
	R	F	P1	P2	;						
Read	1	2	3	4	5	6	7	8	9	10	
	R	F	P1	;							
Answer	1	2	3	4	5	6	7	8	9	10	
	R	F	P1	P3	;						

CAT (Computer Aided Transceiver) Operation

RG	RF GAIN										
Set	1	2	3	4	5	6	7	8	9	10	P1 0: Fixed P2 000 - 255
	R	G	P1	P2	P2	P2	;				
Read	1	2	3	4	5	6	7	8	9	10	
	R	G	P1	;							
Answer	1	2	3	4	5	6	7	8	9	10	
	R	G	P1	P2	P2	P2	;				

RI	RADIO INFORMATION										
Set	1	2	3	4	5	6	7	8	9	10	P1 0: HI-SWR 1: - 2: - 3: REC 4: PLAY 5 - C: - D: Unable to transmission
Read	1	2	3	4	5	6	7	8	9	10	
	R	I	P1	;							
Answer	1	2	3	4	5	6	7	8	9	10	
	R	I	P1	P2	;						

RL	NOISE REDUCTION LEVEL										
Set	1	2	3	4	5	6	7	8	9	10	P1 0: Fixed P2 01 - 15
	R	L	P1	P2	P2	;					
Read	1	2	3	4	5	6	7	8	9	10	
	R	L	P1	;							
Answer	1	2	3	4	5	6	7	8	9	10	
	R	L	P1	P2	P2	;					

RM	READ METER										
Set	1	2	3	4	5	6	7	8	9	10	P1=0 P2: Meter 0 - 255 P3: 000 (Fixed) P1= 1: S 2: - 3: COMP 4: ALC 5: PO 6: SWR 7: IDD 8: VDD 9: - P2: 0 - 255 P3: 000 (Fixed)
Read	1	2	3	4	5	6	7	8	9	10	
	R	M	P1	;							
Answer	1	2	3	4	5	6	7	8	9	10	
	R	M	P1	P2	P2	P2	P3	P3	P3	;	

RS	RADIO STATUS										
Set	1	2	3	4	5	6	7	8	9	10	P1 0: NORMAL MODE 1: MENU MODE
Read	1	2	3	4	5	6	7	8	9	10	
	R	S	;								
Answer	1	2	3	4	5	6	7	8	9	10	
	R	S	P1	;							

RT	CLAR										
Set	1	2	3	4	5	6	7	8	9	10	P1 0: RX Clarifier "OFF" 1: RX Clarifier "ON"
	R	T	P1	;							
Read	1	2	3	4	5	6	7	8	9	10	
	R	T	;								
Answer	1	2	3	4	5	6	7	8	9	10	
	R	T	P1	;							

RU	RX CLARIFIER PLUS OFFSET										
Set	1	2	3	4	5	6	7	8	9	10	P1 0000 - 9990 (Hz)
	R	U	P1	P1	P1	P1	;				
Read	1	2	3	4	5	6	7	8	9	10	
Answer	1	2	3	4	5	6	7	8	9	10	

SC	SCAN										
Set	1	2	3	4	5	6	7	8	9	10	P1 0: Scan "OFF" 1: Scan "ON" (UP ward) 2: Scan "ON" (DOWN ward)
	S	C	P1	;							
Read	1	2	3	4	5	6	7	8	9	10	
	S	C	;								
Answer	1	2	3	4	5	6	7	8	9	10	
	S	C	P1	;							

CAT (Computer Aided Transceiver) Operation

SD	CW BREAK-IN DELAY TIME										
Set	1	2	3	4	5	6	7	8	9	10	00: 30 01: 50 02: 100 03: 150 04: 200 05: 250 06: 300 07: 400 - 32: 2900 33: 3000 (msec) (06 to 33: 100 msec steps)
	S	D	P1	P1	;						
Read	1	2	3	4	5	6	7	8	9	10	
	S	D	;								
Answer	1	2	3	4	5	6	7	8	9	10	
	S	D	P1	P1	;						

SF	SUB DIAL FUNCTION										
Set	1	2	3	4	5	6	7	8	9	10	P1 0: MPVD 1: FUNC knob P2 P1=0 1: CLAR 2: - 3: SUB 4: CS 5:- 6: - 7: - 8: STEP 9: MCH P1=1 0: RF POWER 1: MONI LEVEL 2: - 3: - 4: VOX GAIN 5: VOX DELAY 6: ANTI VOX 7: - 8: - 9: GROUP A: - B: - C: PEAK D: COLOR E: S.LEVEL F: PROC LEVEL G: MIC GAIN H: CW SPEED I: CW PITCH J: BK-IN DELAY K: AMC LEVEL L: - M: CONTRAST N: DIMMER
	S	F	P1	P2	;						
Read	1	2	3	4	5	6	7	8	9	10	
	S	F	P1	;							
Answer	1	2	3	4	5	6	7	8	9	10	
	S	F	P1	P2	;						

SH	WIDTH										
Set	1	2	3	4	5	6	7	8	9	10	P1 0: Fixed P2 0: Fixed P3 00 -23 (See Table 3)
	S	H	P1	P2	P3	P3	;				
Read	1	2	3	4	5	6	7	8	9	10	
	S	H	P1	;							
Answer	1	2	3	4	5	6	7	8	9	10	
	S	H	P1	P2	P3	P3	;				

Command	Bandwidth			
	P3	SSB	CW	PSK
00 (Default)	(Default)*	(Default)*	(Default)*	(Default)*
01	300 Hz	50 Hz	50 Hz	50 Hz
02	400 Hz	100 Hz	100 Hz	100 Hz
03	600 Hz	150 Hz	150 Hz	150 Hz
04	850 Hz	200 Hz	200 Hz	200 Hz
05	1100 Hz	250 Hz	250 Hz	250 Hz
06	1200 Hz	300 Hz	300 Hz	300 Hz
07	1500 Hz	350 Hz	350 Hz	350 Hz
08	1650 Hz	400 Hz	400 Hz	400 Hz
09	1800 Hz	450 Hz	450 Hz	450 Hz
10	1950 Hz	500 Hz	500 Hz	500 Hz
11	2100 Hz	600 Hz	600 Hz	600 Hz
12	2250 Hz	800 Hz	800 Hz	800 Hz
13	2400 Hz	1200 Hz	1200 Hz	1200 Hz
14	2450 Hz	1400 Hz	1400 Hz	1400 Hz
15	2500 Hz	1700 Hz	1700 Hz	1700 Hz
16	2600 Hz	2000 Hz	2000 Hz	2000 Hz
17	2700 Hz	2400 Hz	2400 Hz	2400 Hz
18	2800 Hz	3000 Hz	3000 Hz	3000 Hz
19	2900 Hz	-	-	-
20	3000 Hz	-	-	-
21	3200 Hz	-	-	-
22	3500 Hz	-	-	-
23	4000 Hz	-	-	-

*(The default bandwidth varies depending on the selected roofing filter.)

SM	S-METER READING										
Set	1	2	3	4	5	6	7	8	9	10	P1 0: Fixed P2 000 - 255
	S	M	P1	;							
Read	1	2	3	4	5	6	7	8	9	10	
	S	M	P1	;							
Answer	1	2	3	4	5	6	7	8	9	10	
	S	M	P1	P2	P2	P2	;				

SQ	SQUELCH LEVEL										
Set	1	2	3	4	5	6	7	8	9	10	P1 0: Fixed P2 000 - 100
	S	Q	P1	P2	P2	P2	;				
Read	1	2	3	4	5	6	7	8	9	10	
	S	Q	P1	;							
Answer	1	2	3	4	5	6	7	8	9	10	
	S	Q	P1	P2	P2	P2	;				

CAT (Computer Aided Transceiver) Operation

SS		SPECTRUM SCOPE									
Set	1	2	3	4	5	6	7	8	9	10	P1 0: Fixed P2 0: SPEED 1: PEAK 2: MARKER 3: COLOR 4: LEVEL 5: SPAN 6: MODE 7: AF-FFT/OSCILLOSCOPE 8: HOLD P2=0 (SPEED): P3 0: SLOW1 1: SLOW2 2: FAST1 3: FAST2 4: FAST3 P4 - P7: 0: Fixed P2=1 (PEAK): P3 0: LV1 1: LV2 2: LV3 3: LV4 4: LV5 P4 - P7: 0: Fixed P2=2 (MARKER): P3 0: MARKER "OFF" 1: MARKER "ON" P4 - P7: 0: Fixed P2=3 (COLOR): P3 0: COLOR-1 - A: COLOR-11 (DIRECT SAMPLING) P4 - P7: 0: Fixed P2=4 (LEVEL): P3 - P7: -30.0 - +30.0 (0.5 dB step) P2=5 (SPAN): P3 0: 1 kHz 1: 2 kHz 2: 5 kHz 3: 10 kHz 4: 20 kHz 5: 50 kHz 6: 100 kHz 7: 200 kHz 8: 500 kHz 9: 1 MHz P4 - P7: 0: Fixed P2=6 (MODE): P3 0: 3DSS CENTER 1: 3DSS CURSOR 2: 3DSS FIX 3: W/F CENTER (L) 4: W/F CENTER (N) 5: W/F CENTER (S) 6: W/F CURSOR (L) 7: W/F CURSOR (N) 8: W/F CURSOR (S) 9: W/F FIX (L) A: W/F FIX (N) B: W/F FIX (S) P4 - P7: 0: Fixed P2=7 (AF-FFT/OSCILLOSCOPE): P3 0: AF-FFT (ATT=0dB) 1: AF-FFT (ATT=10dB) 2: AF-FFT (ATT=20dB) P4 0: OSC Level (ATT=0dB) 1: OSC Level (ATT=10dB) 2: OSC Level (ATT=20dB) P5 0: OSC Time (1msec) 1: OSC Time (3msec) 2: OSC Time (10msec) 3: OSC Time (30msec) 4: OSC Time (100msec) 5: OSC Time (300msec) P6 - P7: 0: Fixed P2=8 (HOLD): P3 0: HOLD "OFF" 1: HOLD "ON" P4 - P7: 0: Fixed
	S	S	P1	P2	P3	P4	P5	P6	P7	;	
Read	1	2	3	4	5	6	7	8	9	10	
	S	S	P1	P2	;						
Answer	1	2	3	4	5	6	7	8	9	10	
	S	S	P1	P2	P3	P4	P5	P6	P7	;	

ST		SPLIT									
Set	1	2	3	4	5	6	7	8	9	10	P1 0: SPLIT "OFF" 1: SPLIT "ON" 2: SPLIT "ON" + 5 kHz Up
	S	T	P1	;							
Read	1	2	3	4	5	6	7	8	9	10	
	S	T	;								
Answer	1	2	3	4	5	6	7	8	9	10	
	S	T	P1	;							

SV		SWAP VFO									
Set	1	2	3	4	5	6	7	8	9	10	Changes the VFO-A and VFO-B
	S	V	;								
Read	1	2	3	4	5	6	7	8	9	10	
Answer	1	2	3	4	5	6	7	8	9	10	

TS		TXW									
Set	1	2	3	4	5	6	7	8	9	10	P1 0: TXW "OFF" 1: TXW "ON"
	T	S	P1	;							
Read	1	2	3	4	5	6	7	8	9	10	
	T	S	;								
Answer	1	2	3	4	5	6	7	8	9	10	
	T	S	P1	;							

TX		TX SET									
Set	1	2	3	4	5	6	7	8	9	10	P1 0: RADIO TX "OFF" CAT TX "OFF" 1: RADIO TX "OFF" CAT TX "ON" 2: RADIO TX "ON" CAT TX "OFF" (Answer)
	T	X	P1	;							
Read	1	2	3	4	5	6	7	8	9	10	
	T	X	;								
Answer	1	2	3	4	5	6	7	8	9	10	
	T	X	P1	;							

CAT (Computer Aided Transceiver) Operation

UP		MIC UP									
Set	1	2	3	4	5	6	7	8	9	10	
	U	P	;								
Read	1	2	3	4	5	6	7	8	9	10	
Answer	1	2	3	4	5	6	7	8	9	10	

VD		VOX DELAY TIME / DATA VOX DELAY TIME									
Set	1	2	3	4	5	6	7	8	9	10	P1 00: 30 msec 01: 50 msec 02: 100 msec 03: 150 msec 04: 200 msec 05: 250 msec 06: 300 msec - 33: 3000 msec (06 - 33: 10 msec multiples) VD command has different parameters to be changed according to the setting of Menu item [OPERATION SETTING] → [TX GENERAL] → [VOX SELECT]. "MIC": VOX DELAY "DATA": DATA VOX DELAY
	V	D	P1	P1	P1	P1	;				
Read	1	2	3	4	5	6	7	8	9	10	
	V	D	;								
Answer	1	2	3	4	5	6	7	8	9	10	
	V	D	P1	P1	P1	P1	;				

VG		VOX GAIN									
Set	1	2	3	4	5	6	7	8	9	10	P1 000 - 100
	V	G	P1	P1	P1	;					
Read	1	2	3	4	5	6	7	8	9	10	
	V	G	;								
Answer	1	2	3	4	5	6	7	8	9	10	
	V	G	P1	P1	P1	;					

VM		MAIN BAND TO MEMORY CHANNEL									
Set	1	2	3	4	5	6	7	8	9	10	
	V	M	;			;					
Read	1	2	3	4	5	6	7	8	9	10	
Answer	1	2	3	4	5	6	7	8	9	10	

VS		VFO SELECT									
Set	1	2	3	4	5	6	7	8	9	10	P1 0: VFO-A Operation 1: VFO-B Operation
	V	S	P1	;							
Read	1	2	3	4	5	6	7	8	9	10	
	V	S	;								
Answer	1	2	3	4	5	6	7	8	9	10	
	V	S	P1	;							

VX		VOX STATUS									
Set	1	2	3	4	5	6	7	8	9	10	P1 0: VOX "OFF" 1: VOX "ON"
	V	X	P1	;		;					
Read	1	2	3	4	5	6	7	8	9	10	
	V	X	;								
Answer	1	2	3	4	5	6	7	8	9	10	
	V	X	P1	;							

XT		TX CLAR									
Set	1	2	3	4	5	6	7	8	9	10	P1 0: TX CLAR "OFF" 1: TX CLAR "ON"
	X	T	P1	;							
Read	1	2	3	4	5	6	7	8	9	10	
	X	T	;								
Answer	1	2	3	4	5	6	7	8	9	10	
	X	T	P1	;							

ZI		ZERO IN									
Set	1	2	3	4	5	6	7	8	9	10	(CW AUTO ZERO IN Function) P1 0: Fixed
	Z	I	P1	;							
Read	1	2	3	4	5	6	7	8	9	10	
Answer	1	2	3	4	5	6	7	8	9	10	



Copyright 2021
YAESU MUSEN CO., LTD.
All rights reserved.

No portion of this manual may be
reproduced without the permission of
YAESU MUSEN CO., LTD.

YAESU MUSEN CO., LTD.

Tennozu Parkside Building
2-5-8 Higashi-Shinagawa, Shinagawa-ku, Tokyo 140-0002 Japan

YAESU USA

6125 Phyllis Drive, Cypress, CA 90630, U.S.A.

YAESU UK

Unit 12, Sun Valley Business Park, Winnall Close
Winchester, Hampshire, SO23 0LB, U.K.